



US00D654597S

(12) **United States Design Patent**
Hiramura

(10) **Patent No.:** **US D654,597 S**

(45) **Date of Patent:** **** Feb. 21, 2012**

(54) **DATA READING DEVICE**

(75) Inventor: **Fumito Hiramura**, Kyoto (JP)

(73) Assignee: **Arkray, Inc.** (JP)

(**) Term: **14 Years**

(21) Appl. No.: **29/368,269**

(22) Filed: **Aug. 20, 2010**

(30) **Foreign Application Priority Data**

Feb. 23, 2010 (JP) D2010-004104

(51) **LOC (9) Cl.** **24-01**

(52) **U.S. Cl.** **D24/186**

(58) **Field of Classification Search** D24/107,
D24/150, 158-161, 172, 183, 185, 216-234,
D24/169; D10/81, 97; D16/131; 128/645-652,
128/303.1, 395, 630, 662; 606/2, 4-6, 10-11;
378/19, 197

See application file for complete search history.

(56) **References Cited**

U.S. PATENT DOCUMENTS

D414,870 S *	10/1999	Saltzstein et al.	D24/186
D452,012 S *	12/2001	Phillips	D24/186
D535,031 S *	1/2007	Barrett et al.	D24/186
D547,454 S *	7/2007	Hsieh	D24/186
D569,001 S *	5/2008	Omaki	D24/186
D569,521 S *	5/2008	Omaki	D24/186
D598,113 S *	8/2009	Flaction et al.	D24/187
D603,968 S *	11/2009	Brefka	D24/186
D606,659 S *	12/2009	Kiani et al.	D24/186
D621,515 S *	8/2010	Chua et al.	D24/186
D623,754 S *	9/2010	Tuhkanen	D24/186

D629,113 S *	12/2010	Wodecki	D24/186
D634,435 S *	3/2011	Chua et al.	D24/186
D639,434 S *	6/2011	Wodecki et al.	D24/160

* cited by examiner

Primary Examiner — T. Chase Nelson

Assistant Examiner — Mark Cavanna

(74) *Attorney, Agent, or Firm* — Studebaker & Brackett PC;
Donald R. Studebaker

(57) **CLAIM**

The ornamental design for a data reading device, as shown and described.

DESCRIPTION

FIG. 1 is a top frontal perspective view of the data reading device;

FIG. 2 is a bottom frontal perspective view of the data reading device;

FIG. 3 is a top view of the data reading device;

FIG. 4 is a bottom view of the data reading device;

FIG. 5 is a front view of the data reading device;

FIG. 6 is a rear view of the data reading device;

FIG. 7 is a right side view of the data reading device;

FIG. 8 is a left side view of the data reading device;

FIG. 9 is a perspective view of the data reading device in a use state;

FIG. 10 is a perspective view of the data reading device in a further use state; and,

FIG. 11 is a top view of the data reading device in an extended state.

The broken lines showing a measuring device in FIG. 9 and a measuring device and charging device in FIG. 10 are for the purpose of illustrating unclaimed portions of the design and form no part of the claimed design.

1 Claim, 6 Drawing Sheets

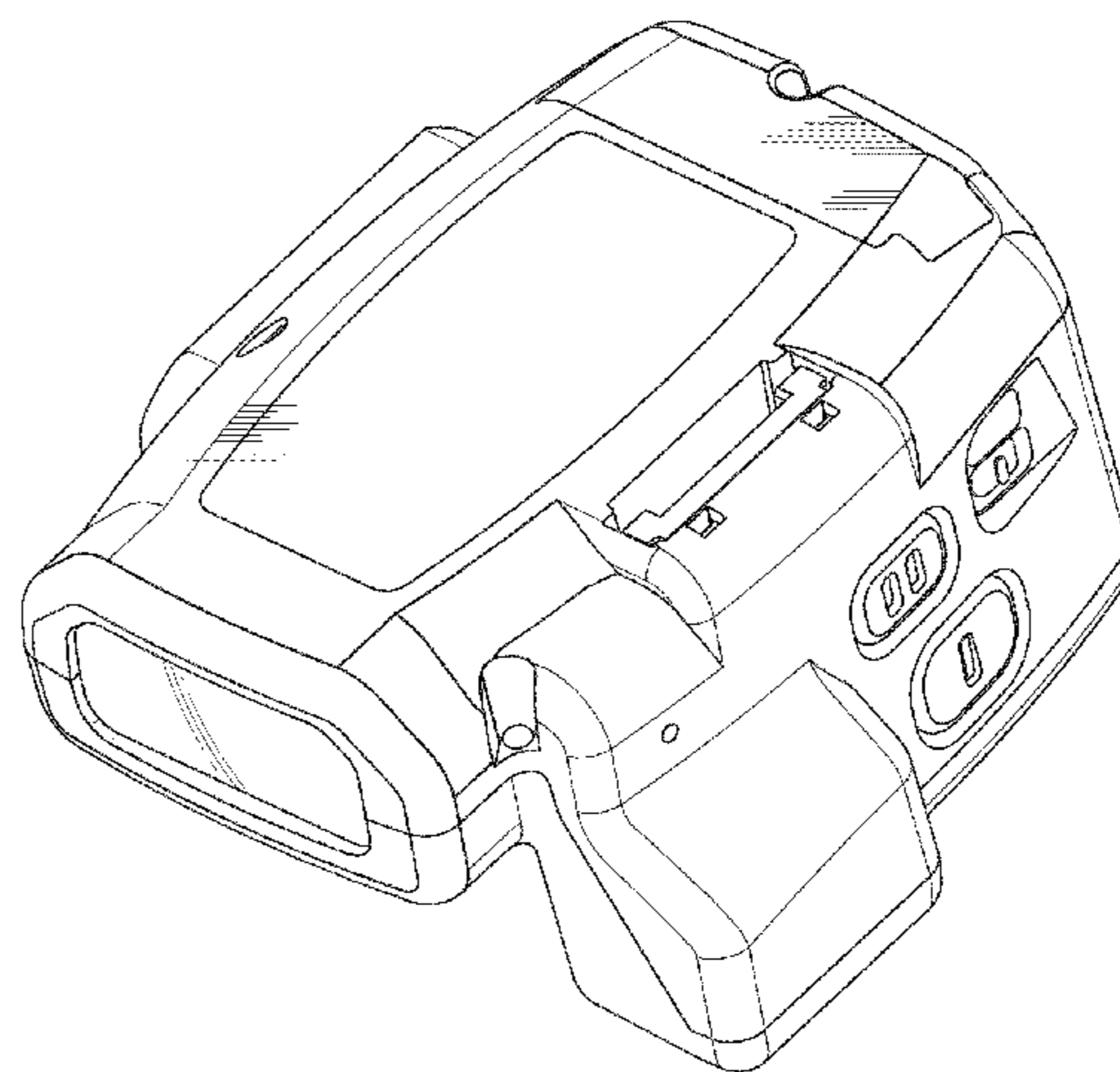
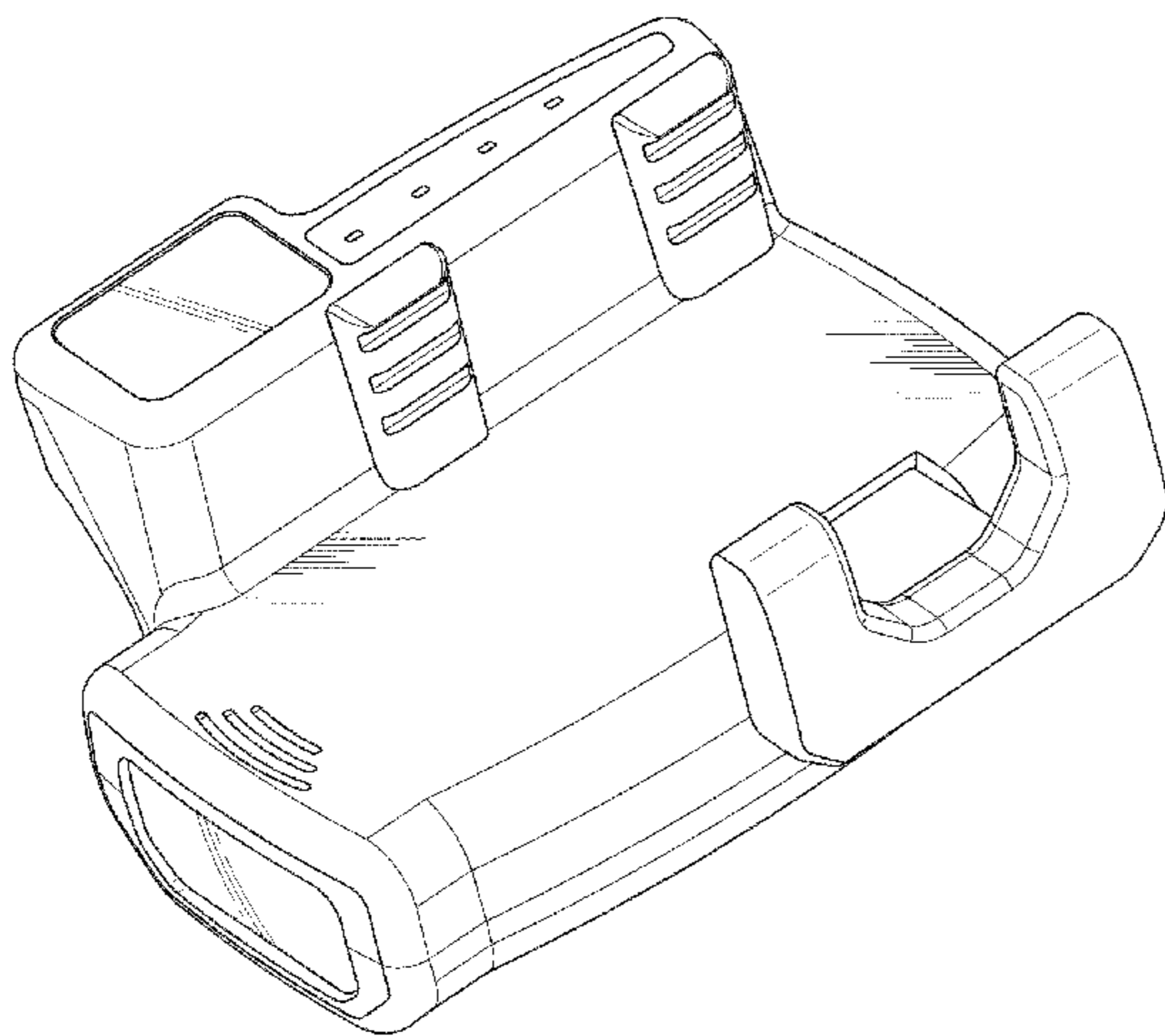


FIG. 1

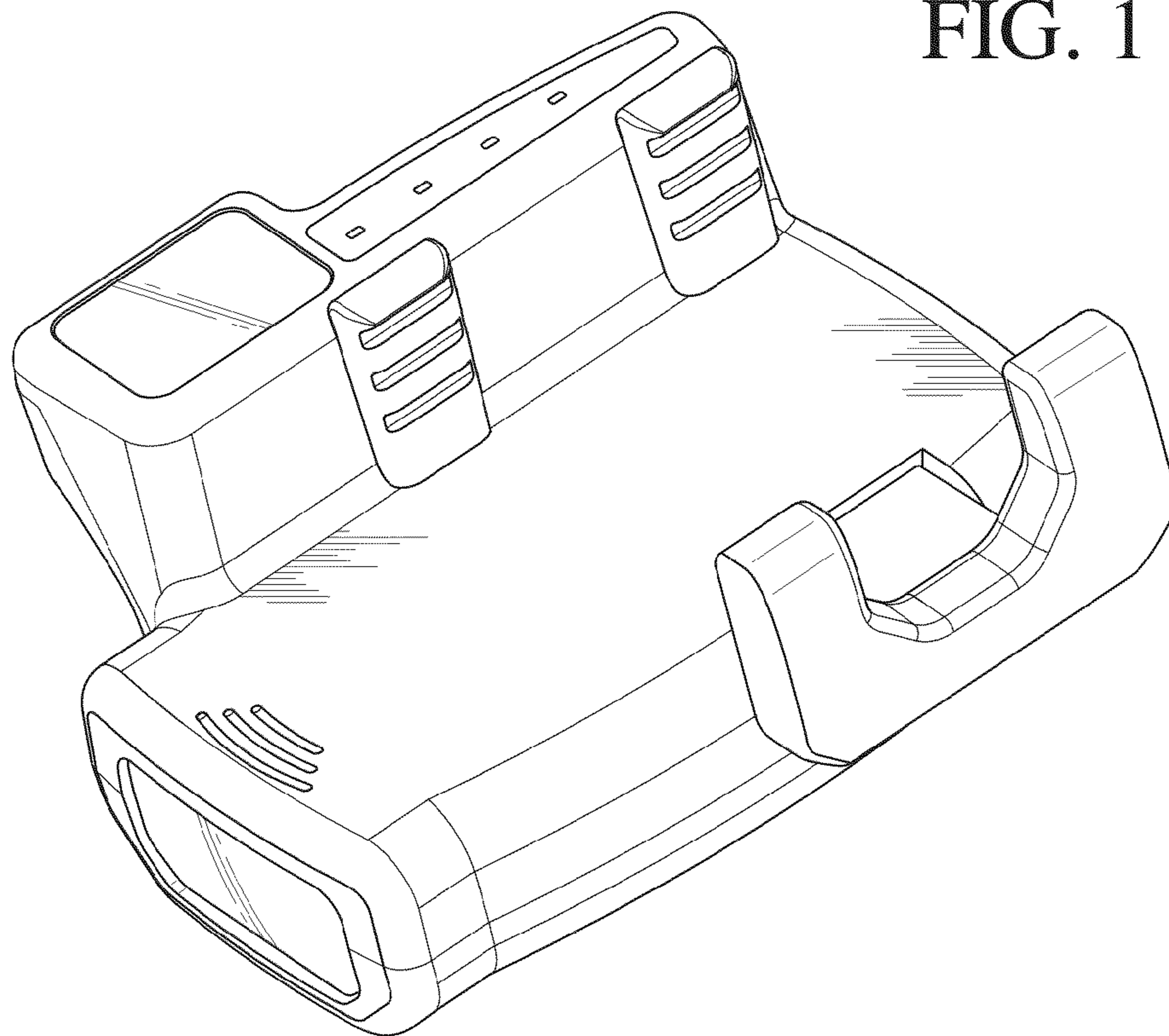


FIG. 2

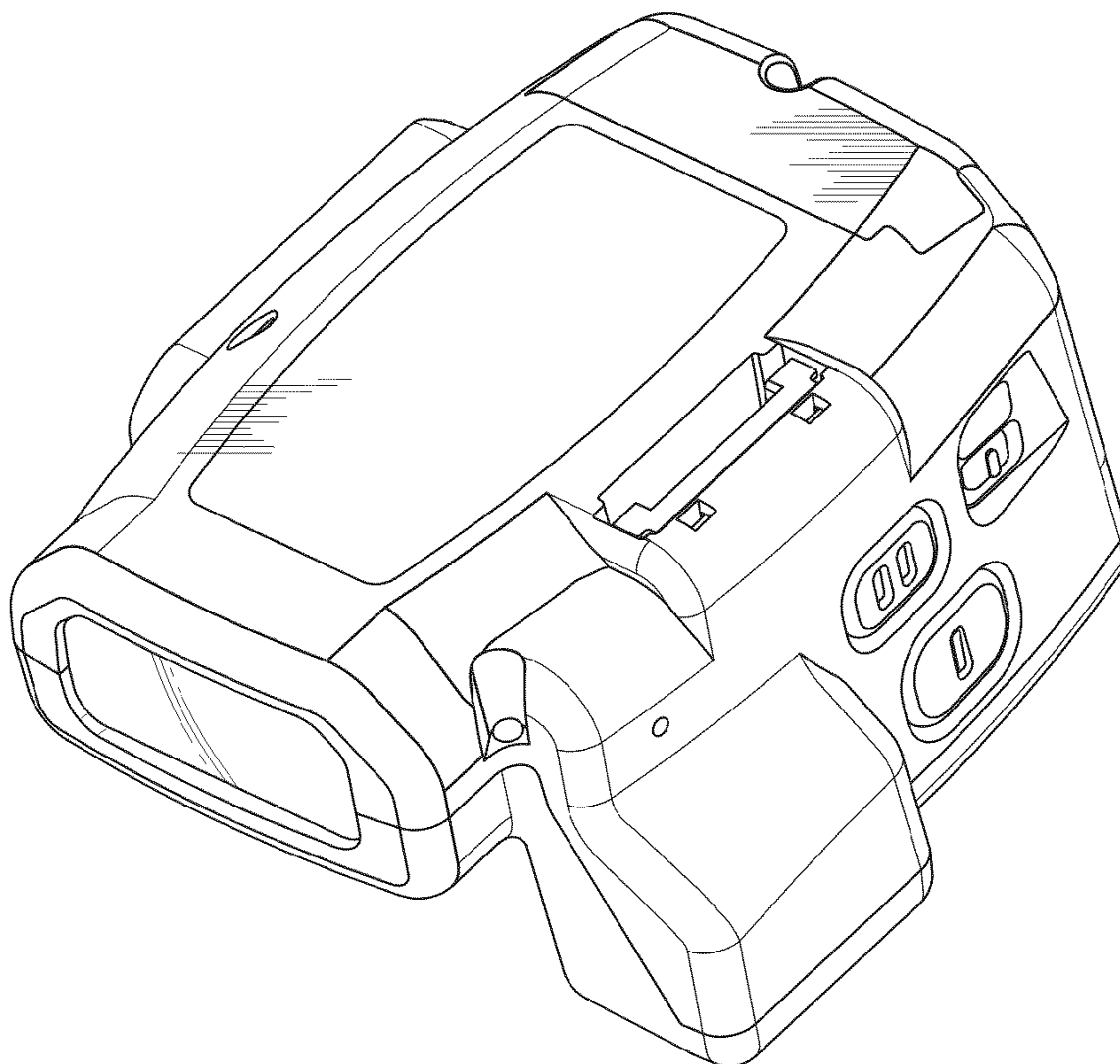


FIG. 3

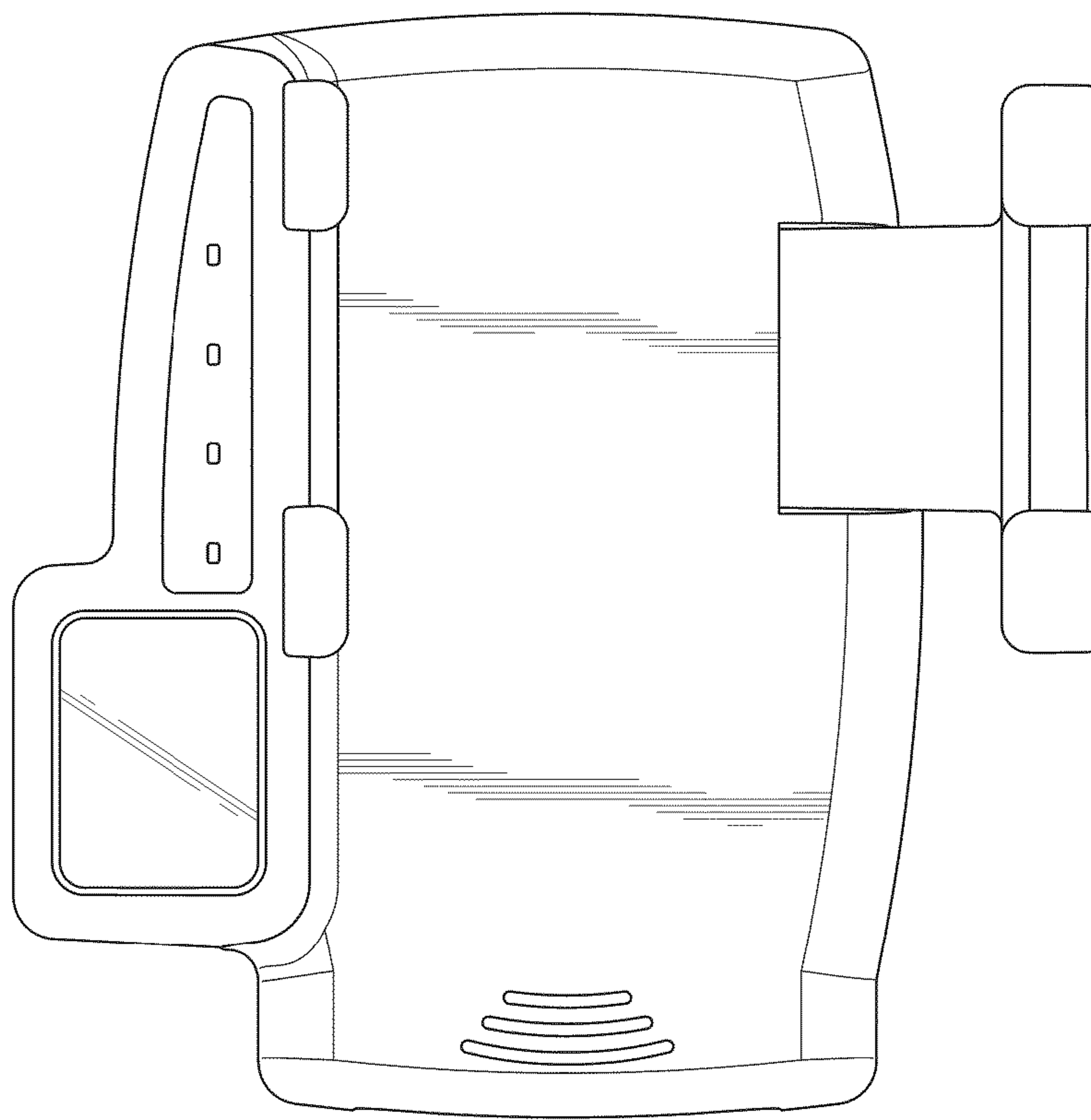
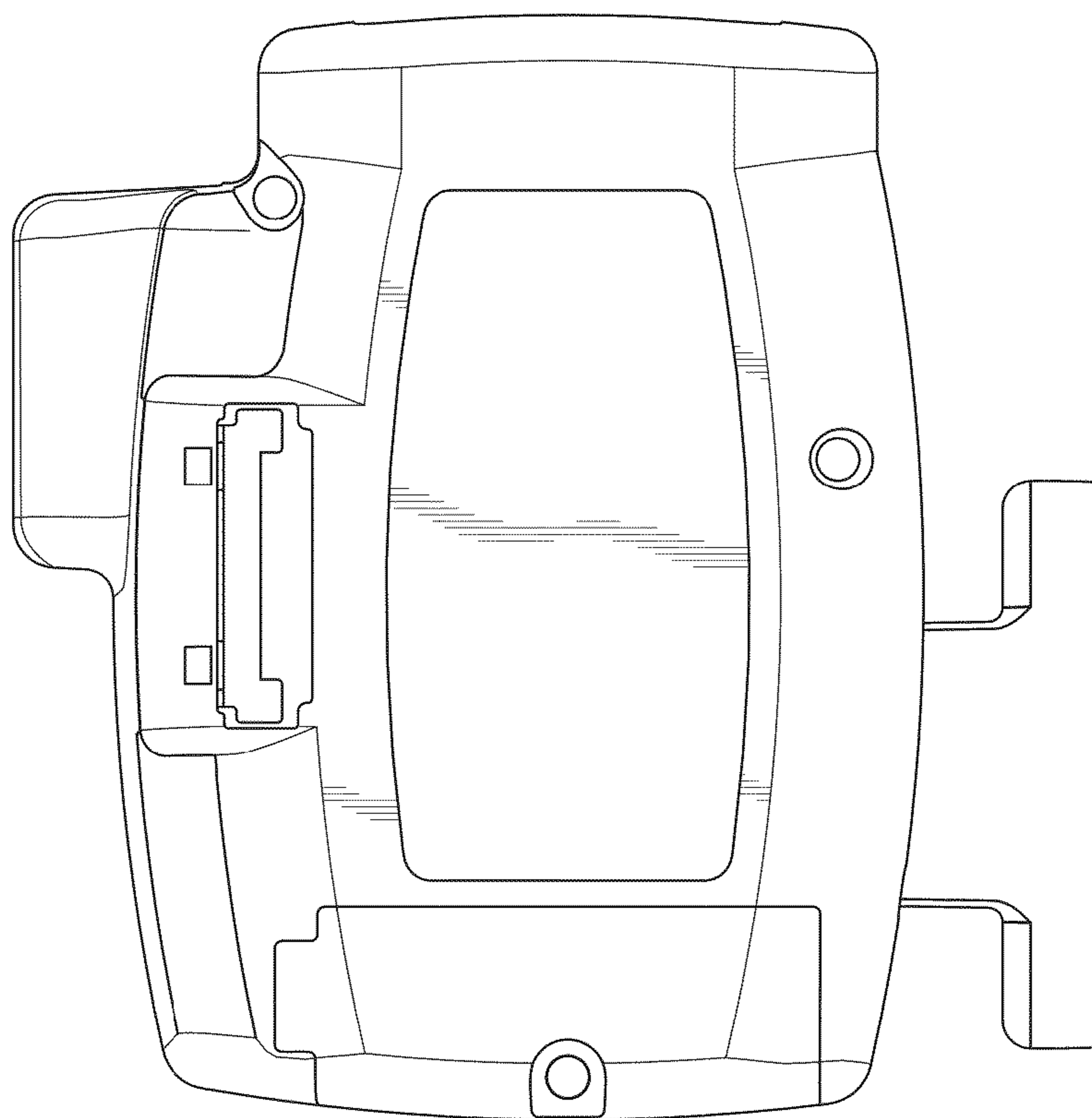


FIG. 4



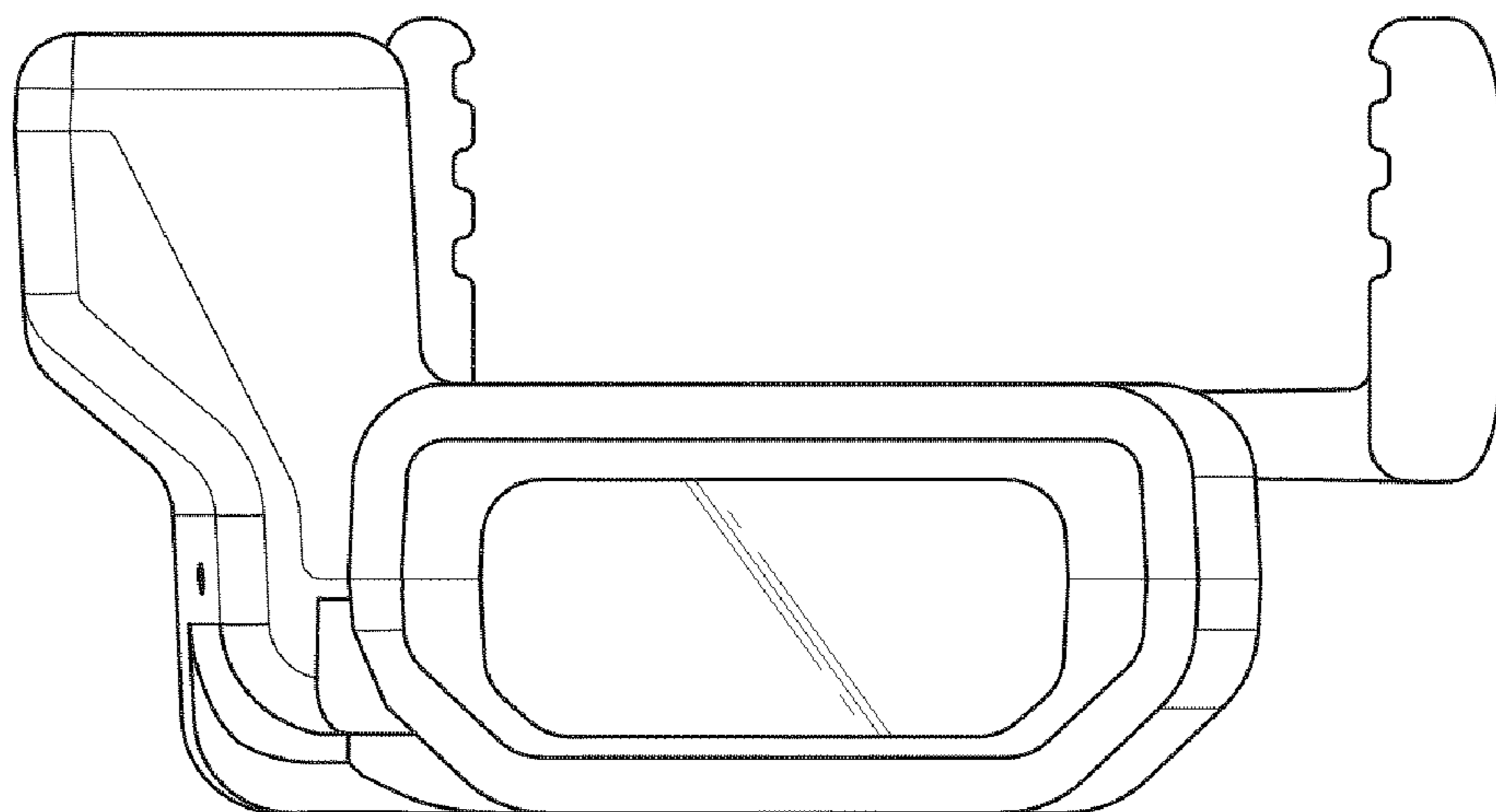


FIG. 5

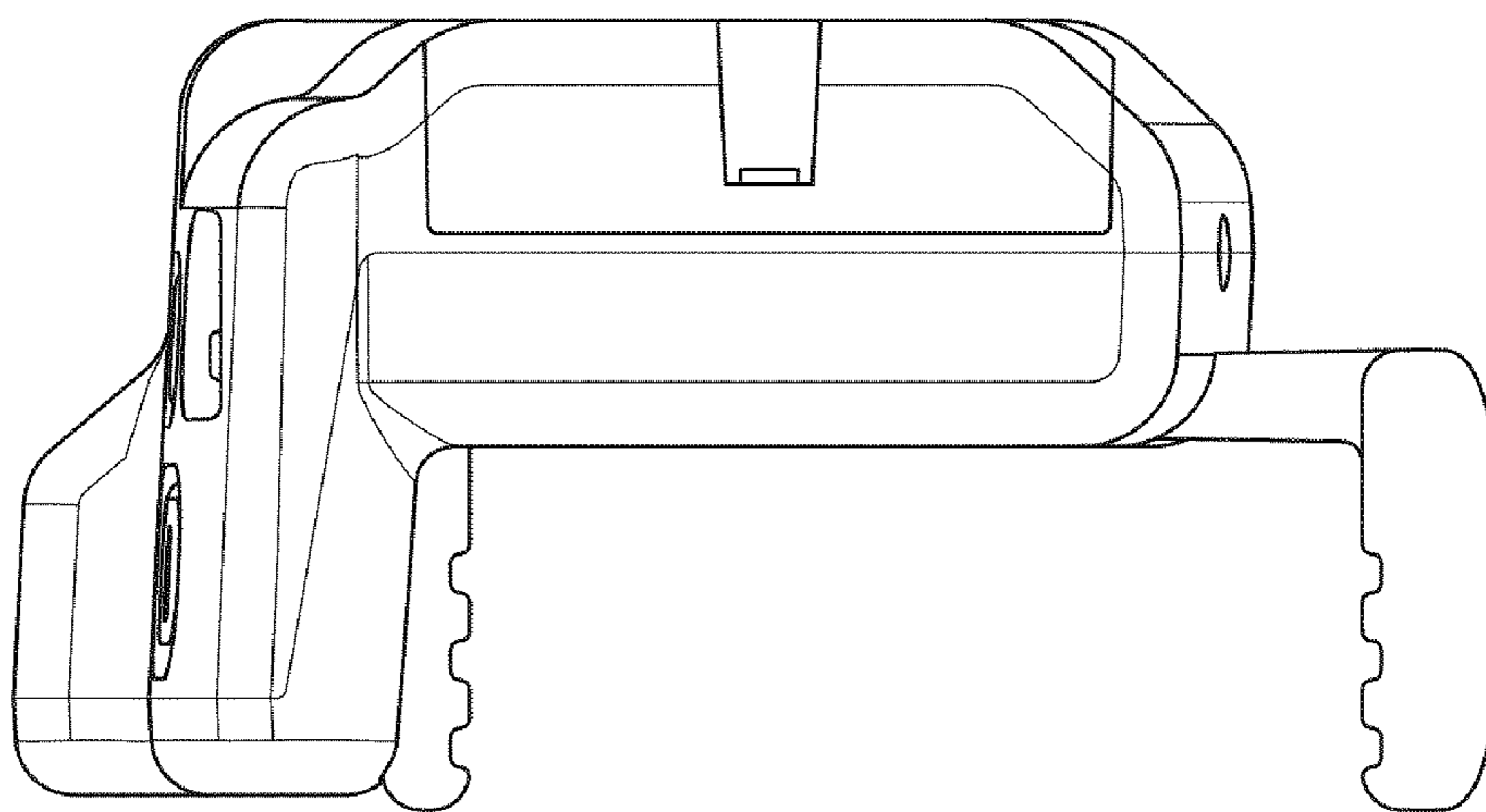


FIG. 6

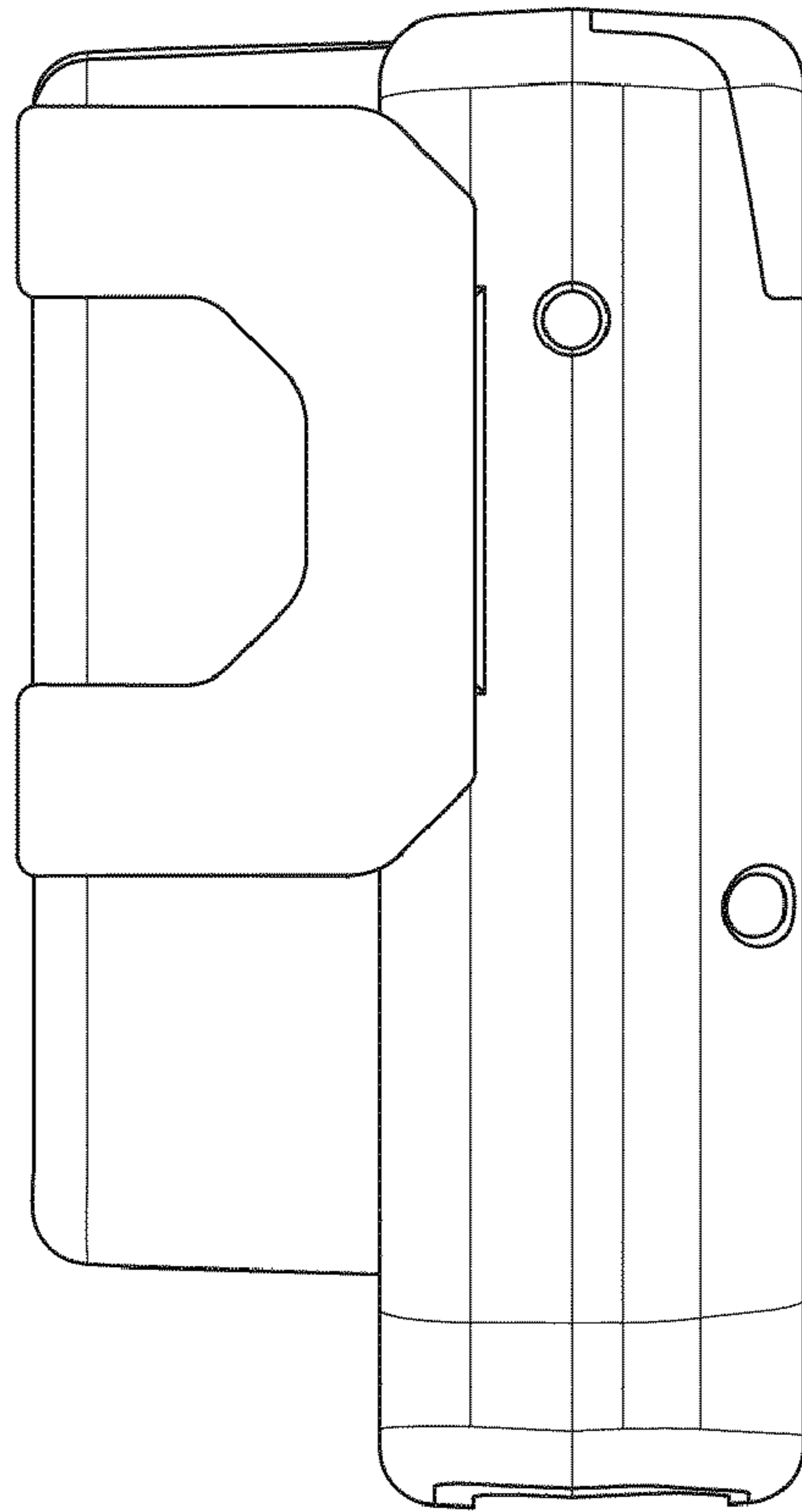


FIG. 7

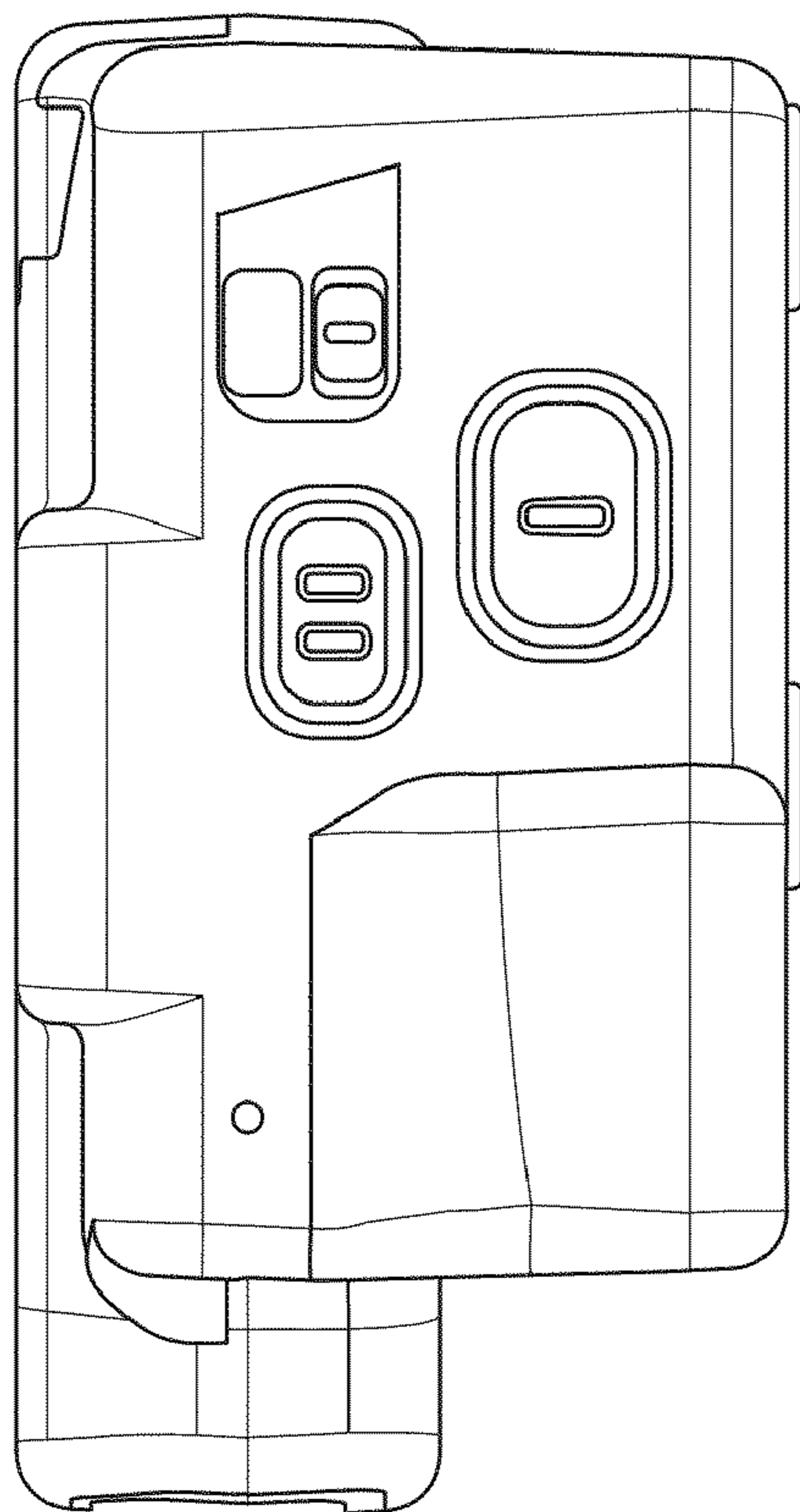


FIG. 8

FIG. 9

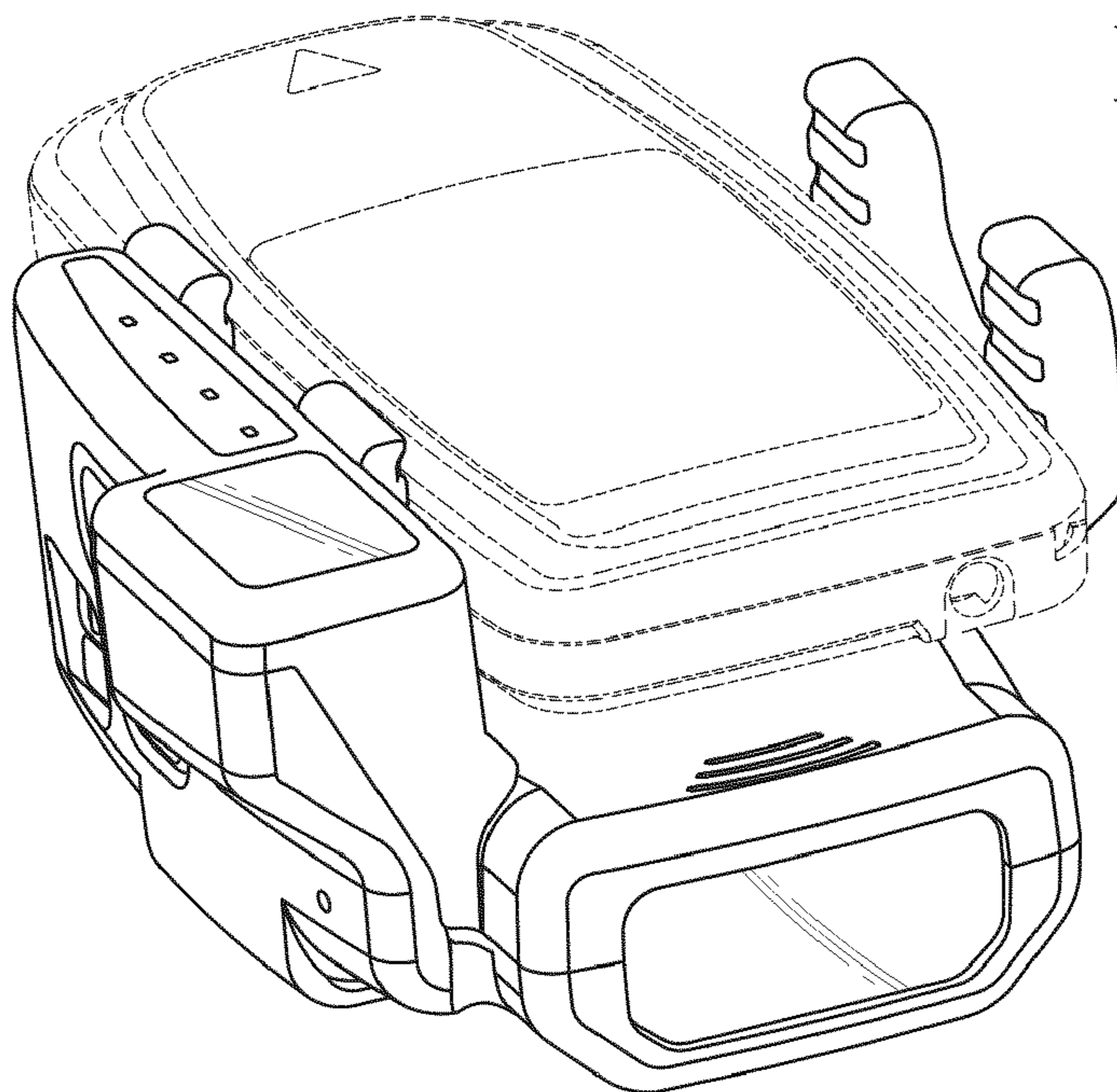
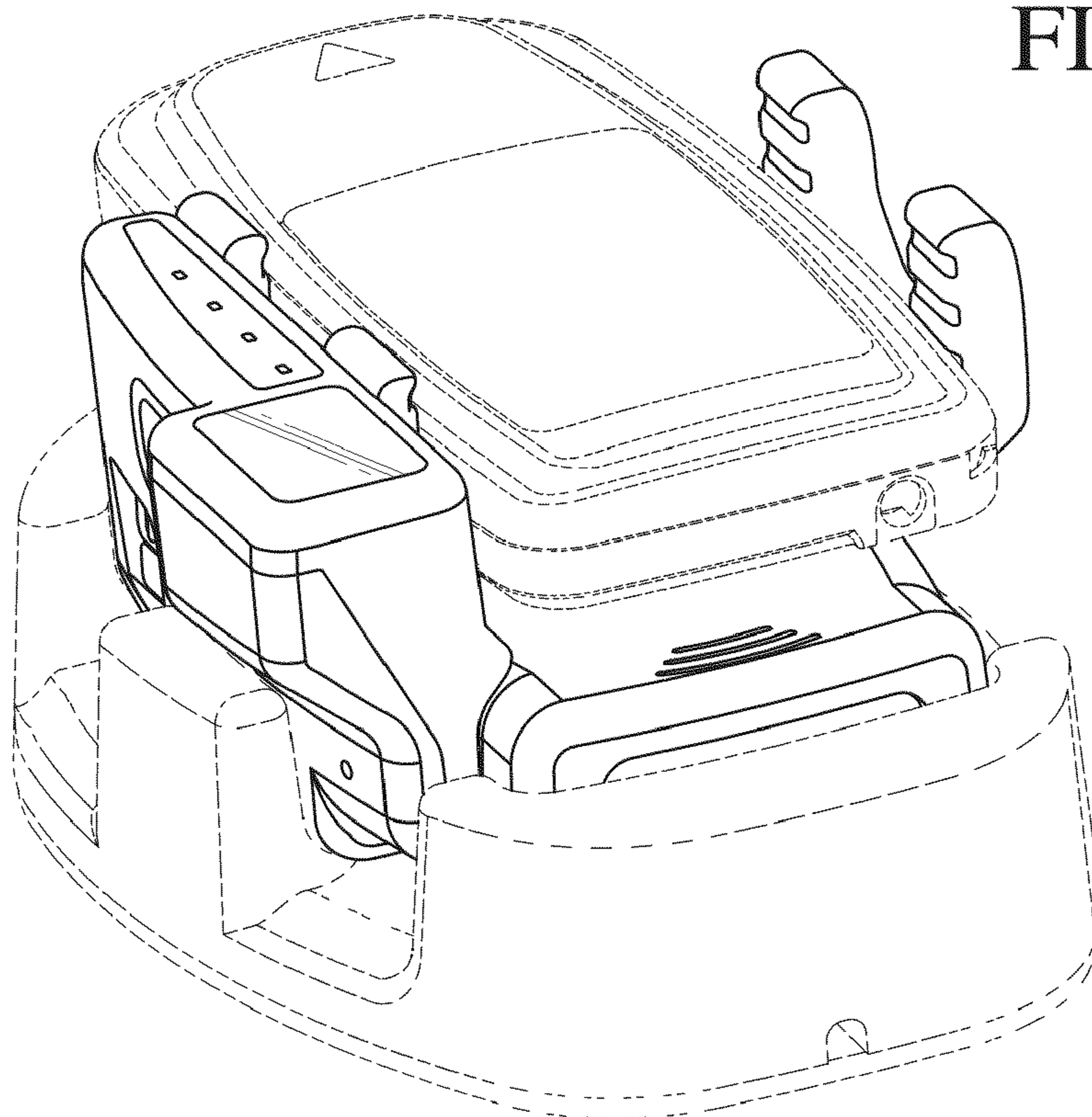


FIG. 10



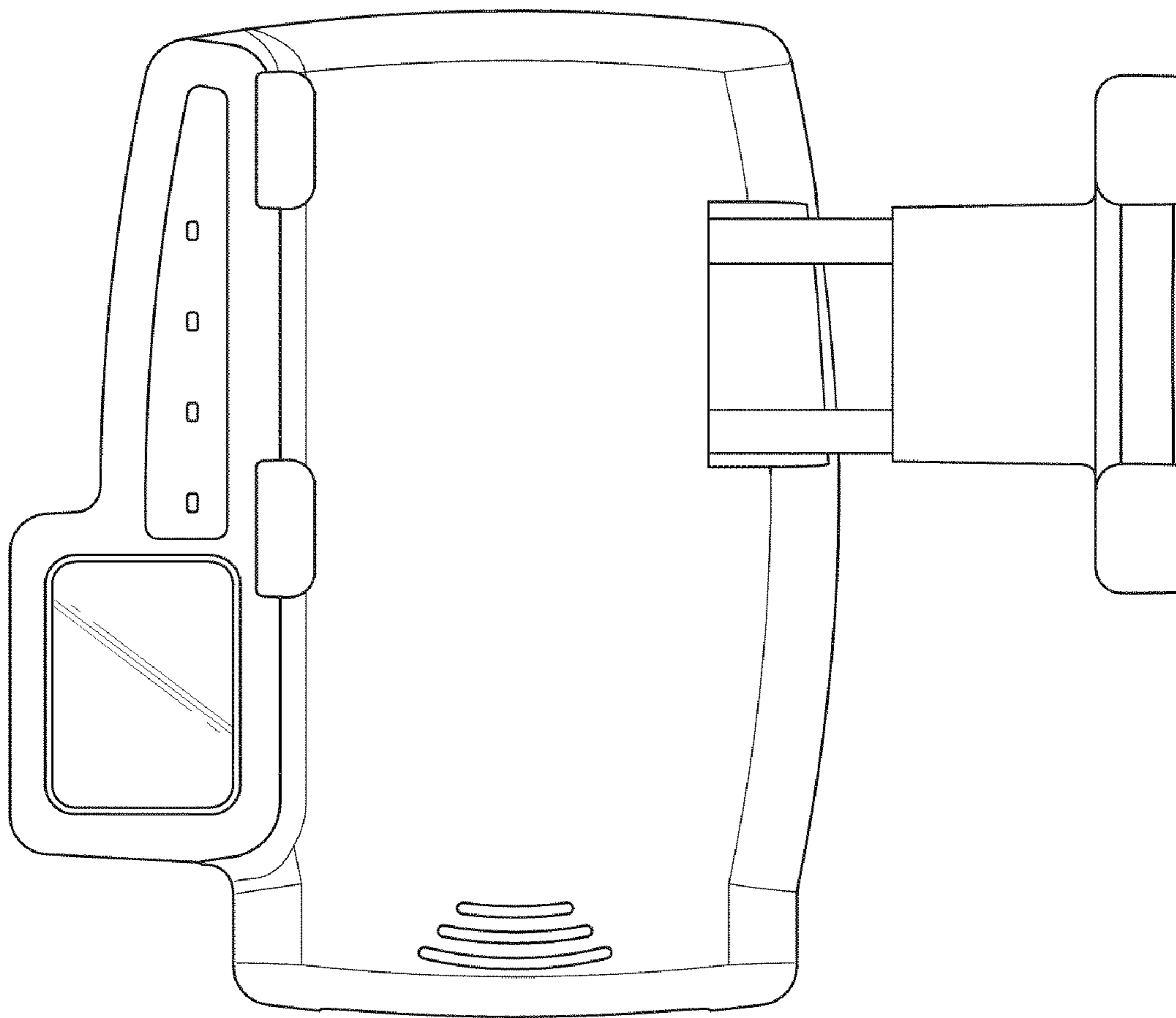


FIG. 11