



US00D654596S

(12) **United States Design Patent**
Lebas et al.

(10) **Patent No.:** **US D654,596 S**
(45) **Date of Patent:** **** Feb. 21, 2012**

(54) **MEDICAL SYSTEM DEVICE**

(75) Inventors: **Sandrine Lebas**, San Francisco, CA
(US); **Geoffrey Baldwin**, San Francisco,
CA (US)

(73) Assignee: **Optimedica Corporation**, Santa Clara,
CA (US)

(**) Term: **14 Years**

(21) Appl. No.: **29/376,901**

(22) Filed: **Oct. 13, 2010**

(51) **LOC (9) Cl.** **24-01**

(52) **U.S. Cl.** **D24/185; D24/160**

(58) **Field of Classification Search** D24/107,
D24/150, 158-161, 172, 183, 185, 216-234,
D24/169; D10/81, 97; D16/131; 128/645-652,
128/303.1, 395, 630, 662; 606/2, 4-6, 10-11;
378/19, 197

See application file for complete search history.

D369,564 S *	5/1996	Whitby et al.	D24/234
D381,031 S *	7/1997	Miyata et al.	D16/131
D386,261 S *	11/1997	Lee et al.	D24/159
D404,811 S *	1/1999	Hohla	D24/107
D410,080 S *	5/1999	Heidsiek et al.	D24/107
D447,803 S *	9/2001	Yanagihara et al.	D24/159
D527,105 S *	8/2006	Kitayama et al.	D24/158
D550,843 S *	9/2007	Lenfant et al.	D24/159
D555,243 S *	11/2007	Linev	D24/158
D571,385 S *	6/2008	Onuma et al.	D16/131
D571,474 S *	6/2008	Sjo-Gaber et al.	D24/186
D598,567 S *	8/2009	Tsukuda et al.	D24/234
D608,450 S *	1/2010	Ishigami et al.	D24/185
D609,811 S *	2/2010	Yokoyama et al.	D24/159
D644,258 S *	8/2011	Noda et al.	D16/131

* cited by examiner

Primary Examiner — T. Chase Nelson

Assistant Examiner — Mark Cavanna

(74) *Attorney, Agent, or Firm* — Vista IP Law Group LLP

(57) **CLAIM**

The ornamental design for medical system device, as shown and described.

DESCRIPTION

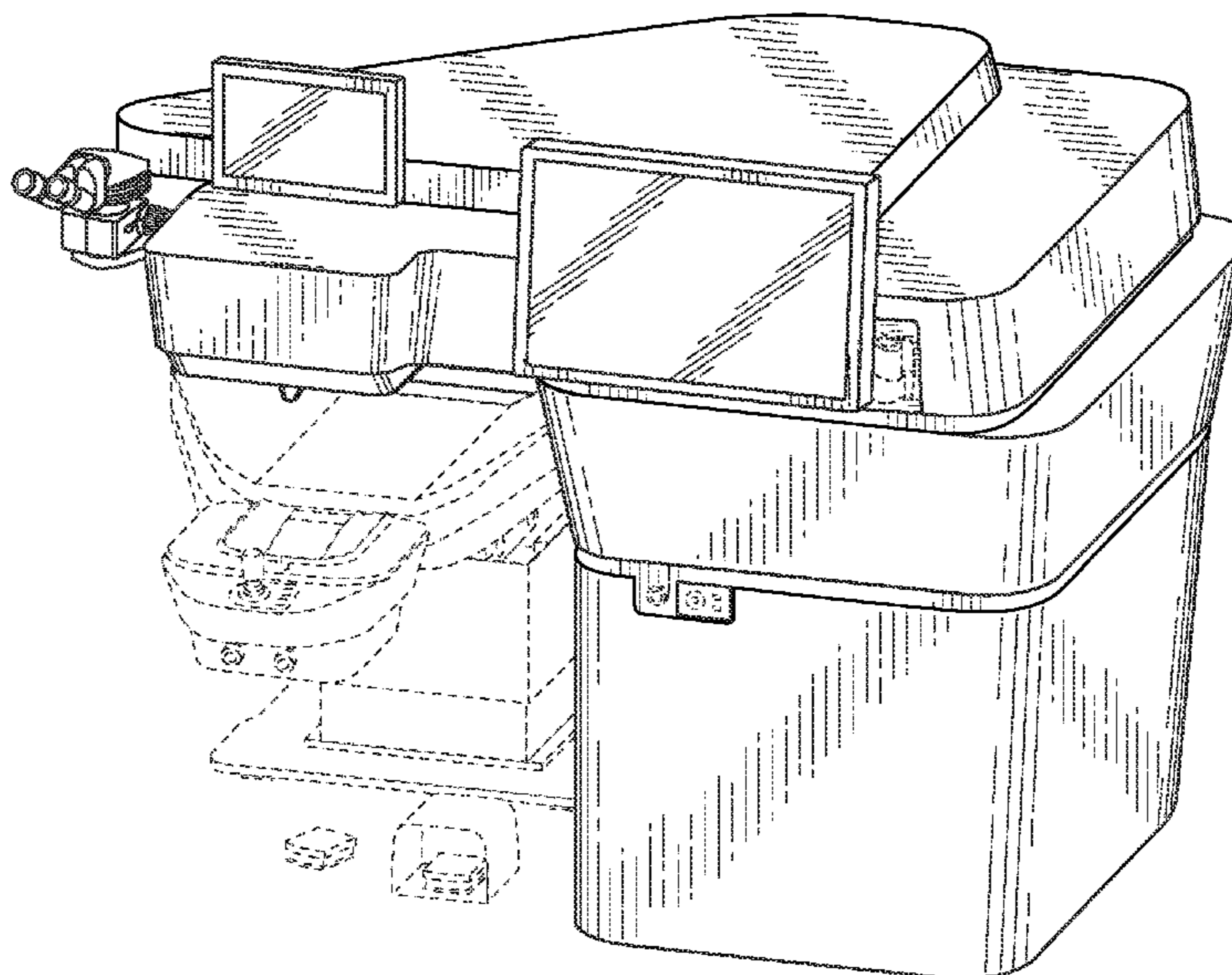
FIG. 1 is a perspective view of the medical system device; FIG. 2 is a front elevational view of the medical system device; FIG. 3 is a rear elevational view of the medical system device; FIG. 4 is a left elevational view of the medical system device; FIG. 5 is a right elevational view of the medical system device; FIG. 6 is a top plan view of the medical system device; and, FIG. 7 is a bottom plan view of the medical system device. The broken lines are included for the purpose of illustrating portions of the medical system device that form no part of the claimed design.

1 Claim, 7 Drawing Sheets

(56) **References Cited**

U.S. PATENT DOCUMENTS

D229,581 S	12/1973	Hoag	D16/131
D233,610 S	11/1974	Lucca	D16/131
4,829,547 A	5/1989	Mustain	378/197
D303,267 S	9/1989	Takahashi et al.	D24/232
4,969,167 A	11/1990	Zupancic et al.	D24/158
D323,386 S	1/1992	Perusek	D24/159
D332,314 S	1/1993	Torai et al.	D24/169
D333,007 S	2/1993	LaBarbera	D24/216
D345,606 S	3/1994	Perusek	D24/159
5,299,249 A	3/1994	Burke et al.	378/199
D347,063 S	5/1994	Ariyoshi et al.	D24/159
D357,199 S	4/1995	Peltola	D10/97
D358,105 S	5/1995	Joyce	D10/81
D366,701 S *	1/1996	Mazess et al.	D24/159



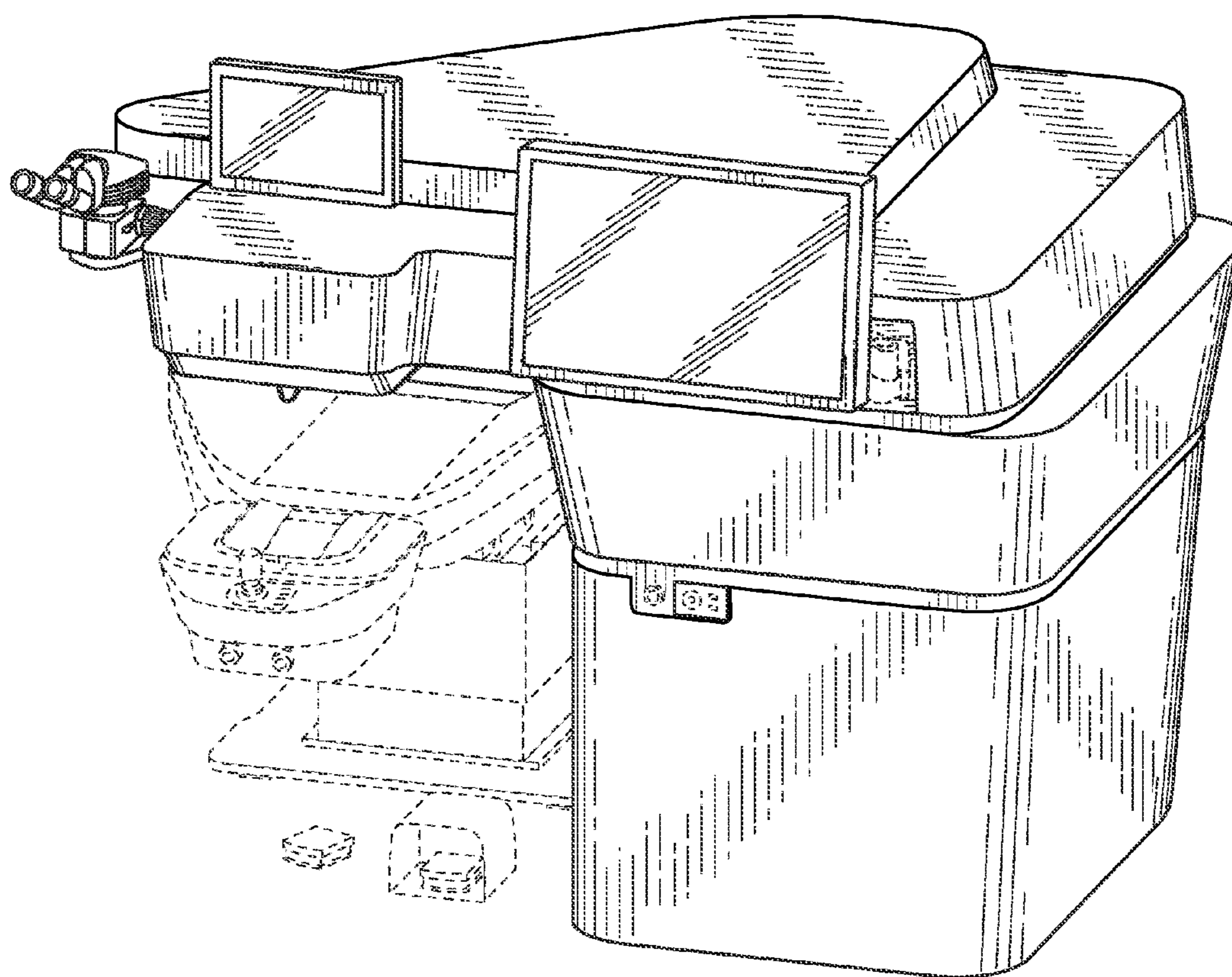


FIG. 1

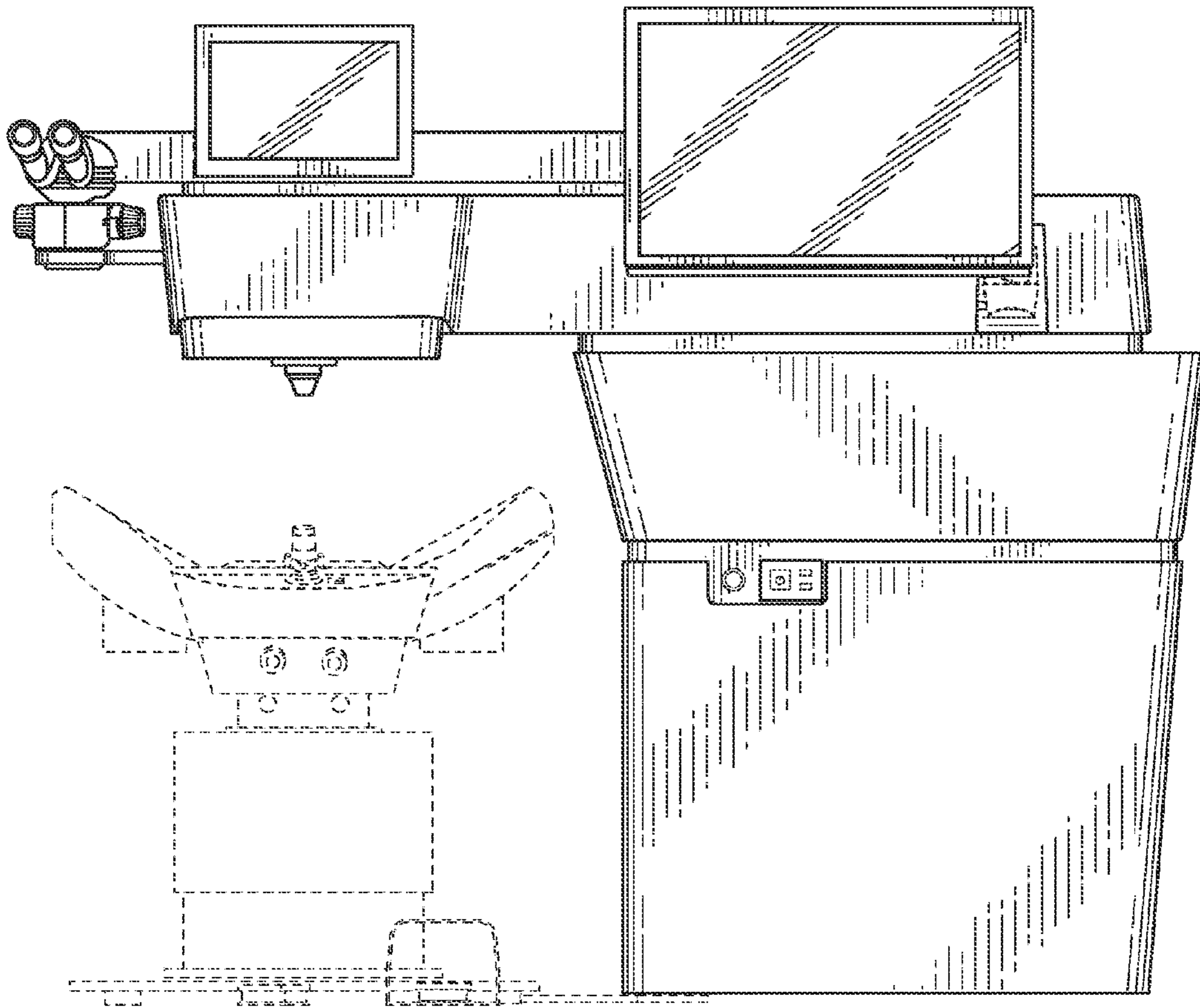


FIG. 2

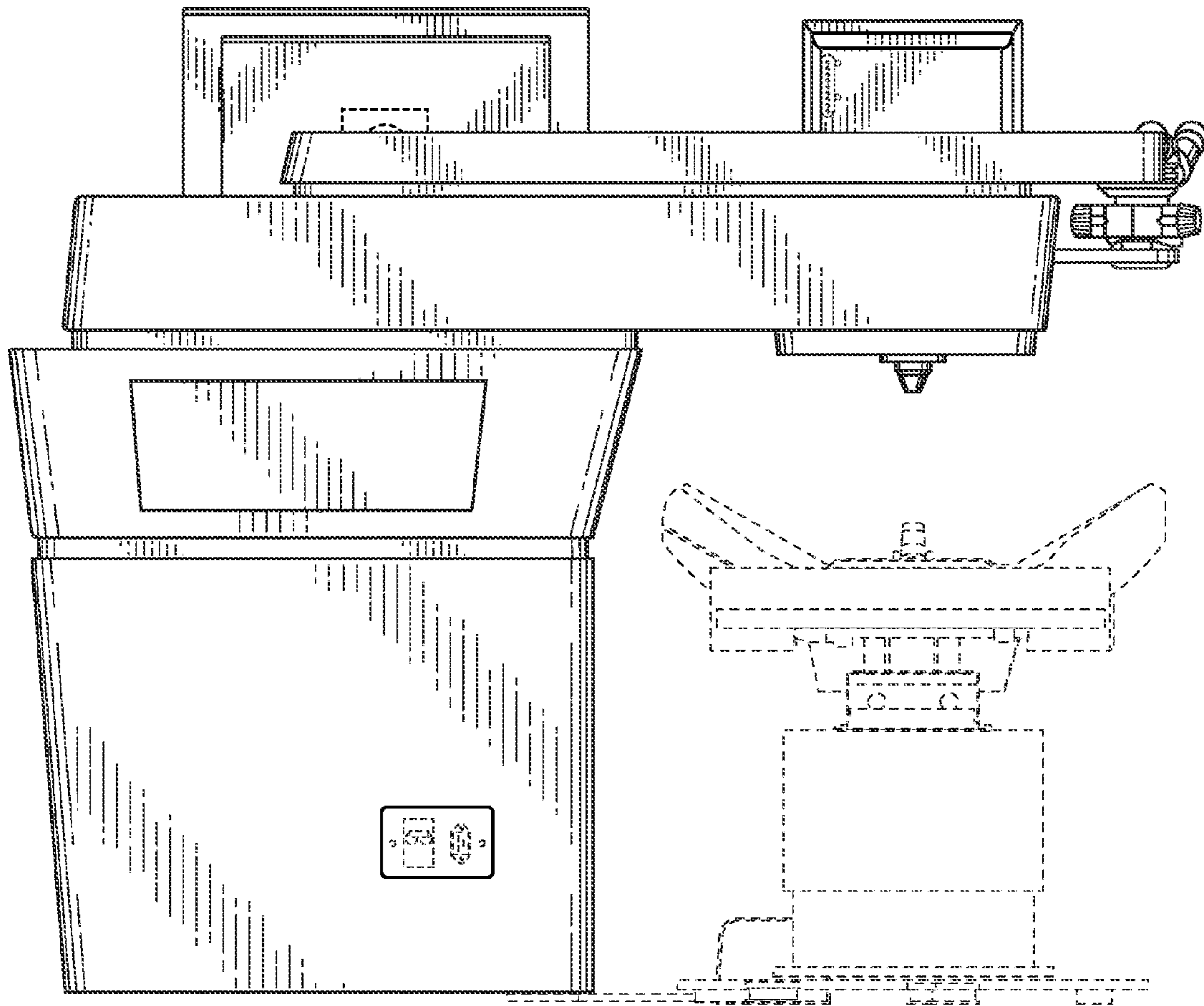


FIG. 3

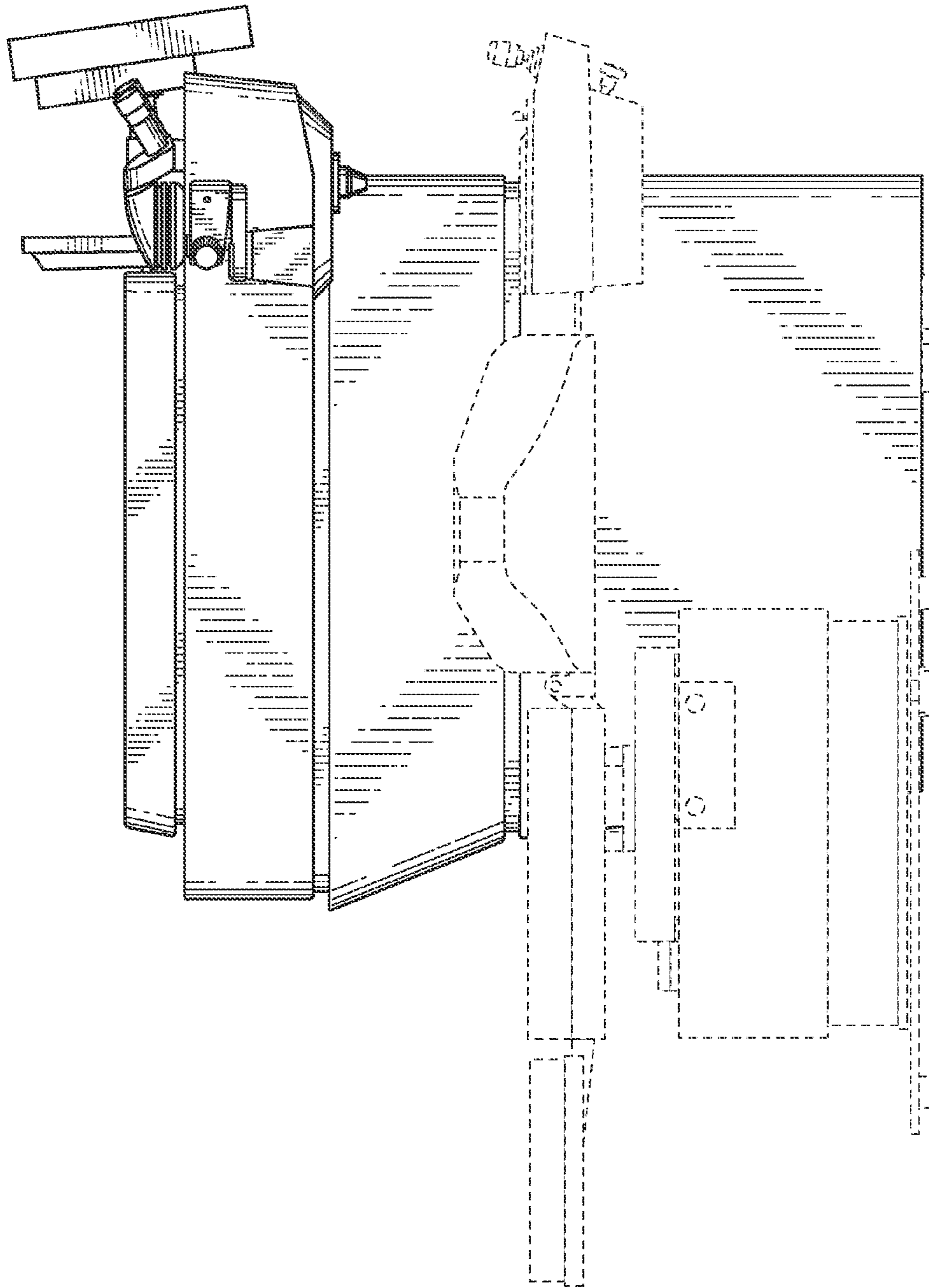


FIG. 4

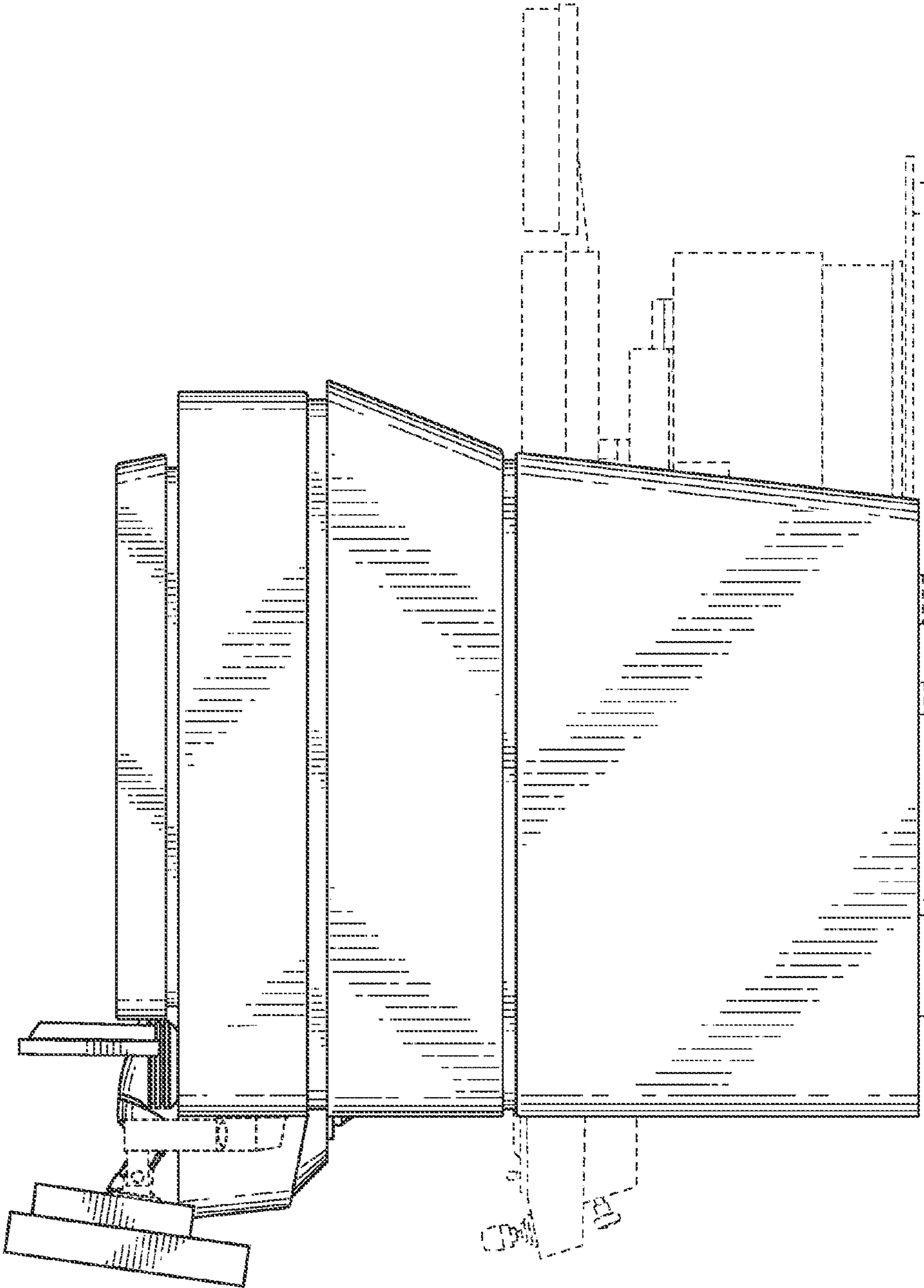


FIG. 5

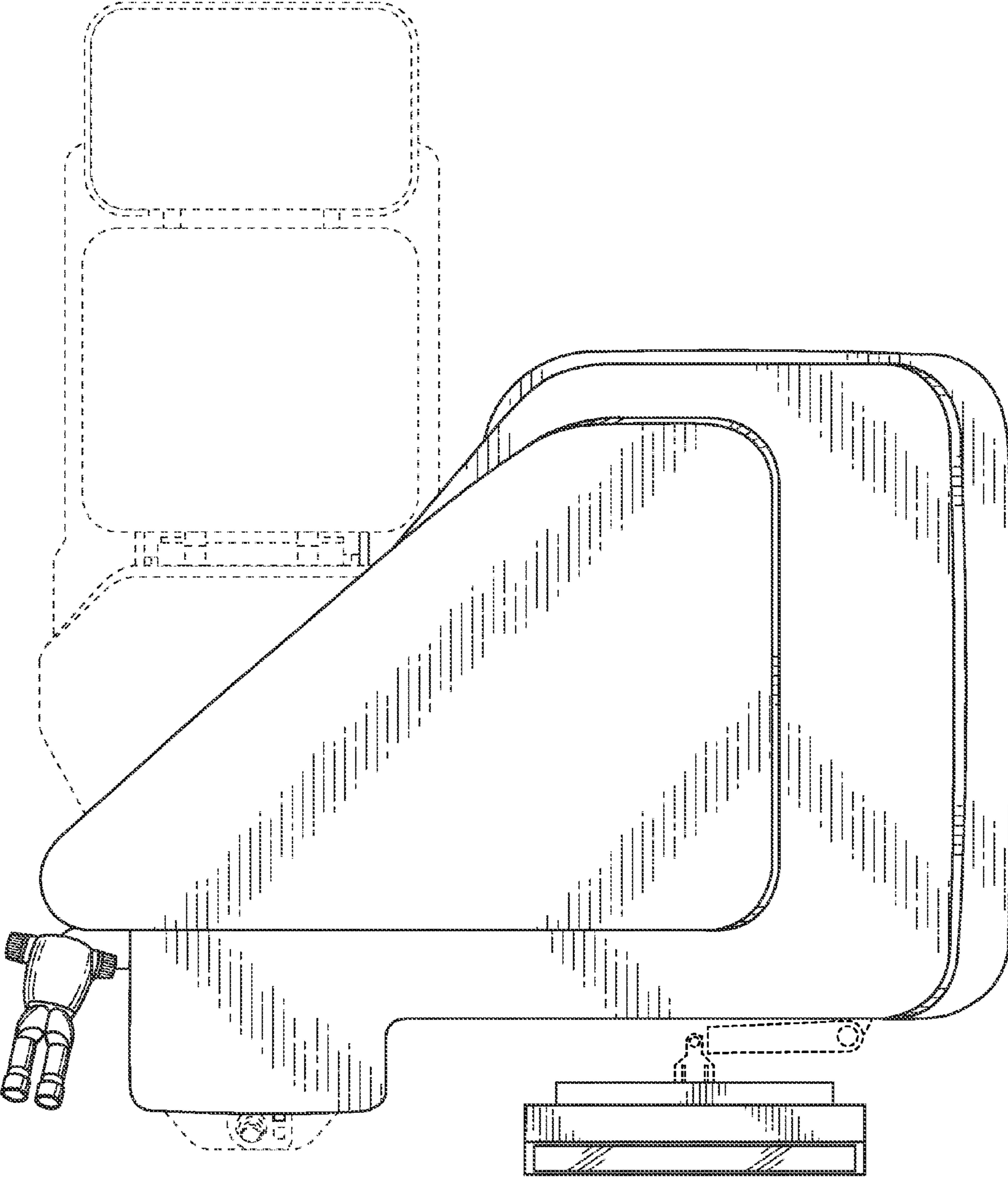


FIG. 6

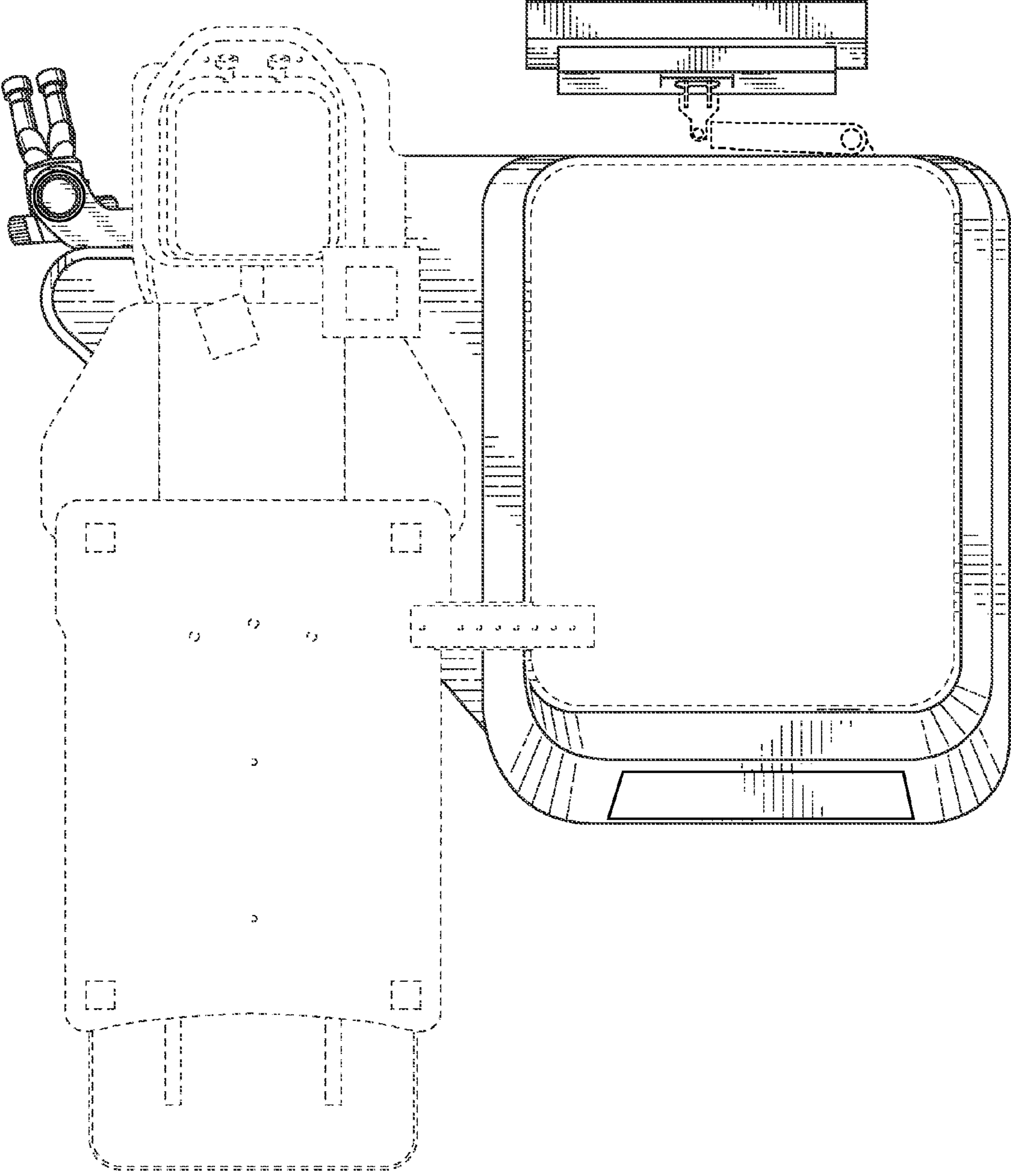


FIG. 7