



US00D654590S

(12) **United States Design Patent**  
**Fisher et al.**

(10) **Patent No.:** **US D654,590 S**

(45) **Date of Patent:** **\*\* Feb. 21, 2012**

(54) **SURGICAL SAW BLADE HUB**

(75) Inventors: **Michael Fisher**, Folsom, CA (US);  
**Barjinder Chana**, Rancho Cordova, CA (US)

(73) Assignee: **Synvasive Technology, Inc.**, Reno, NV (US)

(\*\*) Term: **14 Years**

(21) Appl. No.: **29/337,758**

(22) Filed: **May 28, 2009**

(51) **LOC (9) Cl.** ..... **24-02**

(52) **U.S. Cl.** ..... **D24/146**

(58) **Field of Classification Search** ..... D24/146,  
D24/147; D8/20, 26, 64; 606/167, 176-178,  
606/79, 82; 30/338, 339, 392

See application file for complete search history.

(56) **References Cited**

**U.S. PATENT DOCUMENTS**

3,899,828	A *	8/1975	Bosco	.....	30/151
D346,318	S *	4/1994	Evans	.....	D8/20
D348,194	S *	6/1994	Tanis	.....	D8/70
5,382,249	A *	1/1995	Fletcher	.....	606/79

5,403,318	A *	4/1995	Boehringer et al.	.....	606/82
D385,163	S *	10/1997	Hutchins et al.	.....	D8/20
D385,164	S *	10/1997	Hutchins et al.	.....	D8/20
D481,129	S *	10/2003	DiCesare et al.	.....	D24/147
D489,823	S *	5/2004	Fisher et al.	.....	D24/146
6,775,912	B2 *	8/2004	Panfili et al.	.....	30/169
D536,791	S *	2/2007	Eskridge et al.	.....	D24/146
D554,256	S *	10/2007	Eskridge et al.	.....	D24/146
D578,848	S *	10/2008	Camacho	.....	D8/20
D603,231	S *	11/2009	Fisher et al.	.....	D8/20
D642,264	S *	7/2011	Fisher et al.	.....	D24/146
2009/0093815	A1 *	4/2009	Fletcher et al.	.....	606/82

\* cited by examiner

*Primary Examiner* — Ian Simmons

*Assistant Examiner* — Carissa C Fitts

(74) *Attorney, Agent, or Firm* — Knobbe, Martens, Olson & Bear, LLP

(57) **CLAIM**

The ornamental design for a surgical saw blade hub, as shown and described.

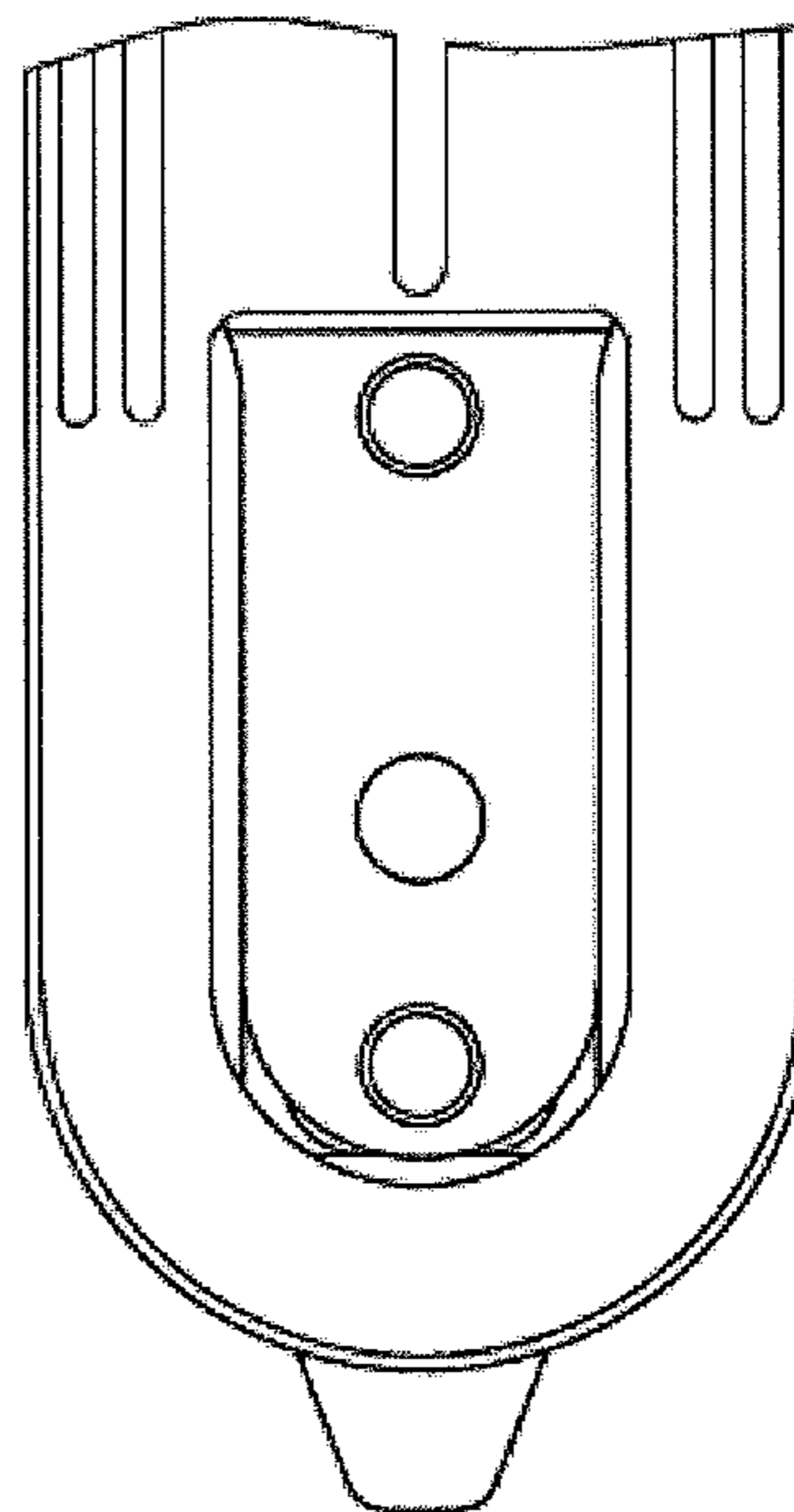
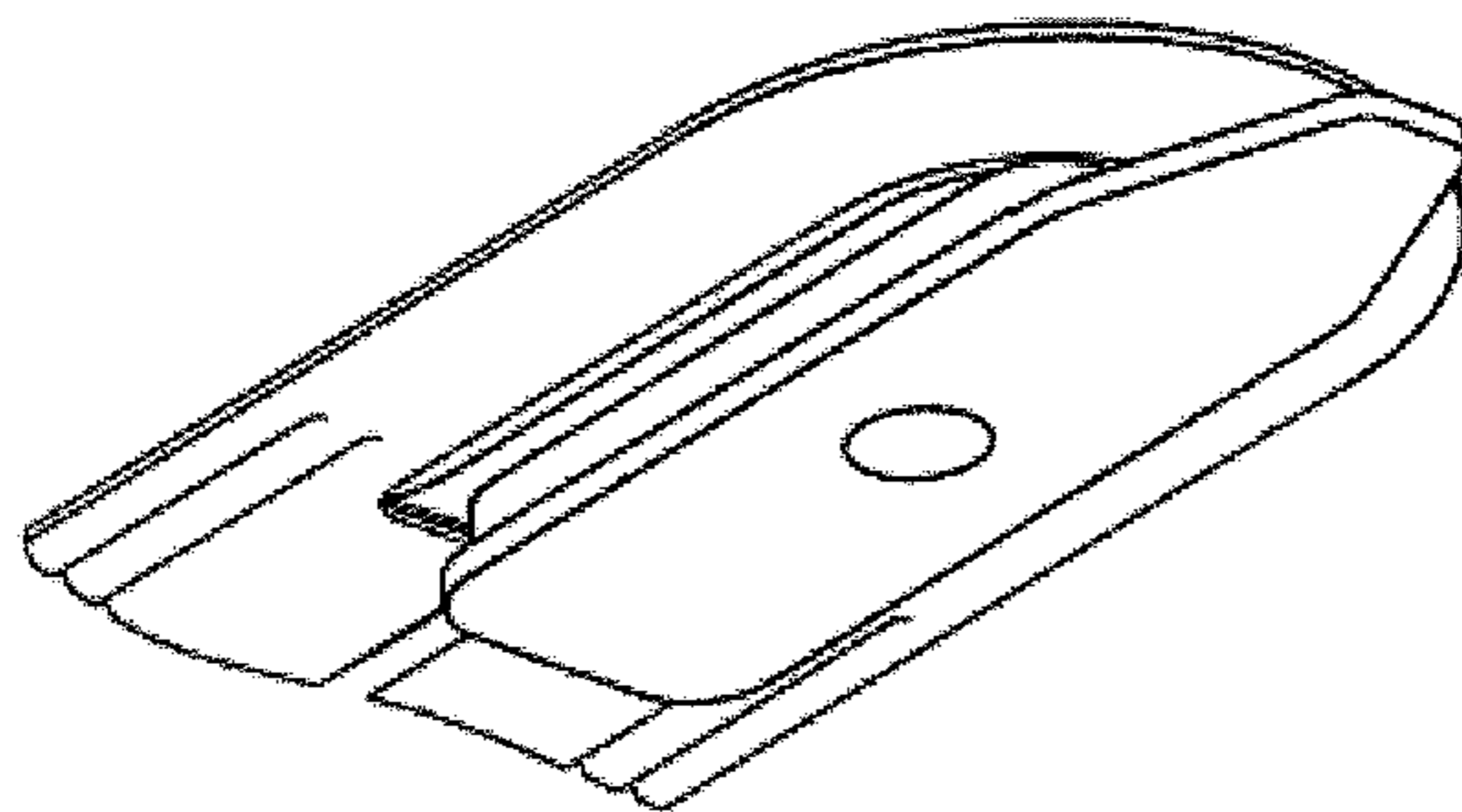
**DESCRIPTION**

FIG. 1 is a bottom perspective view of a surgical saw blade hub showing our new design:

FIG. 2 is a top view thereof; and,

FIG. 3 is a side view thereof.

**1 Claim, 1 Drawing Sheet**



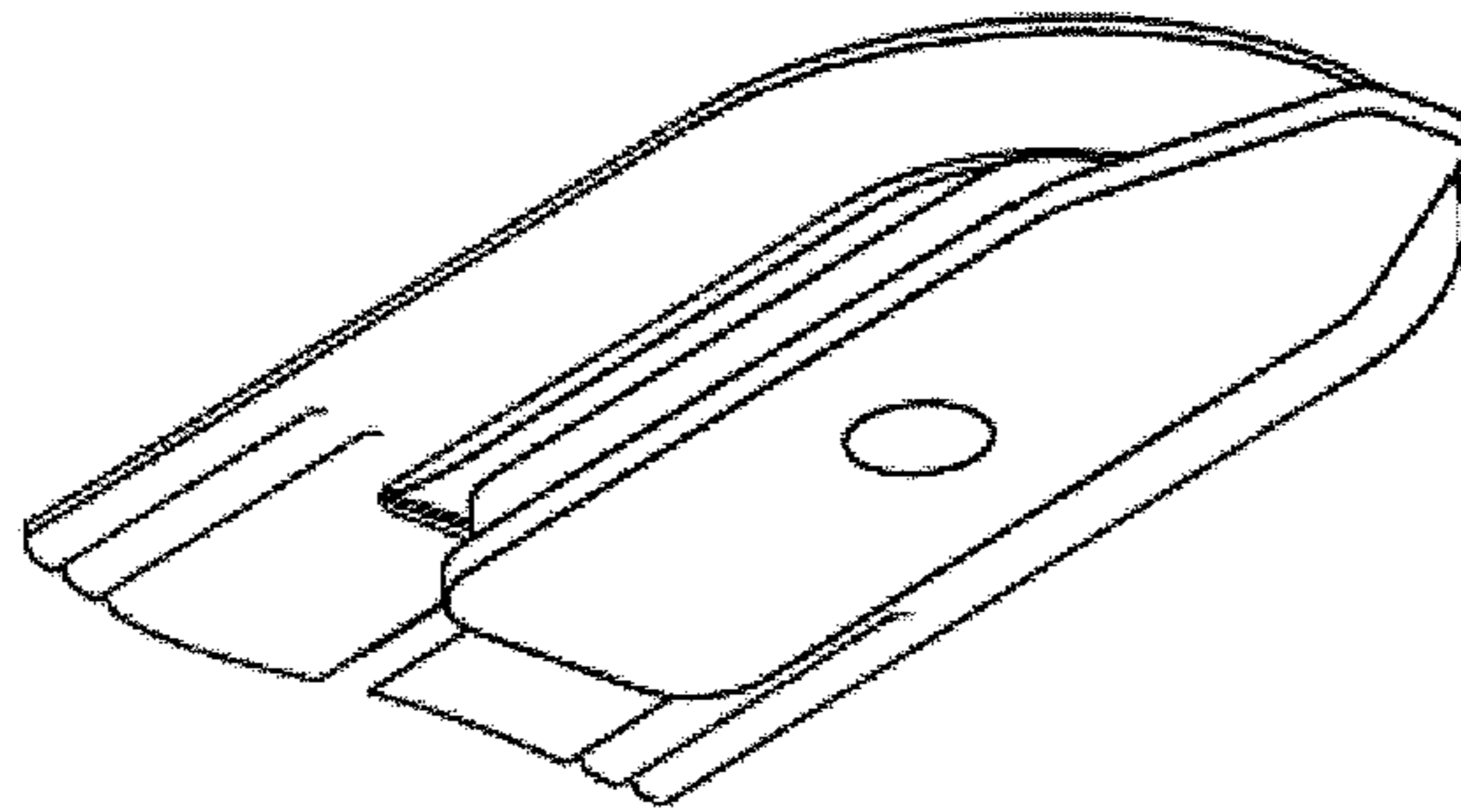


Fig. 1

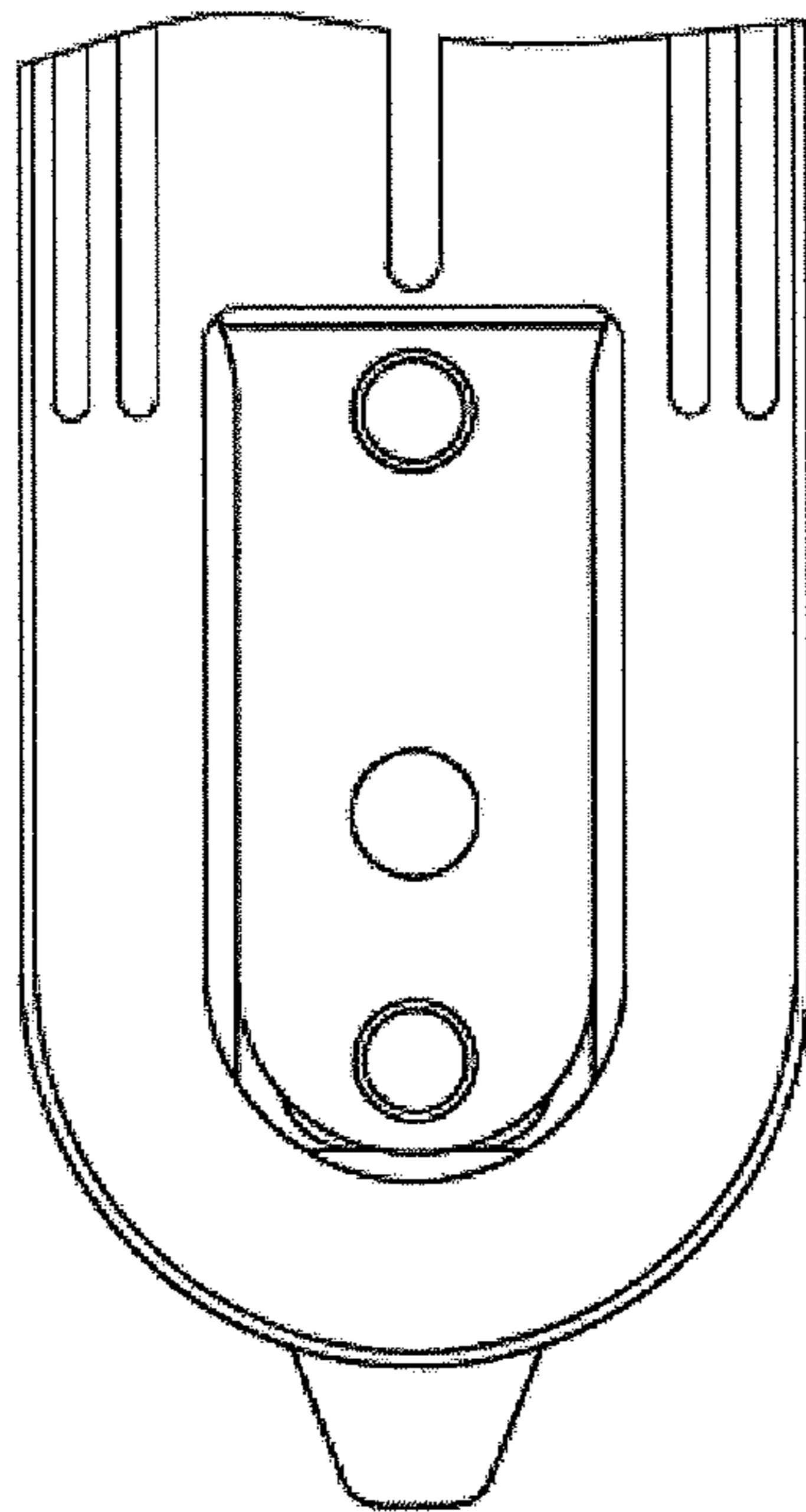


Fig. 2

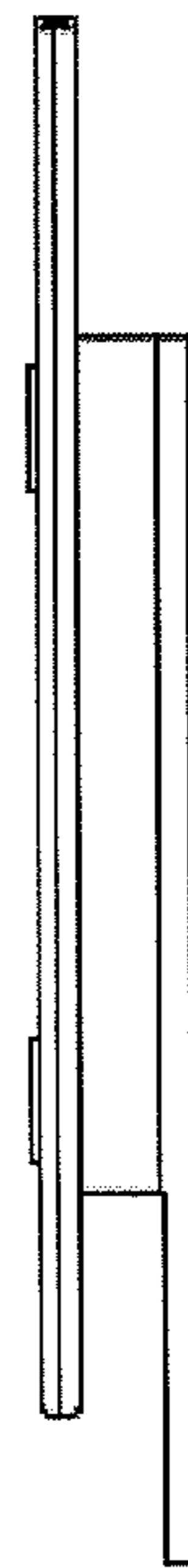


Fig. 3