



US00D654586S

(12) **United States Design Patent**
Hogerwerf et al.

(10) **Patent No.:** **US D654,586 S**
(45) **Date of Patent:** **** Feb. 21, 2012**

(54) **TRANSJET CATHETER**

FOREIGN PATENT DOCUMENTS

(75) Inventors: **Mark Hogerwerf**, Driebruggen (NL);
Dirk Theodorus Andreas van Asseldonk, Veghel (NL)

EP 0598 948 B1 10/1997
* cited by examiner

(73) Assignee: **Dolphys Technologies B.V.**, Eindhoven (NL)

Primary Examiner — T. Chase Nelson
Assistant Examiner — Eric Goodman
(74) *Attorney, Agent, or Firm* — Henry B. Ward, III; Moore & Van Allen PLLC

(**) Term: **14 Years**

(57) **CLAIM**
The ornamental design for a transjet catheter, as shown and described.

(21) Appl. No.: **29/379,388**

DESCRIPTION

(22) Filed: **Nov. 18, 2010**

(51) **LOC (9) Cl.** **24-02**

(52) **U.S. Cl.** **D24/130**

(58) **Field of Classification Search** D24/133,
D24/112, 138, 144, 108, 222, 130, 128-129;
604/95.04, 528; 600/374, 381, 463, 466
See application file for complete search history.

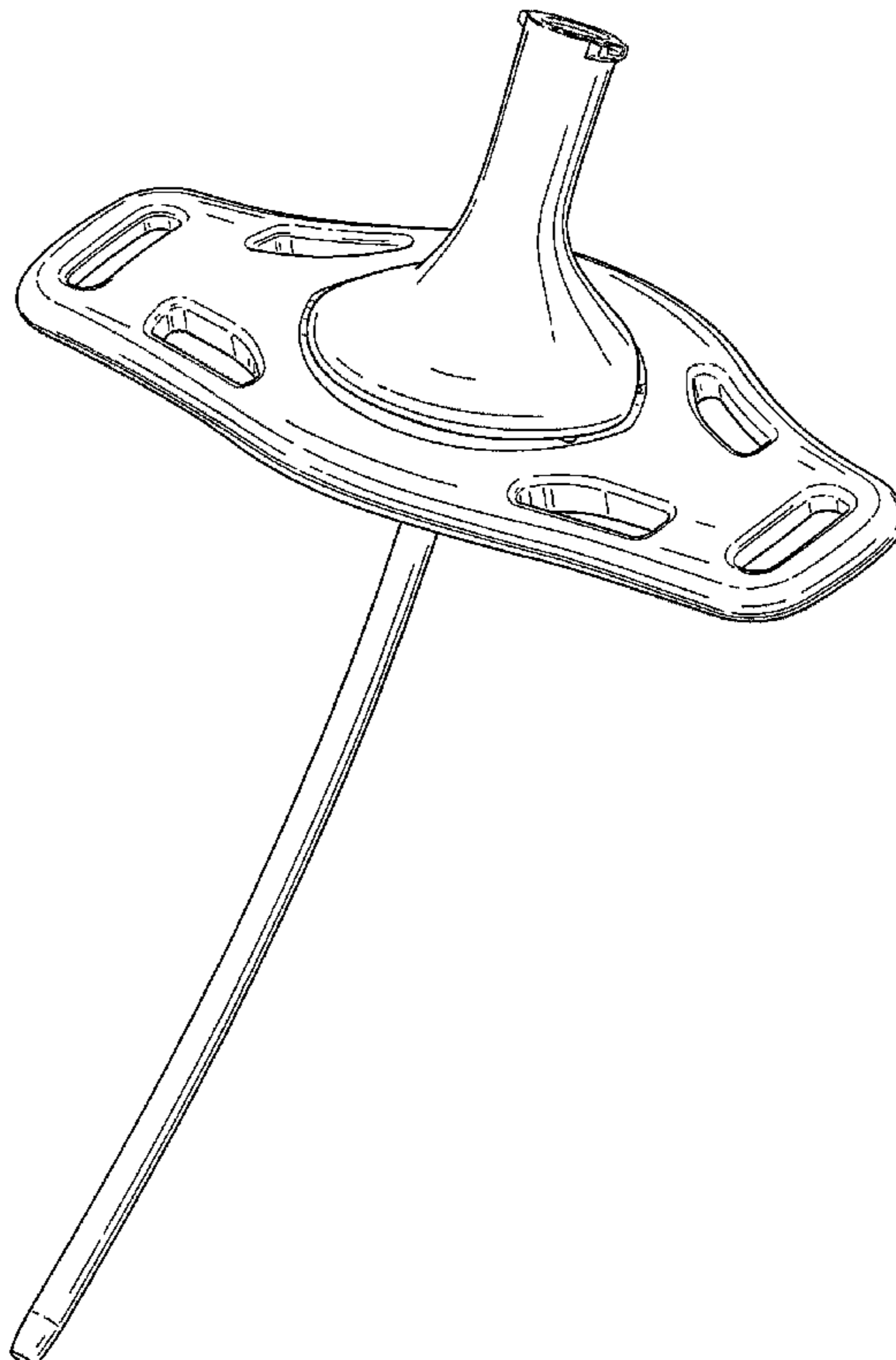
FIG. 1 is a rear, top and left-side-perspective view illustrating a transjet catheter, according to the present invention; FIG. 2 is a rear-elevational view of the transjet catheter of FIG. 1; FIG. 3 is a front-elevational view of the transjet catheter of FIG. 1; FIG. 4 is a left-side-elevational view of the transjet catheter of FIG. 1; FIG. 5 is a right-side-elevational view of the transjet catheter of FIG. 1; FIG. 6 is a top-plan view of the transjet catheter of FIG. 1; and, FIG. 7 is a bottom-plan view of the transjet catheter of FIG. 1. The broken lines shown in the drawings are shown for illustrative purposes only and form no part of the claimed design. In addition, the surface shading, if any, illustrated in the drawings is provided merely to highlight the contour of the design; it is not intended to be illustrative of texture or gloss.

(56) **References Cited**

U.S. PATENT DOCUMENTS

3,322,126	A *	5/1967	Rusch et al.	128/207.15
4,449,973	A *	5/1984	Luther	604/161
4,686,977	A *	8/1987	Cosma	128/207.17
4,817,598	A *	4/1989	LaBombard	128/207.14
4,957,488	A *	9/1990	Cameron et al.	604/161
D332,140	S *	12/1992	La Bombard et al.	D24/129
5,361,754	A	11/1994	Stuart	
5,435,306	A	7/1995	Stuart	
5,778,877	A	7/1998	Stuart	

1 Claim, 7 Drawing Sheets



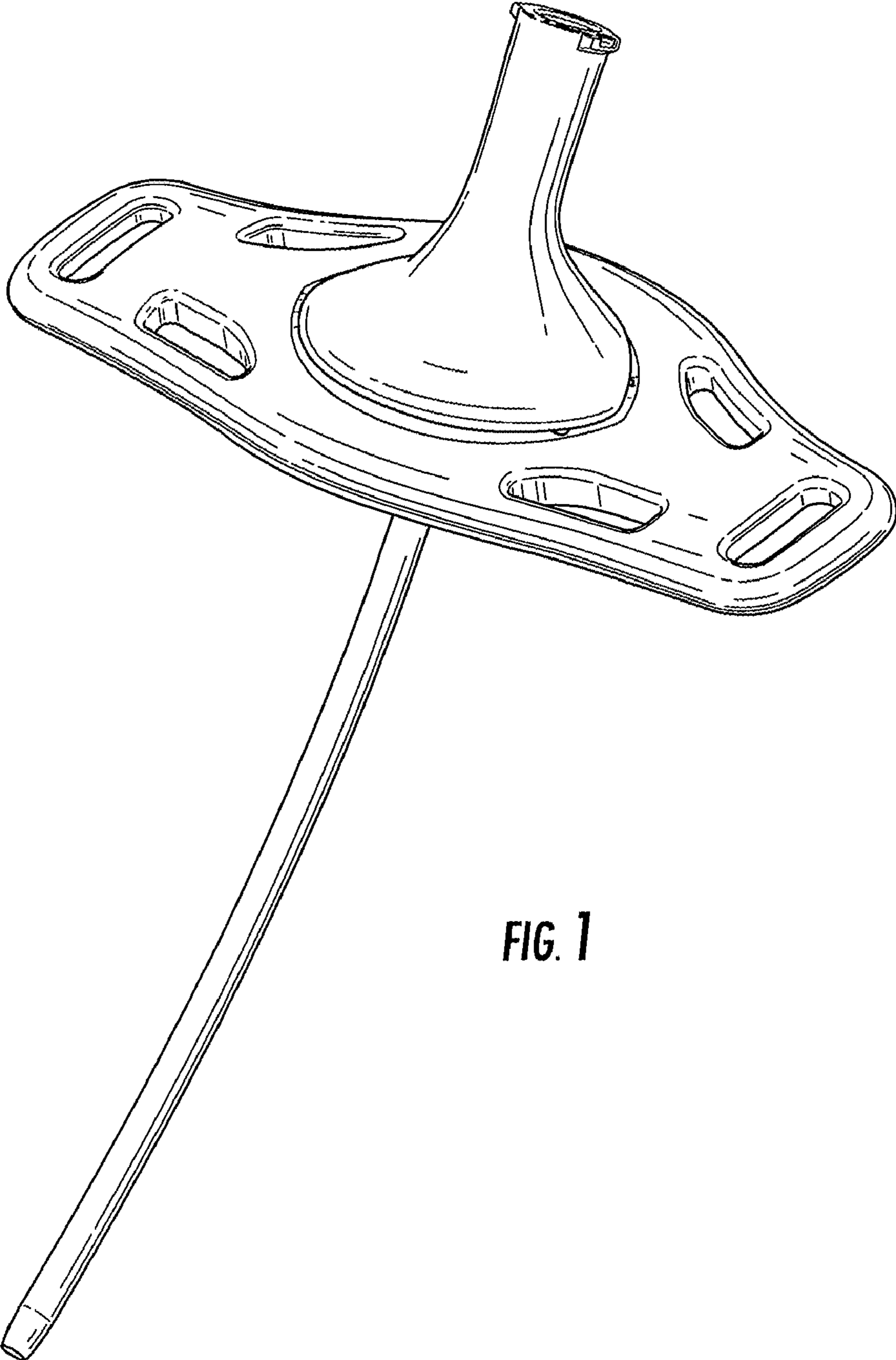


FIG. 1

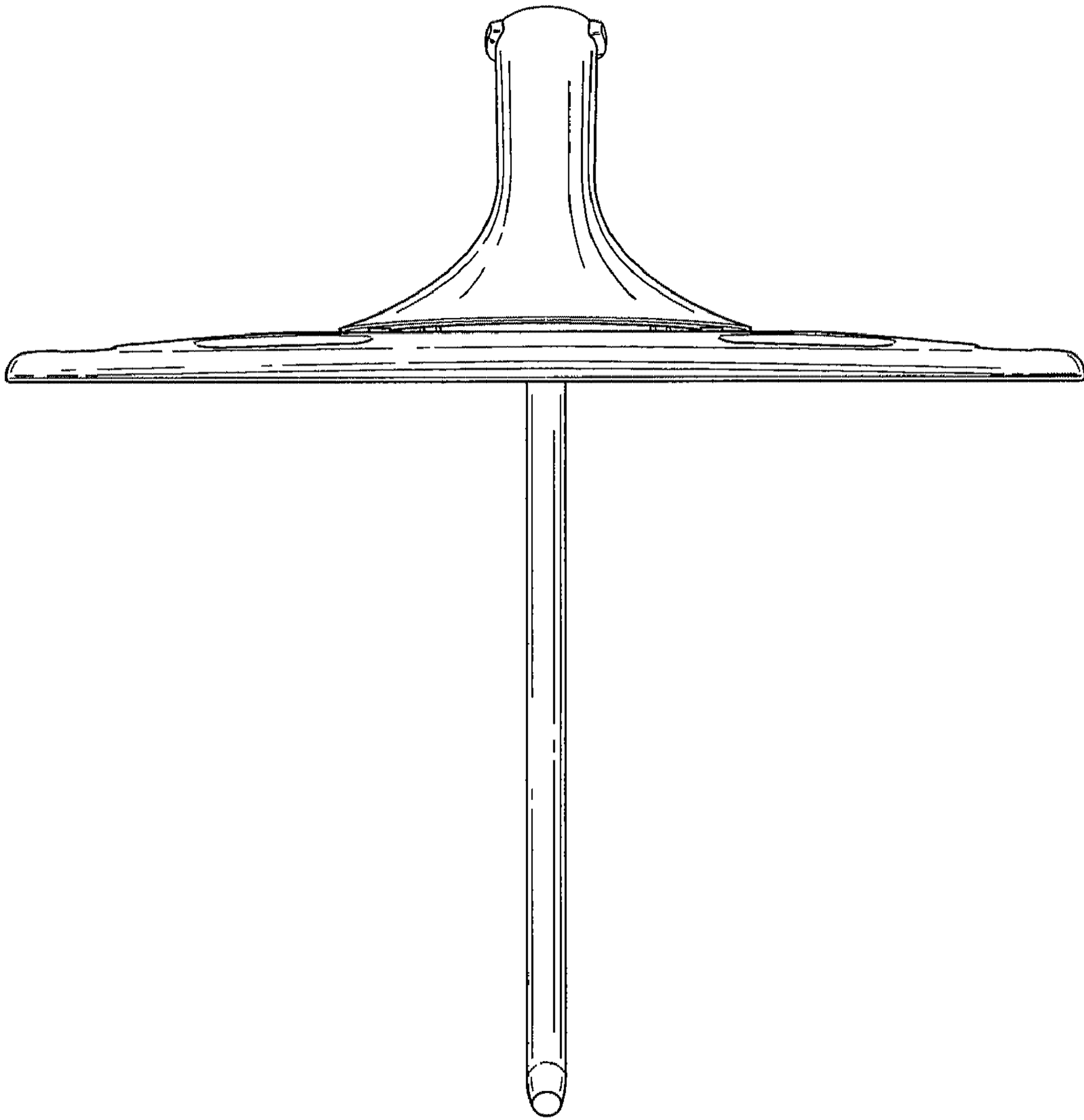


FIG. 2

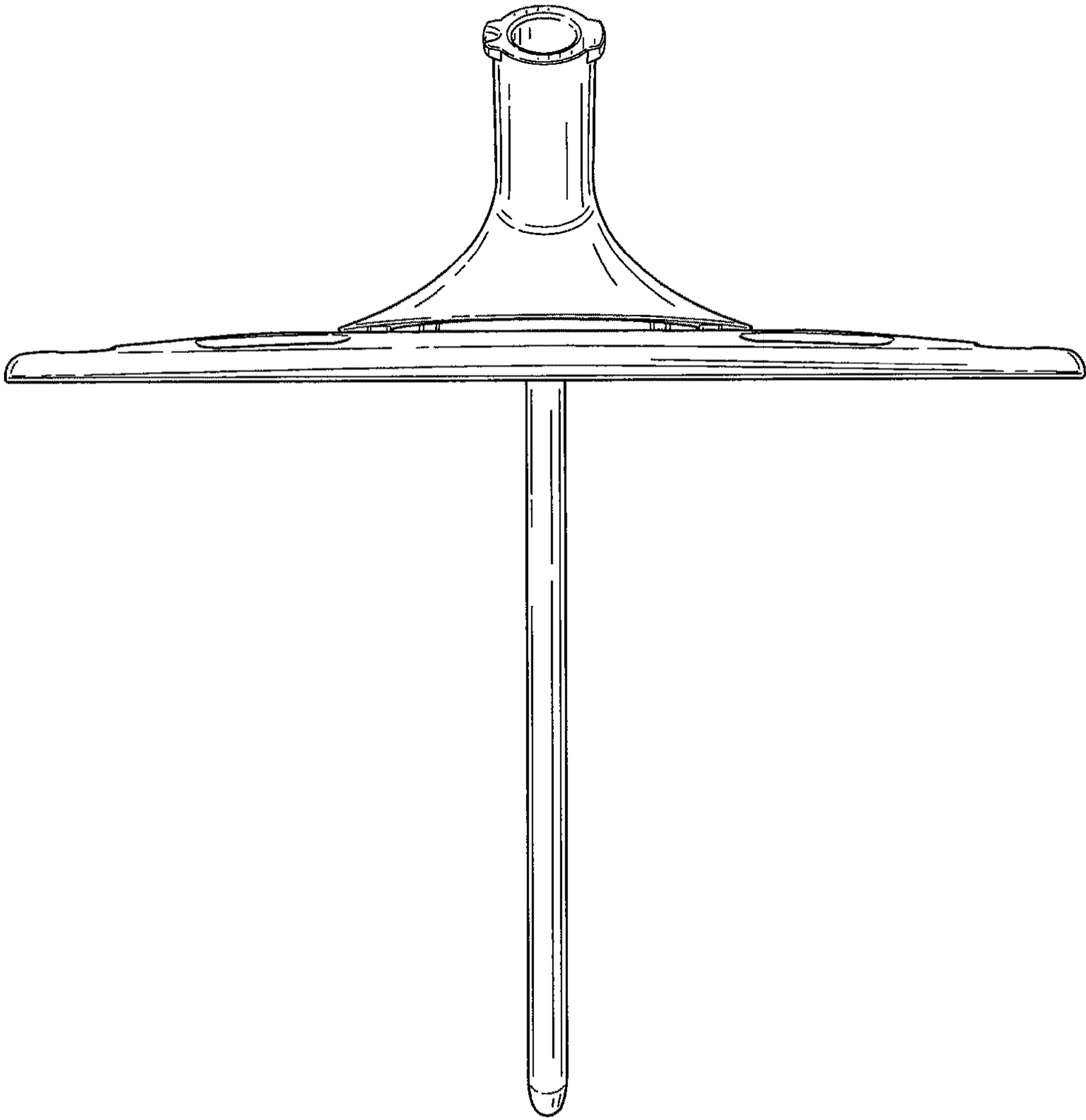


FIG. 3

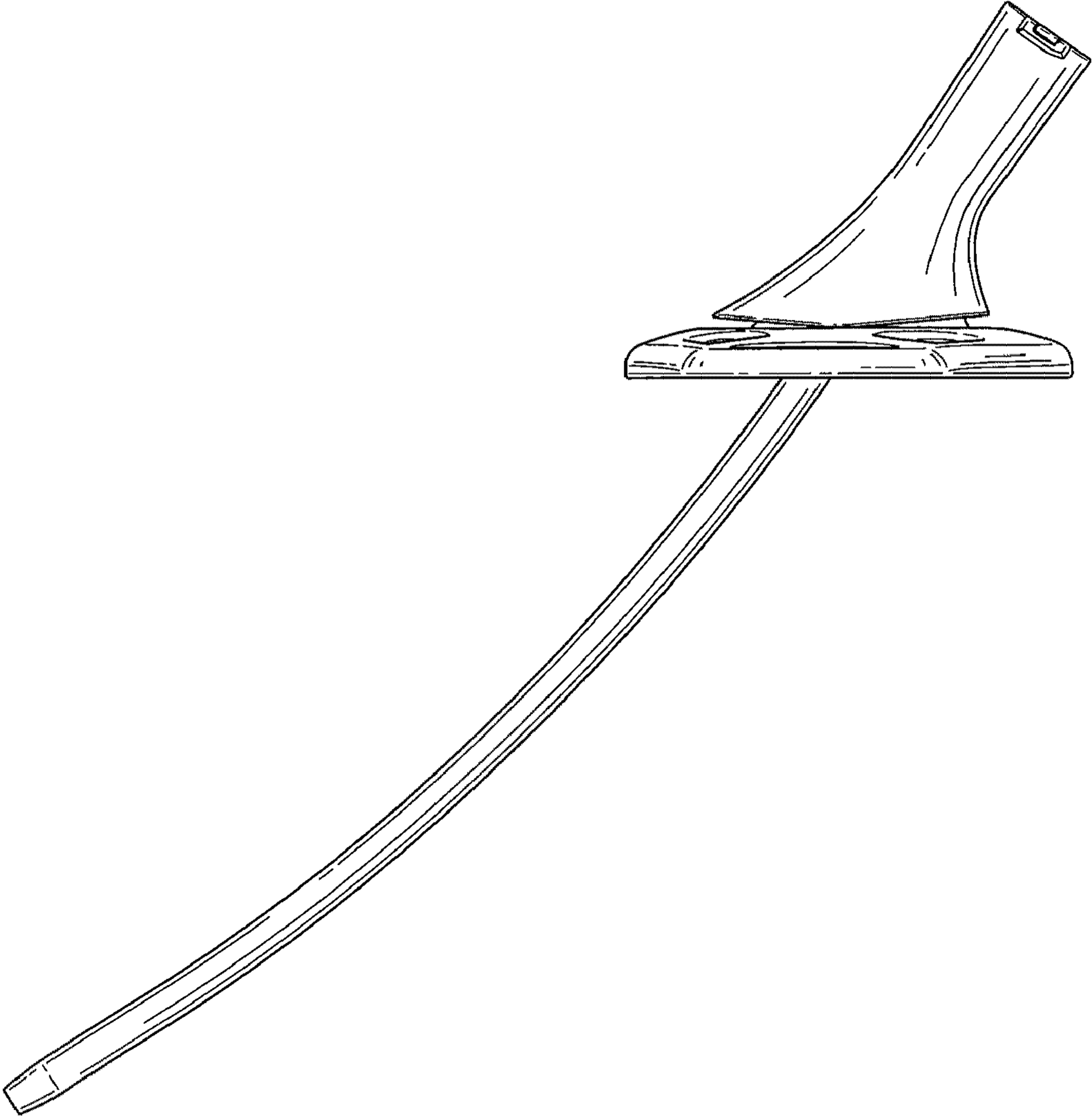


FIG. 4

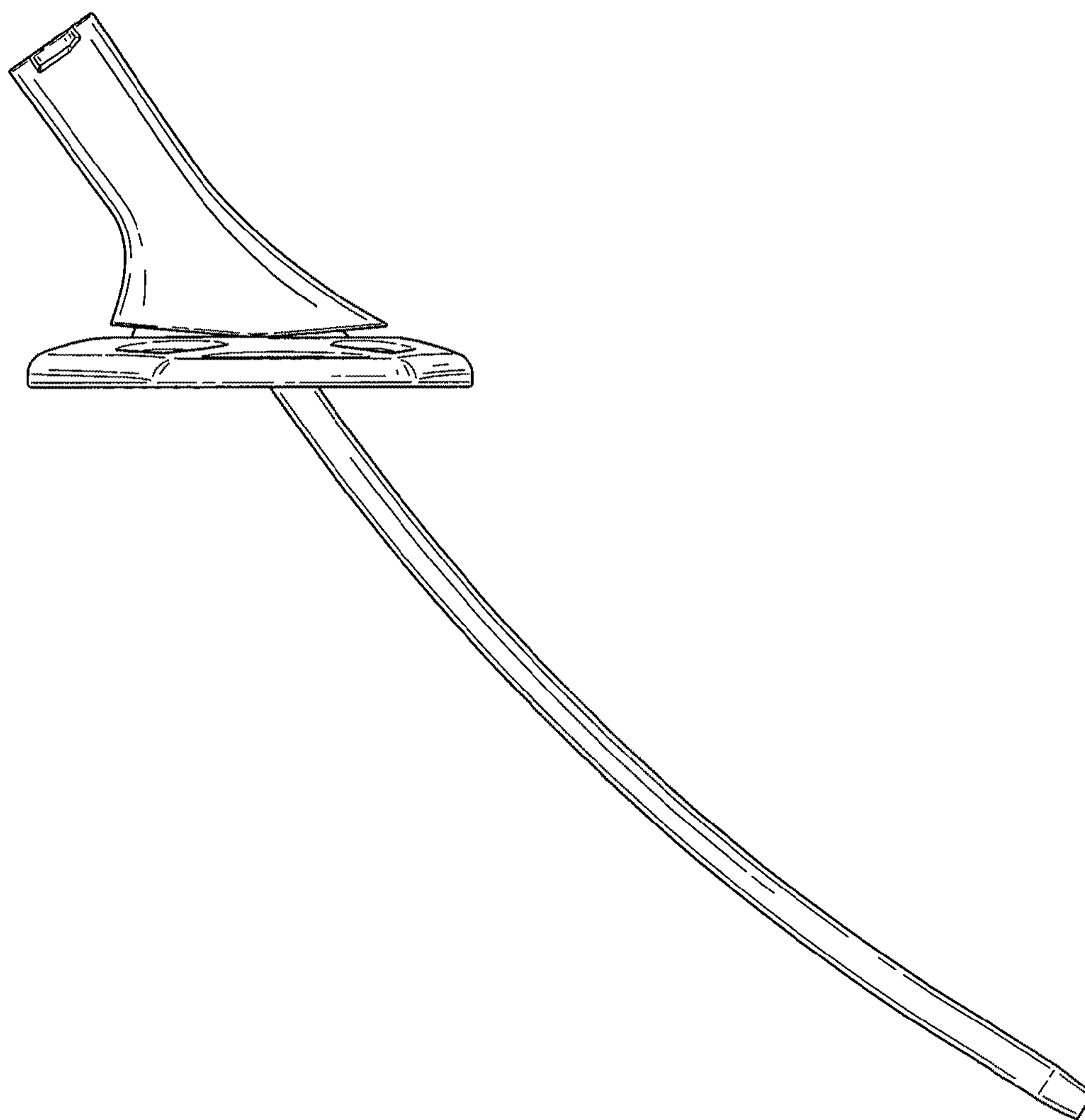


FIG. 5

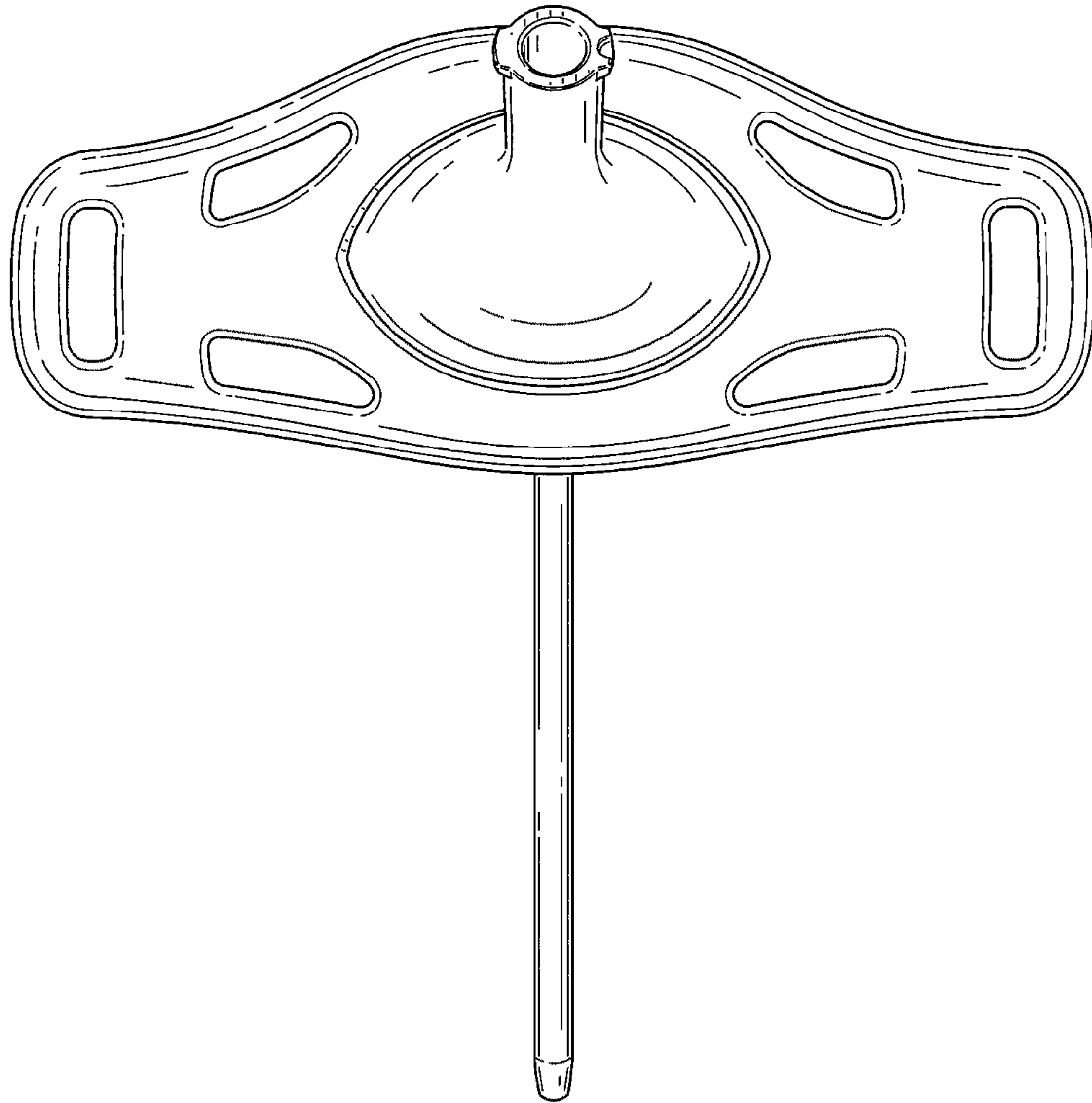


FIG. 6

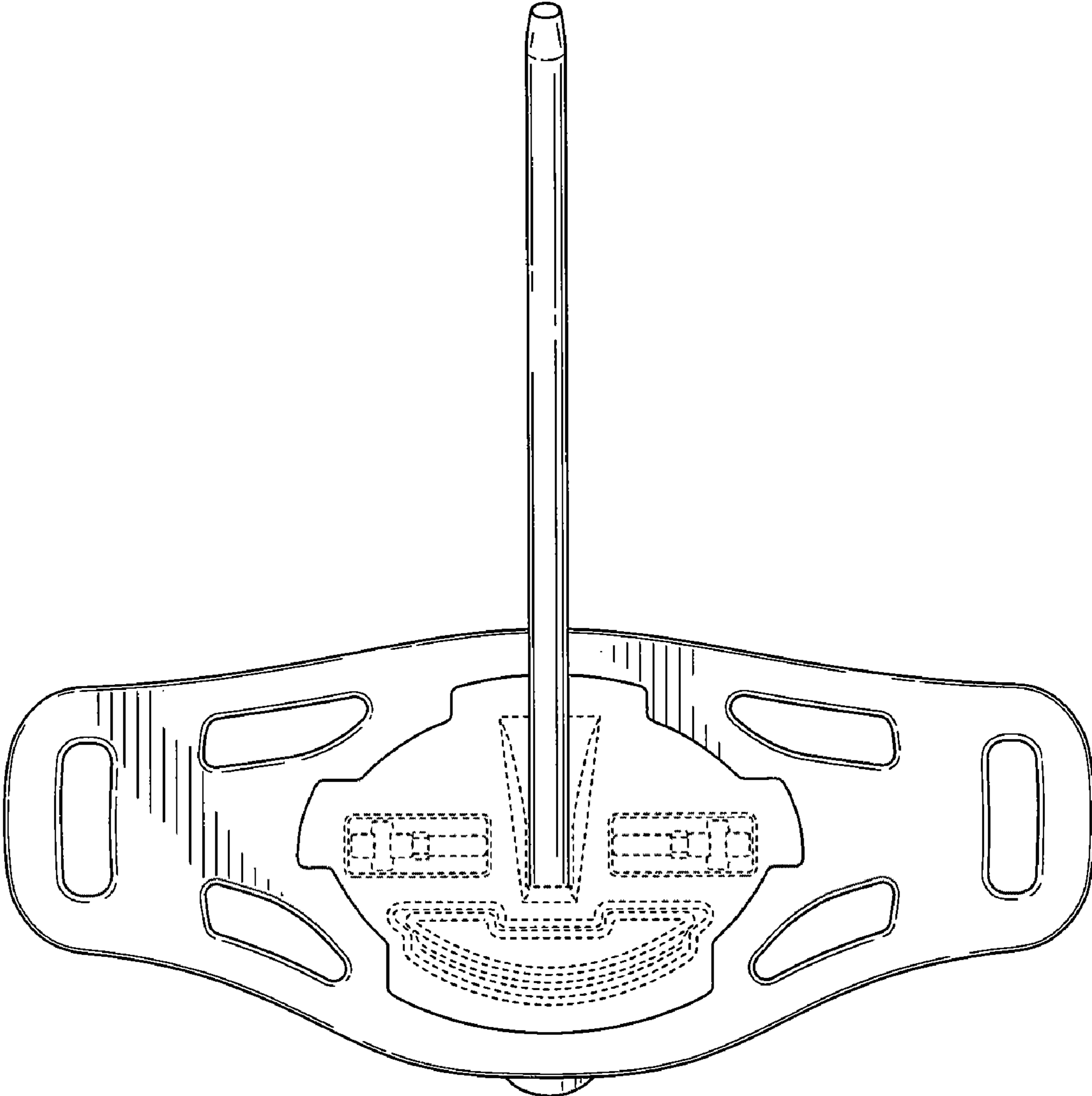


FIG. 7