



US00D654579S

(12) **United States Design Patent**
Smith et al.

(10) **Patent No.:** **US D654,579 S**
(45) **Date of Patent:** **** Feb. 21, 2012**

(54) **RADIANT HEATER**

(75) Inventors: **Scott David Smith**, North Ryde (AU);
Mark Stewart Michalowsky, Vaucluse (AU)

(73) Assignee: **Bromic Heating Pty Limited**, Sydney (AU)

(**) Term: **14 Years**

(21) Appl. No.: **29/386,203**

(22) Filed: **Feb. 25, 2011**

(51) **LOC (9) Cl.** **23-01**

(52) **U.S. Cl.** **D23/342**

(58) **Field of Classification Search** D23/317,
D23/314, 332, 333, 334, 335, 337, 342, 351,
D23/355, 378, 370, 381, 364, 336, 341, 330;
416/244 R, 247 R, 53.1-53.3; 392/365, 367
See application file for complete search history.

(56) **References Cited**

U.S. PATENT DOCUMENTS

D195,878 S * 8/1963 Zimmerman D23/328
(Continued)

Primary Examiner — T. Chase Nelson

Assistant Examiner — Ania Dworzecka

(74) *Attorney, Agent, or Firm* — The Maxham Firm

(57) **CLAIM**

The ornamental design for a radiant heater, as shown and described.

DESCRIPTION

FIG. 1 is an isometric view of a first embodiment of the radiant heater according to the invention, showing the front face as curved and having a full face mesh with round holes, and configured with a heat shield;

FIG. 2 is a left end view of the radiant heater in FIG. 1, the right end view being a mirror image thereof;

FIG. 3 is a front face view of the heater element of FIG. 1;

FIG. 4 is a top view of the radiant heater of FIG. 1;

FIG. 5 is a bottom view of the radiant heater of FIG. 1;

FIG. 6 is a front elevation view of the radiant heater of FIG. 1;

FIG. 7 is a second embodiment of the front face view of the radiant heater similar to FIG. 3 of the first embodiment in which the front face round holes of the first embodiment are instead oval holes;

FIG. 8 is a third embodiment of the front face view of the radiant heater similar to FIG. 3 of the first embodiment in which the front face round holes of the first embodiment are instead hexagonal holes;

FIG. 9 is a fourth embodiment of the front face view of the radiant heater similar to FIG. 3 of the first embodiment in which the front face round holes of the first embodiment are instead square holes;

FIG. 10 is an isometric view of a fifth embodiment of the radiant heater according to the invention, showing the front face as angled and having a full face mesh with round holes;

FIG. 11 is a left end view of the radiant heater in FIG. 10, the right end view being a mirror image thereof;

FIG. 12 is a front face view of the heater element of FIG. 10;

FIG. 13 is a top view of the radiant heater of FIG. 10;

FIG. 14 is a bottom view of the radiant heater of FIG. 10;

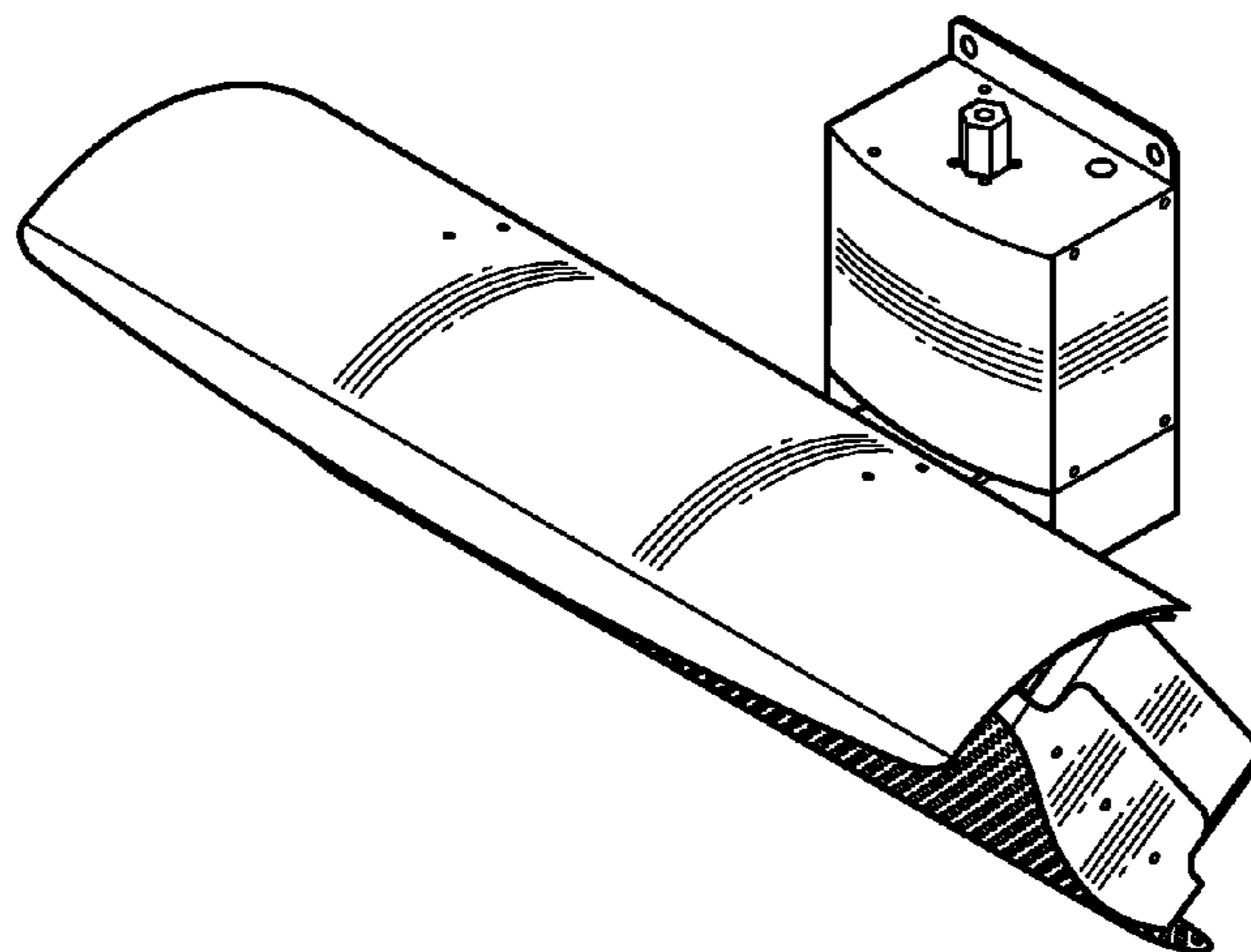
FIG. 15 is a front elevation view of the radiant heater of FIG. 10;

FIG. 16 is a sixth embodiment of the front face view of the radiant heater similar to FIG. 12 of the fifth embodiment in which the front face round holes of the fifth embodiment are instead oval holes;

FIG. 17 is a seventh embodiment of the front face view of the radiant heater similar to FIG. 12 of the fifth embodiment in which the front face round holes of the fifth embodiment are instead hexagonal holes; and,

FIG. 18 is an eighth embodiment of the front face view of the radiant heater similar to FIG. 12 of the fifth embodiment in which the front face round holes of the fifth embodiment are instead square holes.

1 Claim, 6 Drawing Sheets



US D654,579 S

Page 2

U.S. PATENT DOCUMENTS

D225,639 S *	12/1972	Smith	D23/385	D558,865 S	1/2008	Yoo et al.	
D282,202 S *	1/1986	Ellersick	D15/144.1	D619,231 S *	7/2010	Yeung D23/317
D379,650 S	6/1997	Smith et al.			D627,450 S *	11/2010	Hall et al. D23/332
6,334,439 B1 *	1/2002	Specht et al.	126/91 A	D627,451 S *	11/2010	Hall et al. D23/332
7,013,080 B1	3/2006	Kaplanis et al.			D627,868 S *	11/2010	Hall et al. D23/332
D534,627 S	1/2007	Stokes			2004/0026400 A1	2/2004	Ptak	
D545,420 S	6/2007	Jacobsen			2006/0198084 A1 *	9/2006	Hall et al. 361/600
D551,327 S *	9/2007	Lamanna et al.	D23/314	2008/0152329 A1 *	6/2008	Saunders et al. 392/407

* cited by examiner

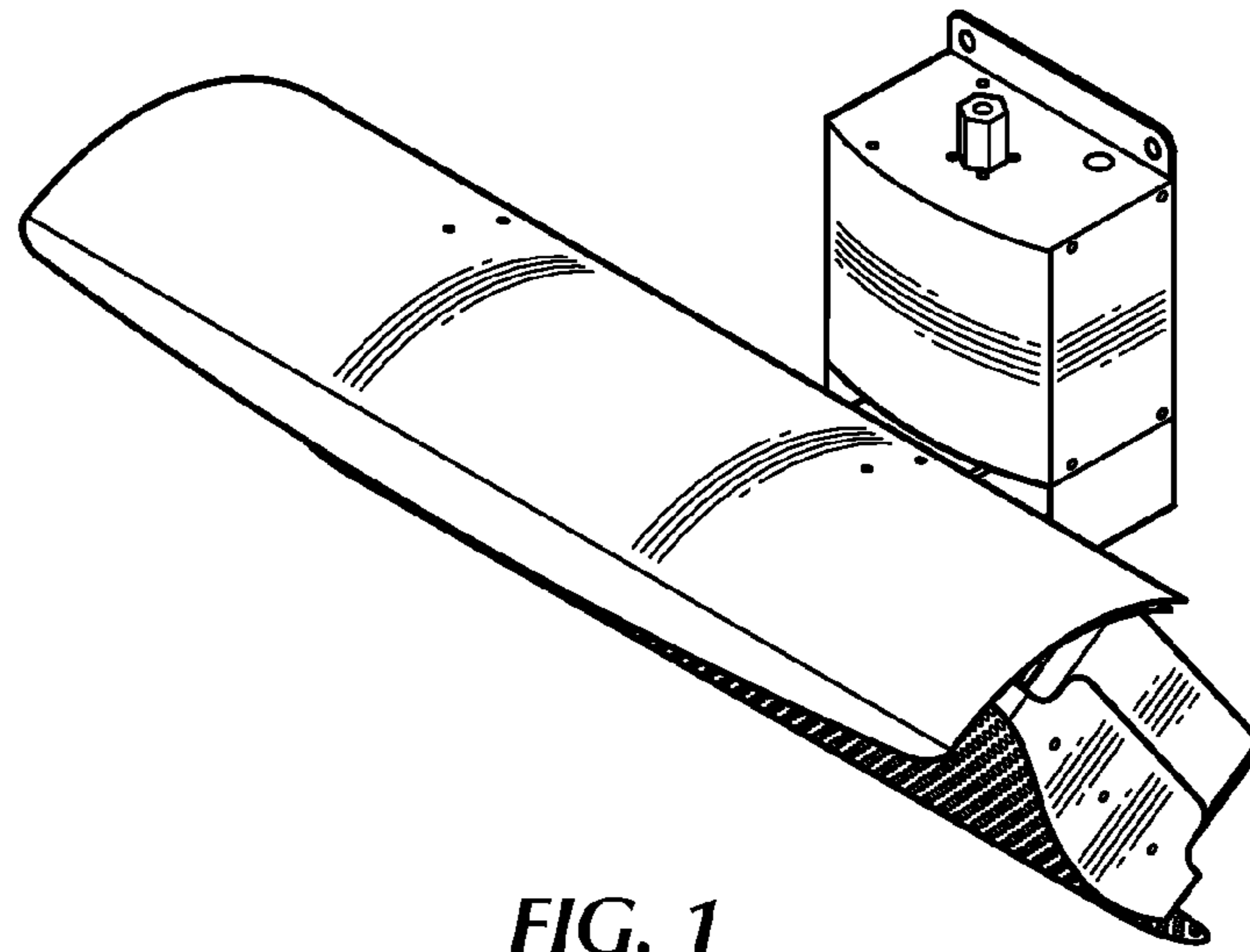


FIG. 1

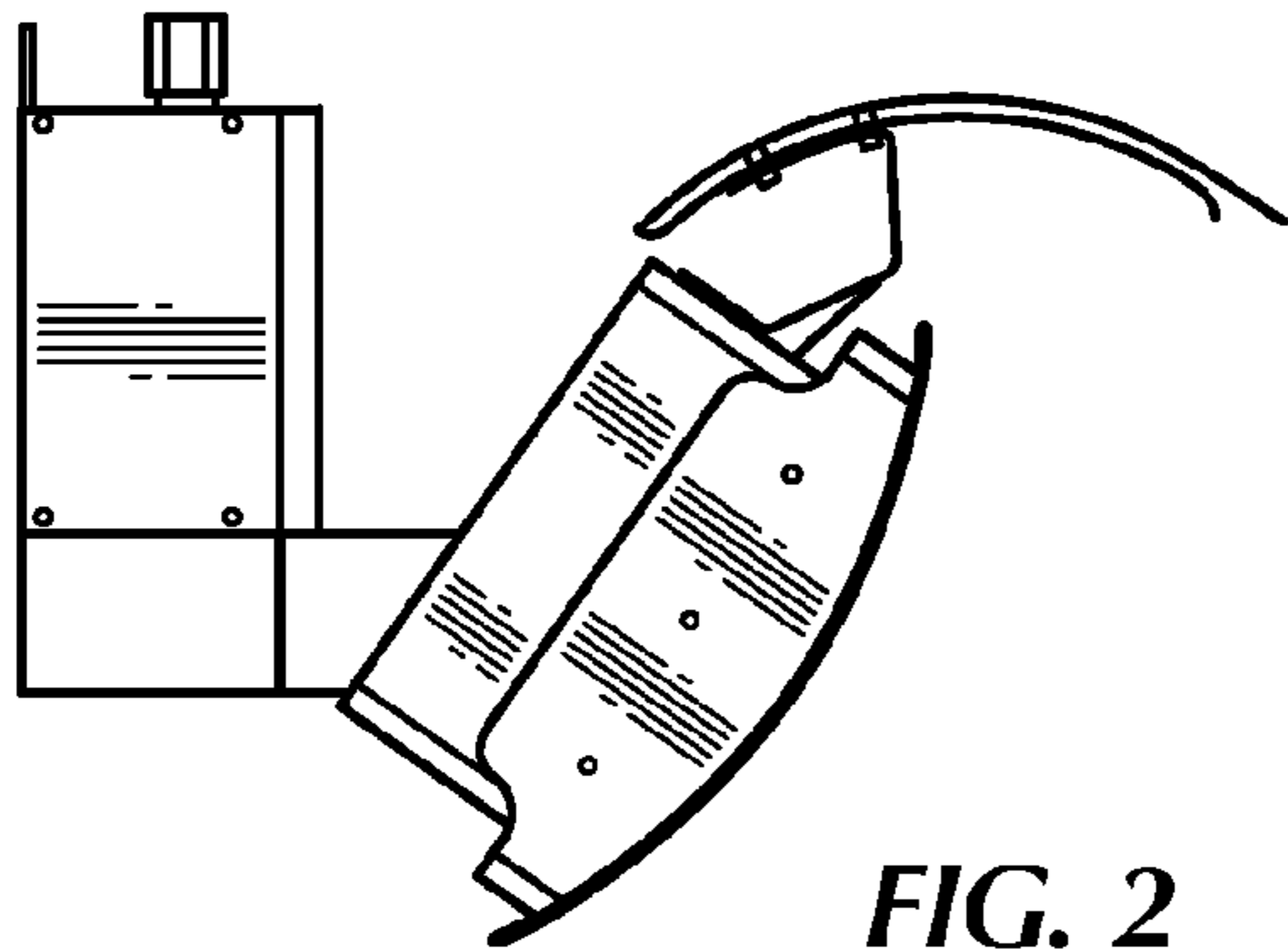


FIG. 2

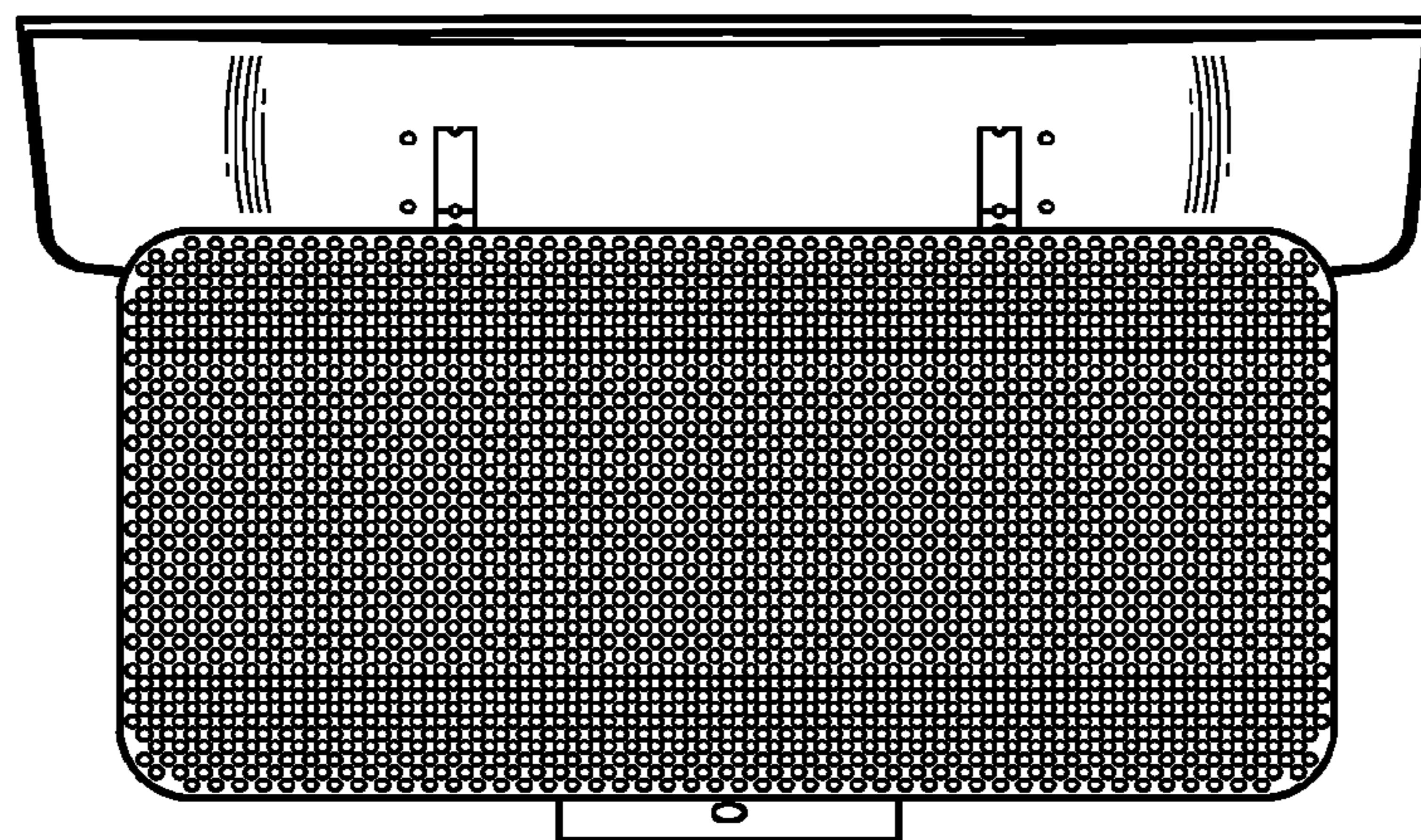


FIG. 3

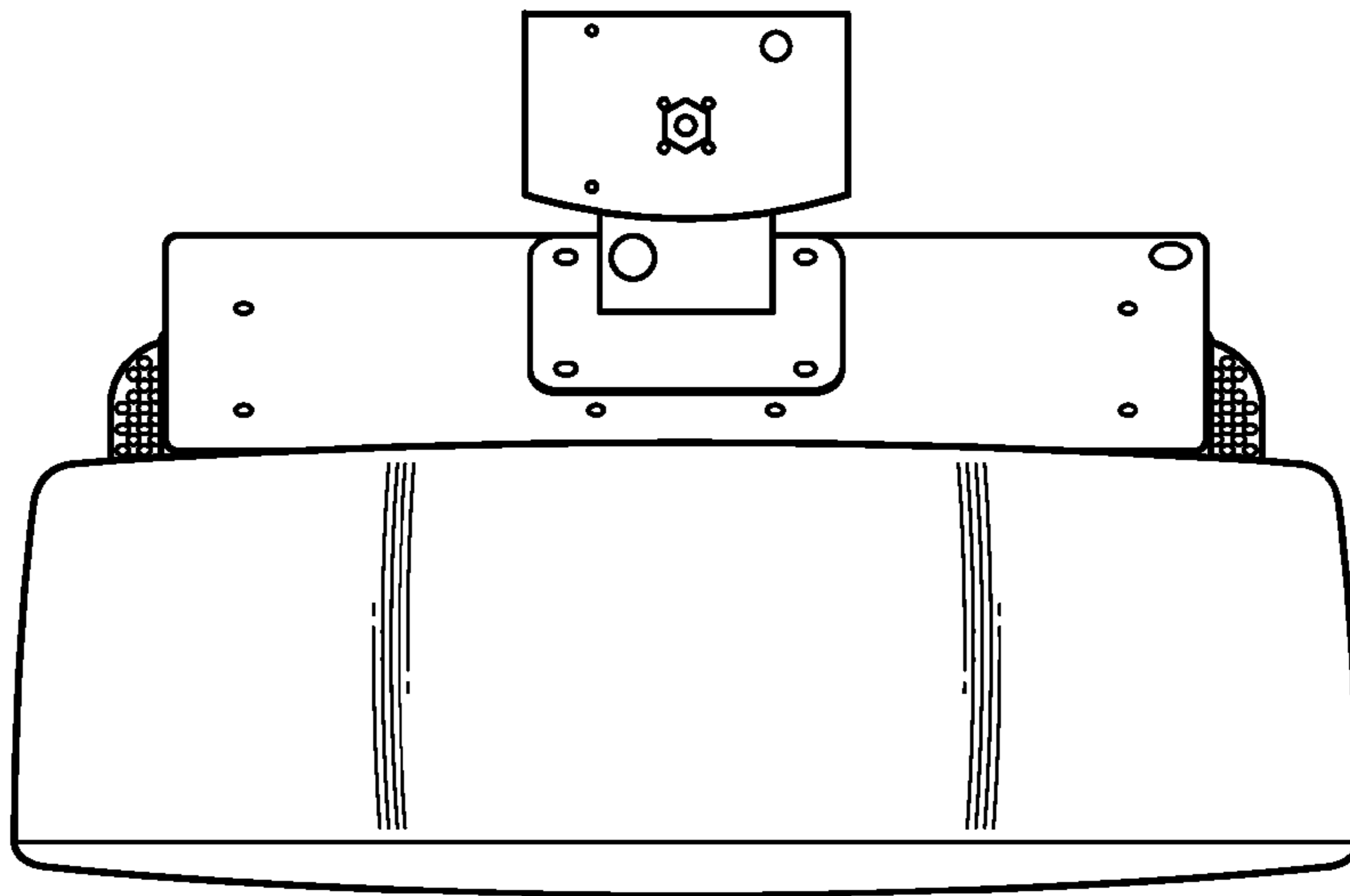


FIG. 4

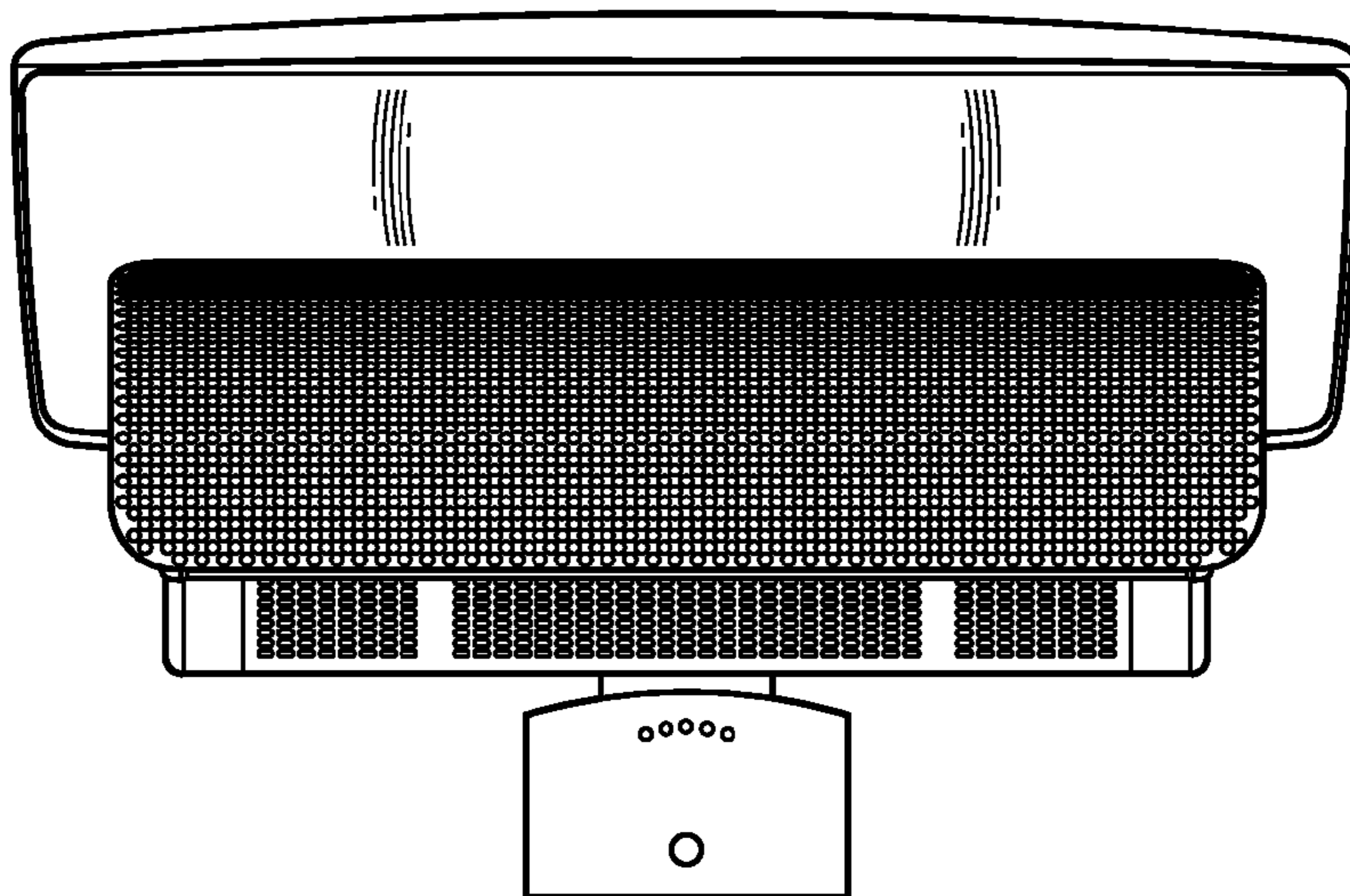


FIG. 5

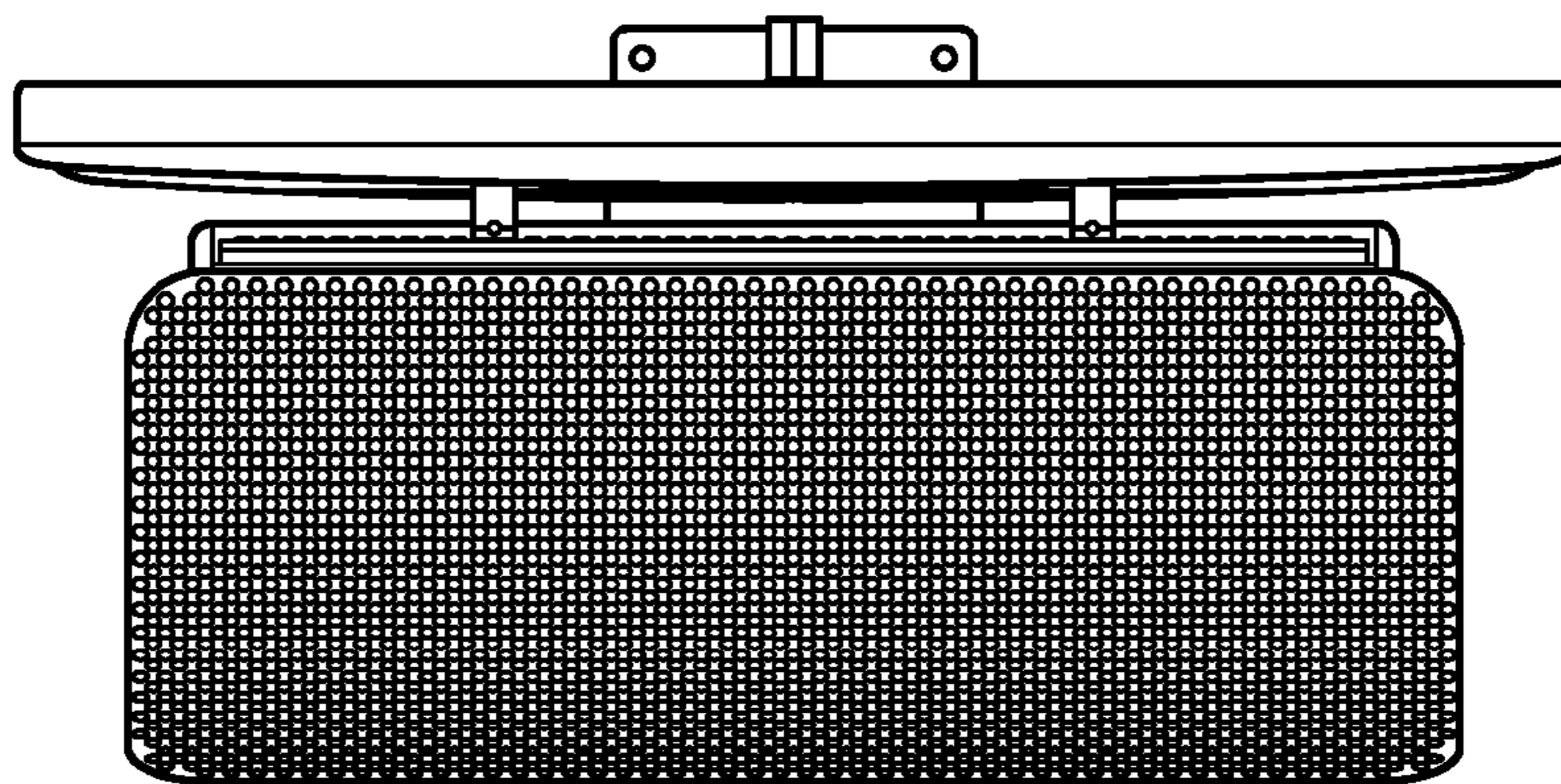


FIG. 6

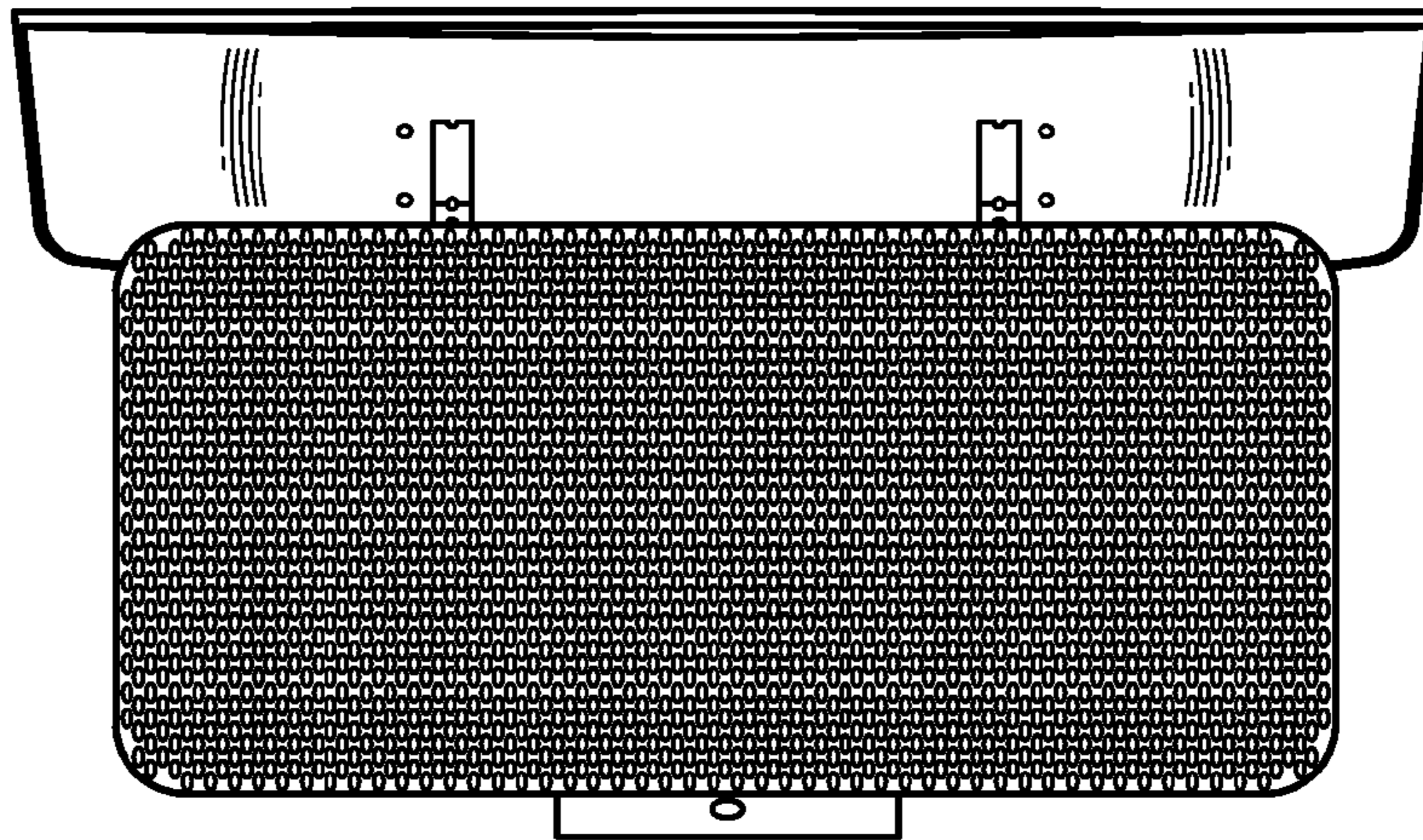


FIG. 7

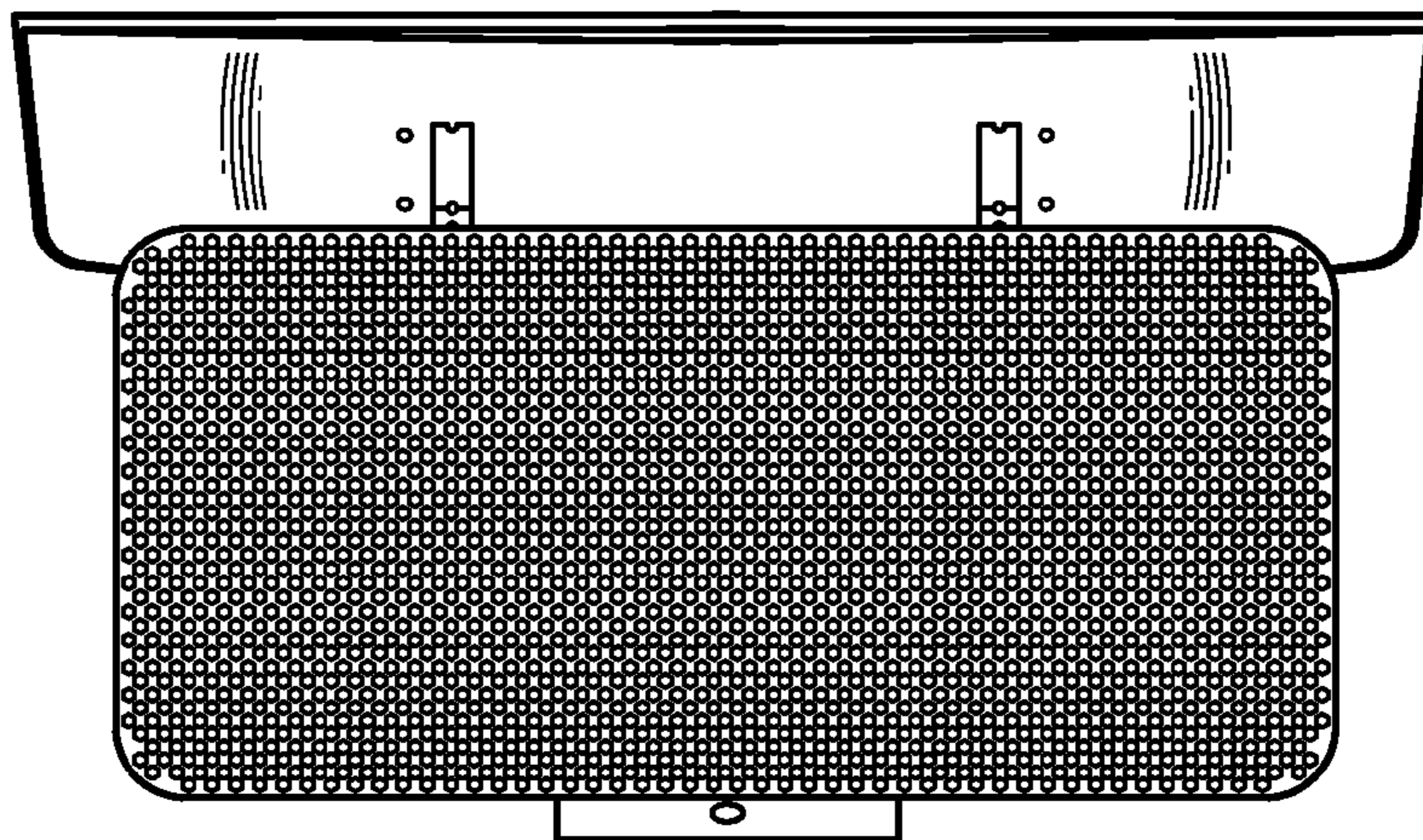


FIG. 8

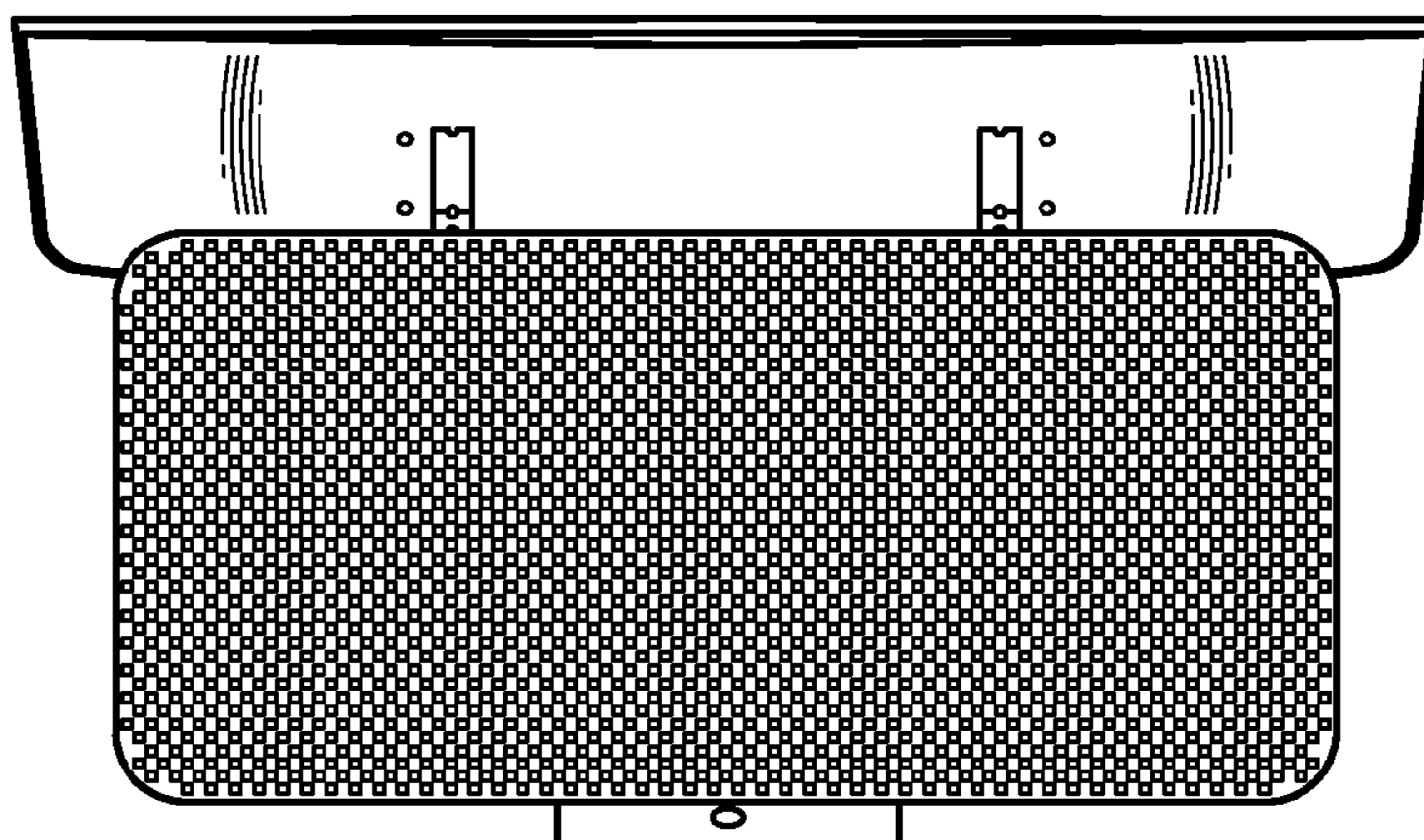


FIG. 9

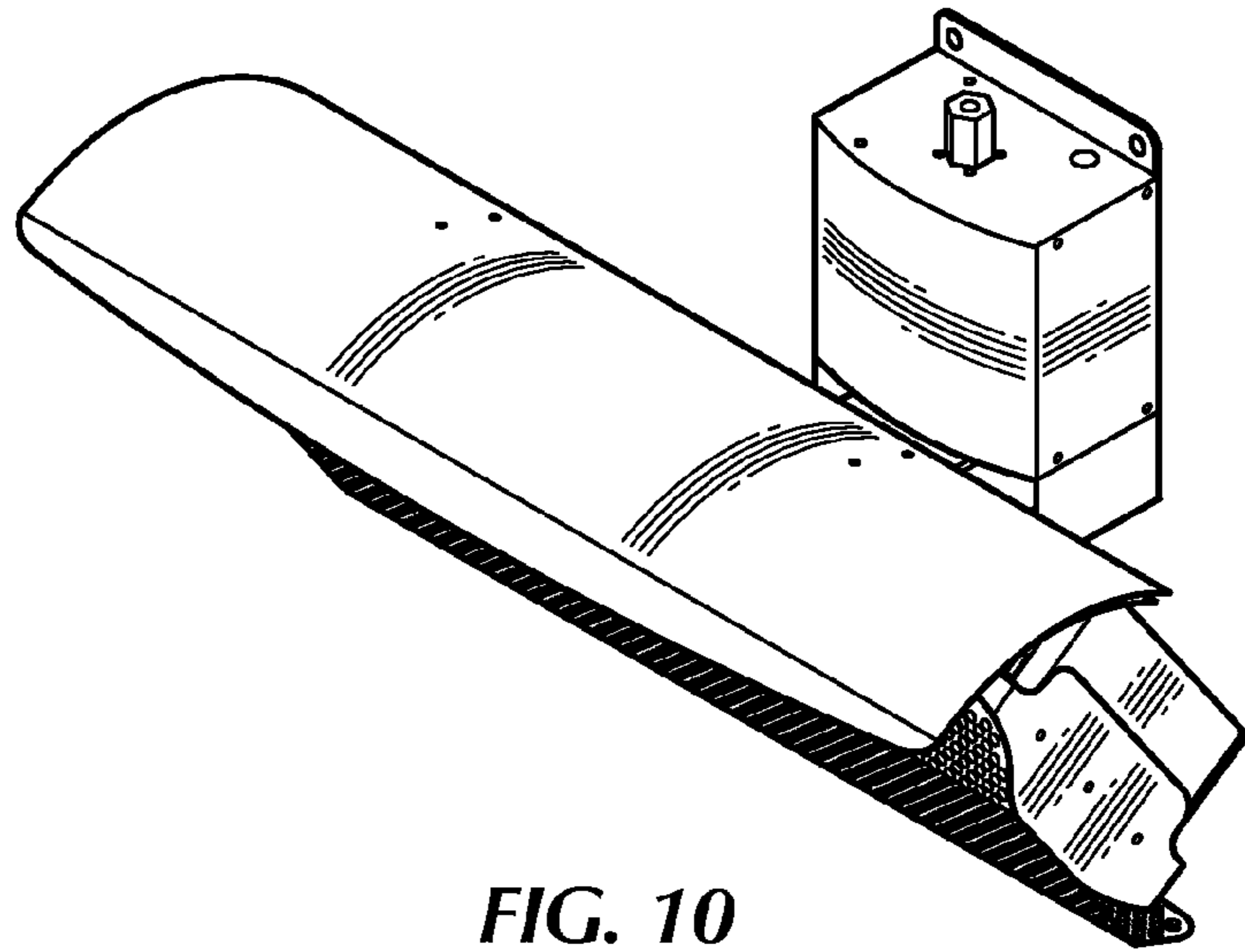


FIG. 10

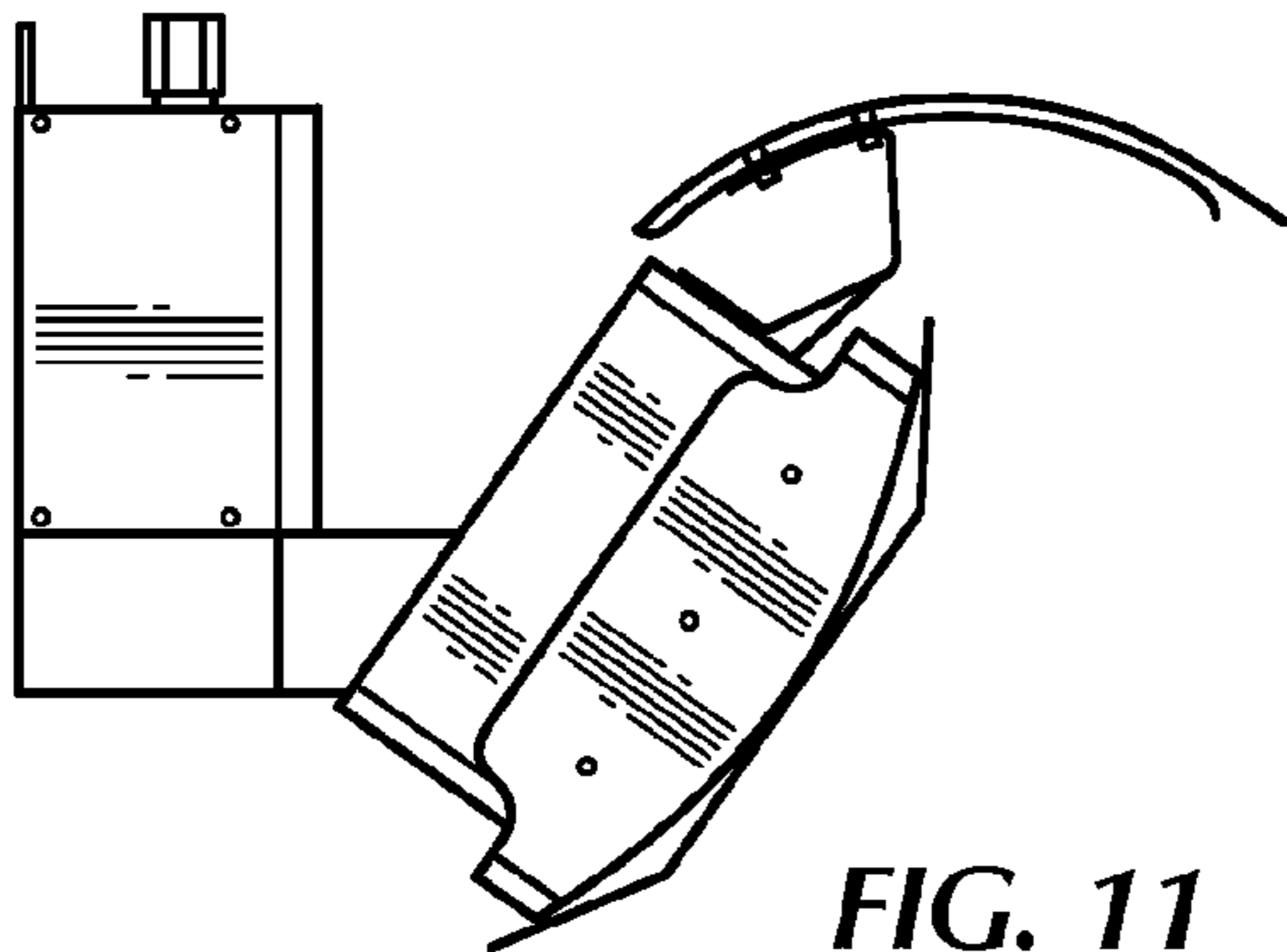


FIG. 11

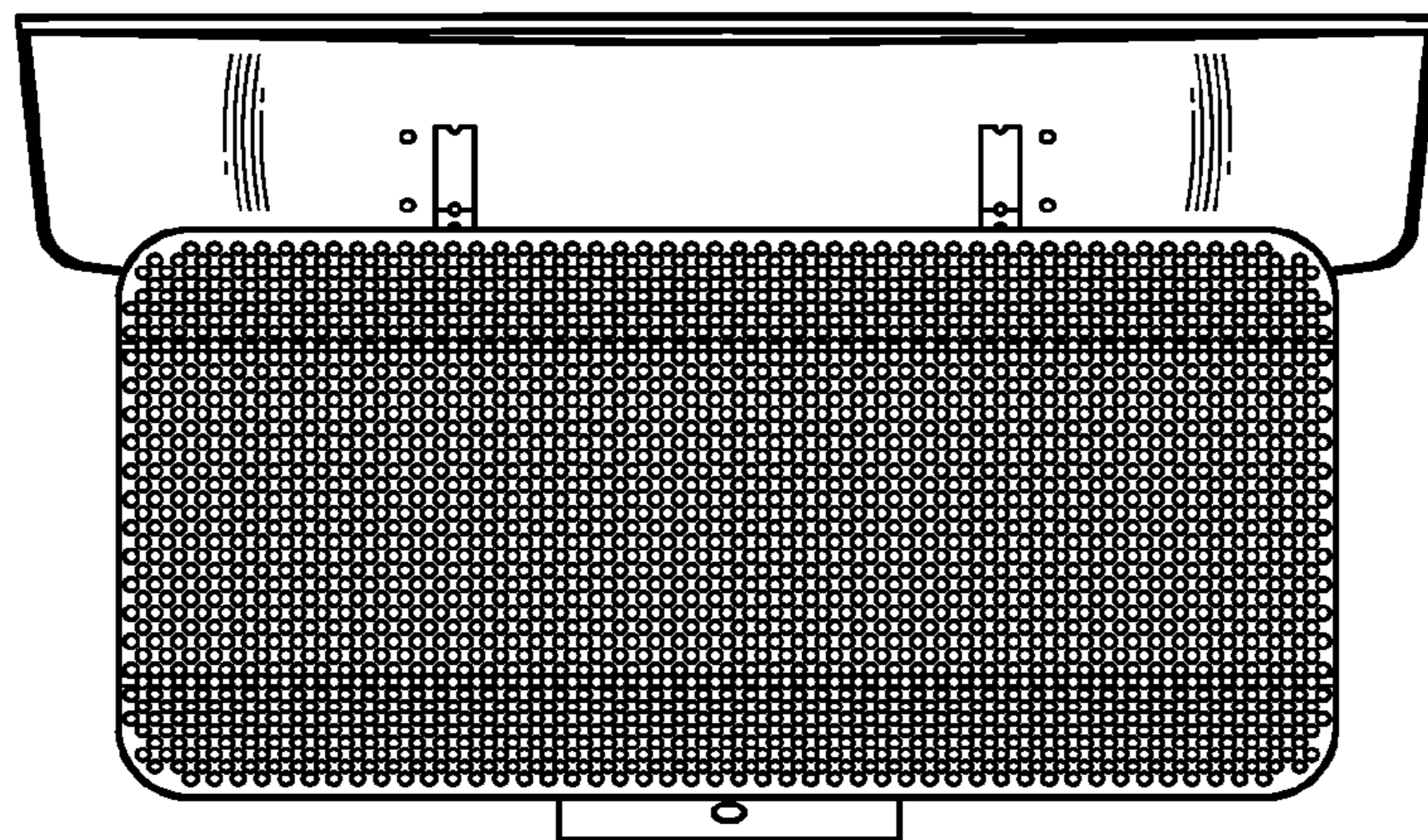


FIG. 12

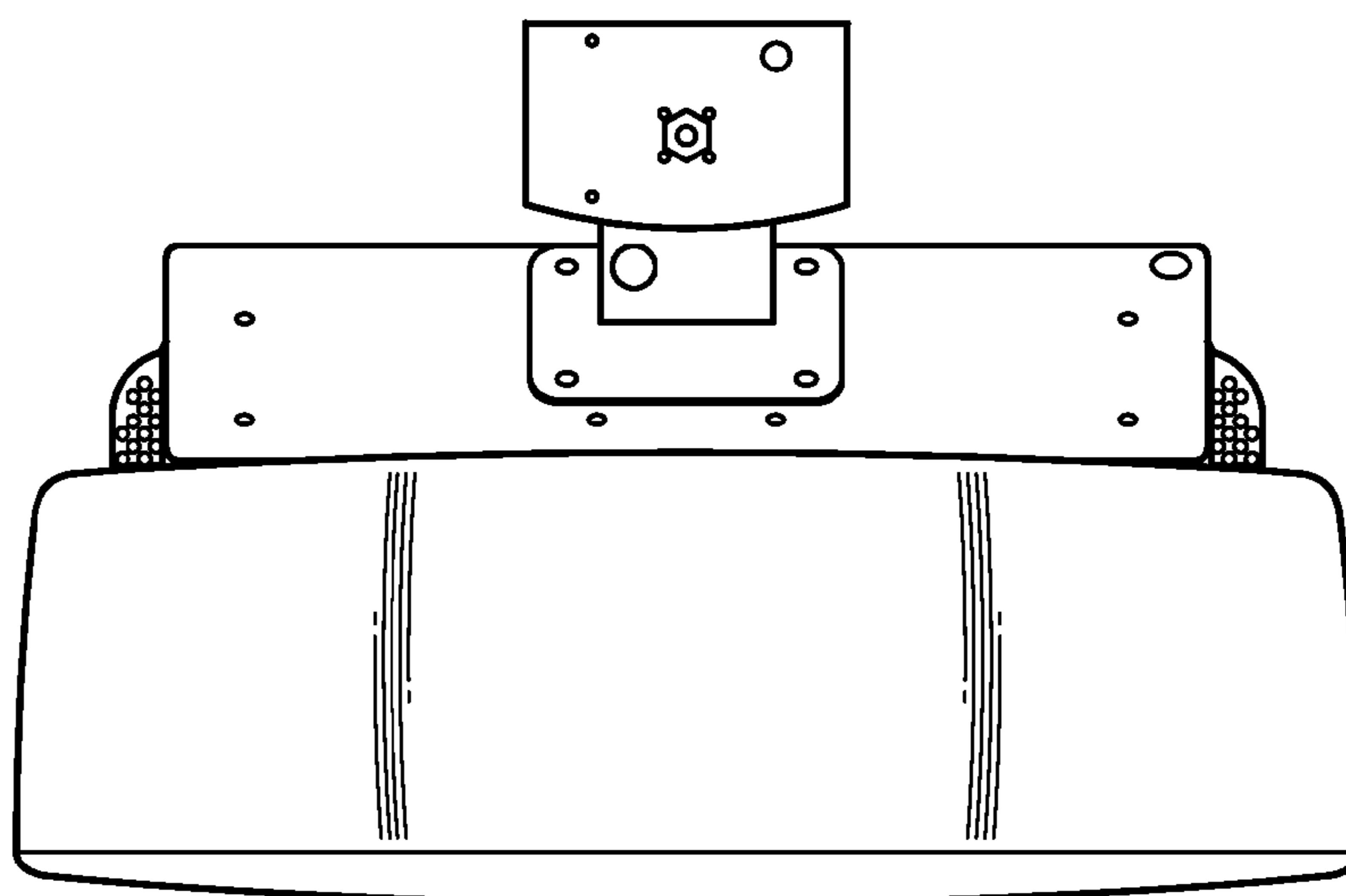


FIG. 13

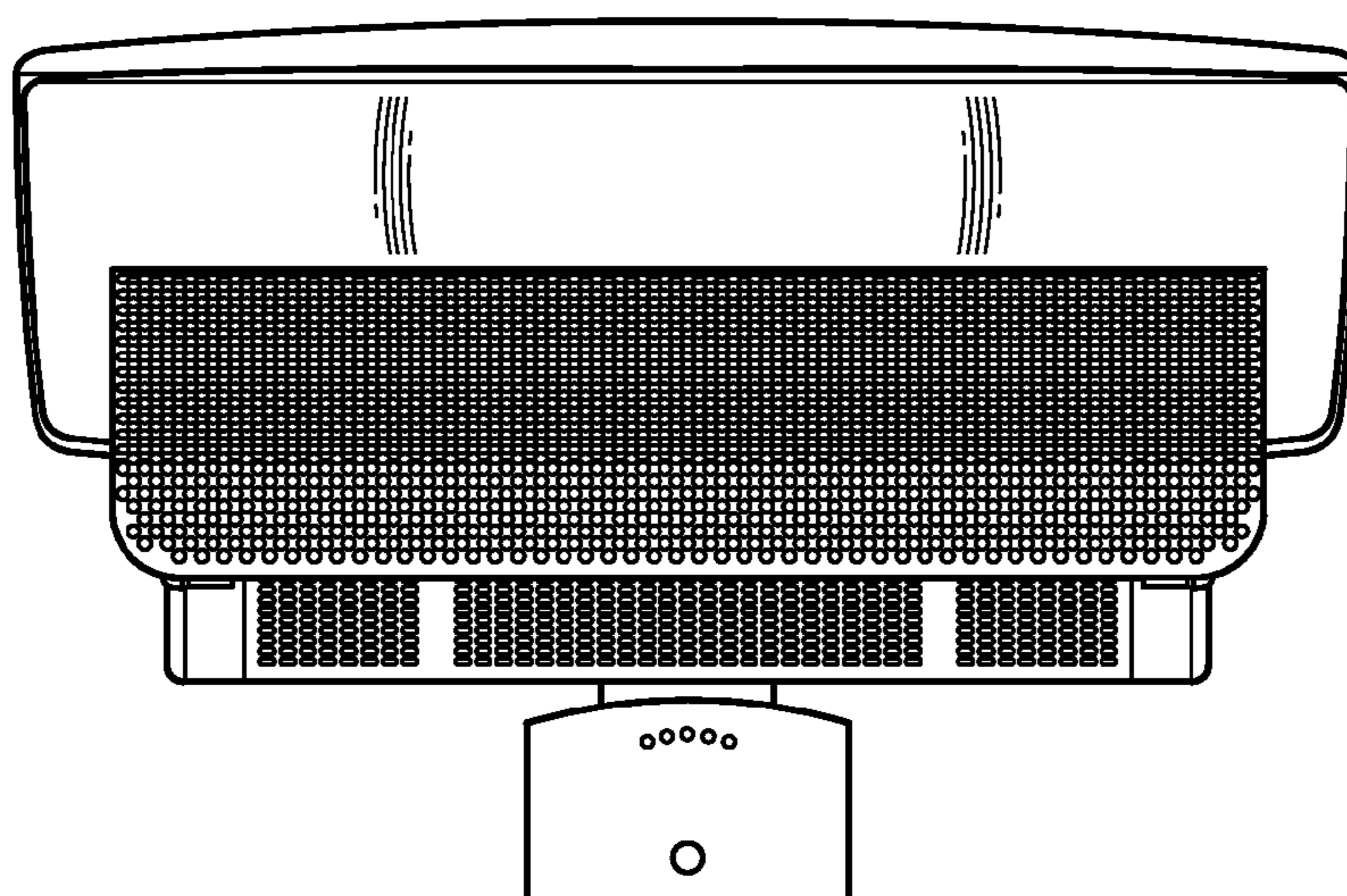


FIG. 14

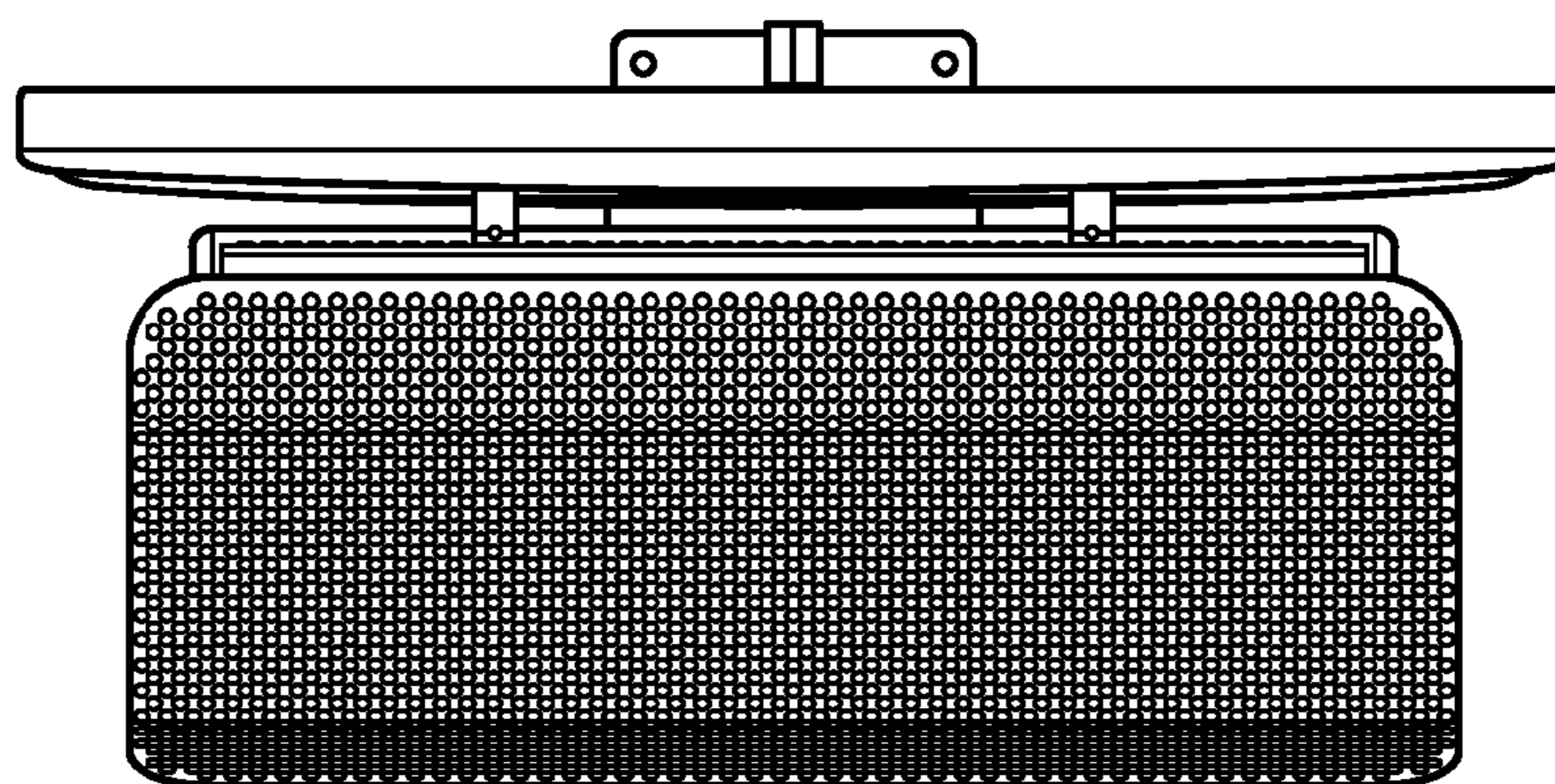


FIG. 15

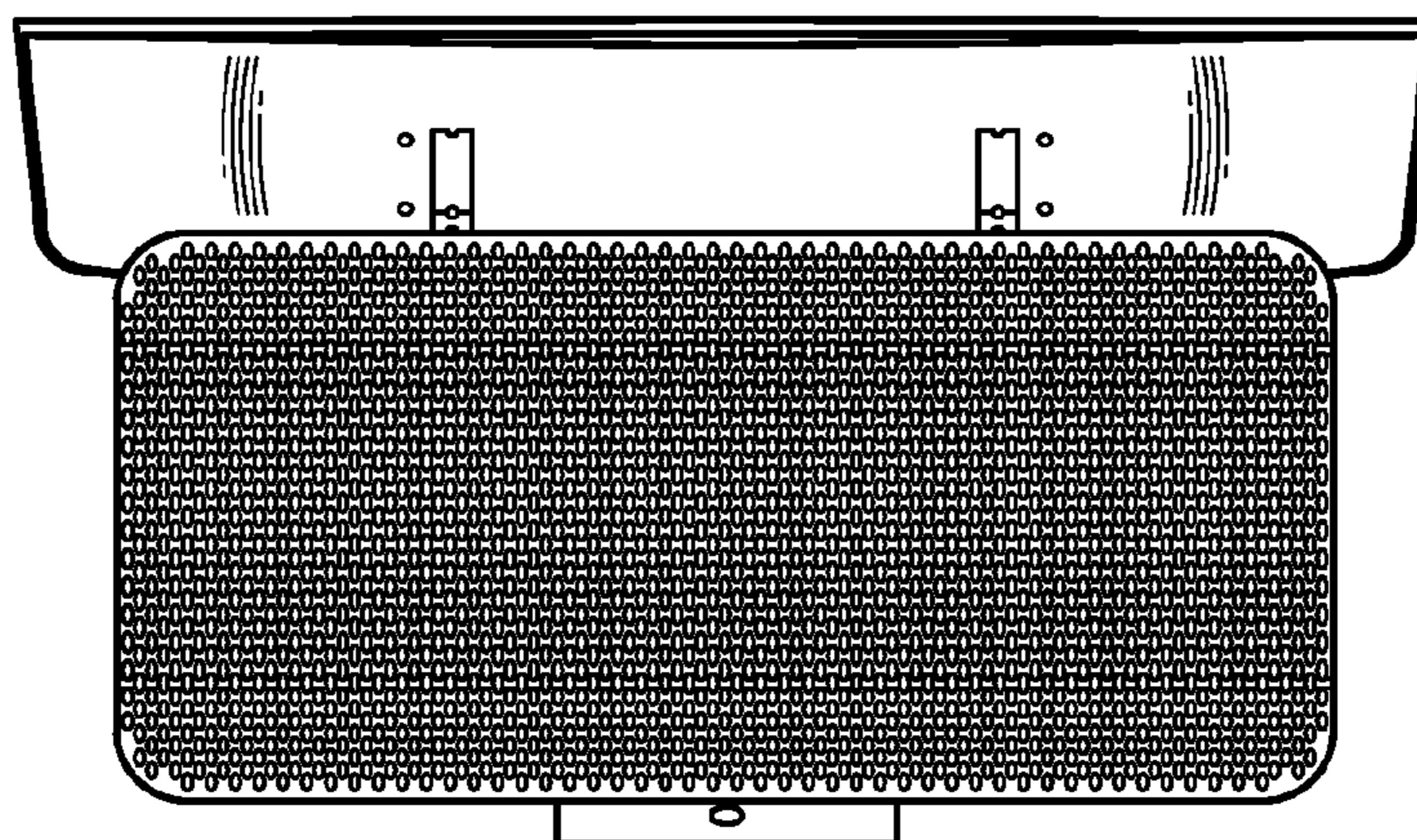


FIG. 16

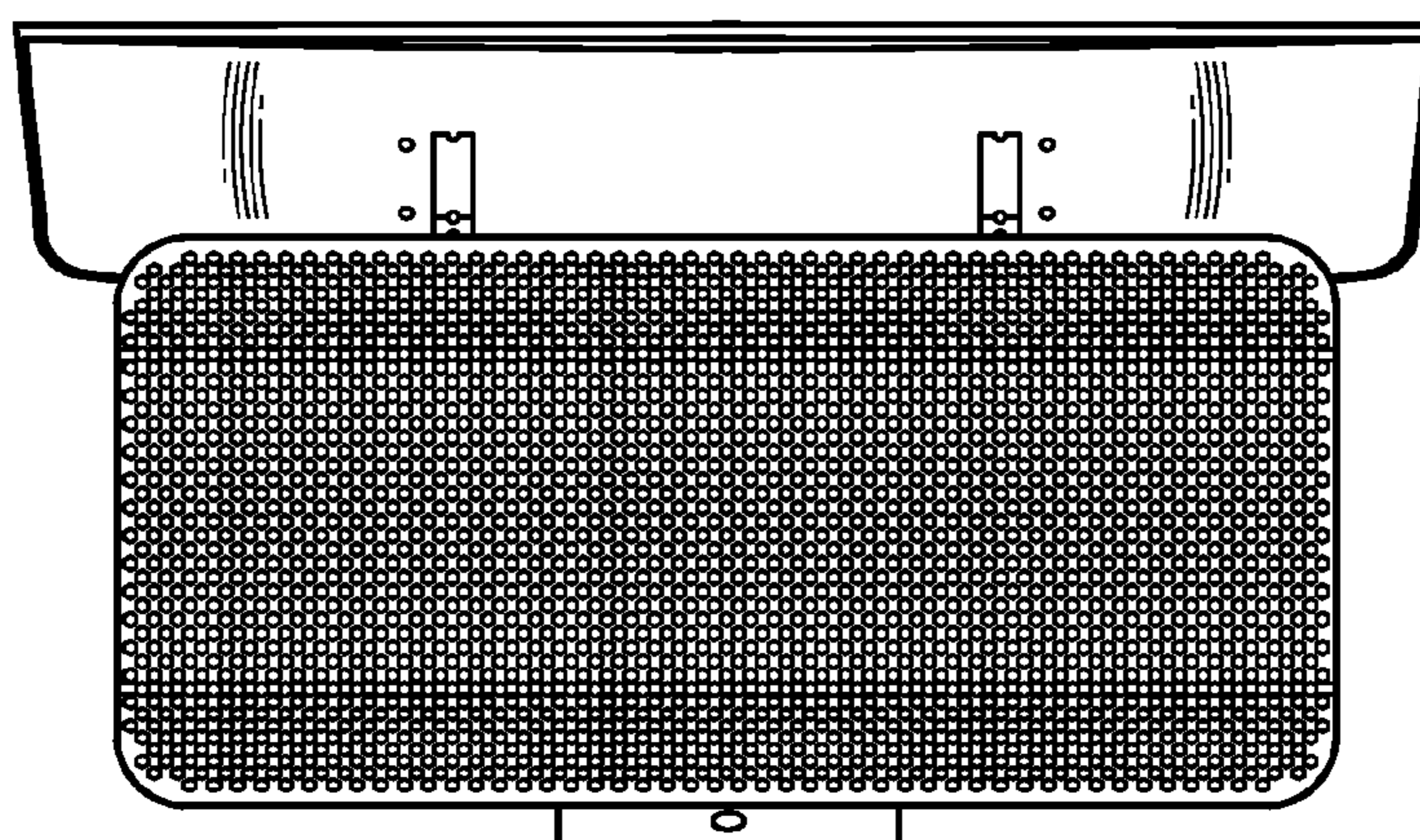


FIG. 17

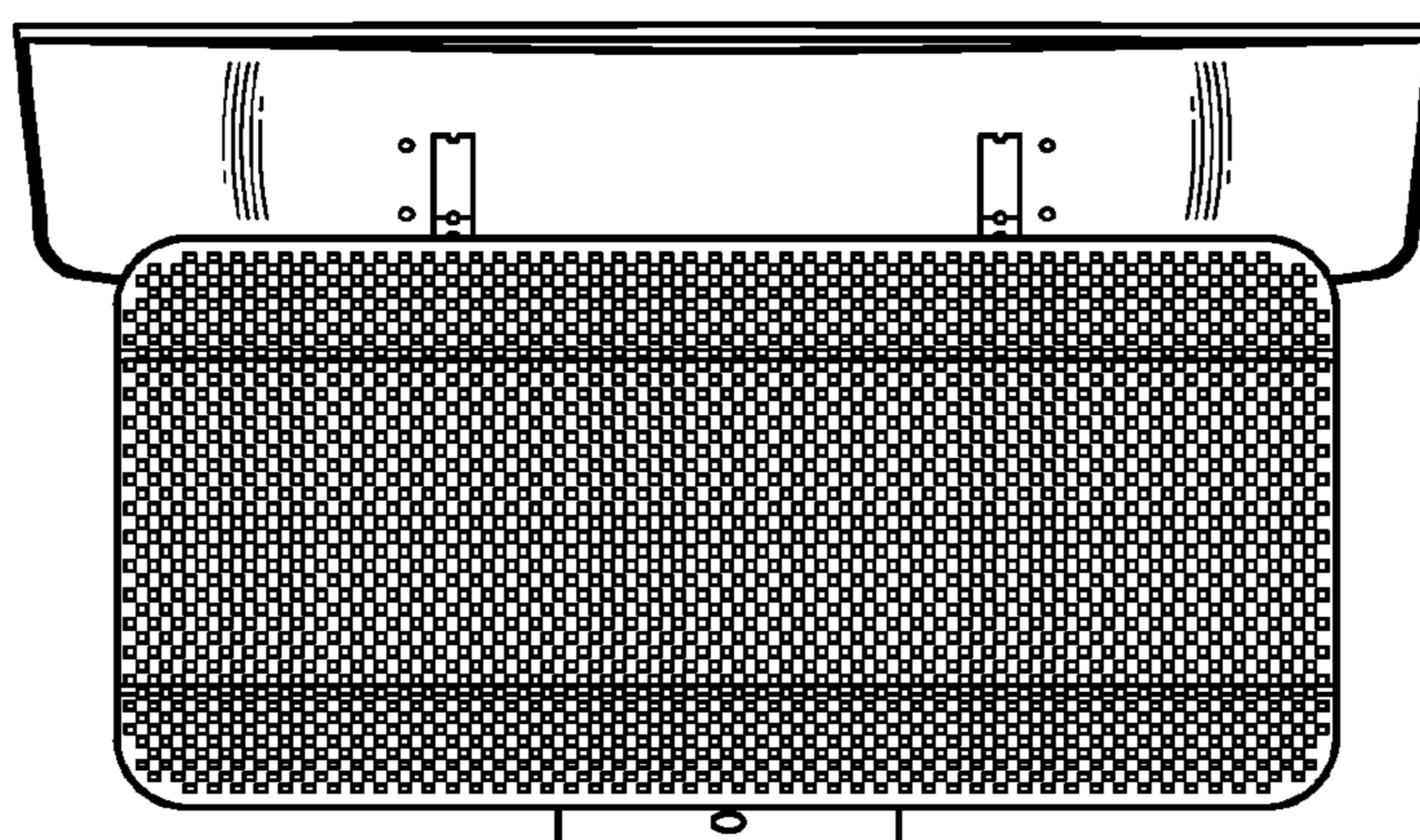


FIG. 18