



US00D654577S

(12) **United States Design Patent**
Smith et al.

(10) **Patent No.:** **US D654,577 S**
(45) **Date of Patent:** **** Feb. 21, 2012**

(54) **MOBILE RADIANT HEATER**

DESCRIPTION

(75) Inventors: **Scott David Smith**, North Ryde (AU);
Mark Stewart Michalowsky, Vaucluse (AU)

(73) Assignee: **Bromic Heating Pty Limited**, Sydney (AU)

(**) Term: **14 Years**

(21) Appl. No.: **29/391,102**

(22) Filed: **May 3, 2011**

(51) **LOC (9) Cl.** **23-03**

(52) **U.S. Cl.** **D23/332; D23/317; D23/314**

(58) **Field of Classification Search** D23/323,
D23/328, 332, 336, 339, 342, 386, 338, 314,
D23/317; 126/25 R, 67, 92 A, 92 B, 9 A;
362/92, 217, 253; 431/331, 344

See application file for complete search history.

(56) **References Cited**

U.S. PATENT DOCUMENTS

D325,963 S * 5/1992 Anderson D23/342
(Continued)

OTHER PUBLICATIONS

Bromic Heat Flo Three Burner Radiant Heater (Photo).

Primary Examiner — T. Chase Nelson

Assistant Examiner — Ania Aman

(74) *Attorney, Agent, or Firm* — The Maxham Firm

(57) **CLAIM**

The ornamental design for a mobile radiant heater, as shown and described.

FIG. 1 is an isometric view of an embodiment of the mobile radiant heater according to the invention, showing a straight stem connecting the heater element to the container base;

FIG. 2 is a front view of the mobile radiant heater of FIG. 1; FIG. 3 is a back view of the mobile radiant heater of FIG. 1; FIG. 4 is a left side view of the mobile radiant heater of FIG. 1, the right side view being a mirror image thereof;

FIG. 5 is a top view of the mobile radiant heater of FIG. 1; FIG. 6 is a bottom view of the mobile radiant heater of FIG. 1; FIG. 7 is an isometric view of a second embodiment of the mobile radiant heater according to the invention, showing an angled stem connecting the heater element of FIG. 1 to the container base of FIG. 1;

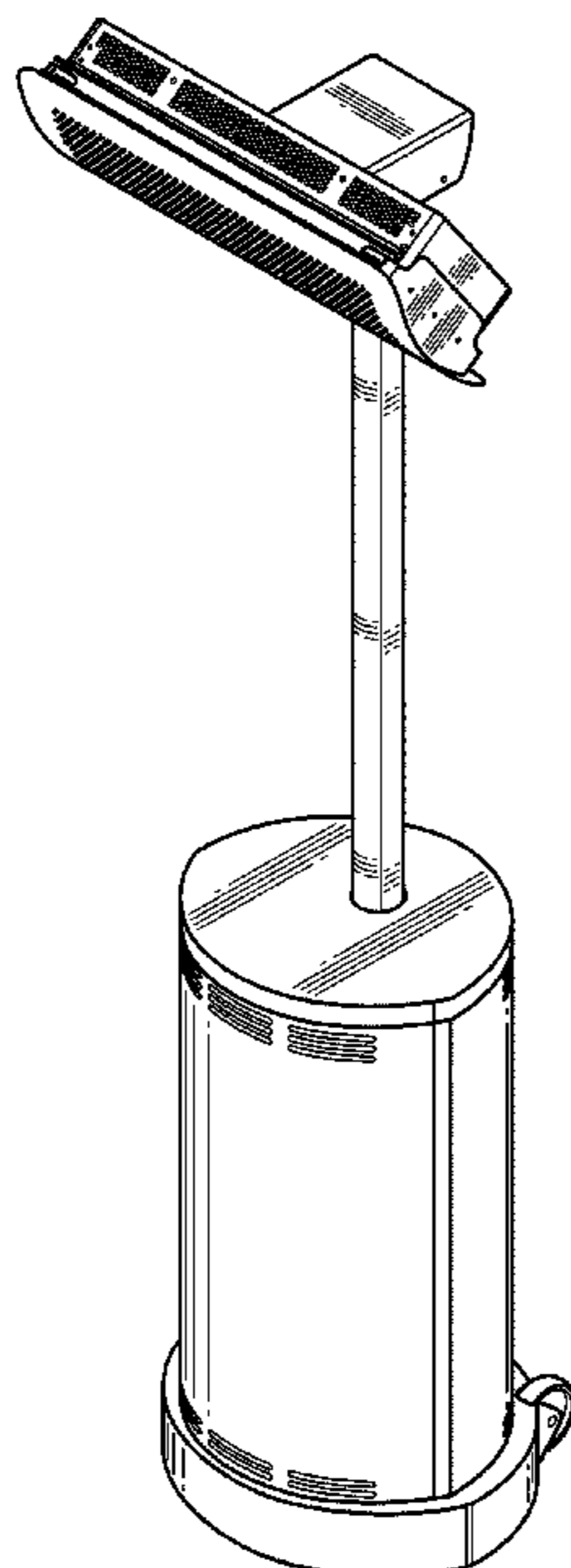
FIG. 8 is a front view of the mobile radiant heater of FIG. 7; FIG. 9 is a back view of the mobile radiant heater of FIG. 7; FIG. 10 is a left side view of the mobile radiant heater of FIG. 7, the right side view being a mirror image thereof; FIG. 11 is a top view of the mobile radiant heater of FIG. 7; FIG. 12 is a bottom view of the mobile radiant heater of FIG. 7;

FIG. 13 is an isometric view of a third embodiment of the mobile radiant heater according to the invention, showing a curved stem connecting the heater element of FIG. 1 to the container base of FIG. 1;

FIG. 14 is a front view of the mobile radiant heater of FIG. 13; FIG. 15 is a back view of the mobile radiant heater of FIG. 13; FIG. 16 is a left side view of the mobile radiant heater of FIG. 13, the right side view being a mirror image thereof; FIG. 17 is a top view of the mobile radiant heater of FIG. 13; and,

FIG. 18 is a bottom view of the mobile radiant heater of FIG. 13.

1 Claim, 9 Drawing Sheets



US D654,577 S

Page 2

U.S. PATENT DOCUMENTS

D379,650 S	6/1997	Smith et al.		D608,431 S *	1/2010	Wang	D23/332
D429,324 S *	8/2000	Olson et al.	D23/342	D616,972 S *	6/2010	Wang	D23/332
D446,290 S *	8/2001	Jeng	D23/328	D619,231 S *	7/2010	Yeung	D23/317
D450,816 S *	11/2001	Bilotti	D23/328	D627,450 S *	11/2010	Hall et al.	D23/332
D465,836 S *	11/2002	Smith et al.	D23/342	D627,451 S *	11/2010	Hall et al.	D23/332
6,550,470 B2 *	4/2003	Liang	126/92 B	D627,868 S *	11/2010	Hall et al.	D23/332
7,013,080 B1	3/2006	Kaplanis et al.		2003/0056782 A1 *	3/2003	Liang	126/92 B
D534,627 S	1/2007	Stokes		2004/0026400 A1	2/2004	Ptak	
D545,420 S	6/2007	Jacobsen		2008/0152329 A1 *	6/2008	Saunders et al.	392/407
D558,865 S	1/2008	Yoo et al.					

* cited by examiner

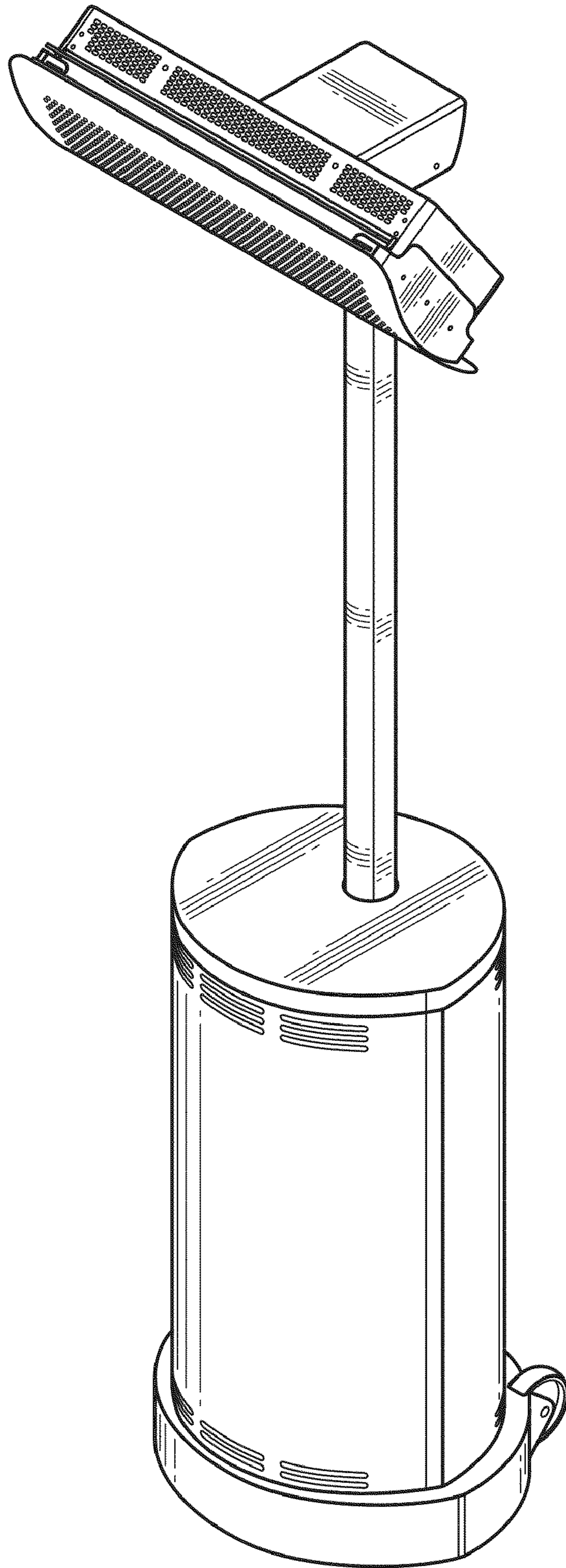


FIG. 1

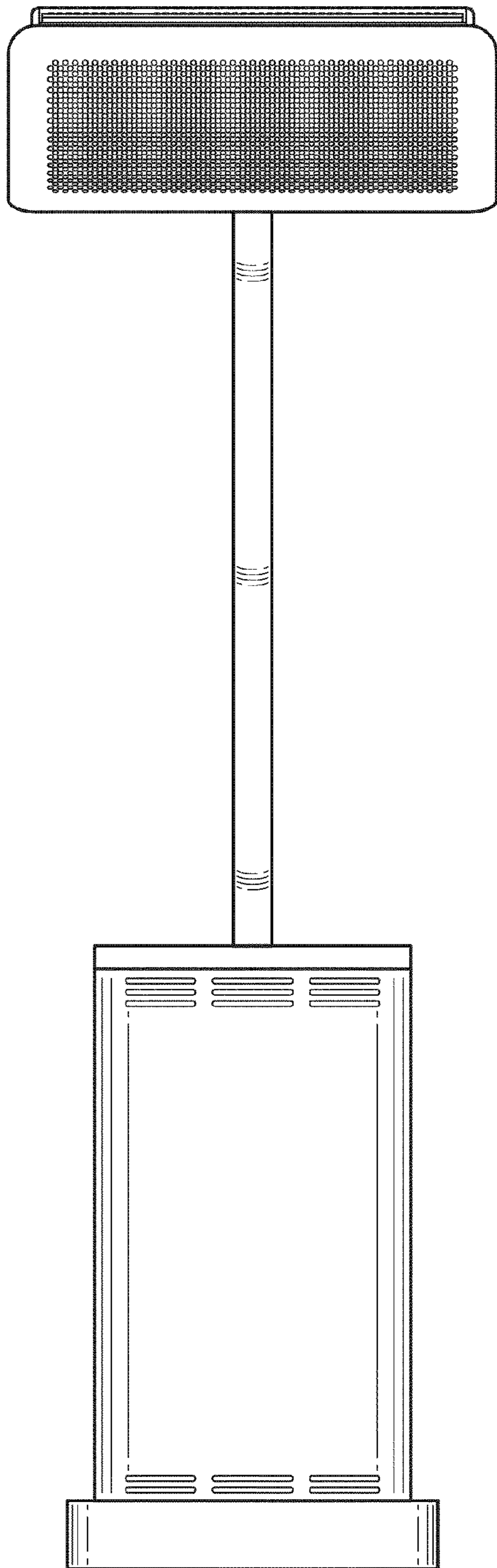


FIG. 2

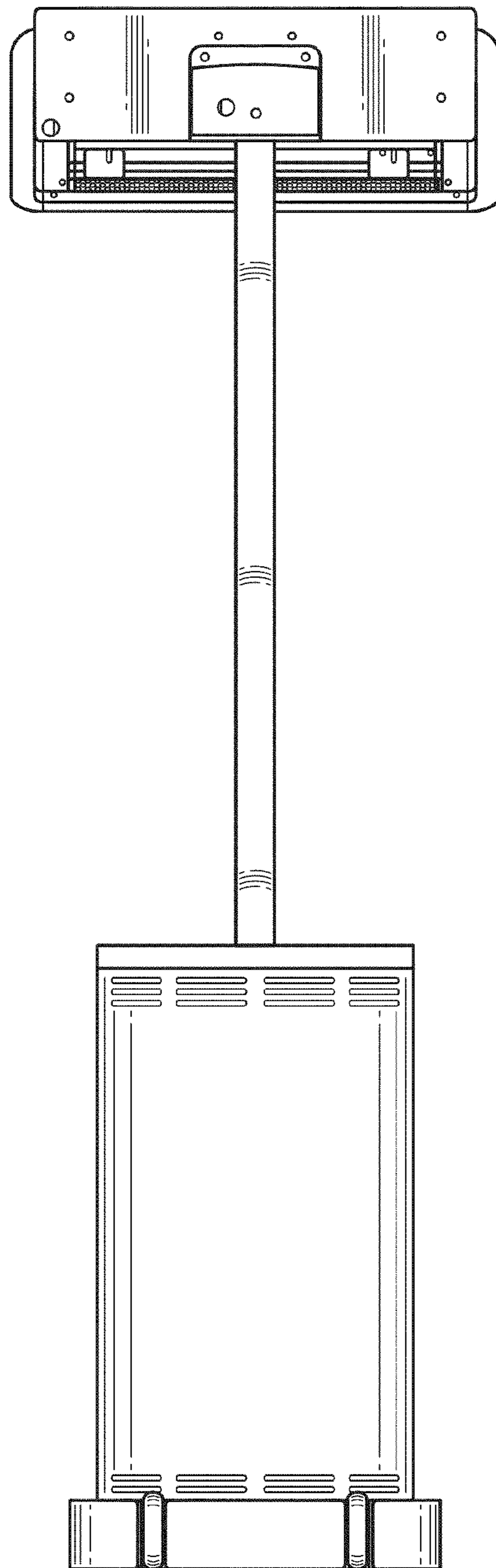


FIG. 3

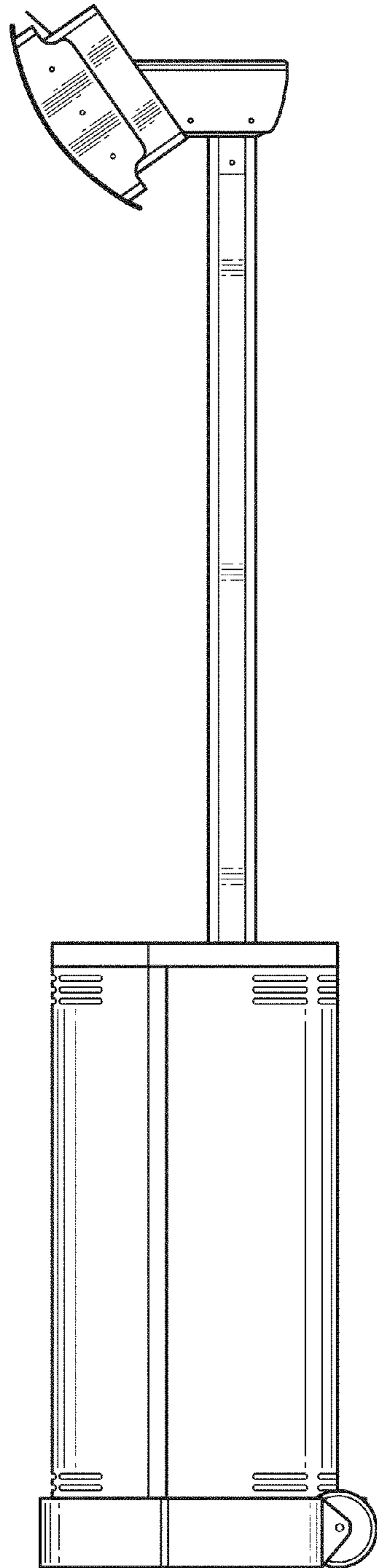


FIG. 4

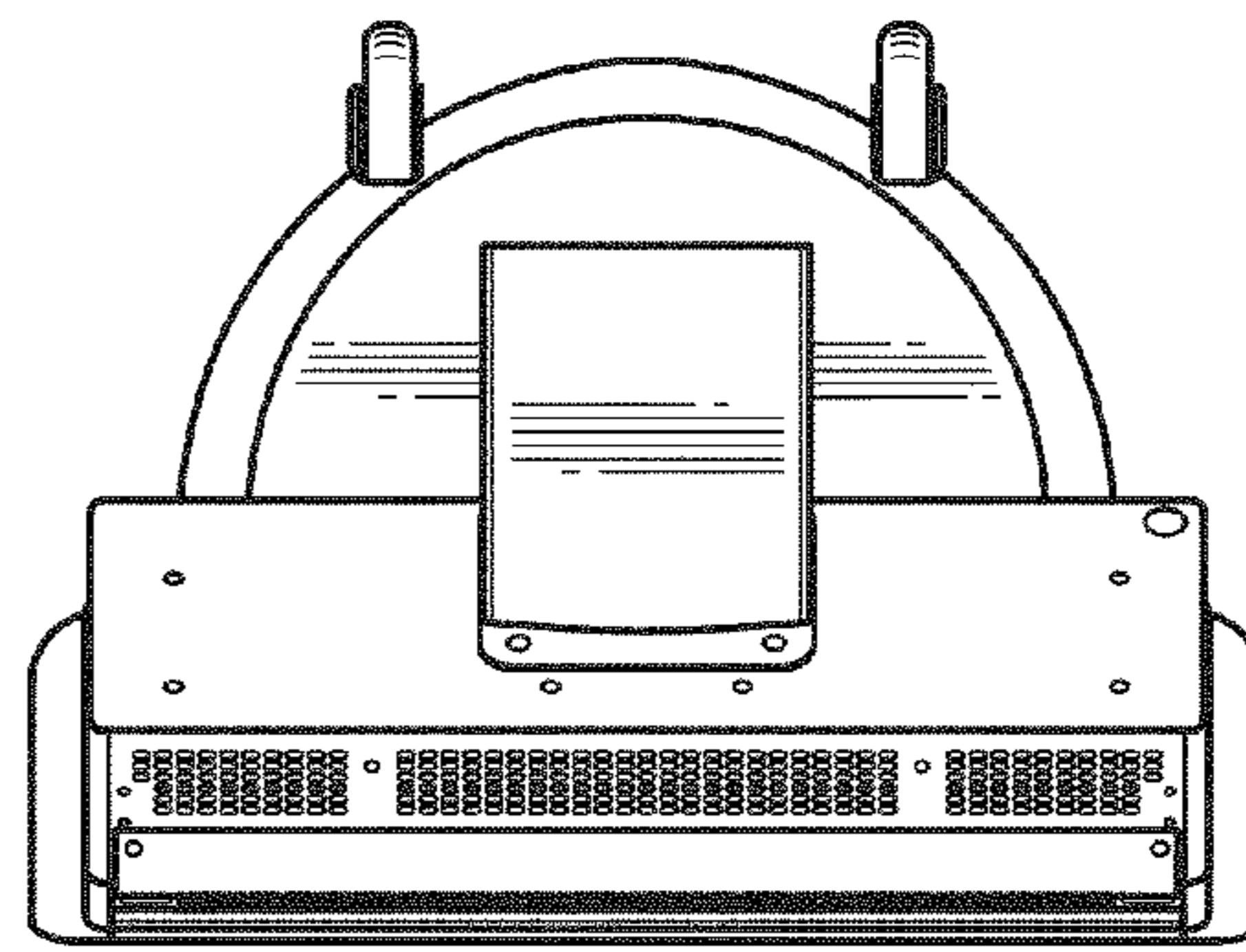


FIG. 5

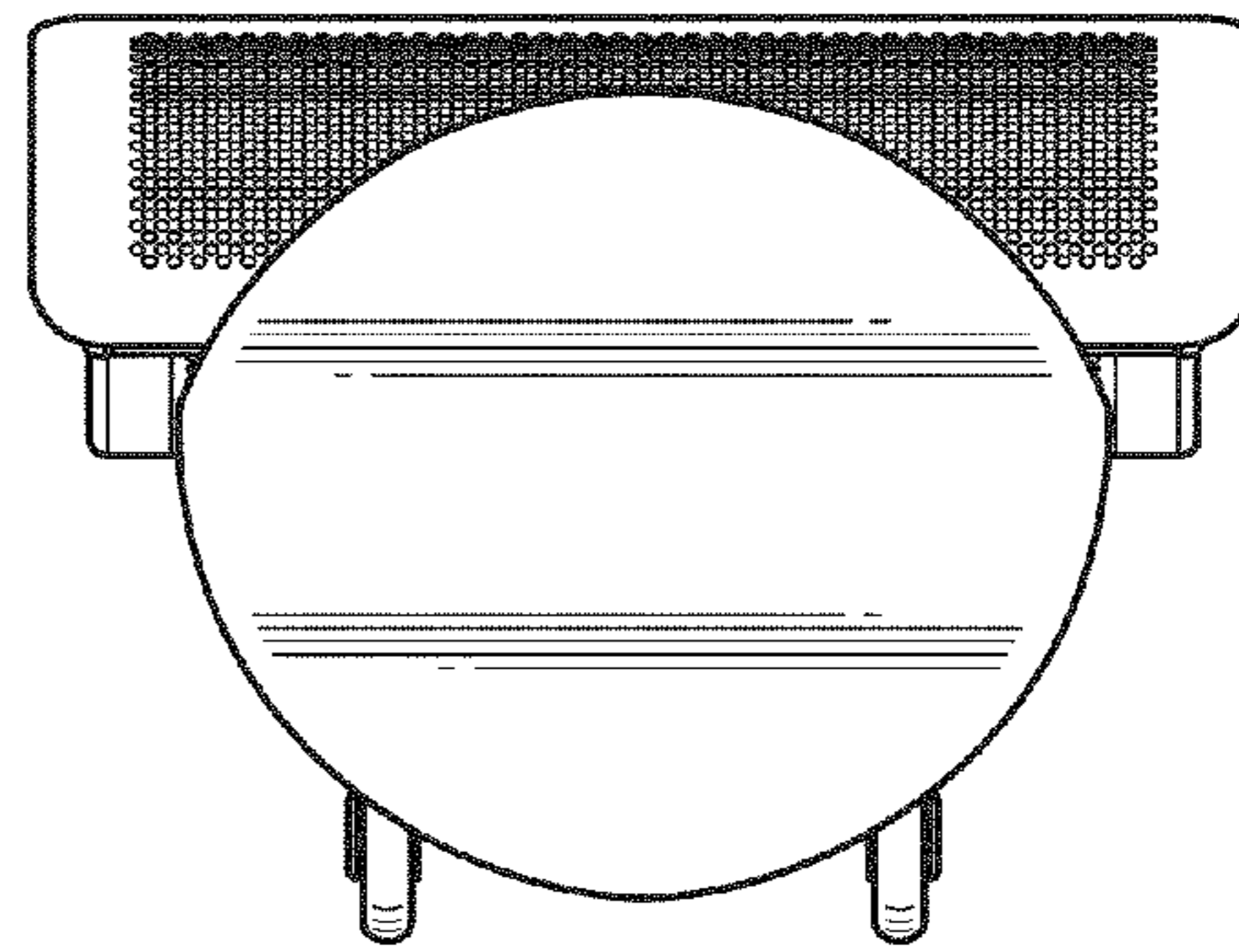


FIG. 6

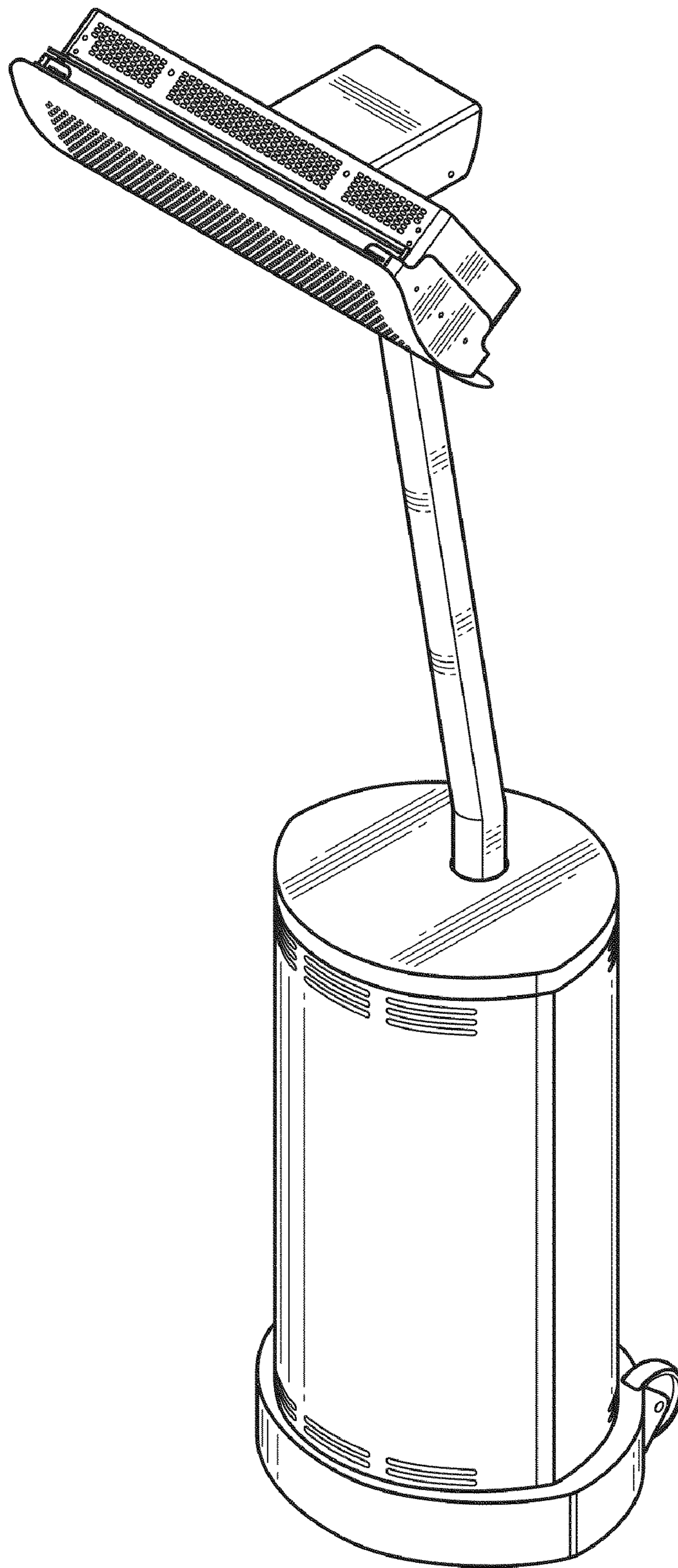


FIG. 7

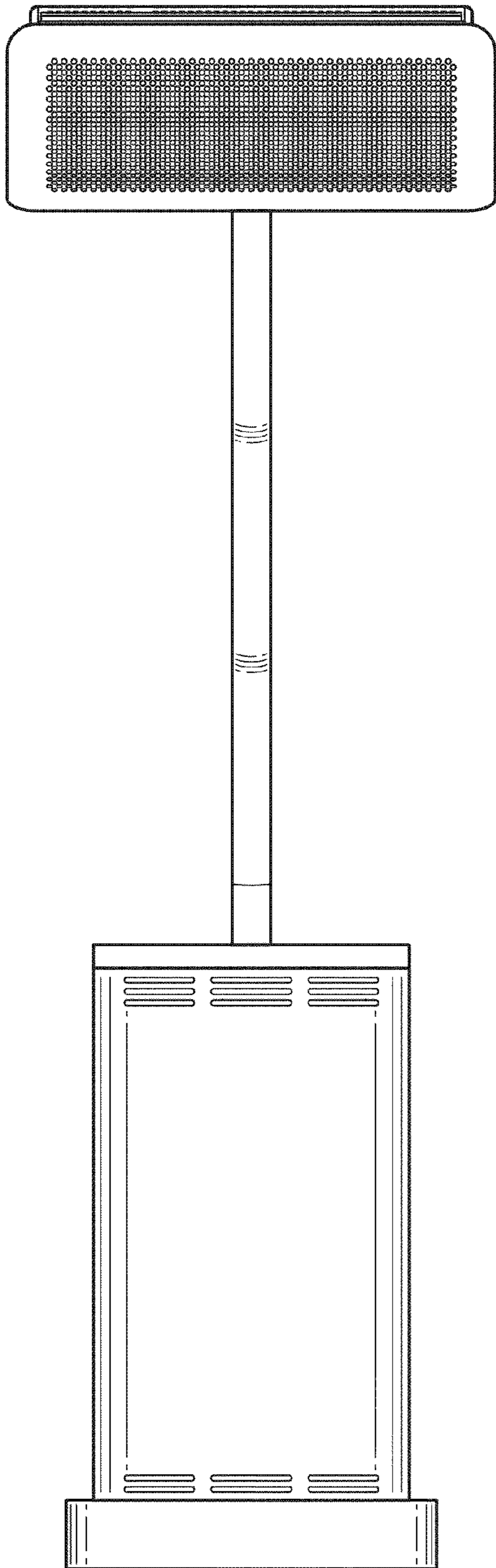


FIG. 8

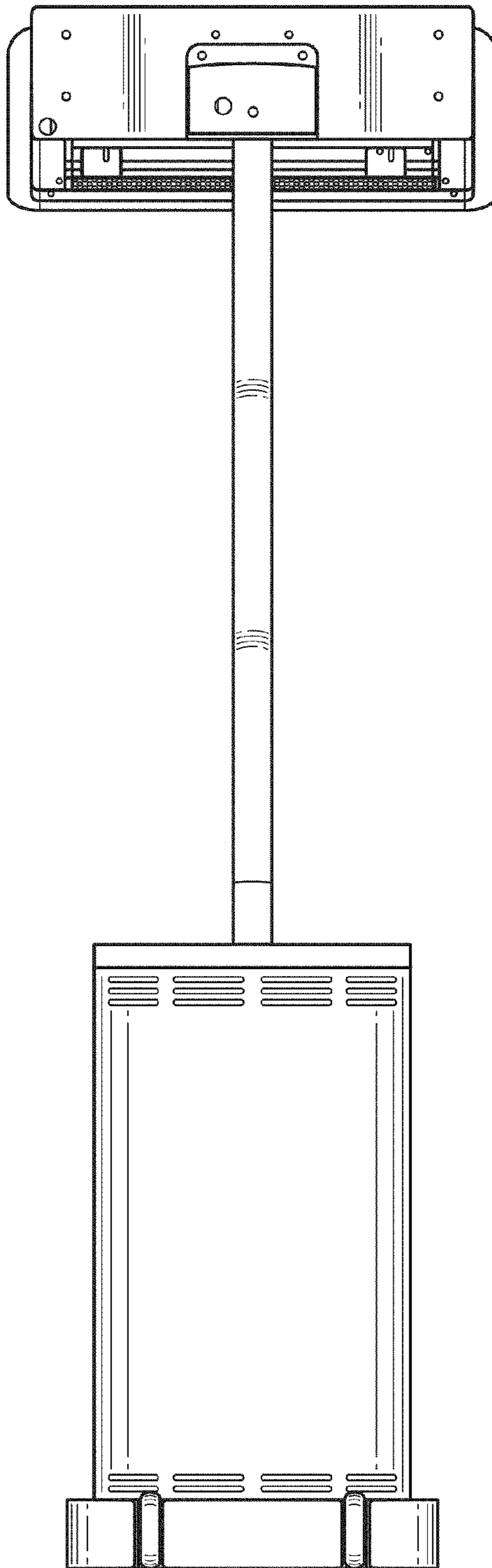


FIG. 9

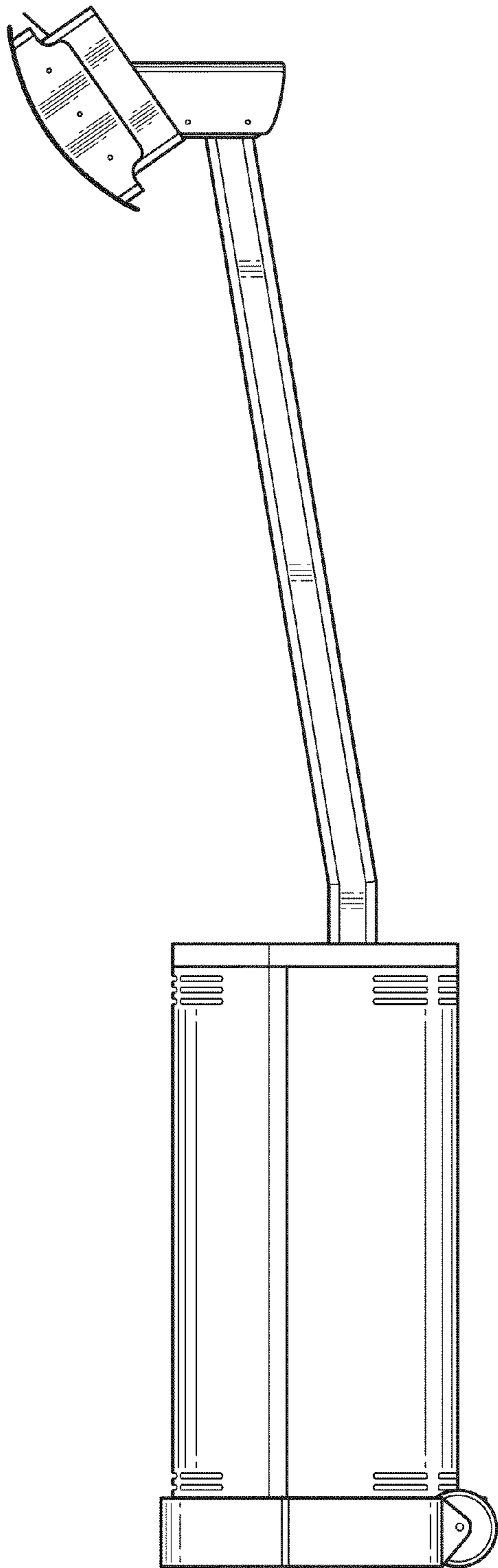


FIG. 10

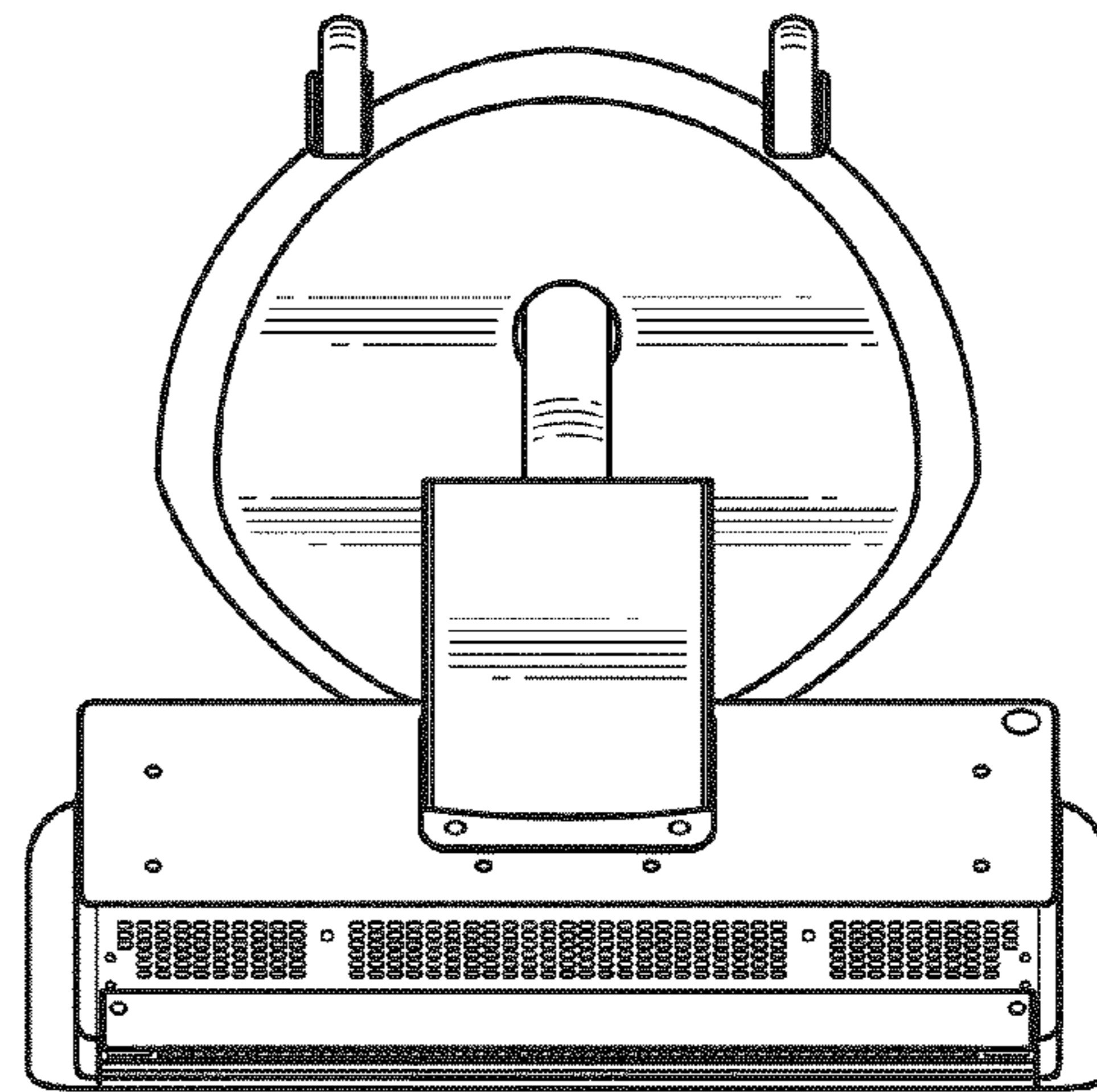


FIG. 11

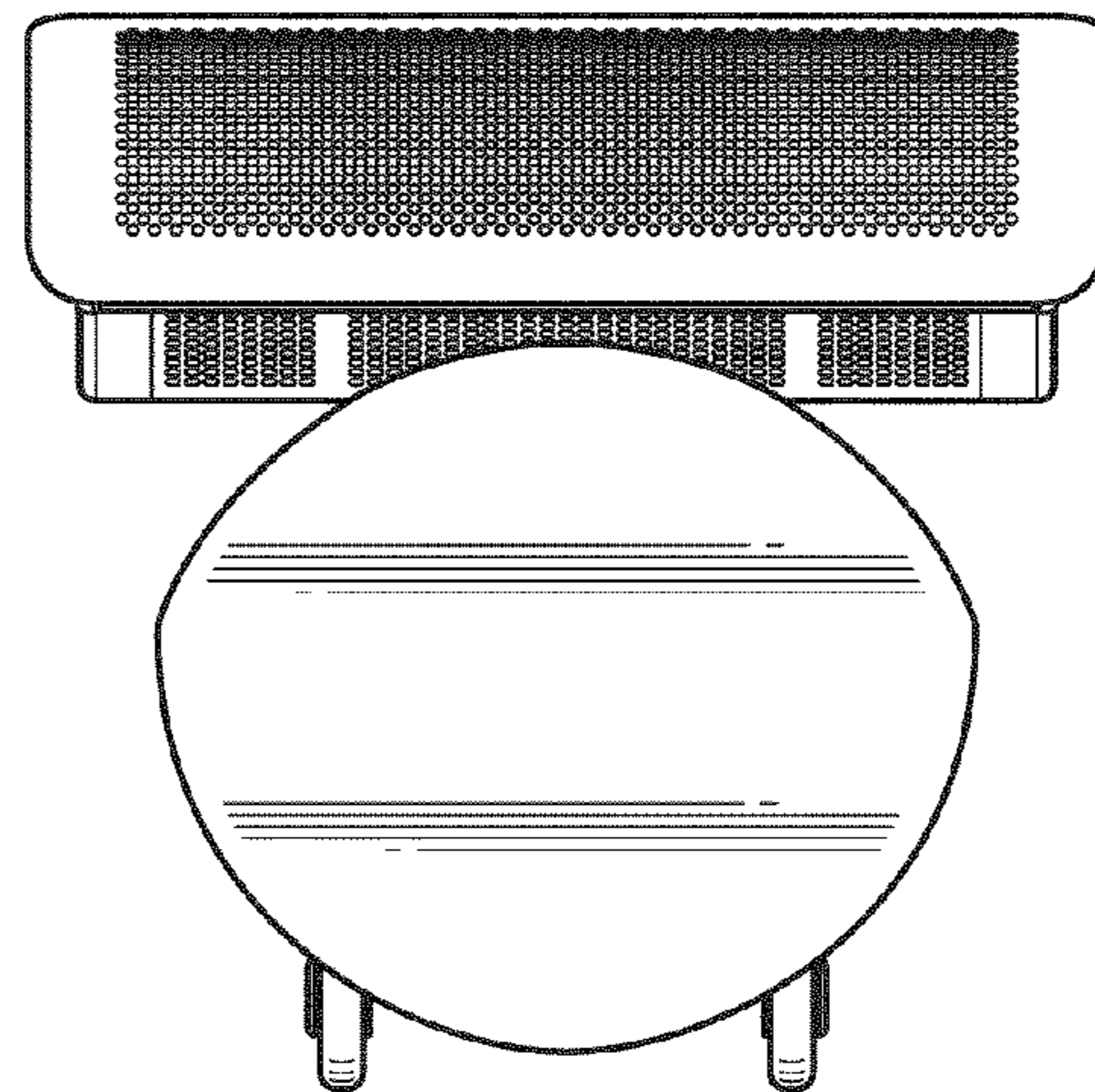


FIG. 12

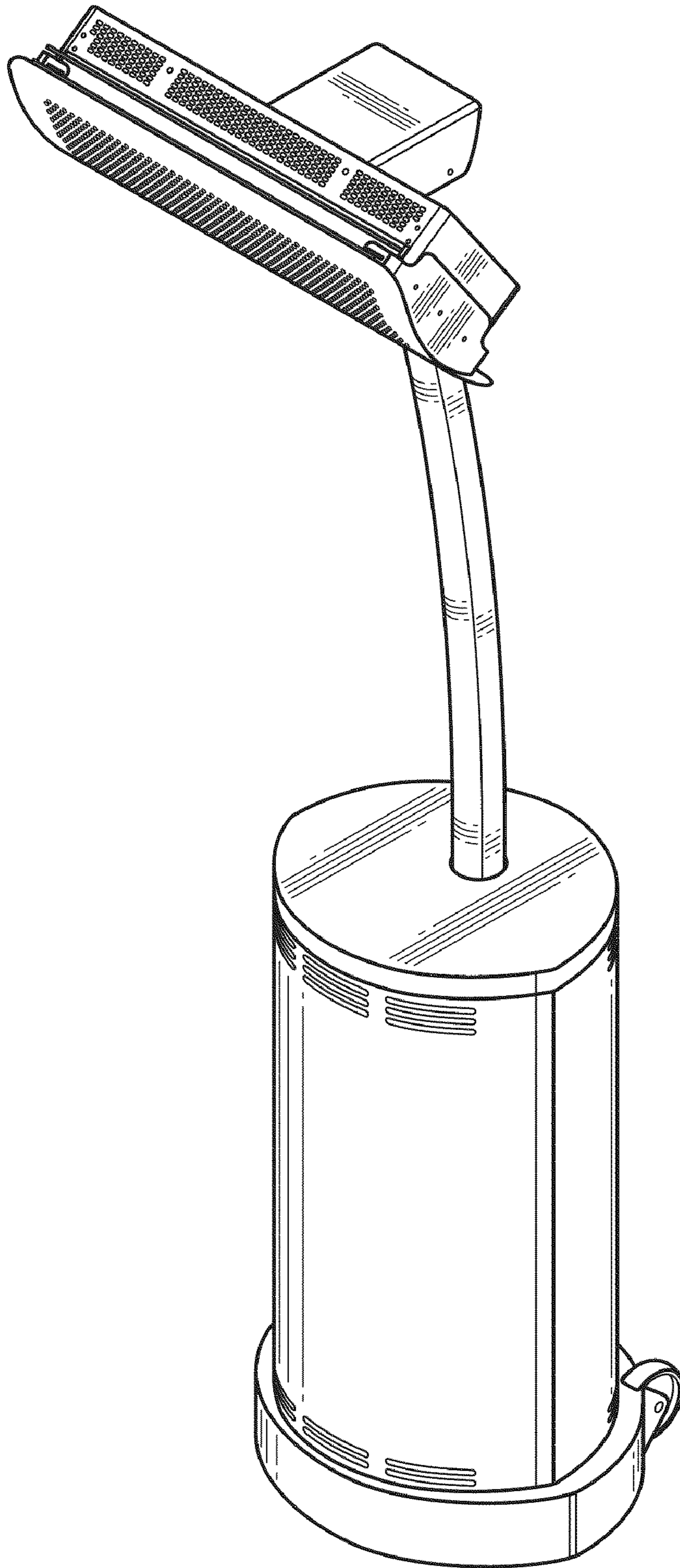


FIG. 13

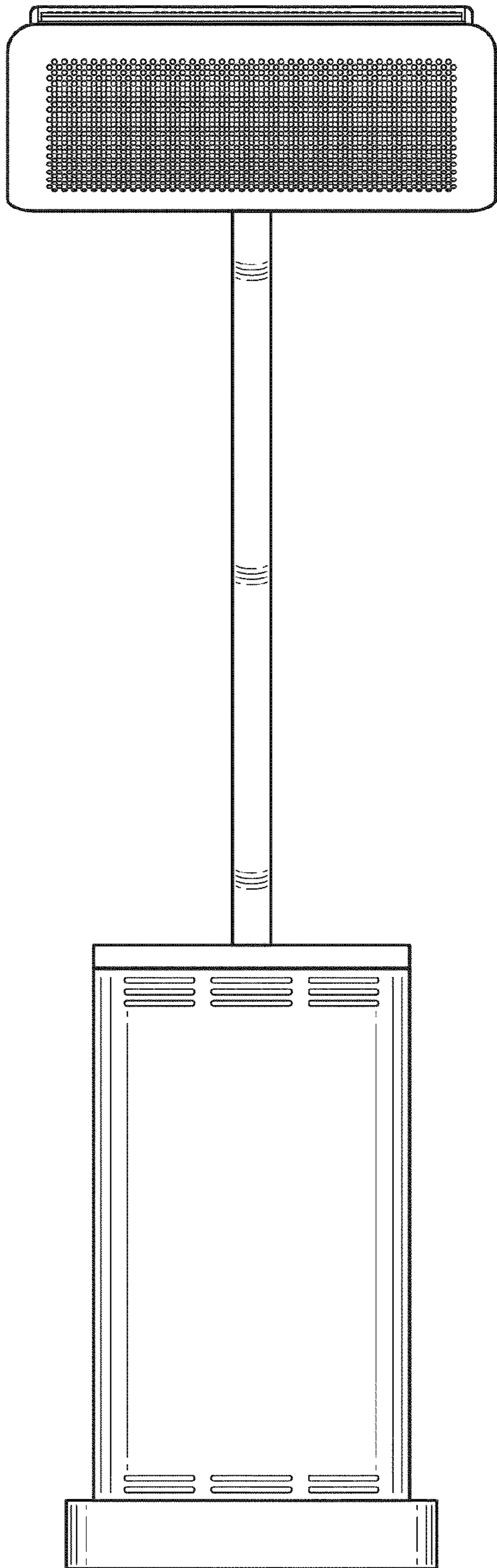


FIG. 14

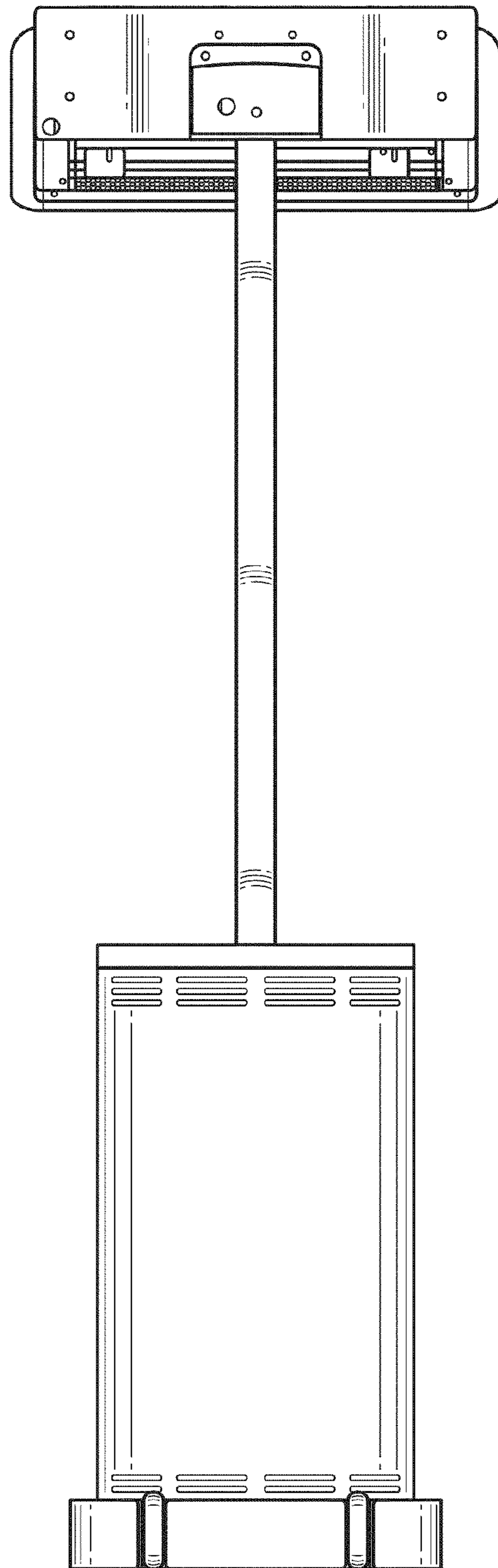


FIG. 15

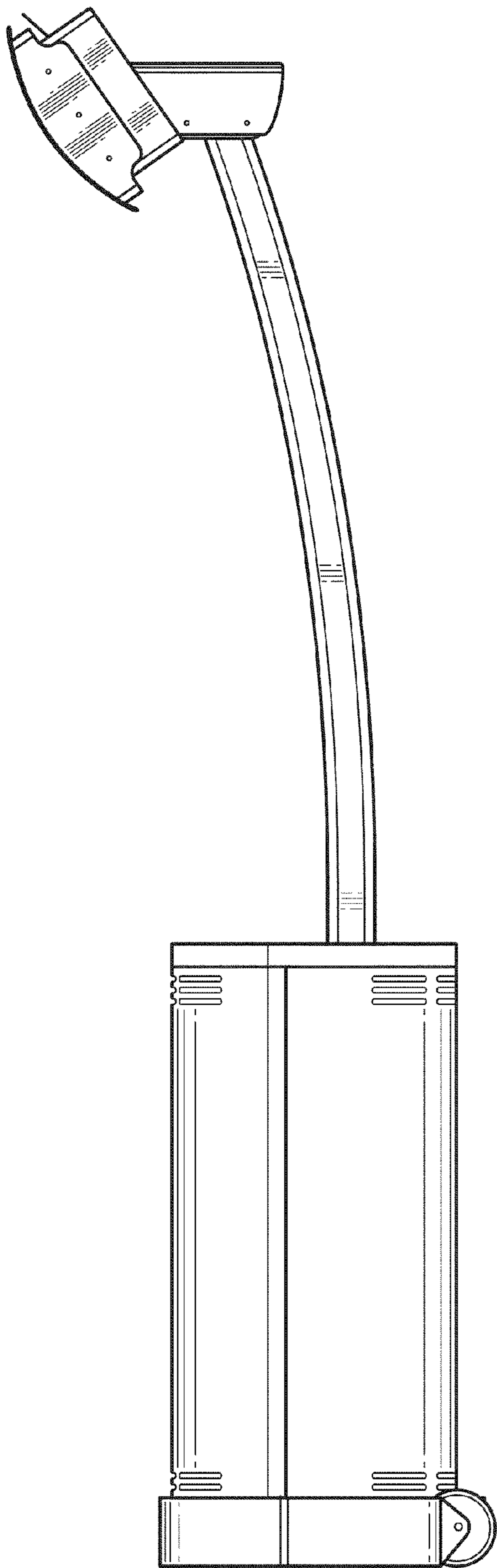


FIG. 16

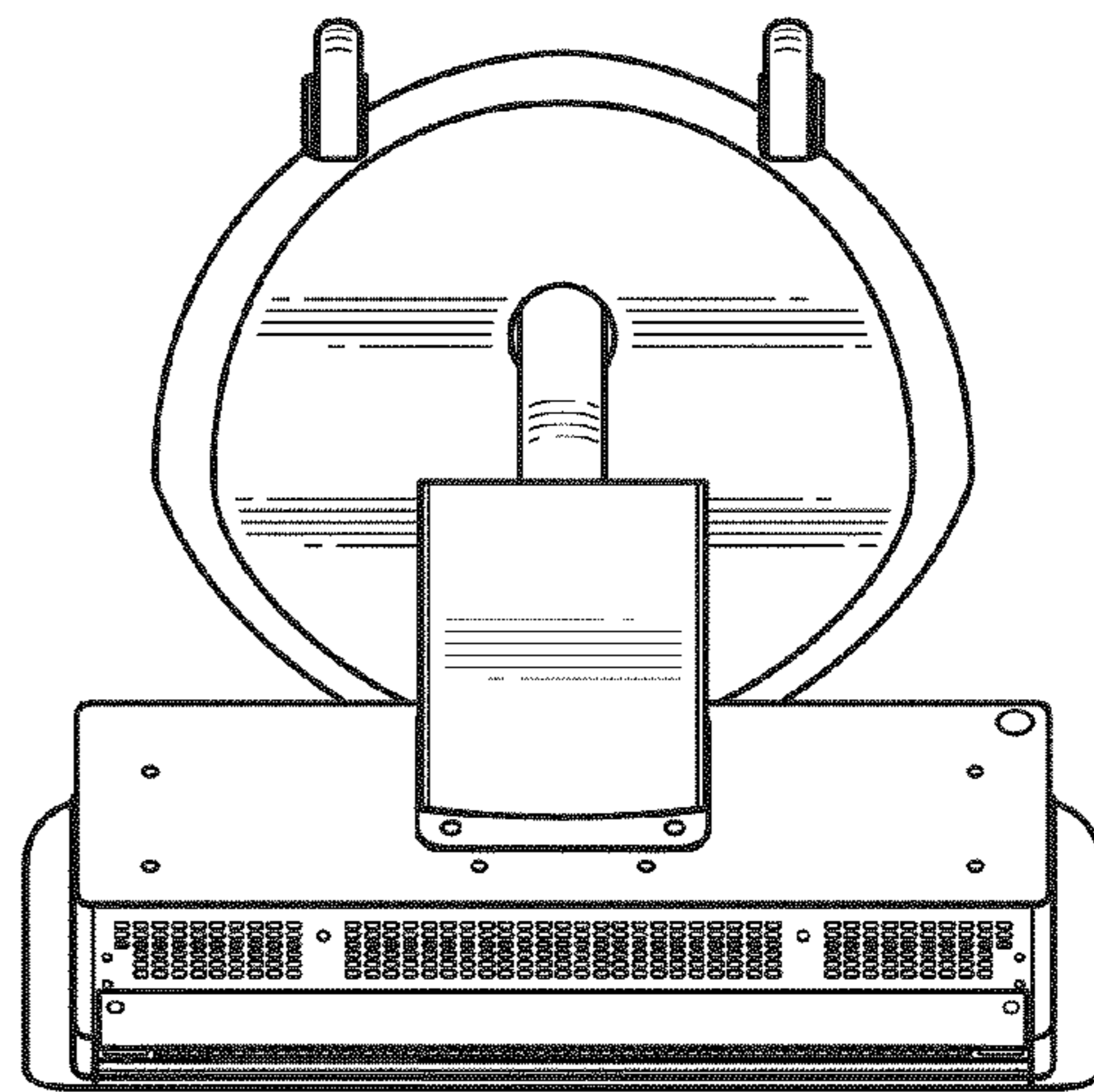


FIG. 17

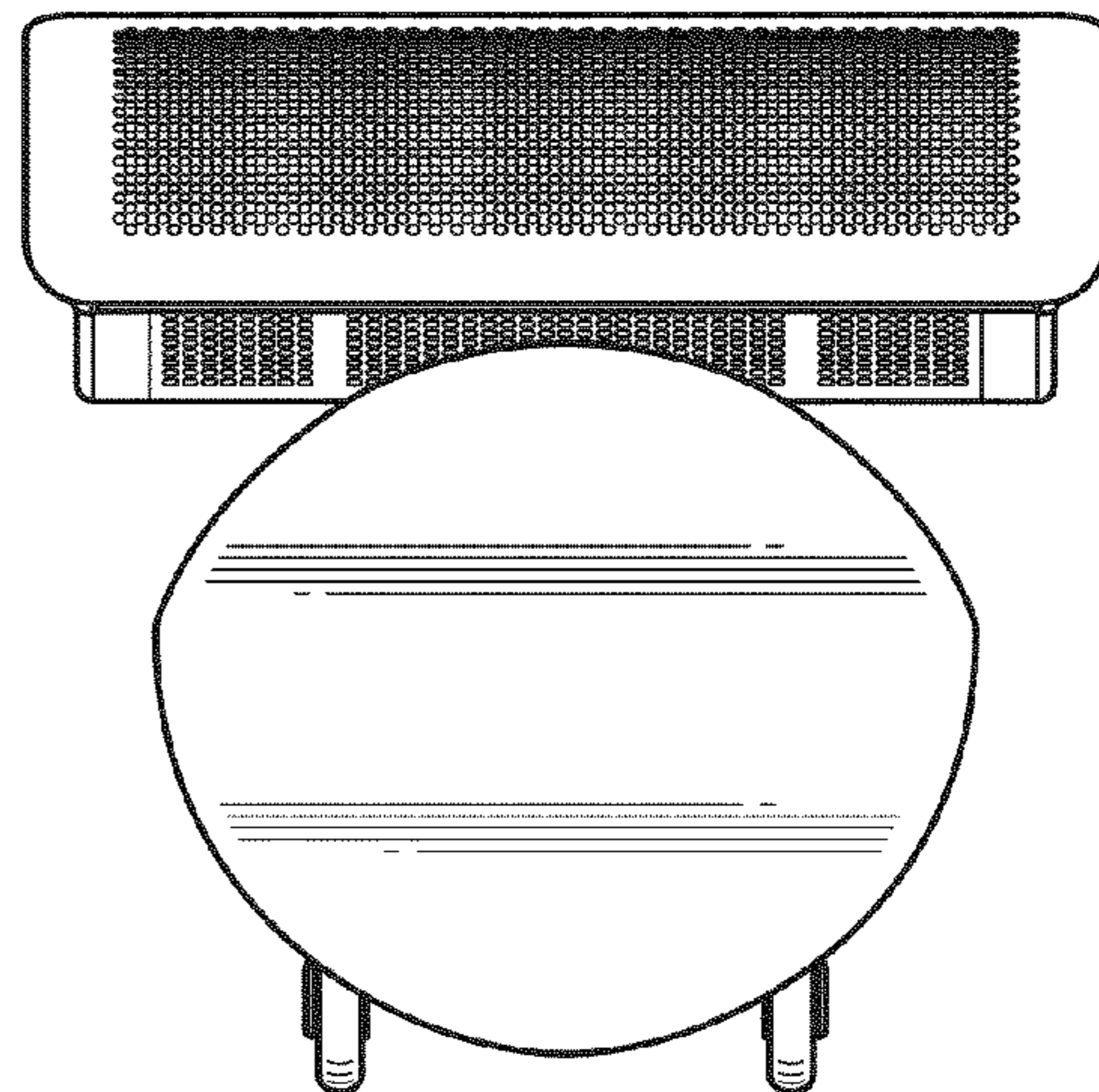


FIG. 18