



US00D654575S

(12) **United States Design Patent**
Cornille

(10) **Patent No.:** **US D654,575 S**

(45) **Date of Patent:** **** Feb. 21, 2012**

(54) **WALL MOUNTED TOILET**

(75) Inventor: **Thomas Cornille**, Farmington, MI (US)

(73) Assignee: **Thetford Corporation**, Ann Arbor, MI (US)

(**) Term: **14 Years**

(21) Appl. No.: **29/387,946**

(22) Filed: **Mar. 22, 2011**

(30) **Foreign Application Priority Data**

Sep. 22, 2010 (EP) 001238190-0001

(51) **LOC (9) Cl.** **D23-02**

(52) **U.S. Cl.** **D23/300**

(58) **Field of Classification Search** D23/295,
D23/300, 303, 309; 4/300, 353, 420, DIG. 15
See application file for complete search history.

(56) **References Cited**

U.S. PATENT DOCUMENTS

D116,810 S *	9/1939	Uphues	D23/301
D187,854 S *	5/1960	Dreyfuss	D23/300
3,949,430 A	4/1976	Miller et al.		
D255,597 S	6/1980	Sargent et al.		
D256,722 S	9/1980	Sargent et al.		
D262,050 S	11/1981	Antos et al.		
D313,649 S *	1/1991	Kimes	D23/300

5,073,994 A	12/1991	Sargent et al.
D438,941 S	3/2001	Selina et al.
6,584,623 B2	7/2003	Grech et al.
D484,580 S	12/2003	Fritz
D484,957 S	1/2004	Grech et al.
D485,604 S	1/2004	Good et al.
D537,151 S	2/2007	Good et al.
D579,533 S	10/2008	Cornille et al.
D595,393 S	6/2009	Good et al.
7,765,625 B2	8/2010	Durrani et al.
7,861,331 B2	1/2011	Grech et al.
2007/0240255 A1	10/2007	Grech
2011/0094023 A1	4/2011	Grech et al.

* cited by examiner

Primary Examiner — Robert Delehanty

(74) *Attorney, Agent, or Firm* — Harness, Dickey & Pierce, P.L.C.

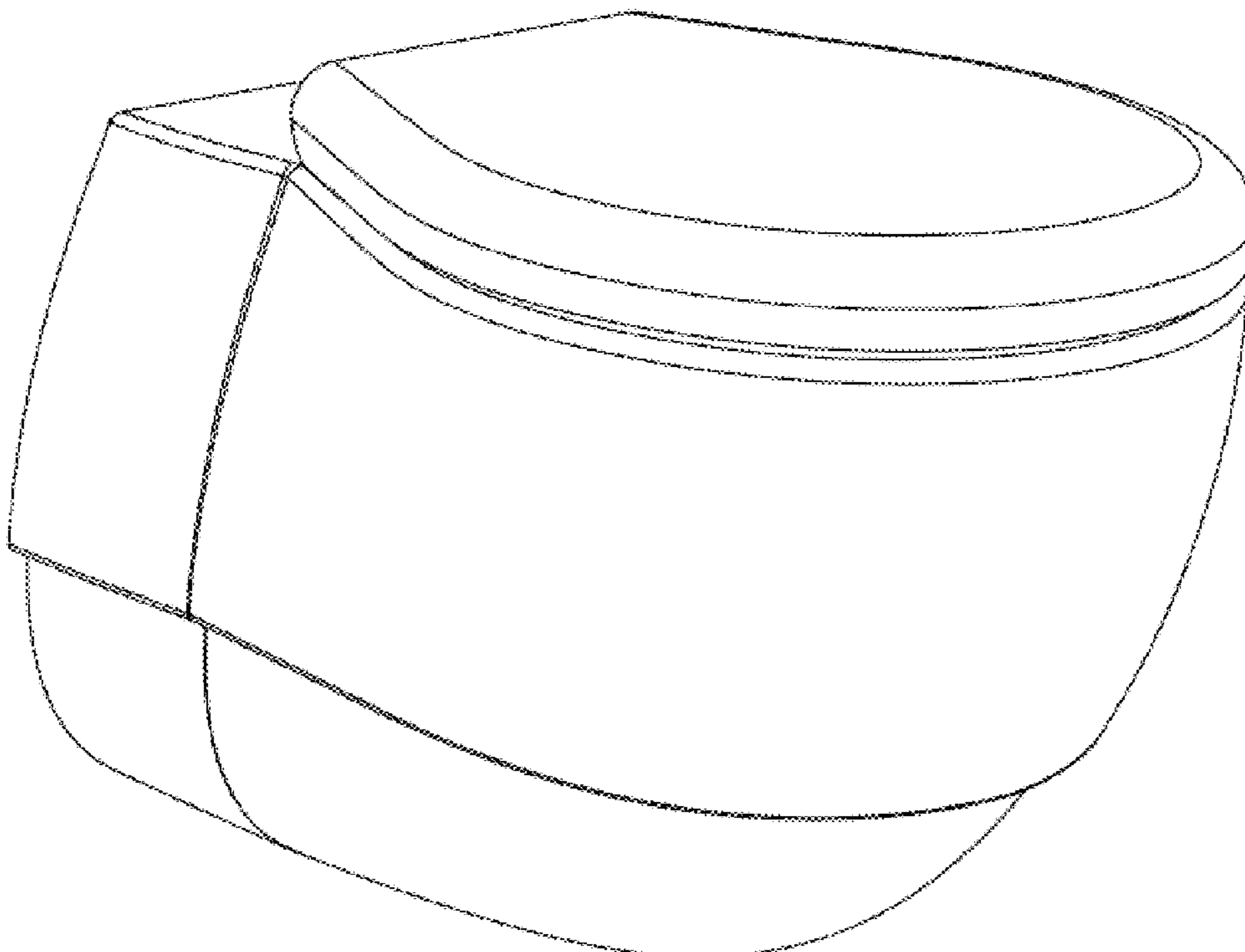
(57) **CLAIM**

The ornamental design for a wall mounted toilet, as shown and described.

DESCRIPTION

FIG. 1 is a perspective view of a wall mounted toilet in accordance with my design;
FIG. 2 is a front view thereof;
FIG. 3 is a left side view thereof, it being understood that the right side is a substantial mirror image; and,
FIG. 4 is a top view thereof.

1 Claim, 4 Drawing Sheets



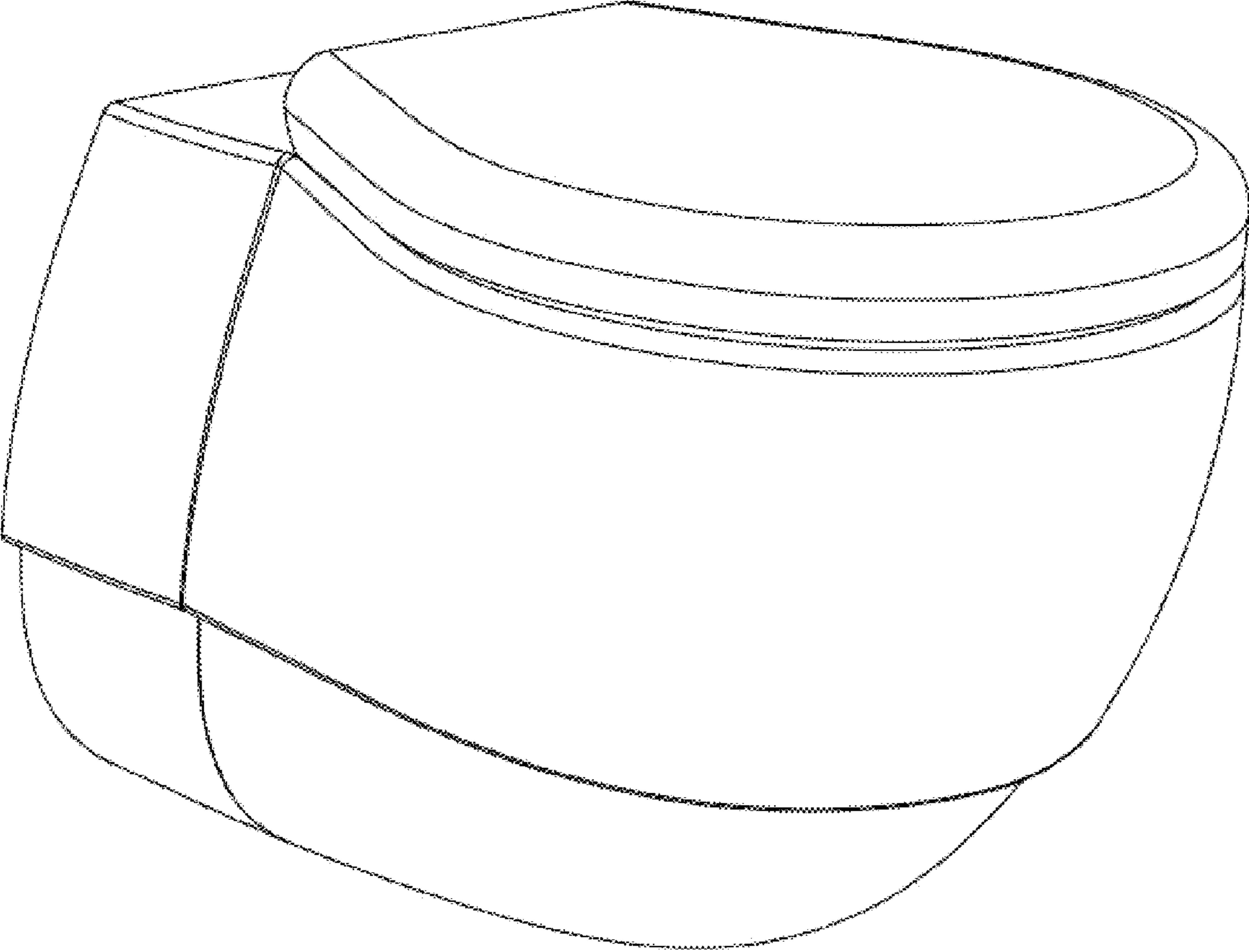


FIG. 1

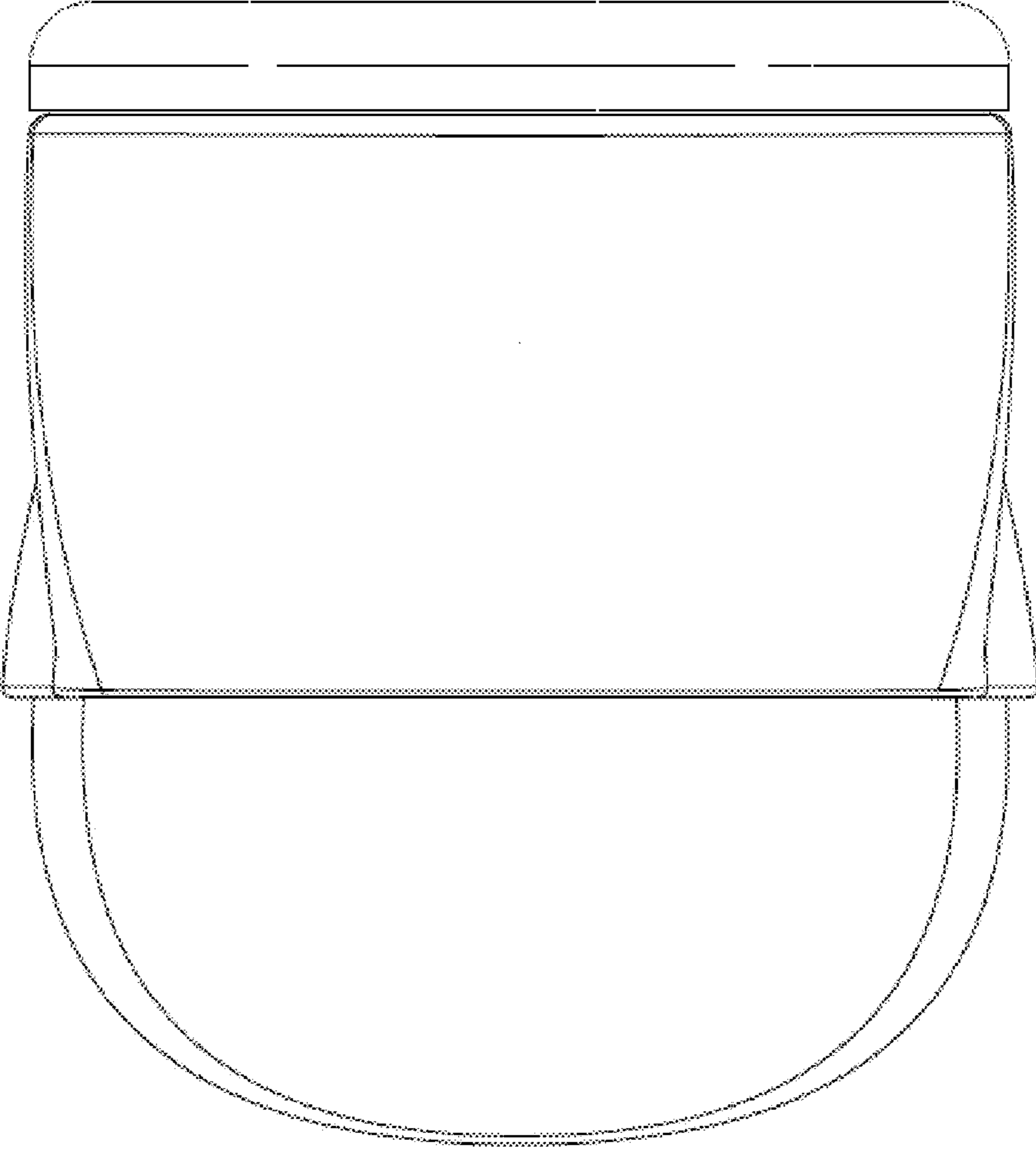


FIG. 2

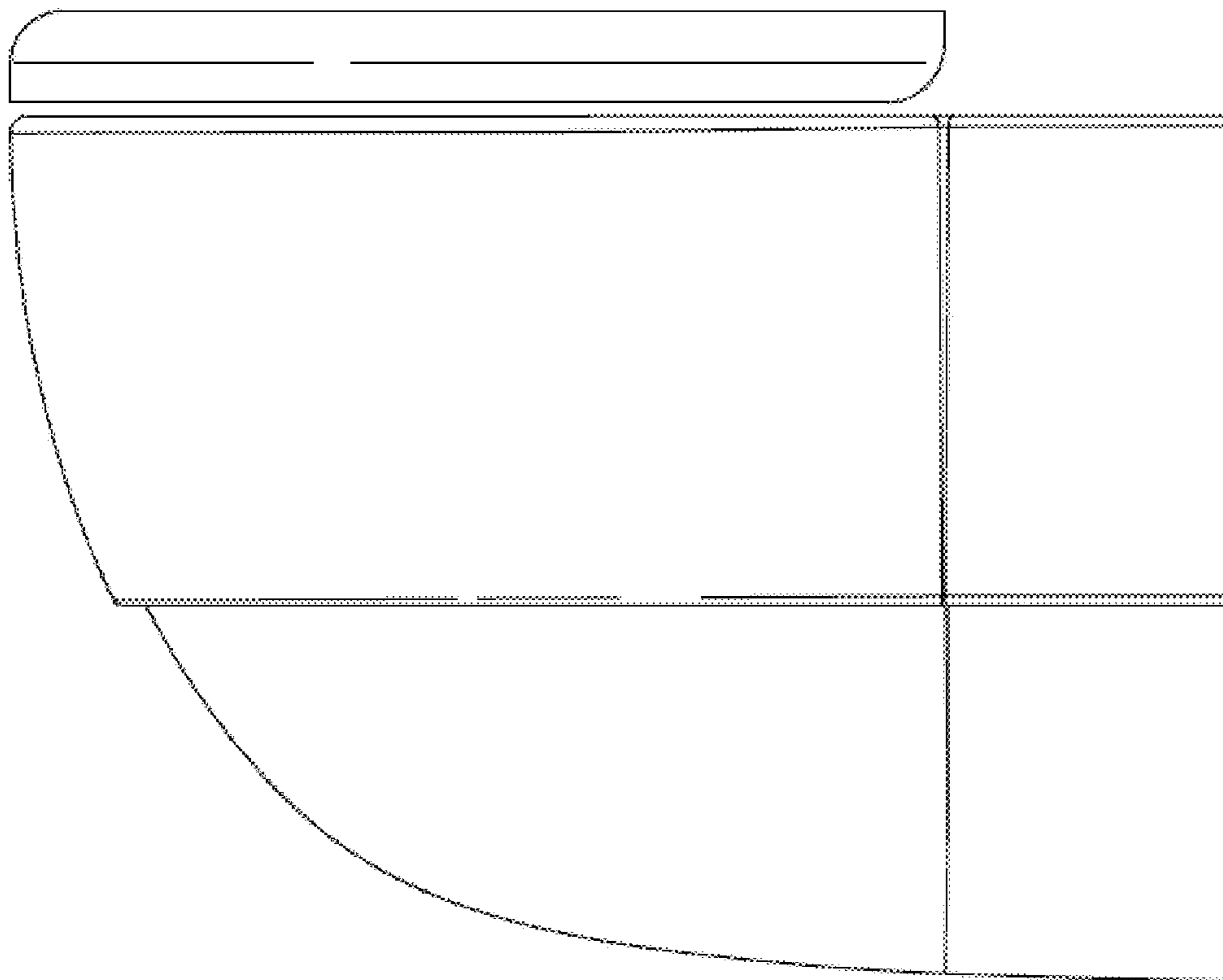


FIG. 3

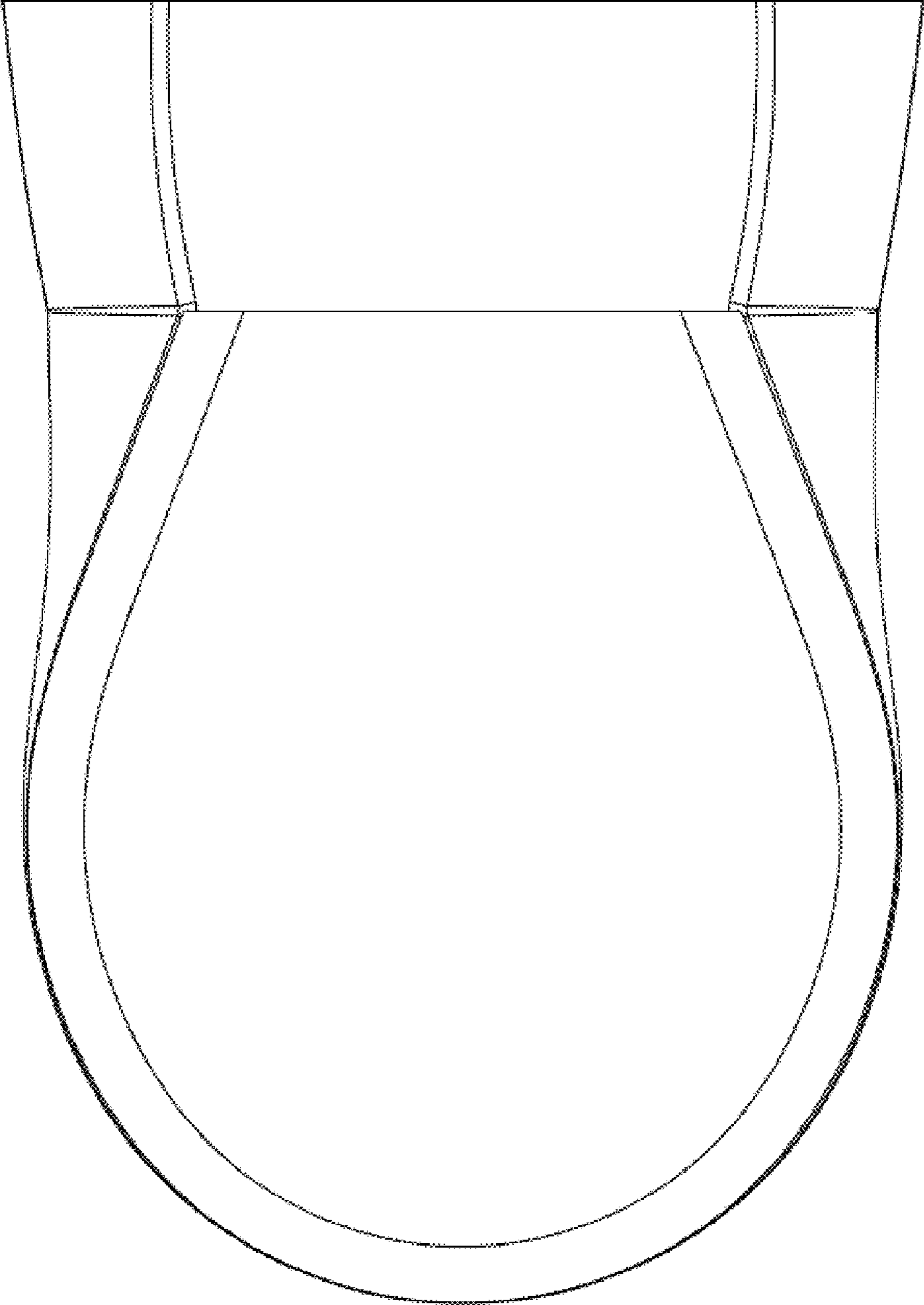


FIG. 4