



US00D654574S

(12) **United States Design Patent**
Davis

(10) **Patent No.:** **US D654,574 S**

(45) **Date of Patent:** **** Feb. 21, 2012**

(54) **ALUMINUM SEAMLESS BOX MITER**

(76) **Inventor:** **Mark A. Davis**, Mansfield, OH (US)

(**) **Term:** **14 Years**

(21) **Appl. No.:** **29/360,223**

(22) **Filed:** **Apr. 22, 2010**

(51) **LOC (9) Cl.** **23-01**

(52) **U.S. Cl.** **D23/267**

(58) **Field of Classification Search** D23/259-269;
52/11-13, 16; 248/48.1; 404/4-5, 2; 405/118;
D25/119, 102

See application file for complete search history.

(56) **References Cited**

U.S. PATENT DOCUMENTS

D217,247	S *	4/1970	Brown	D23/267
3,913,284	A *	10/1975	Hall	52/11
D241,104	S *	8/1976	Copeland	D25/119
4,313,693	A	2/1982	Follows et al.	405/121
5,406,756	A *	4/1995	Bemis et al.	52/16
5,740,633	A *	4/1998	Champagne	52/11
6,085,466	A	7/2000	Martin et al.	52/13
D454,180	S *	3/2002	Wessels	D23/267
6,560,933	B2	5/2003	Richardson	52/11
D479,751	S *	9/2003	Schofield	D25/119
D492,394	S *	6/2004	Bullinger	D23/267

6,751,910	B2	6/2004	Richardson	52/11
7,076,921	B2 *	7/2006	Spradlin	52/11
D586,437	S *	2/2009	Cangialosi	D23/267
D586,439	S *	2/2009	Porter	D23/267

* cited by examiner

Primary Examiner — T. Chase Nelson

Assistant Examiner — Michelle E Wilson

(74) *Attorney, Agent, or Firm* — L.C. Begin & Associates, PLLC.

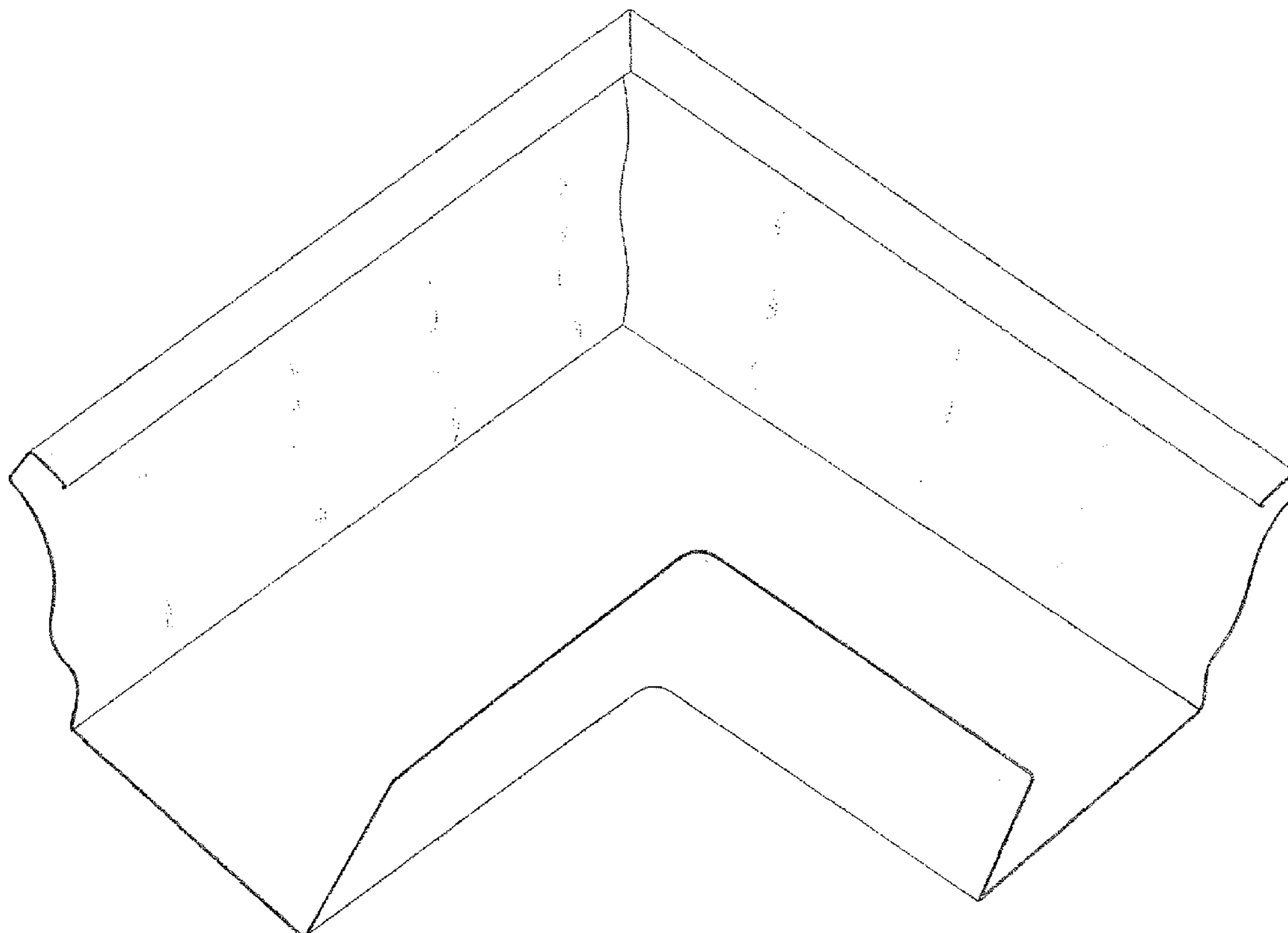
(57) **CLAIM**

The ornamental design for an aluminum seamless box miter, as shown and described.

DESCRIPTION

FIG. 1 is a top perspective view of an aluminum seamless box miter in accordance with my design;
FIG. 2 is a bottom perspective view of the aluminum seamless box miter of FIG. 1;
FIG. 3 is a top plan view of the aluminum seamless box miter of FIG. 1;
FIG. 4 is a end view of the aluminum seamless box miter of FIG. 1; and,
FIG. 5 is another end view of the aluminum seamless box miter of FIG. 1.

1 Claim, 5 Drawing Sheets



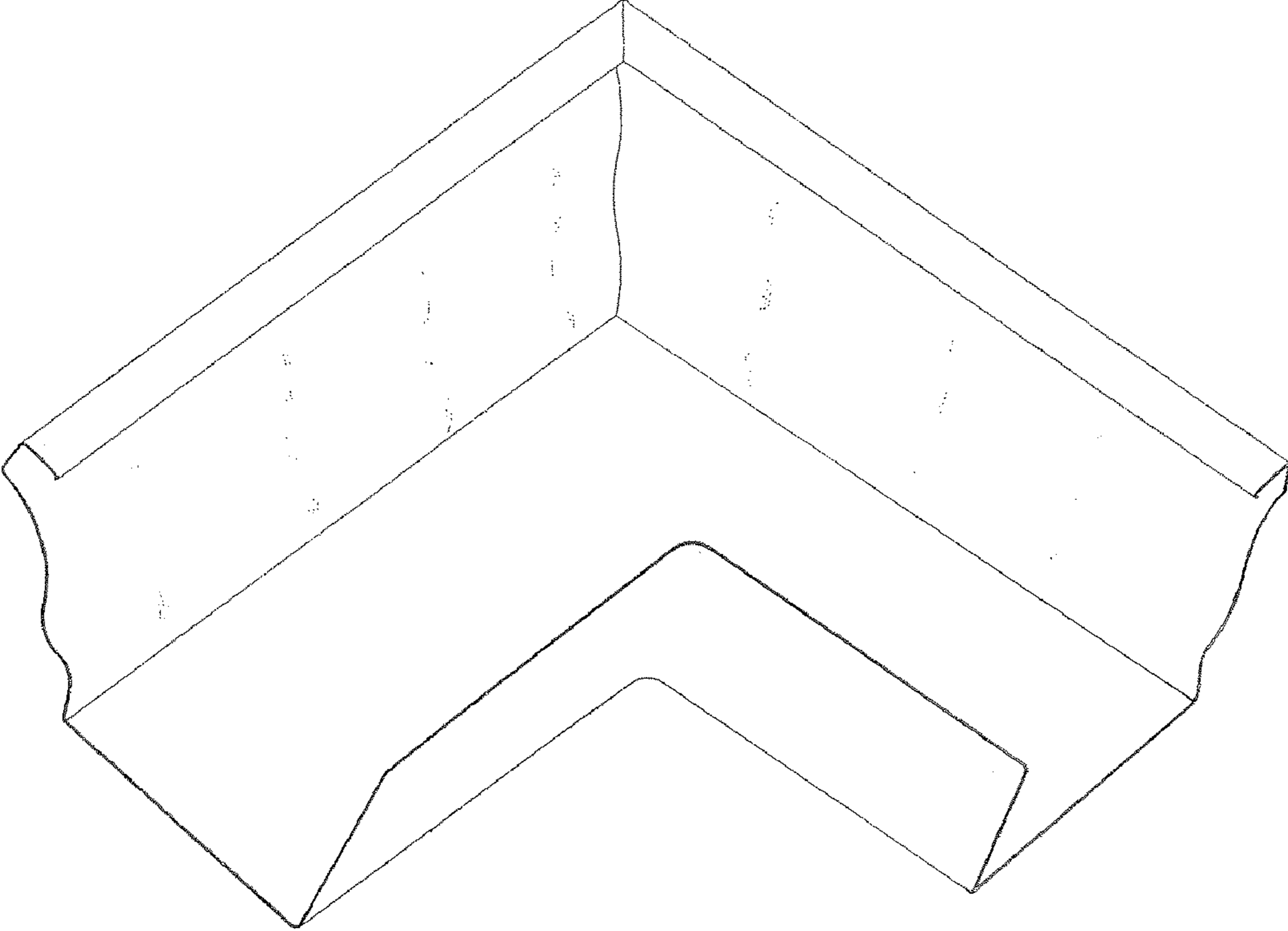


FIG. 1

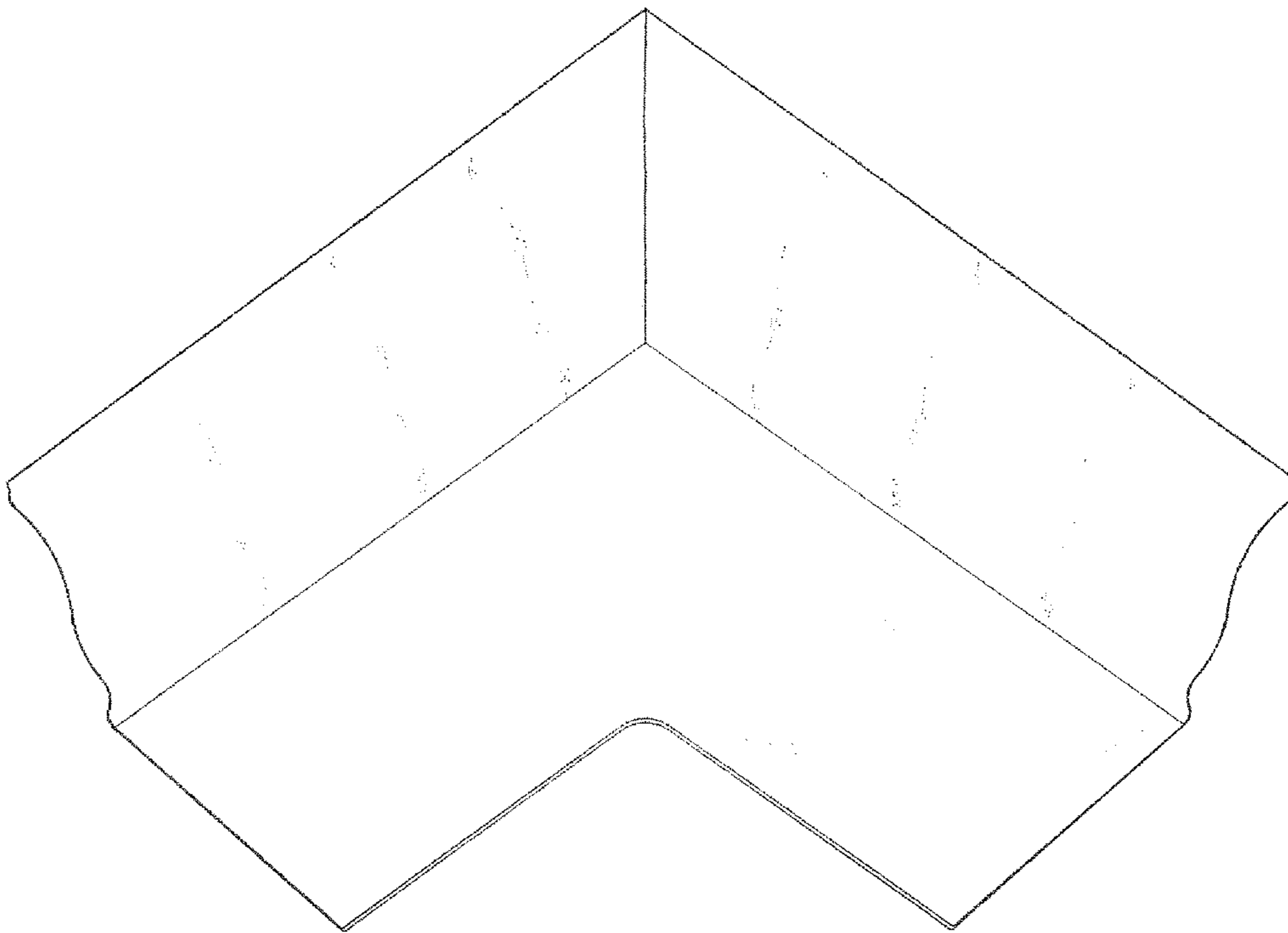


FIG. 2

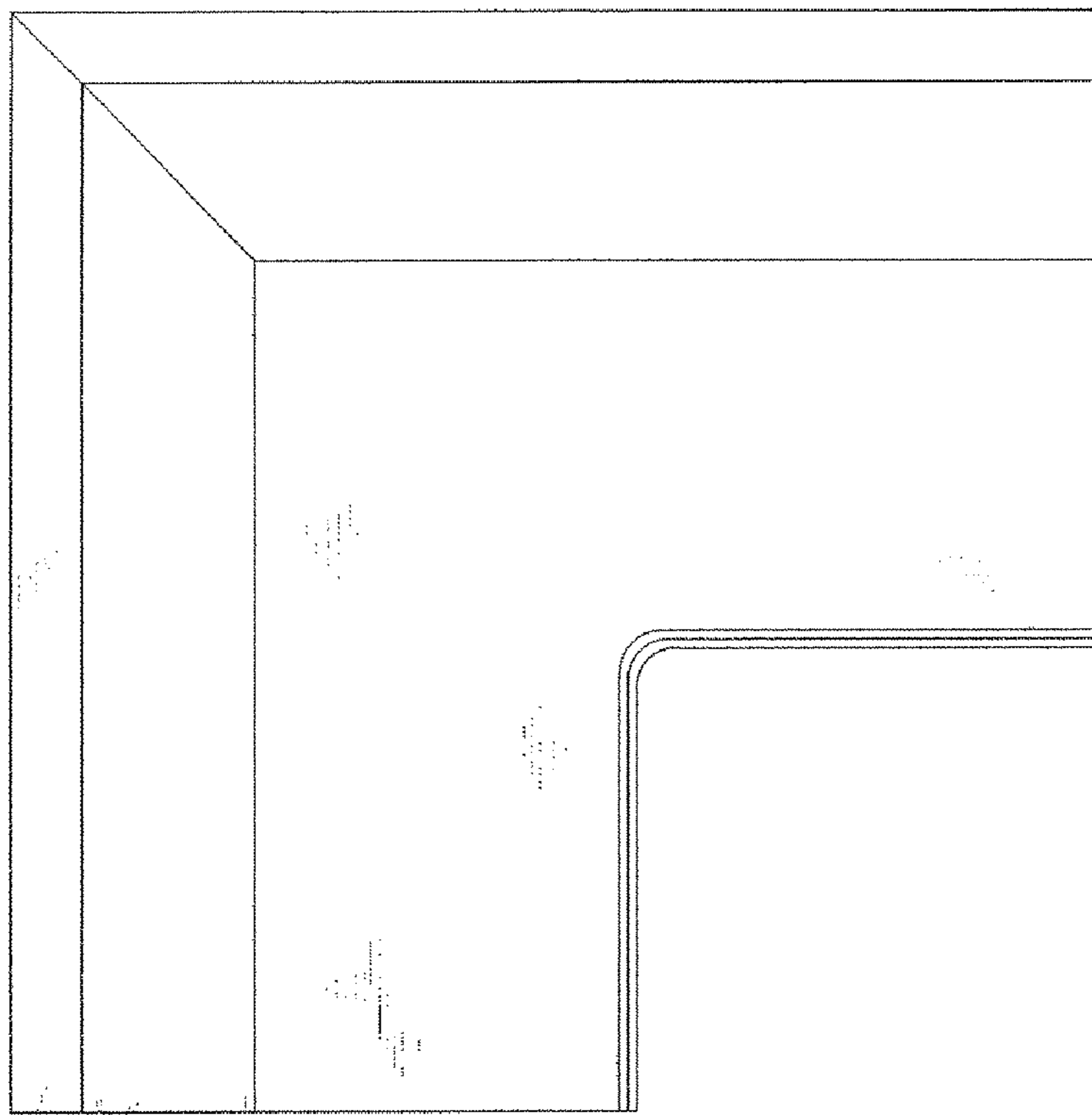


FIG. 3

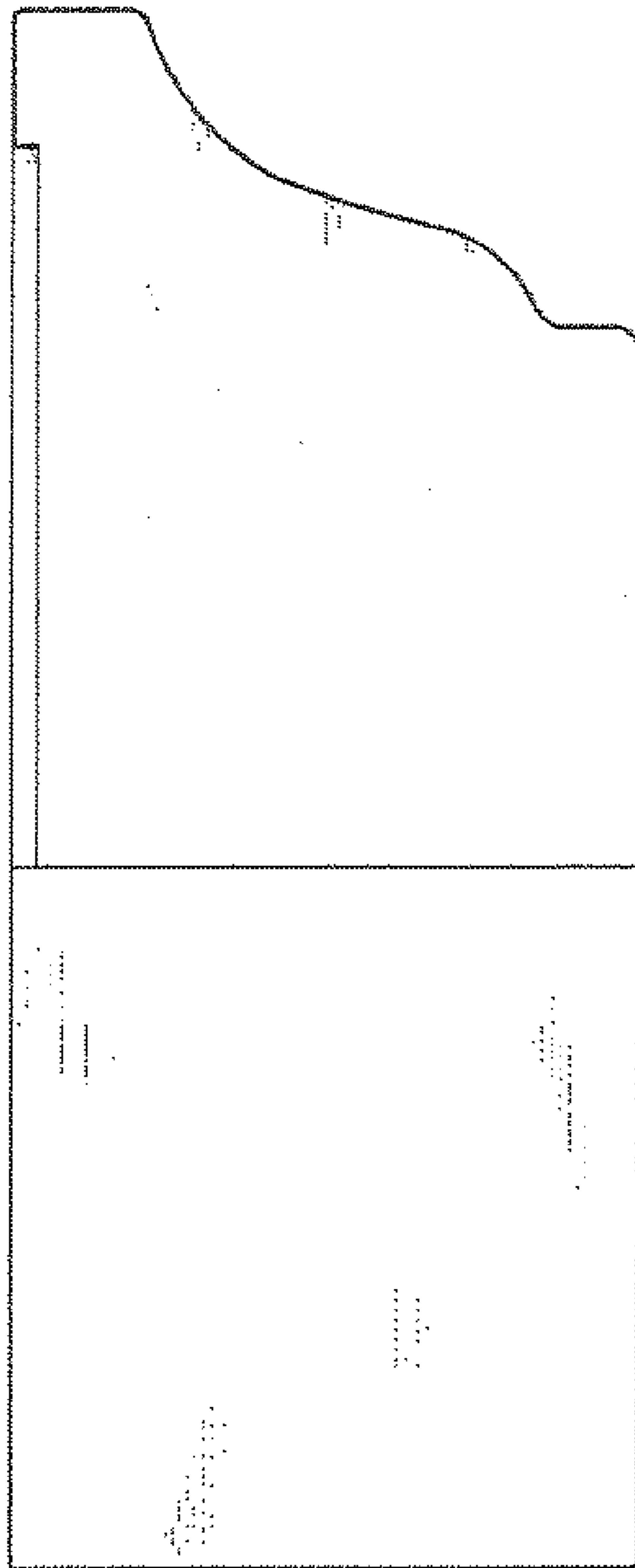


FIG. 4

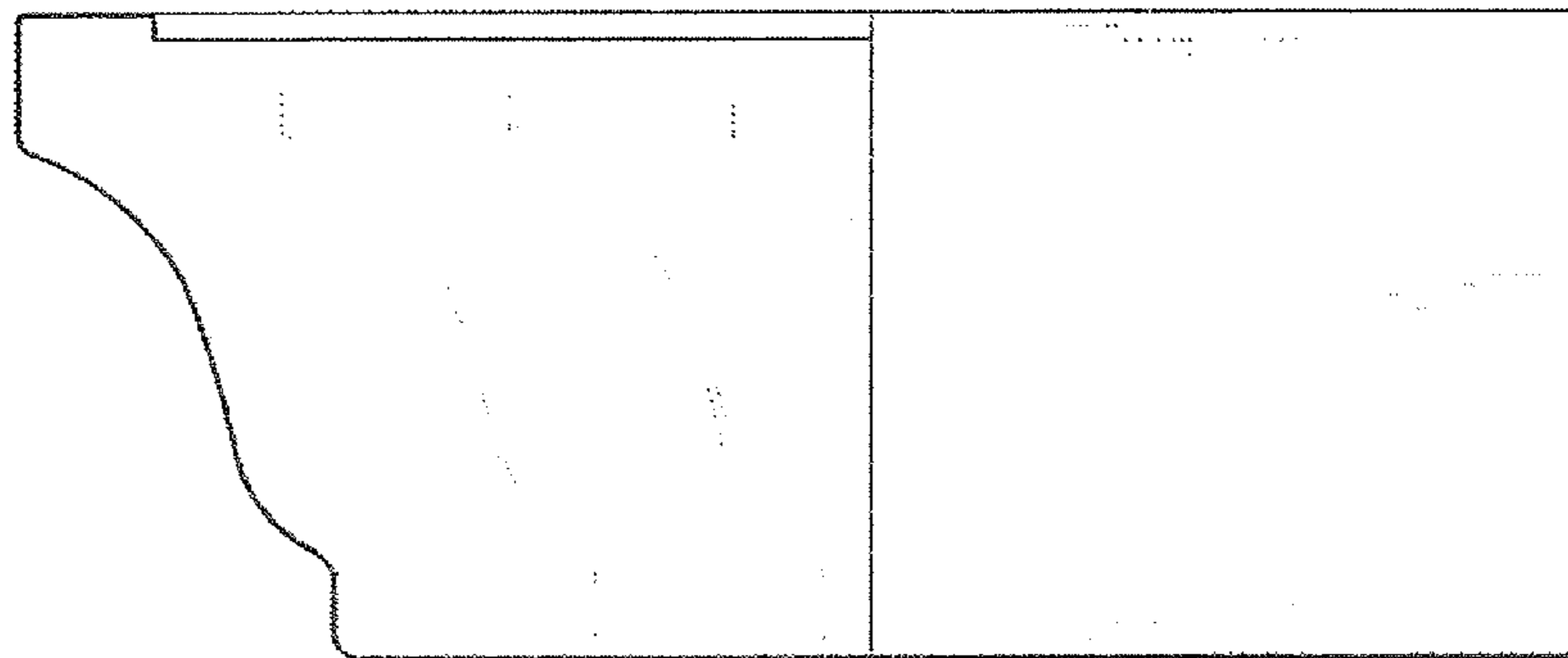


FIG. 5