



US00D654572S

(12) **United States Design Patent**
Chiles

(10) **Patent No.:** **US D654,572 S**

(45) **Date of Patent:** **** Feb. 21, 2012**

(54) **CLOSURE**

(75) Inventor: **Michael Chiles**, The Woodlands, TX
(US)

(73) Assignee: **Robbins & Myers Energy Systems**
L.P., Willis, TX (US)

(**) Term: **14 Years**

(21) Appl. No.: **29/346,352**

(22) Filed: **Oct. 30, 2009**

(51) **LOC (9) Cl.** **23-01**

(52) **U.S. Cl.** **D23/260**

(58) **Field of Classification Search** D23/259-260;
D8/387, 397; 222/552, 554, 563; 4/286,
4/287, 295; 114/197; 217/110; 220/288;
138/89-91

See application file for complete search history.

(56) **References Cited**

U.S. PATENT DOCUMENTS

1,811,170 A * 6/1931 Brotz 4/689
2,282,212 A * 5/1942 Pope 4/692
D223,156 S * 3/1972 Campbell D23/260
D257,057 S * 9/1980 Logsdon D23/260

D311,056 S * 10/1990 Patterson D23/260
D367,702 S * 3/1996 Martin D23/260
D598,075 S * 8/2009 Uhl D23/261
D614,736 S * 4/2010 Freiler D23/260
2009/0249542 A1 * 10/2009 Uhl 4/694

* cited by examiner

Primary Examiner — T. Chase Nelson

Assistant Examiner — Eric Goodman

(74) *Attorney, Agent, or Firm* — Streets & Steele

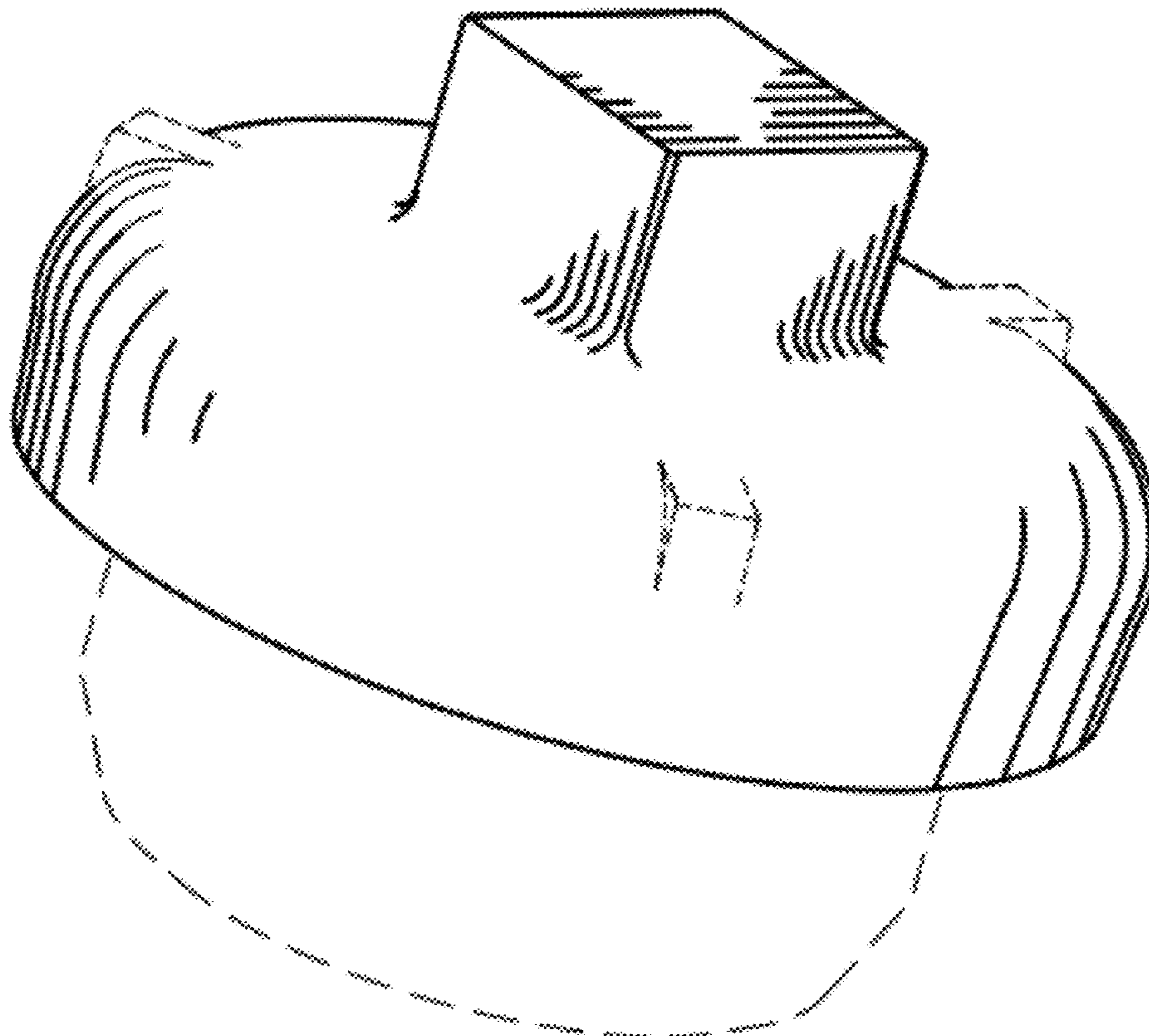
(57) **CLAIM**

The ornamental design for a closure, as shown and described.

DESCRIPTION

FIG. 1 is a pictorial view of the closure the present invention.
FIG. 2 is a left side view thereof.
FIG. 3 is a front view thereof.
FIG. 4 is a right side view thereof.
FIG. 5 is a back view thereof.
FIG. 6 is a top view thereof.
FIG. 7 is a bottom view thereof.
FIG. 8 is a side view of another embodiment of the closure;
and,
FIG. 9 is a top view of the closure shown in FIG. 8.

1 Claim, 4 Drawing Sheets



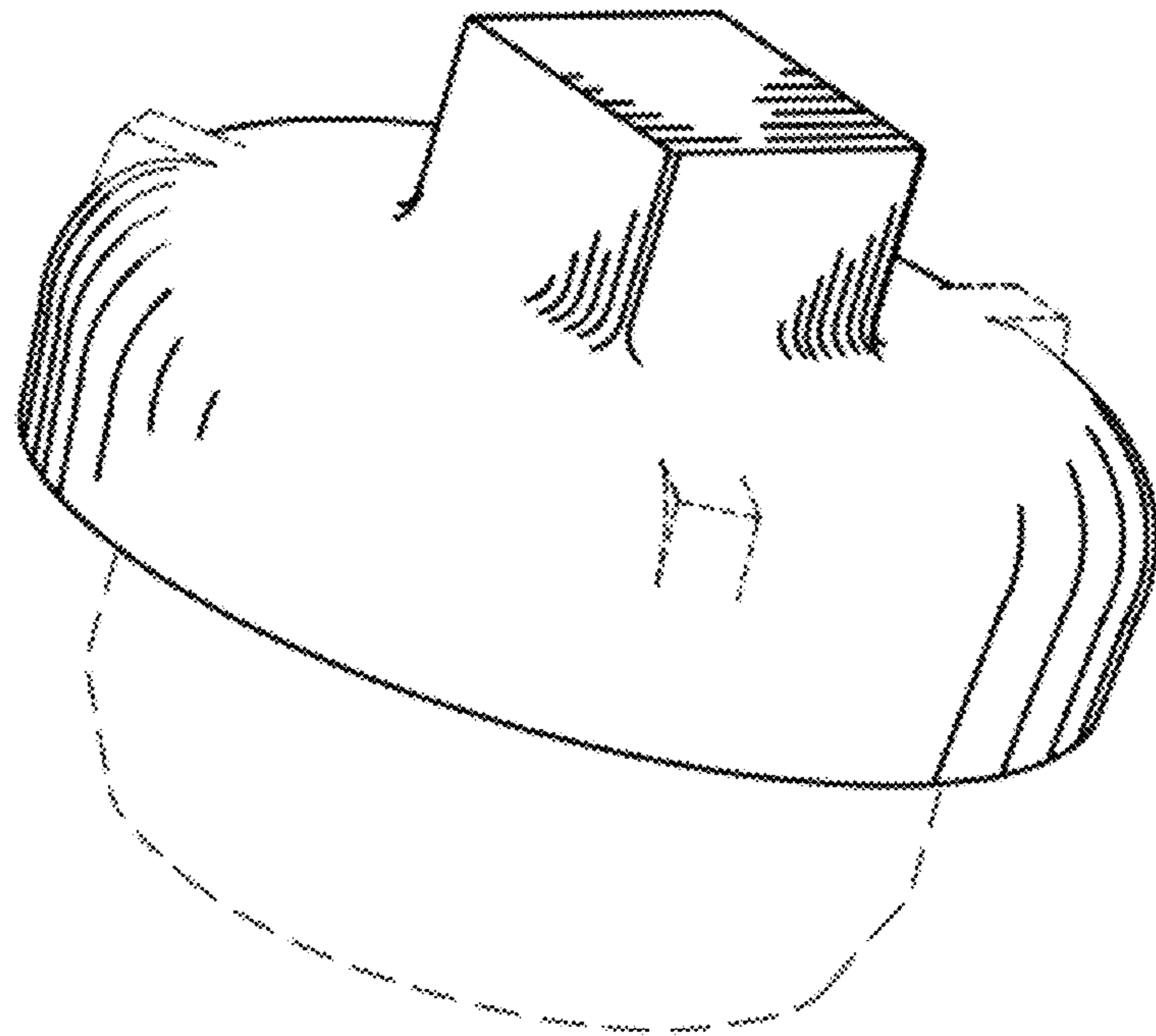


FIG. 1

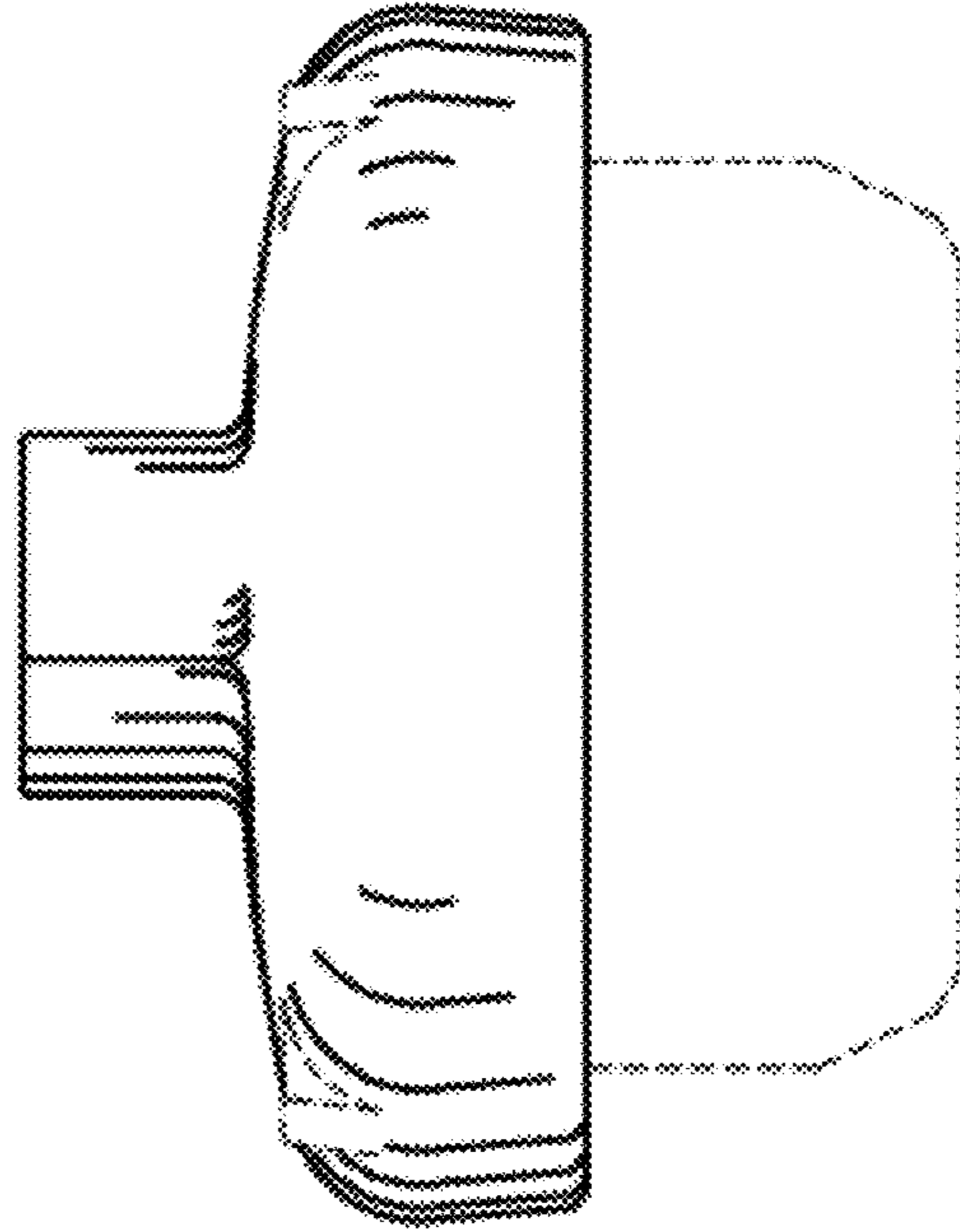


FIG. 2

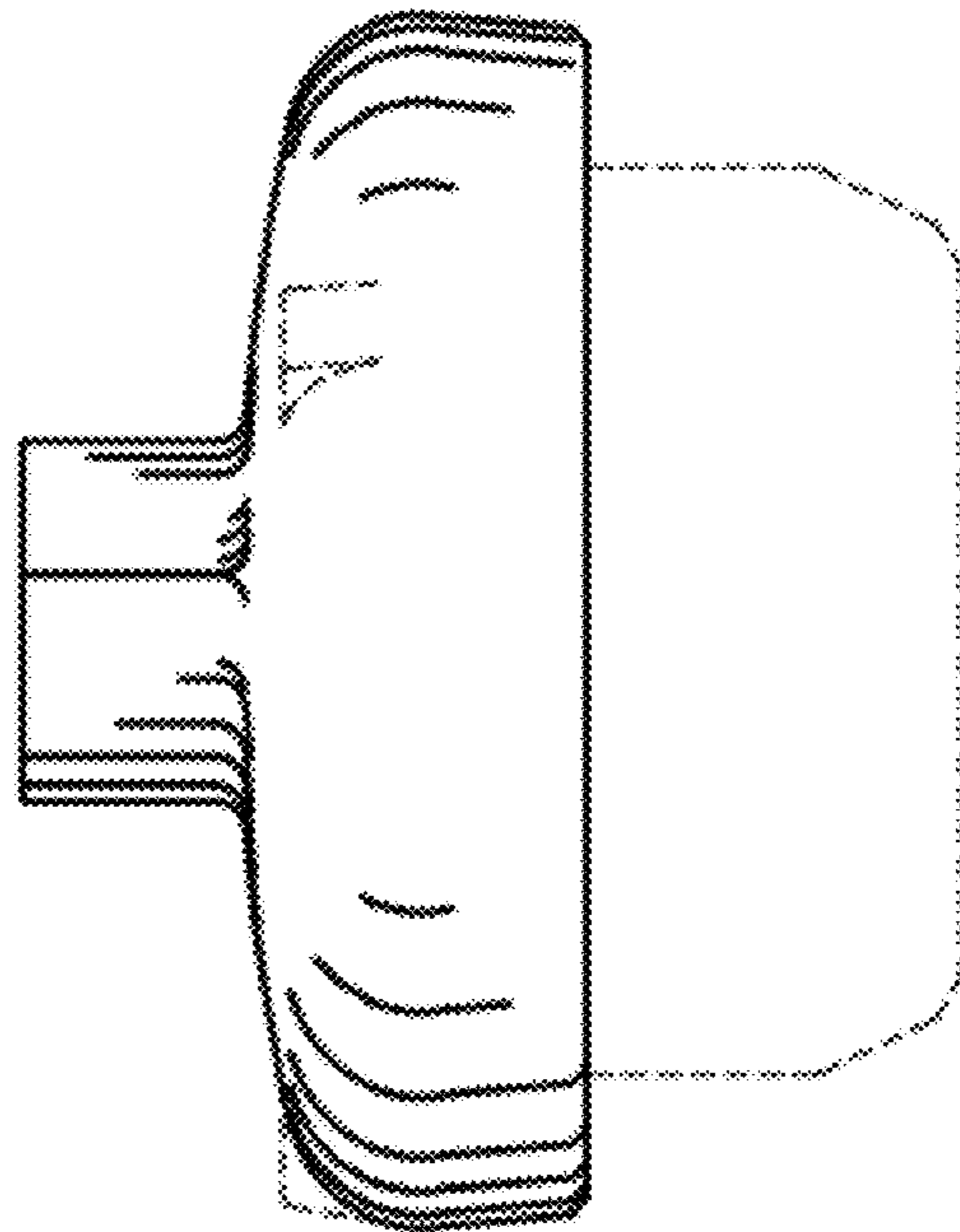


FIG. 3

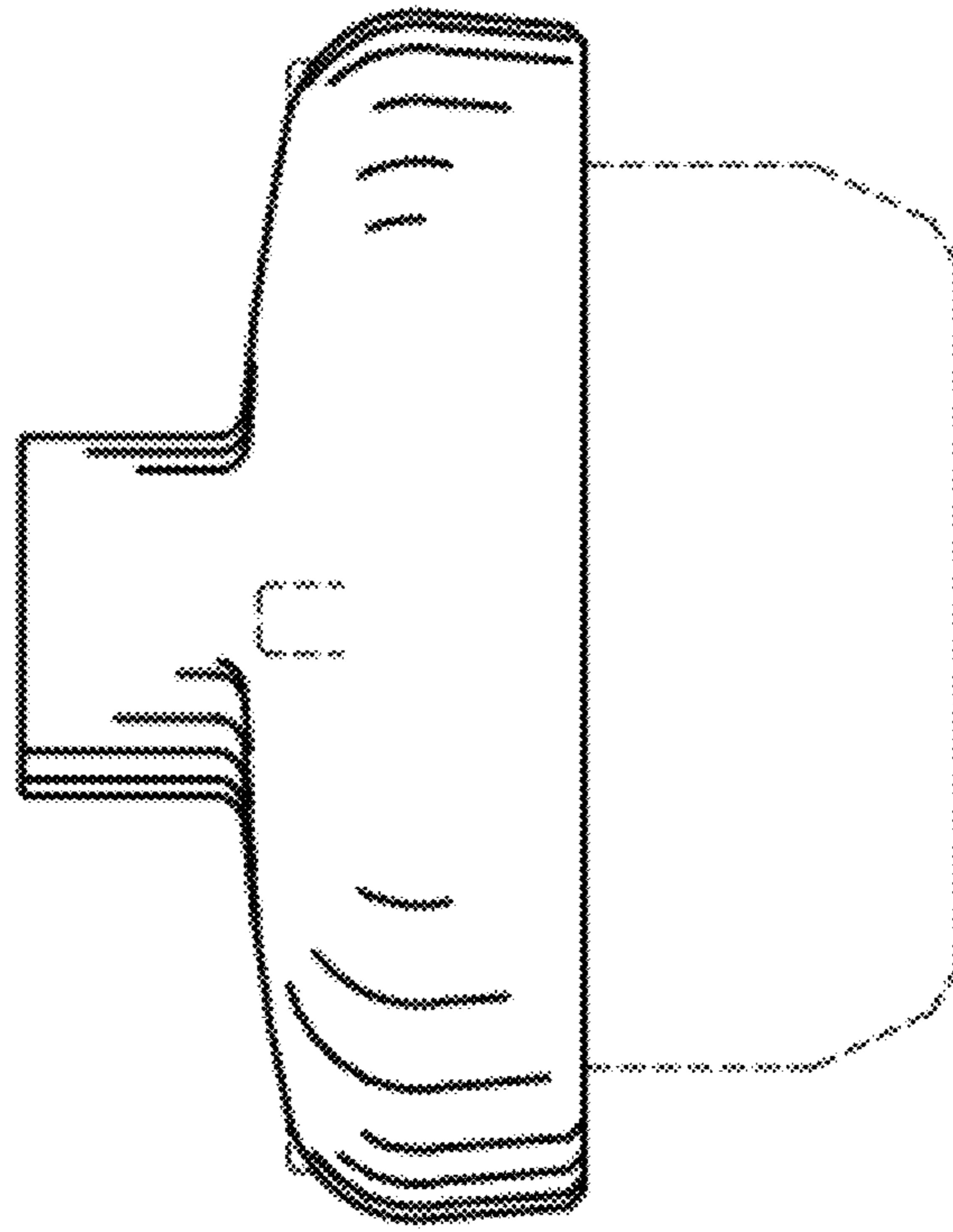


FIG. 4

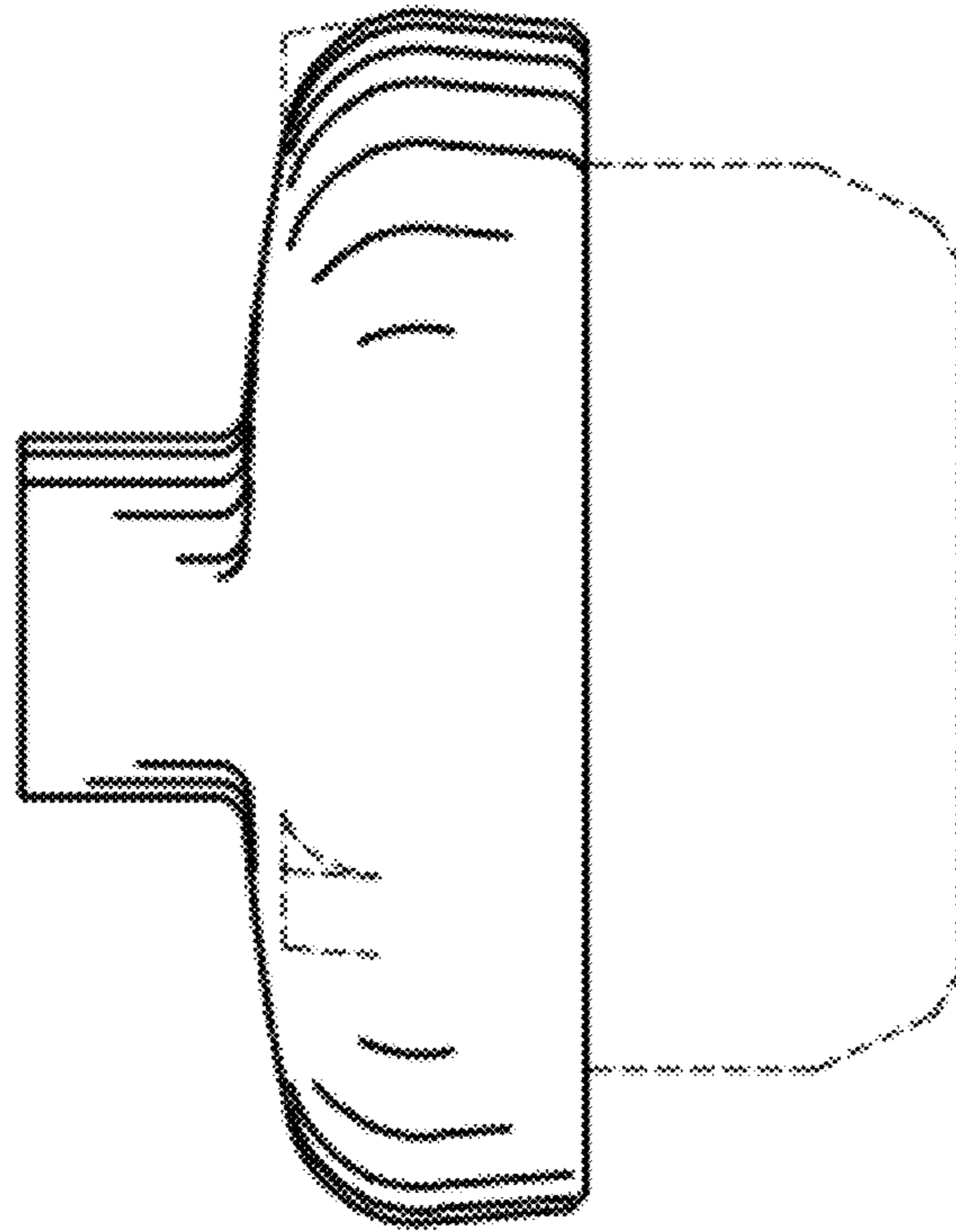


FIG. 5

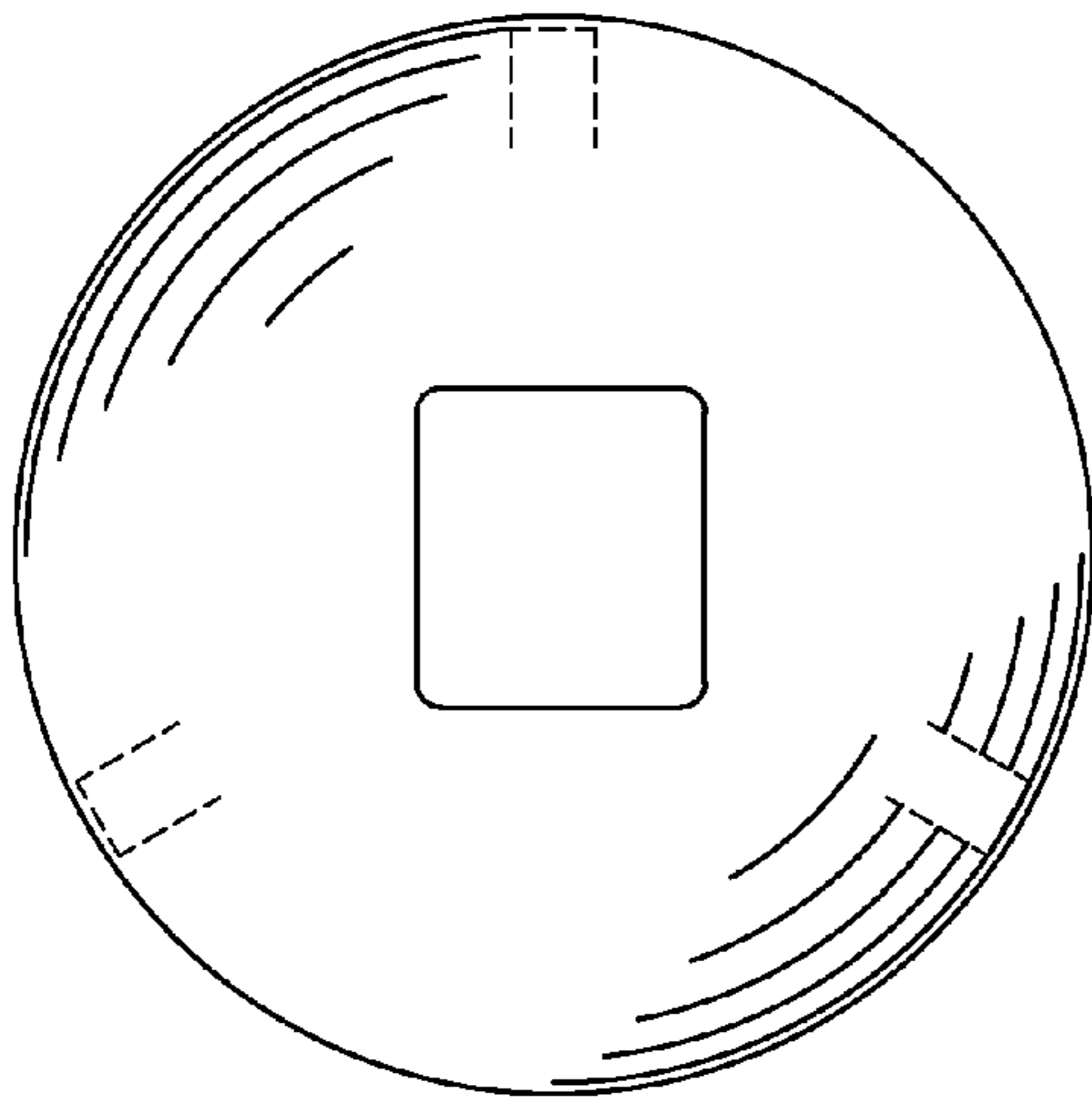


FIG. 6

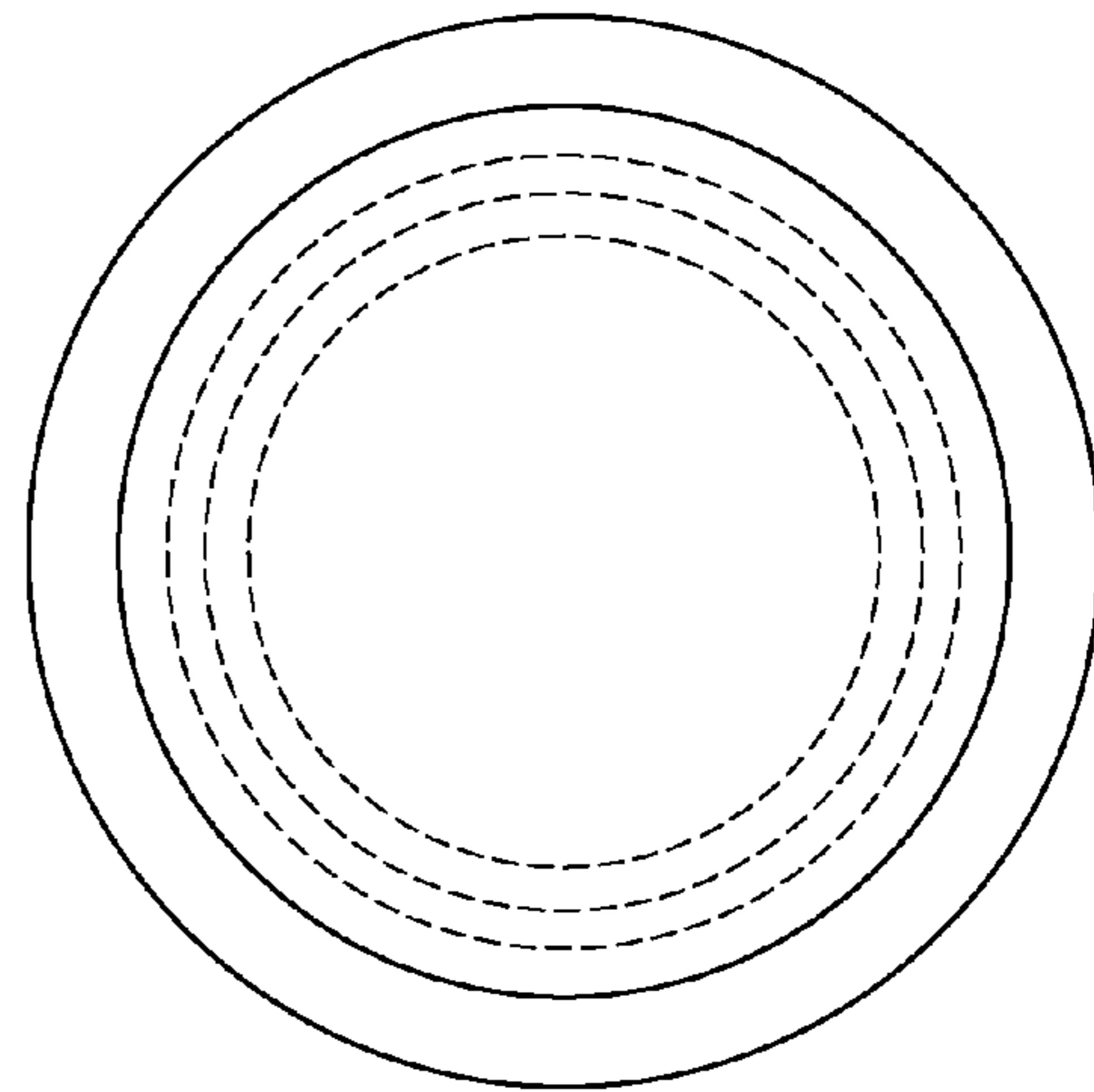


FIG. 7

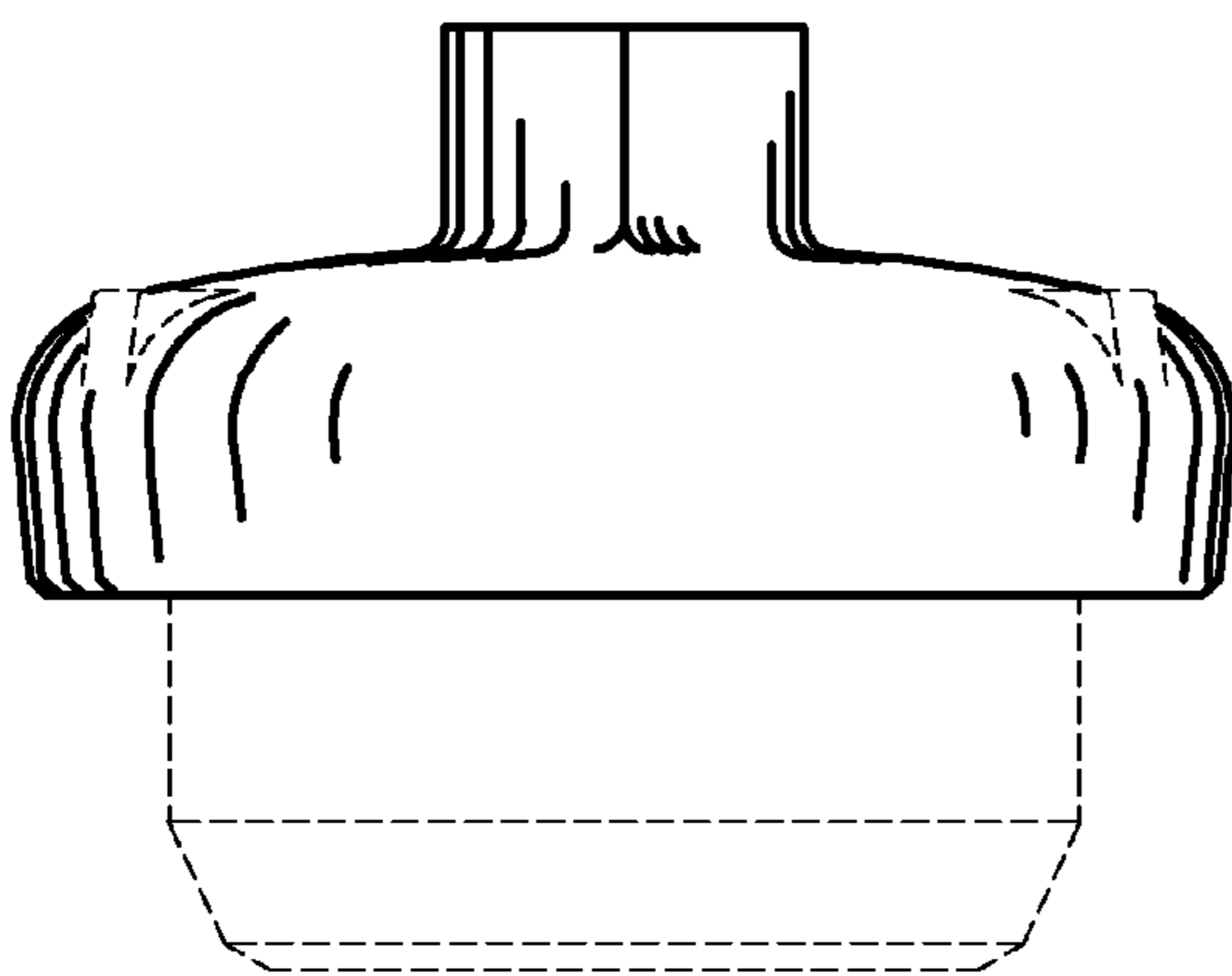


FIG. 8

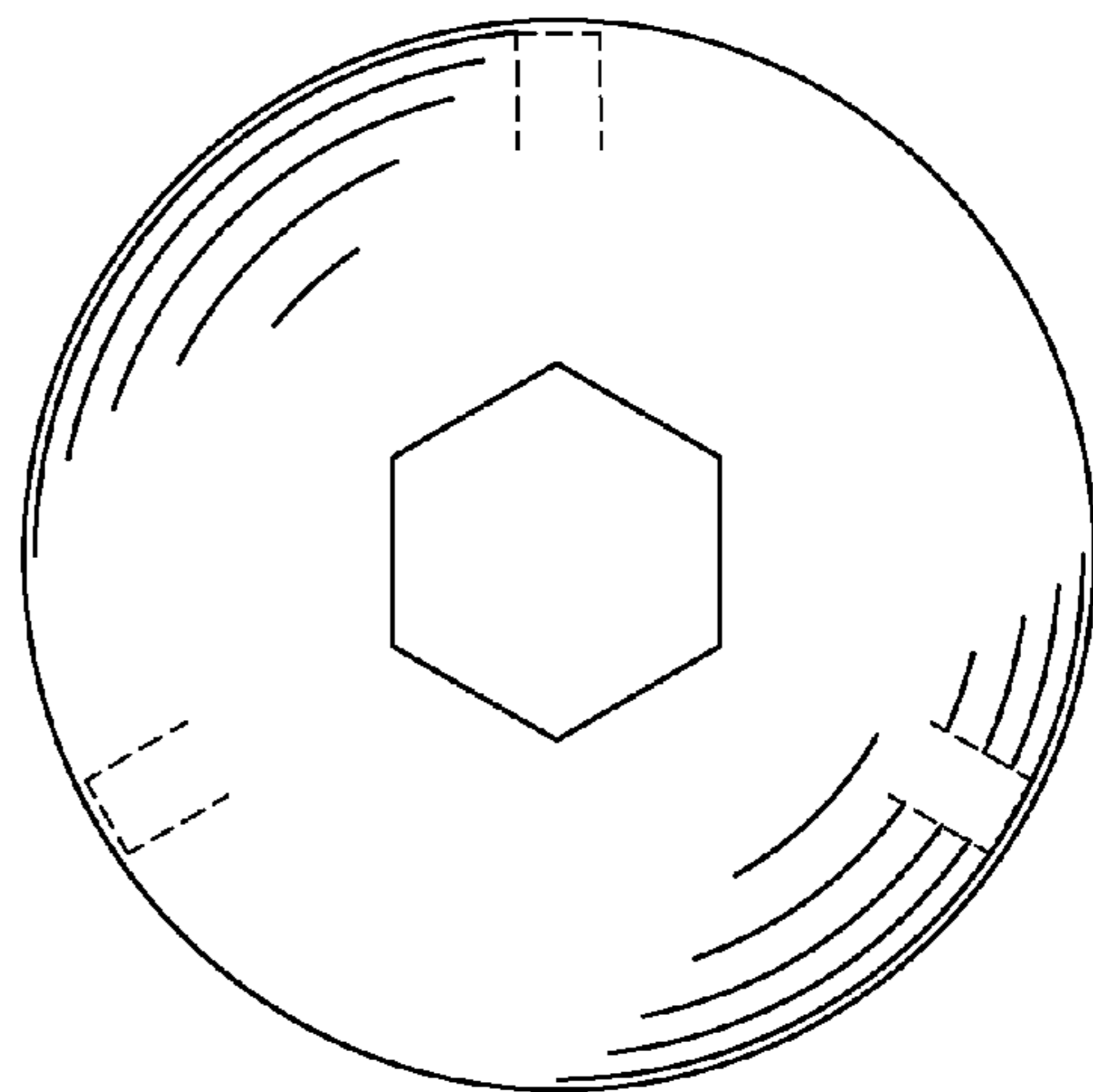


FIG. 9