



US00D654571S

(12) **United States Design Patent**
Yu

(10) **Patent No.:** **US D654,571 S**

(45) **Date of Patent:** **** Feb. 21, 2012**

(54) **FAUCET**

(75) **Inventor:** **Guang Yu**, Hangzhou (CN)

(73) **Assignee:** **Yatin Bath Corporation**, Hangzhou, Zhejiang Province (CN)

(**) **Term:** **14 Years**

(21) **Appl. No.:** **29/388,053**

(22) **Filed:** **Mar. 23, 2011**

(51) **LOC (9) Cl.** **02-01**

(52) **U.S. Cl.** **D23/242**

(58) **Field of Classification Search** D23/255,
D23/257, 238, 241–243, 250, 252, 25, 254;
4/676–678; 137/801

See application file for complete search history.

(56) **References Cited**

U.S. PATENT DOCUMENTS

D293,601 S * 1/1988 Hill et al. D23/255
D384,395 S * 9/1997 Doughty et al. D23/241

5,669,417 A * 9/1997 Lian-Jie 137/801
D463,533 S * 9/2002 Ko D23/242
D510,980 S * 10/2005 Fritz D23/241
D582,014 S * 12/2008 Spangler D23/250

* cited by examiner

Primary Examiner — Robert Delehanty

(74) *Attorney, Agent, or Firm* — Jacobson Holman PLLC

(57) **CLAIM**

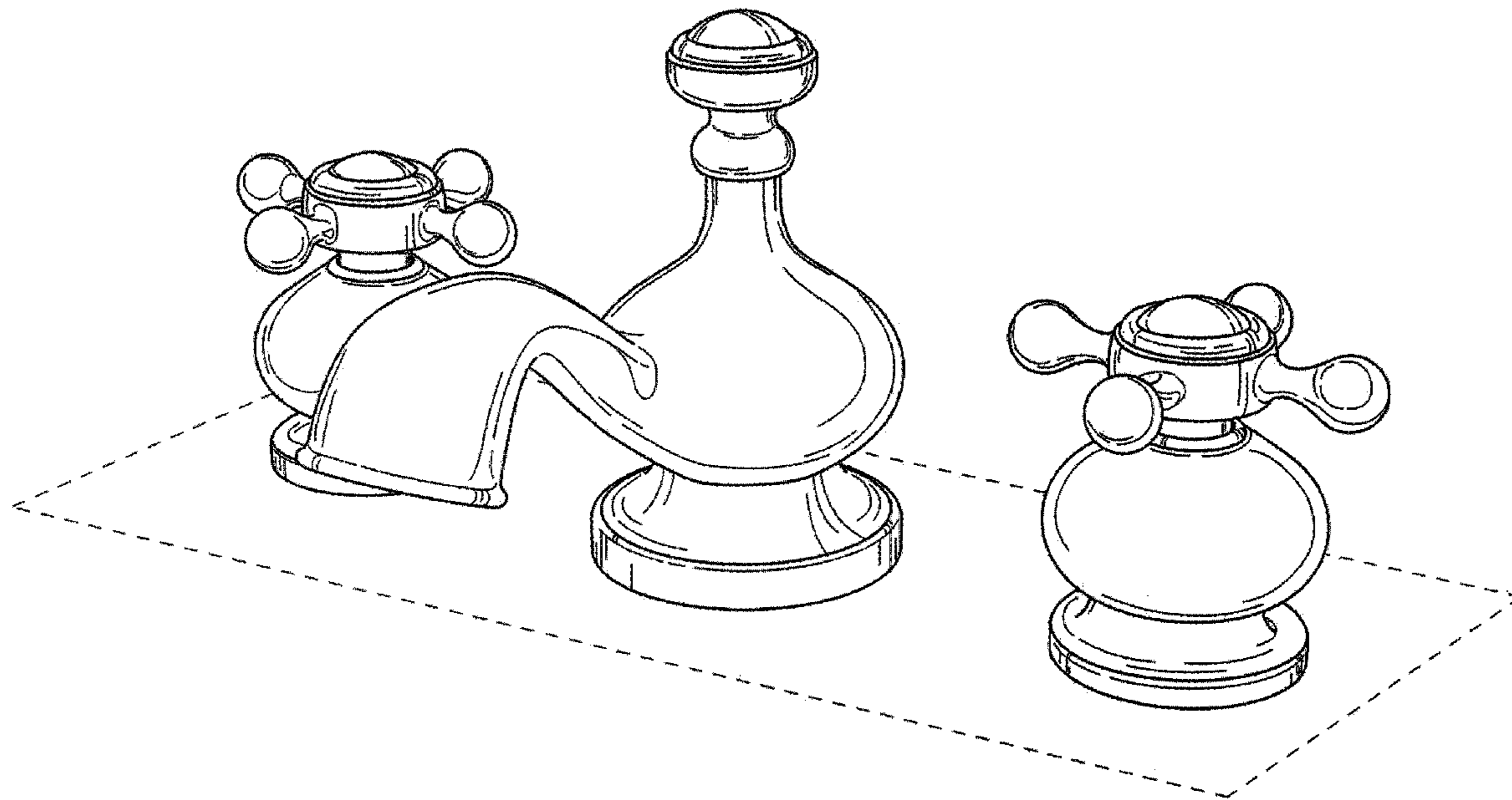
I claim the ornamental design for the faucet, as shown and described.

DESCRIPTION

FIG. 1 is a perspective view of the faucet showing the design; FIG. 2 is a front elevational view thereof; FIG. 3 is a rear elevational view thereof; FIG. 4 is a left side elevational view thereof; FIG. 5 is a right side elevational view thereof; and, FIG. 6 is a top plan view thereof.

The broken lines in the drawing show the environmental structure that forms no part of the design to be patented.

1 Claim, 6 Drawing Sheets



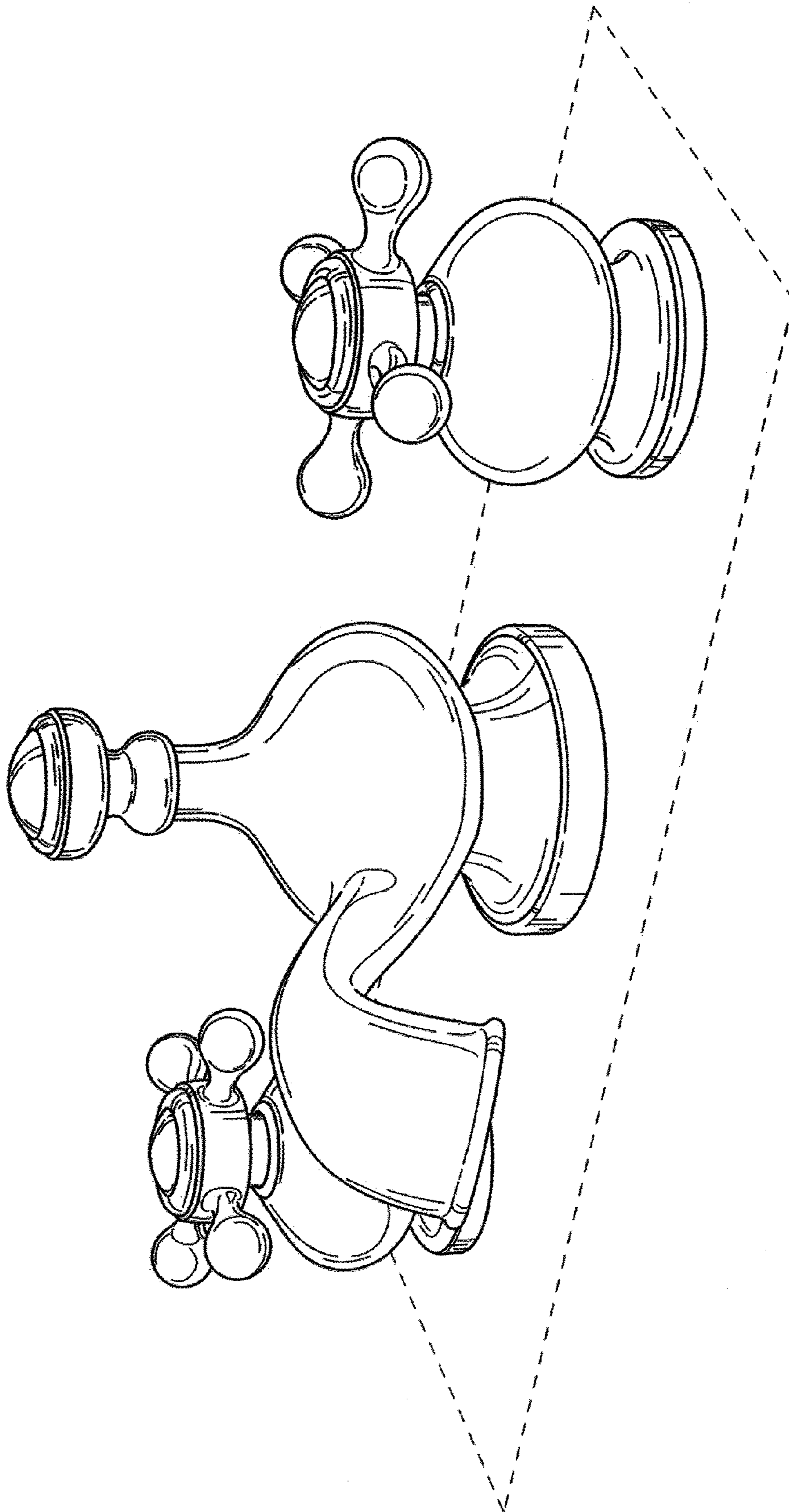


FIG. 1

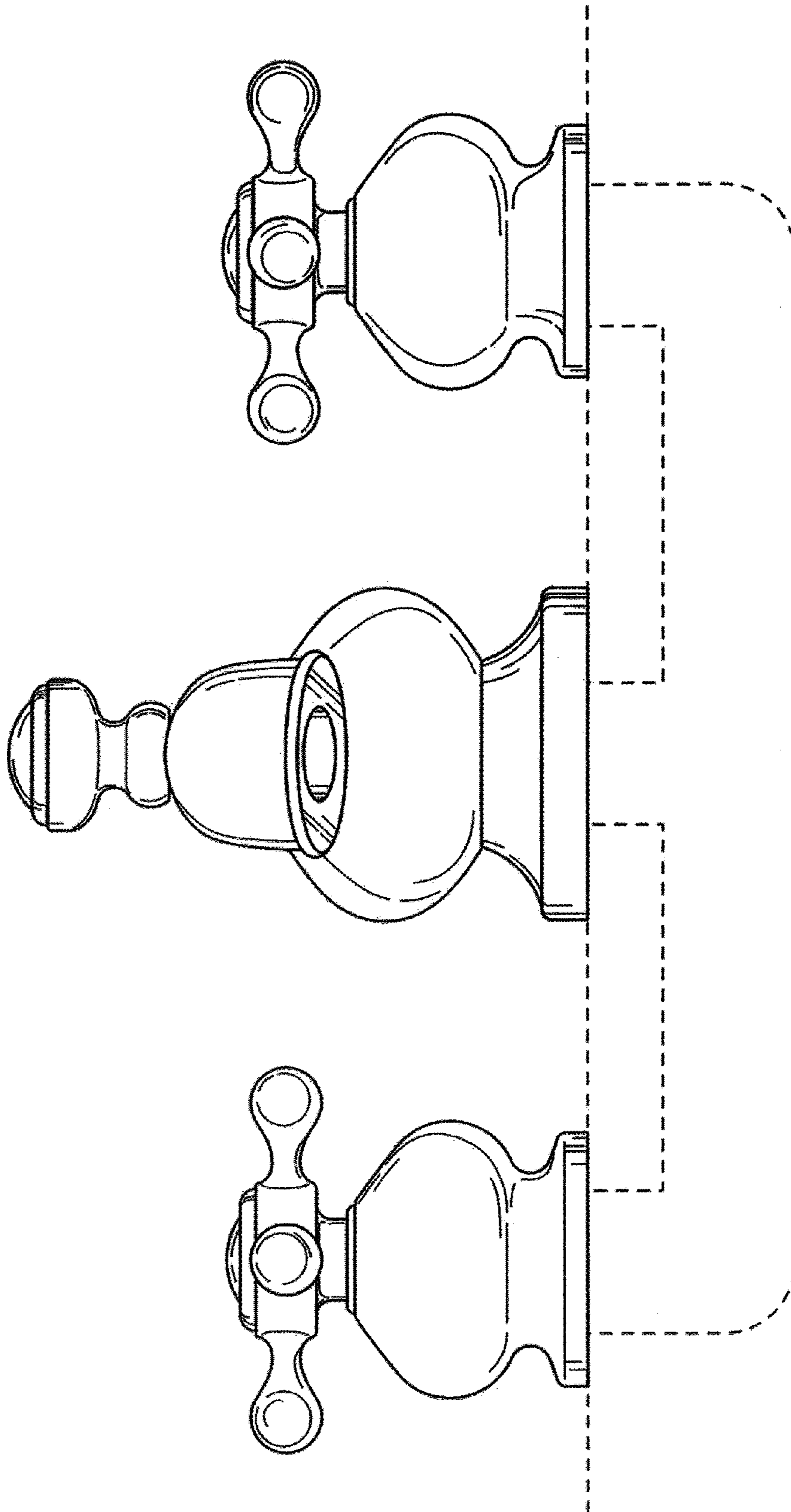


FIG. 2

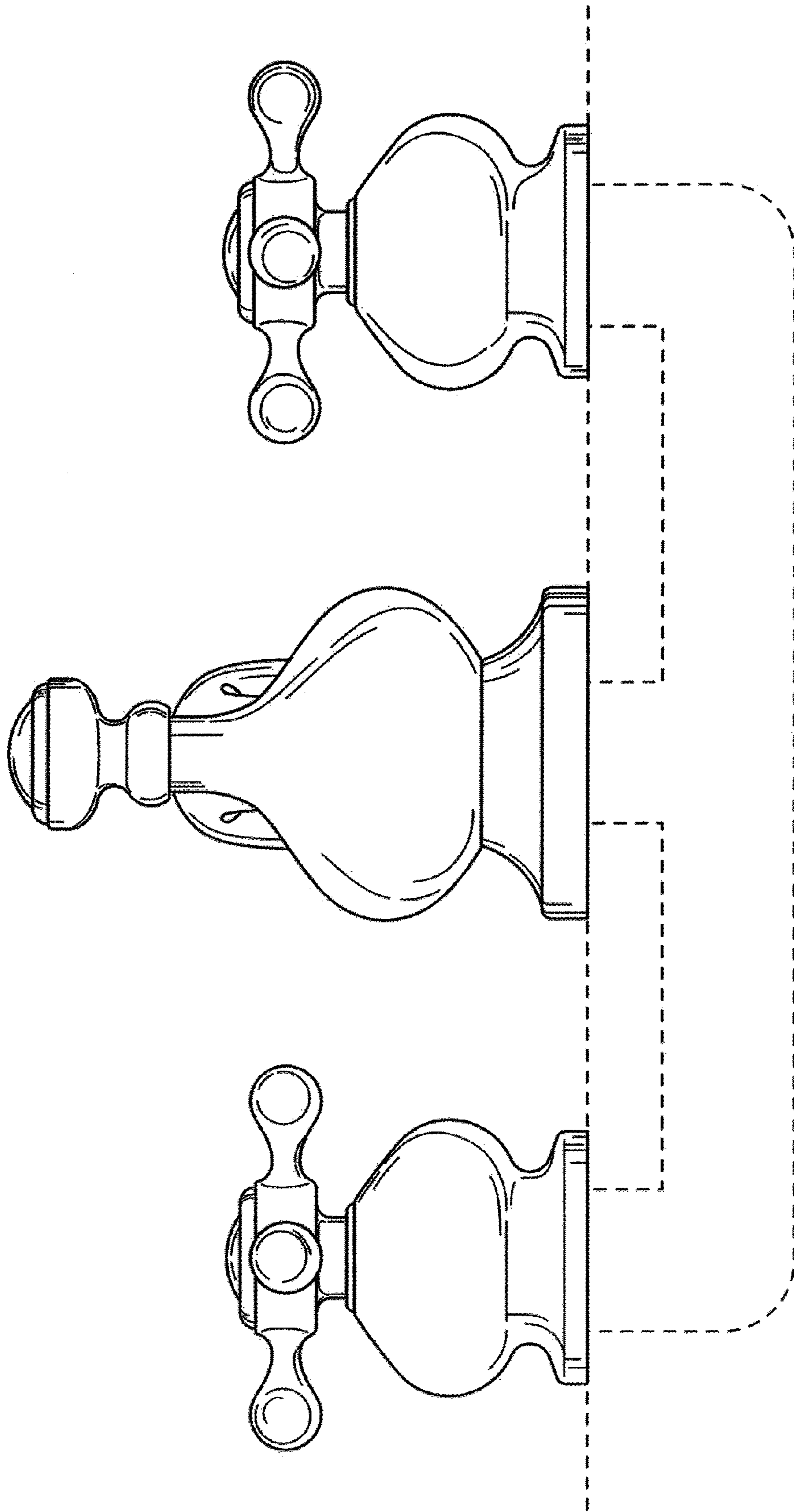


FIG. 3

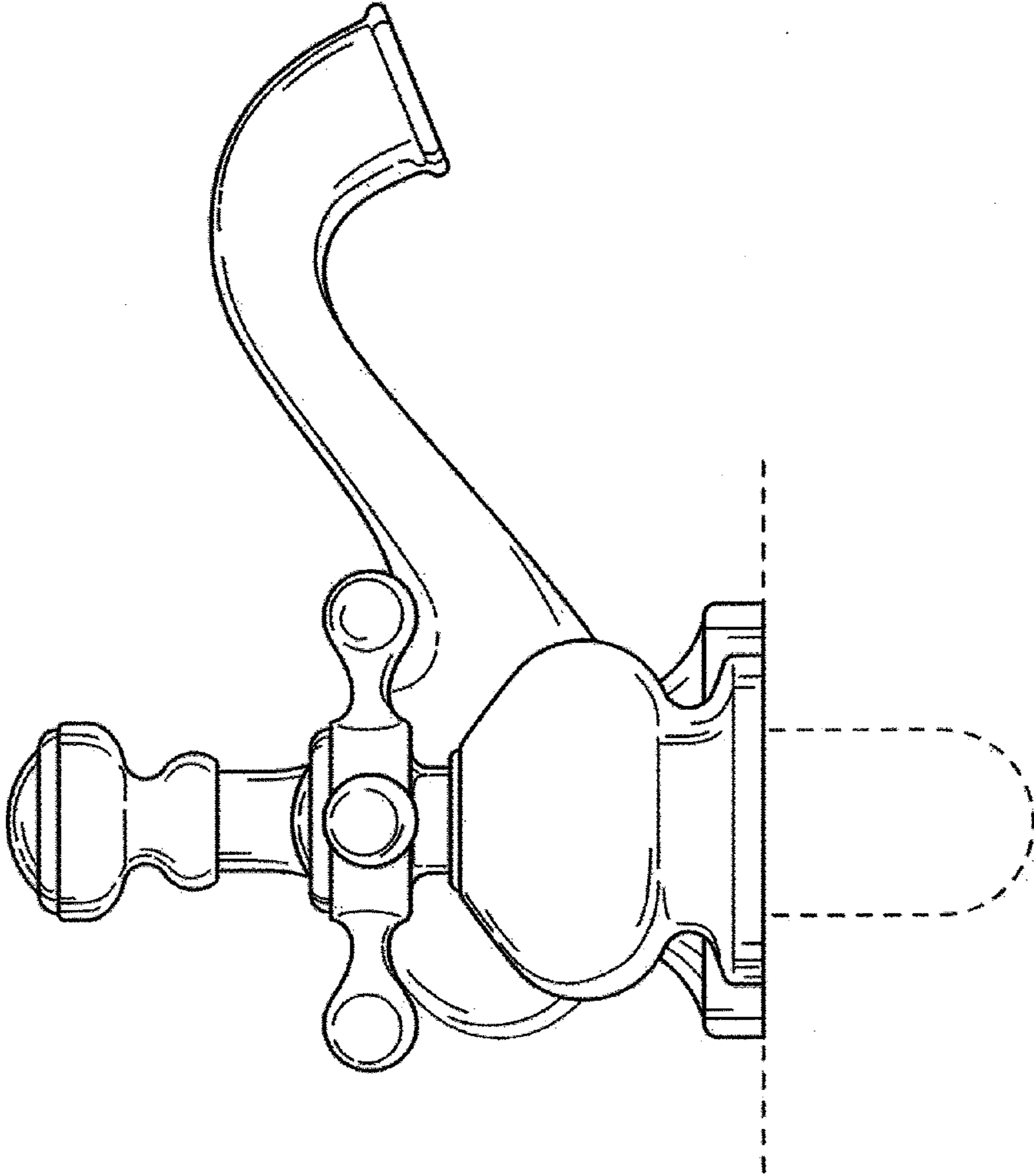


FIG. 4

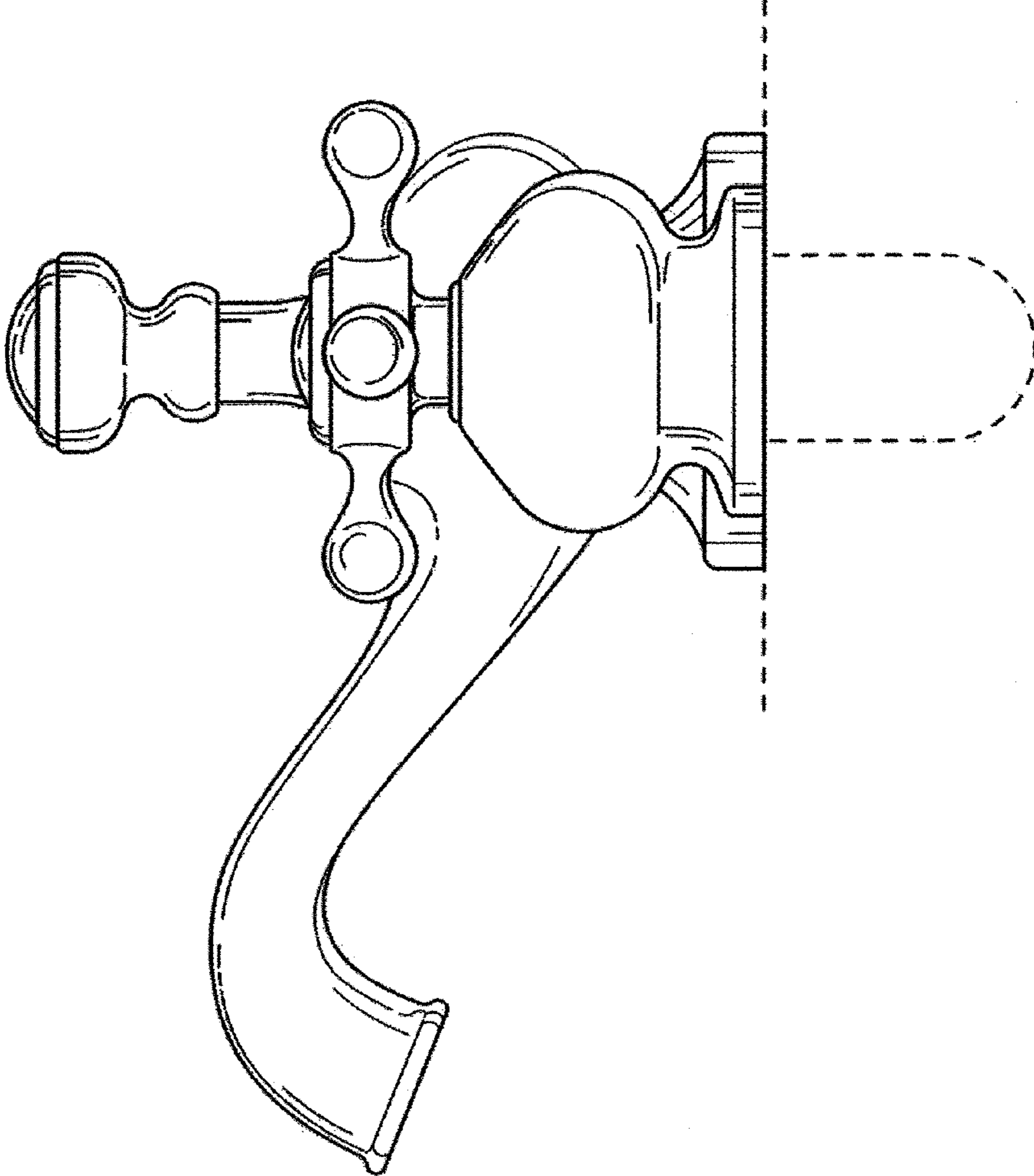


FIG. 5

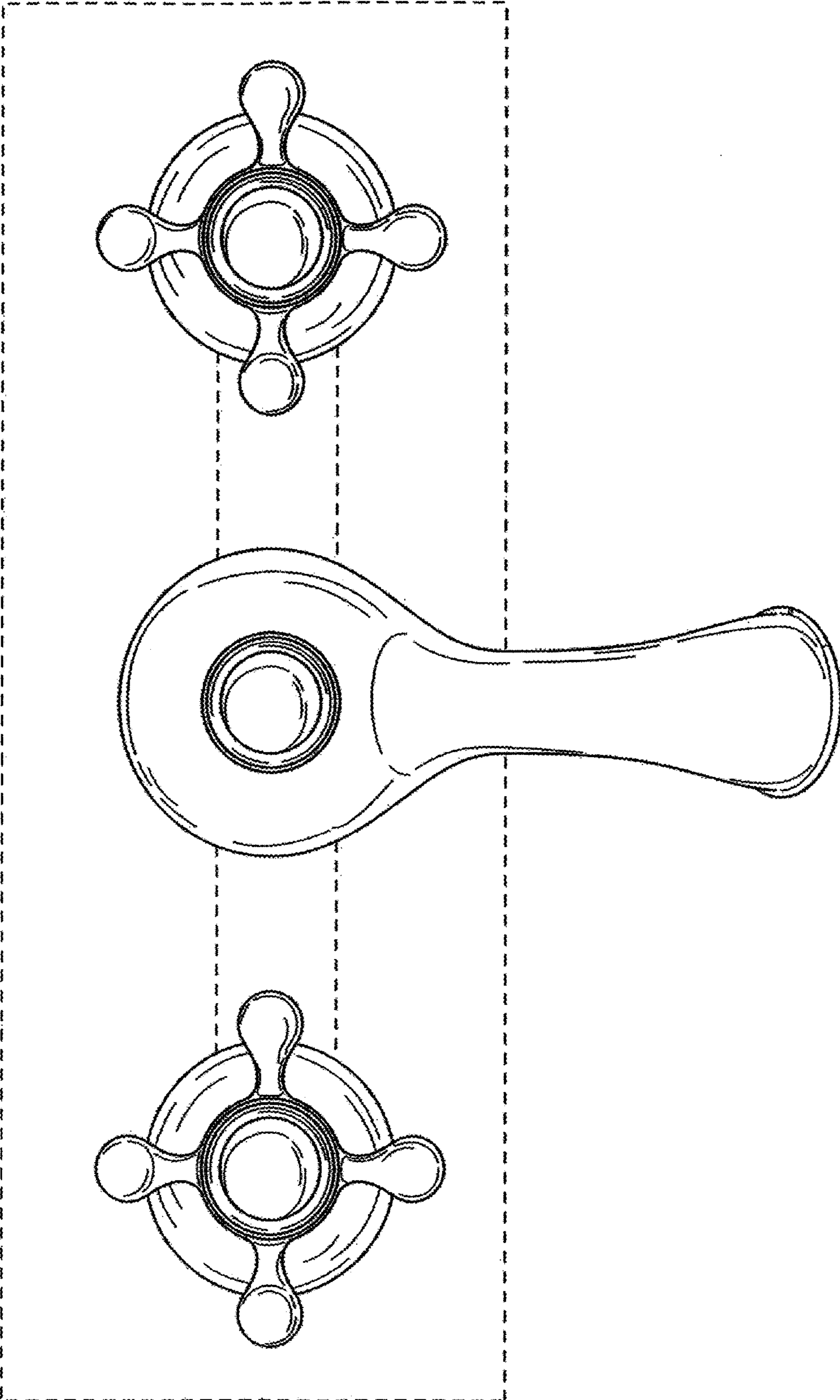


FIG. 6