



US00D654570S

(12) **United States Design Patent**
Yu

(10) **Patent No.:** **US D654,570 S**

(45) **Date of Patent:** **** Feb. 21, 2012**

(54) **FAUCET**

(75) **Inventor:** **Guang Yu, Hangzhou (CN)**

(73) **Assignee:** **Yatin Bath Corporation, Hangzhou, Zhejiang Province (CN)**

(**) **Term:** **14 Years**

(21) **Appl. No.:** **29/388,030**

(22) **Filed:** **Mar. 23, 2011**

(51) **LOC (9) Cl.** **23-01**

(52) **U.S. Cl.** **D23/242**

(58) **Field of Classification Search** D23/238,
D23/241-242, 250, 252, 254, 255, 257; 4/676-678;
137/801

See application file for complete search history.

(56) **References Cited**

U.S. PATENT DOCUMENTS

D492,389 S * 6/2004 Herbeau D23/238
D517,649 S * 3/2006 Egee D23/238

D551,323 S * 9/2007 Krumpe et al. D23/238
D625,392 S * 10/2010 Kulig D23/242
D644,301 S * 8/2011 Flowers et al. D23/238

* cited by examiner

Primary Examiner — Robert Delehanty

(74) *Attorney, Agent, or Firm* — Jacobson Holman PLLC

(57) **CLAIM**

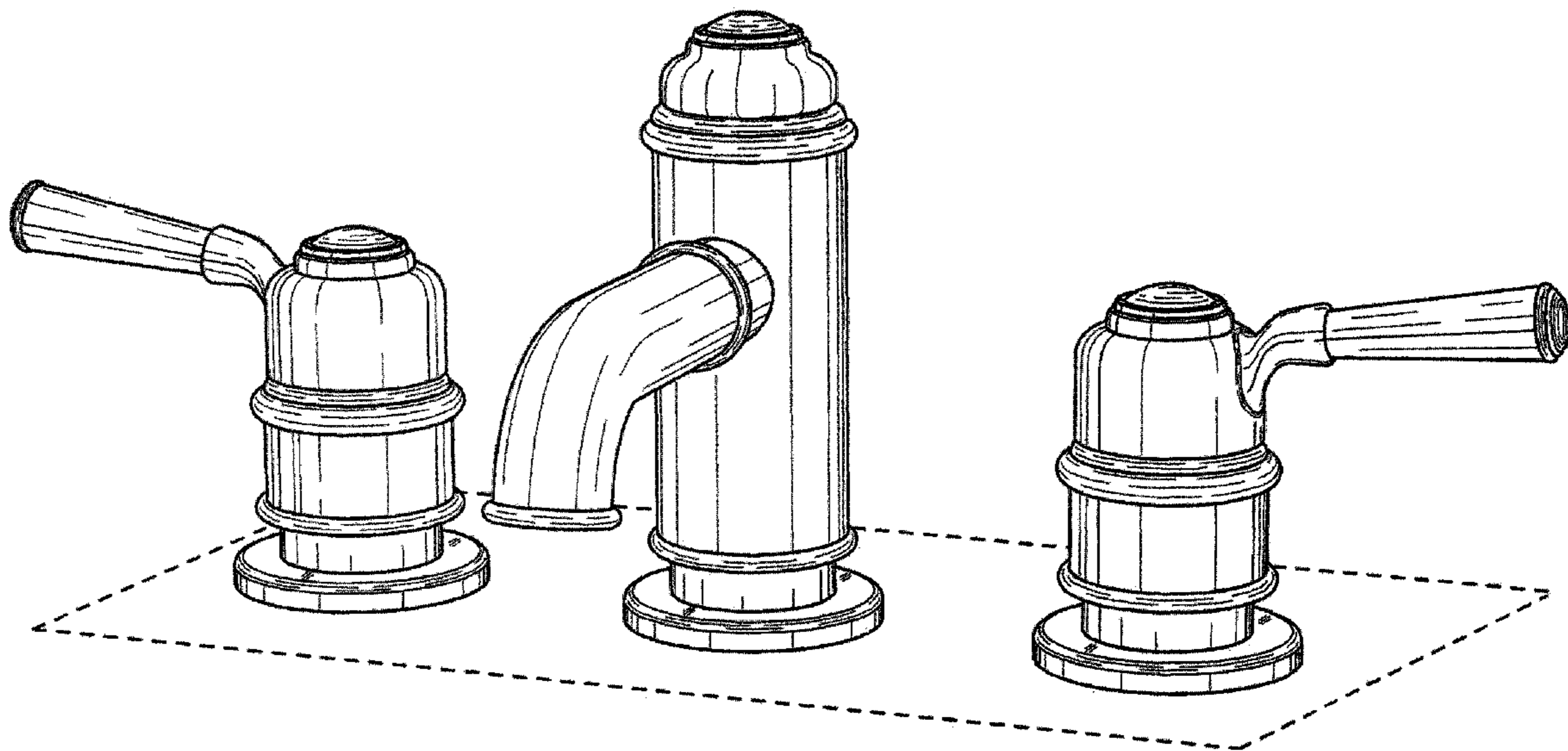
I claim the ornamental design for the faucet, as shown and described.

DESCRIPTION

FIG. 1 is a perspective view of the faucet showing the design; FIG. 2 is a front elevational view thereof; FIG. 3 is a rear elevational view thereof; FIG. 4 is a left side elevational view thereof; FIG. 5 is a right side elevational view thereof; and, FIG. 6 is a top plan view thereof.

The broken lines in the drawing show the environmental structure that forms no part of the design to be patented.

1 Claim, 6 Drawing Sheets



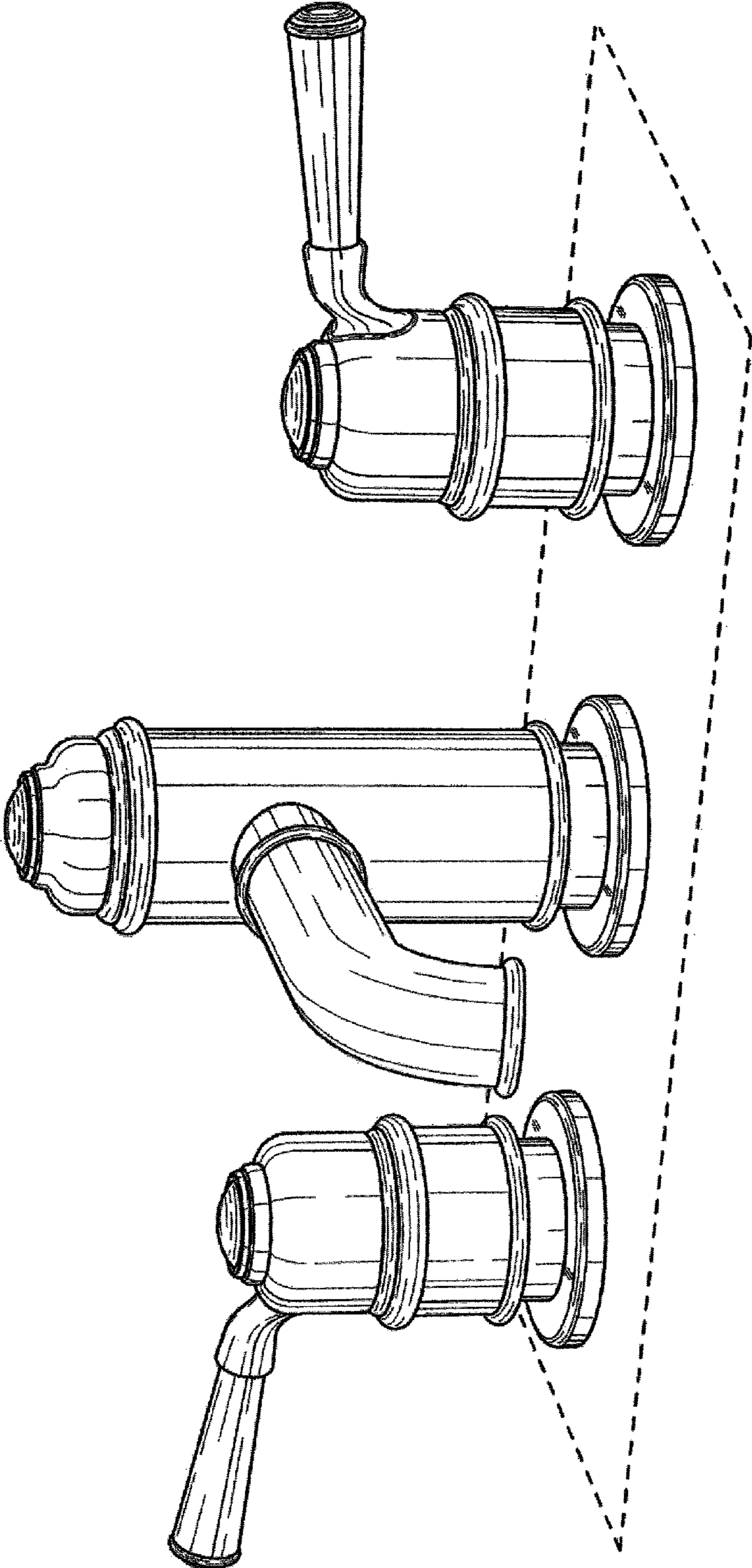


FIG. 1

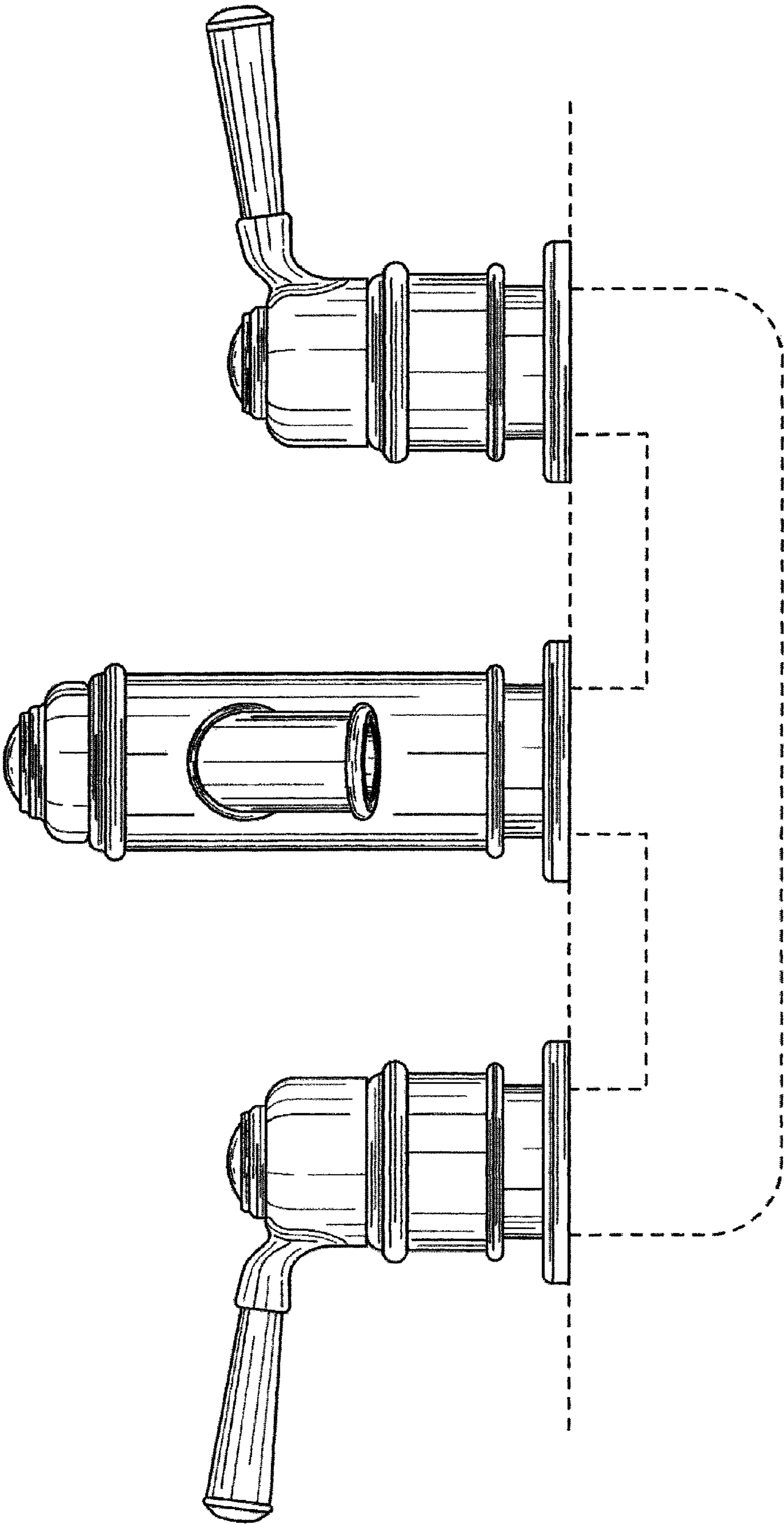


FIG. 2

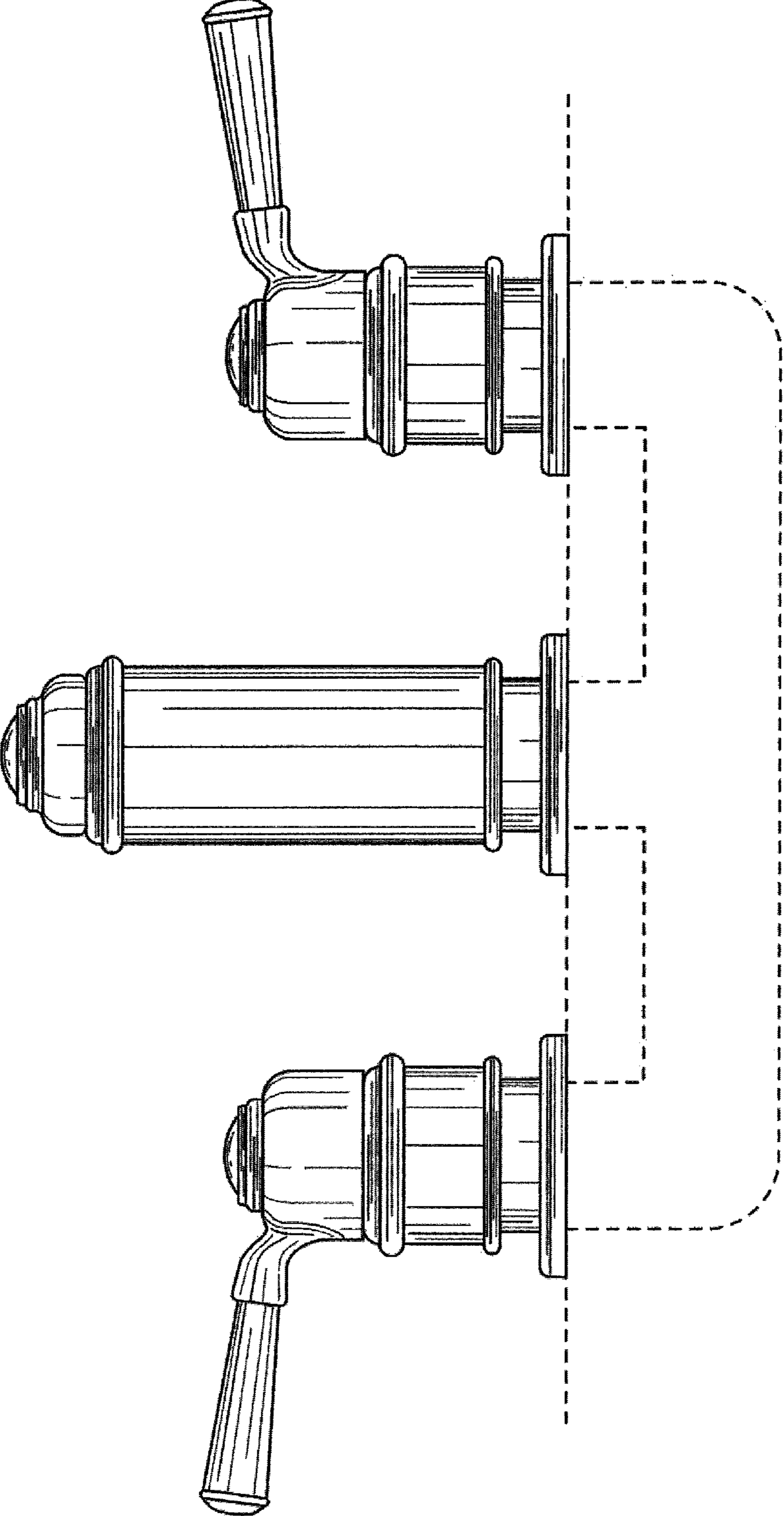


FIG. 3

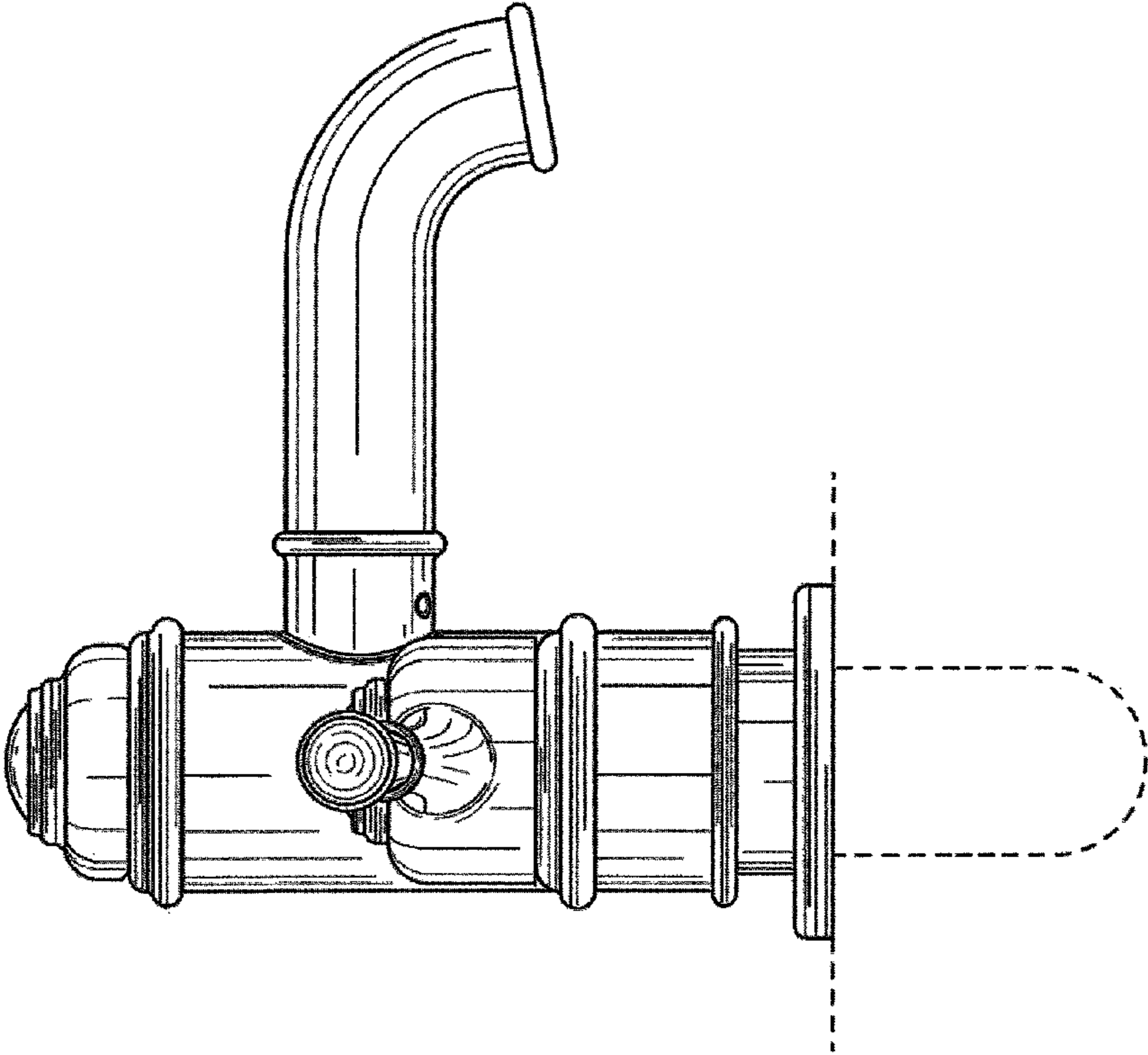


FIG. 4

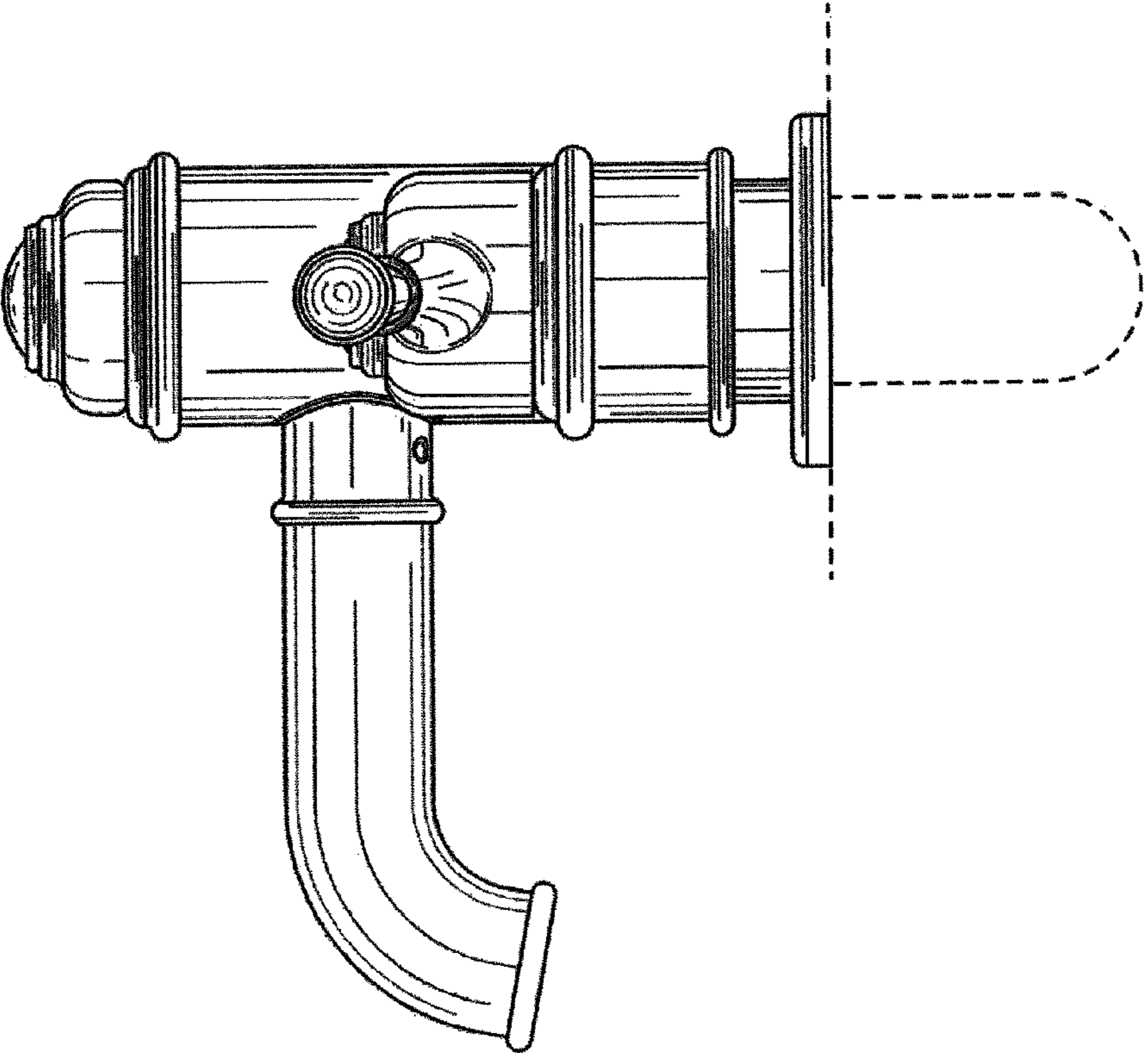


FIG. 5

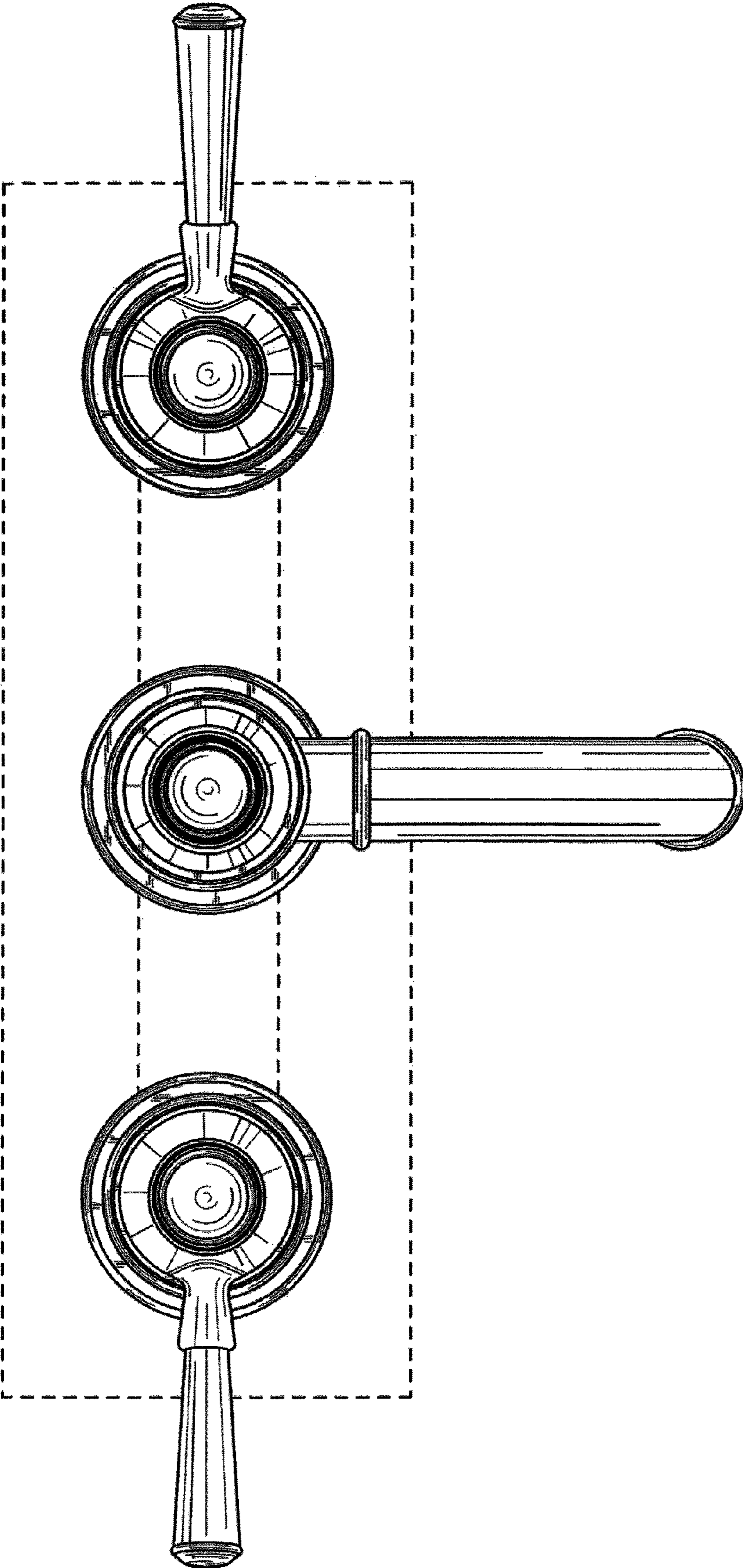


FIG. 6