



US00D654569S

(12) **United States Design Patent**  
**Yu**

(10) **Patent No.:** **US D654,569 S**

(45) **Date of Patent:** **\*\* Feb. 21, 2012**

(54) **FAUCET**

(75) **Inventor:** **Guang Yu, Hangzhou (CN)**

(73) **Assignee:** **Yatin Bath Corporation, Hangzhou, Zhejiang Province (CN)**

(\*\*) **Term:** **14 Years**

(21) **Appl. No.:** **29/388,057**

(22) **Filed:** **Mar. 23, 2011**

(51) **LOC (9) Cl.** ..... **02-01**

(52) **U.S. Cl.** ..... **D23/241; D23/253**

(58) **Field of Classification Search** ..... **D23/255, D23/257, 238, 242-243, 250, 252, 254; 4/676-678; 137/801**

See application file for complete search history.

(56) **References Cited**

**U.S. PATENT DOCUMENTS**

D349,331 S \* 8/1994 Bollenbacher ..... D23/257  
D384,395 S \* 9/1997 Doughty et al. .... D23/241

5,669,417 A \* 9/1997 Lian-Jie ..... 137/801  
D445,877 S \* 7/2001 Paredes ..... D23/241  
D458,344 S \* 6/2002 Mullenmeister ..... D23/250  
D463,533 S \* 9/2002 Ko ..... D23/242  
D516,674 S \* 3/2006 Ouyoung ..... D23/238  
D582,014 S \* 12/2008 Spangler ..... D23/250

\* cited by examiner

*Primary Examiner* — Robert Delehanty

(74) *Attorney, Agent, or Firm* — Jacobson Holman PLLC

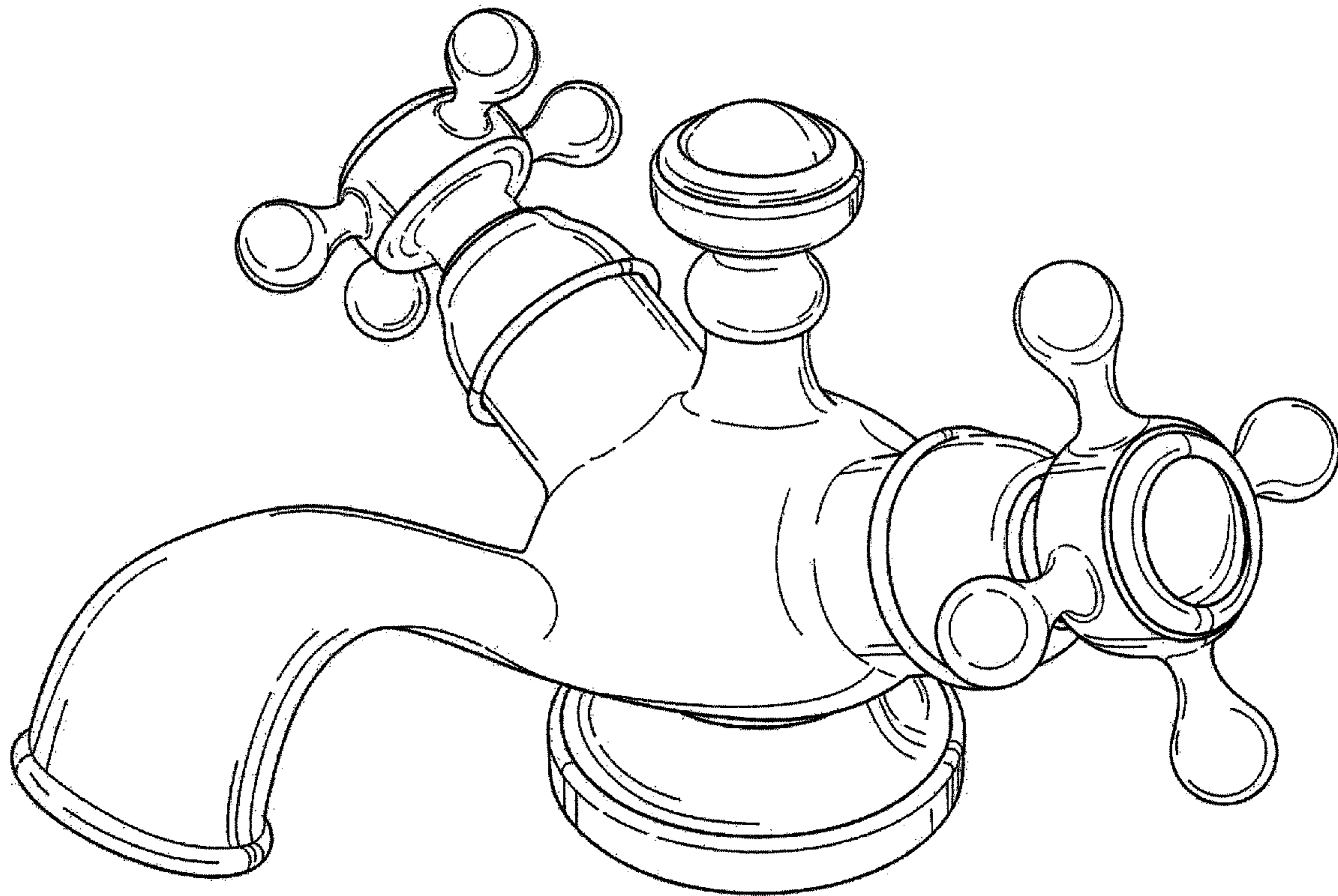
(57) **CLAIM**

I claim the ornamental design for the faucet, as shown and described.

**DESCRIPTION**

FIG. 1 is a perspective view of the faucet showing the design; FIG. 2 is a front elevational view thereof; FIG. 3 is a rear elevational view thereof; FIG. 4 is a left side elevational view thereof; FIG. 5 is a right side elevational view thereof; and, FIG. 6 is a top plan view thereof.

**1 Claim, 6 Drawing Sheets**



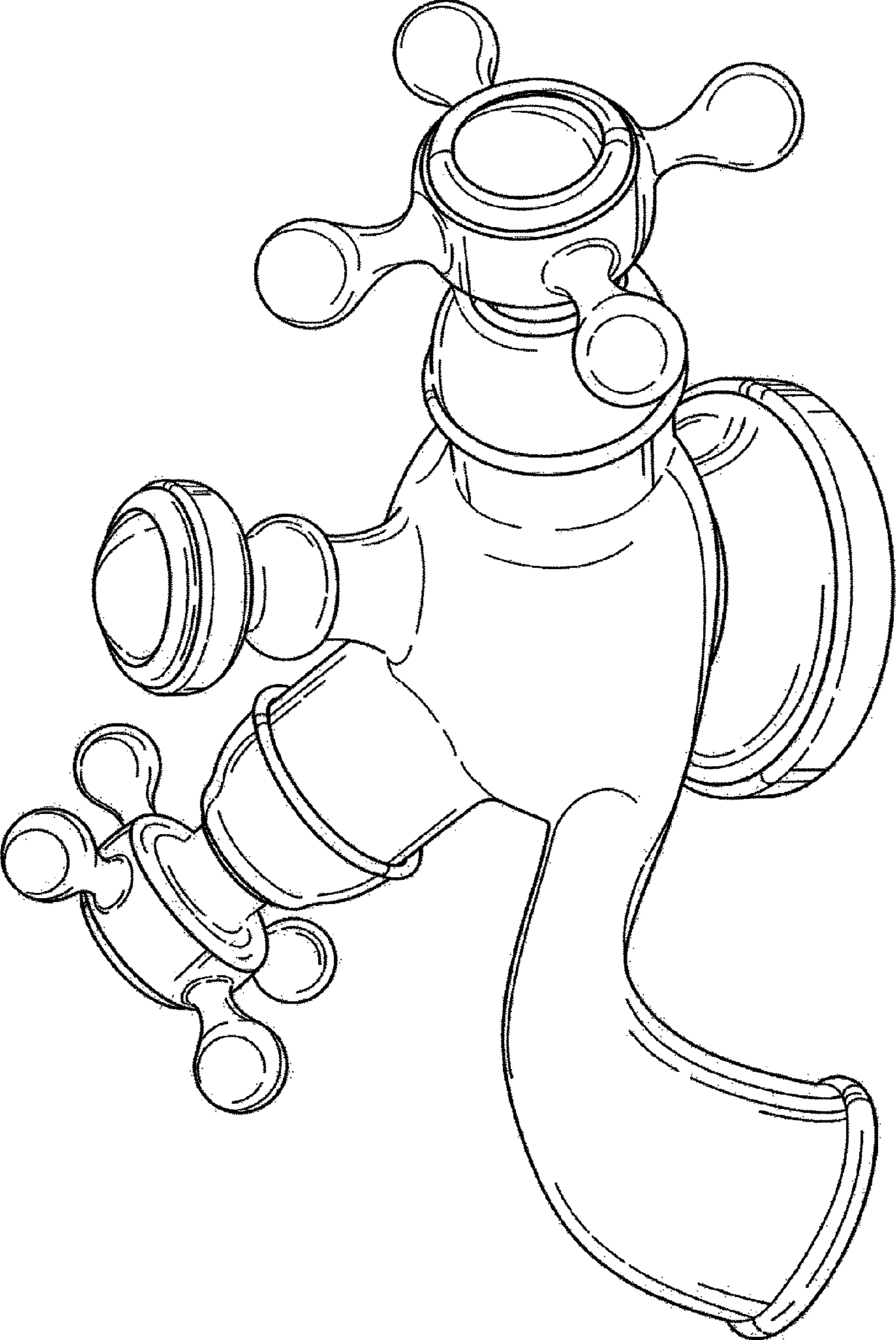


FIG. 1

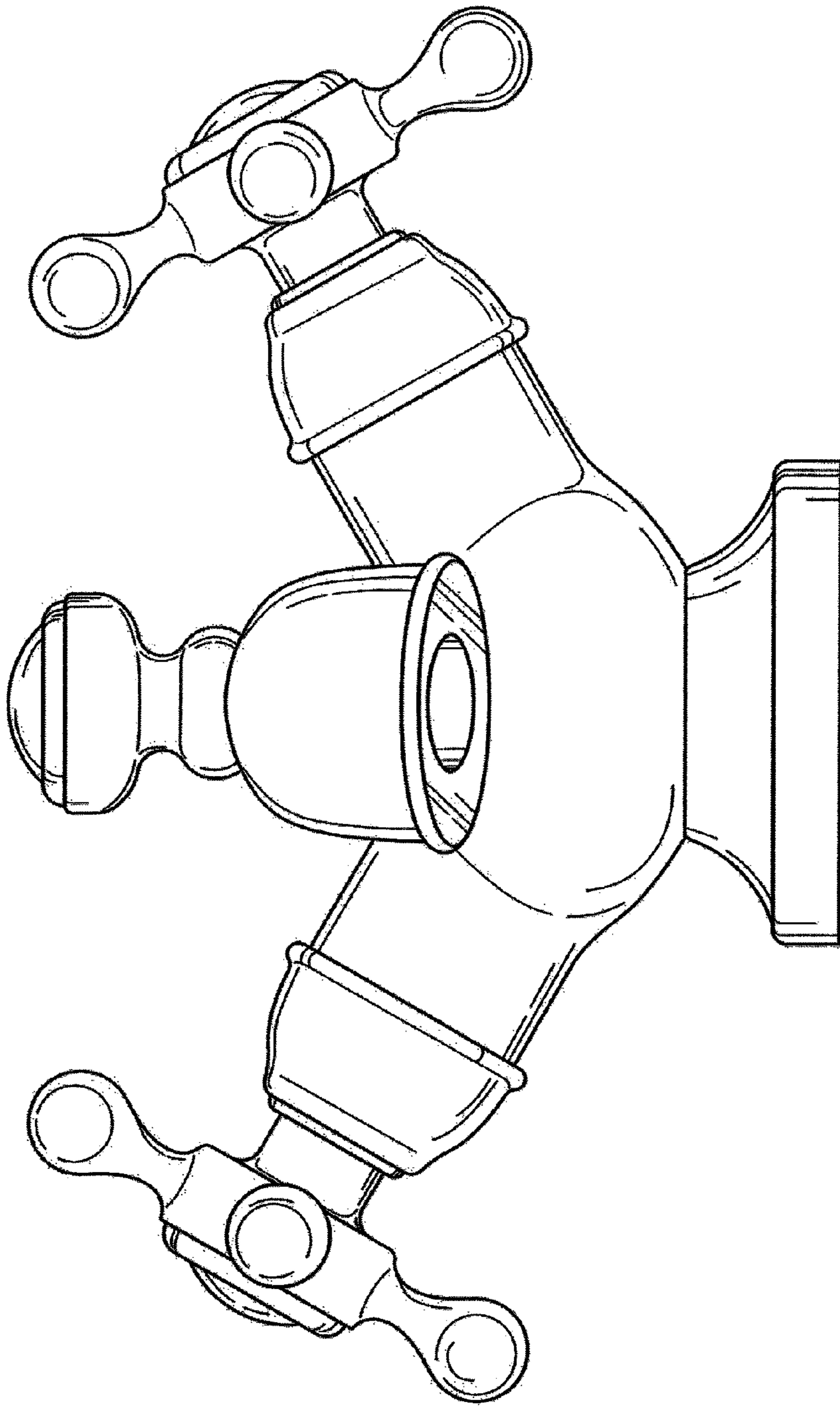


FIG. 2

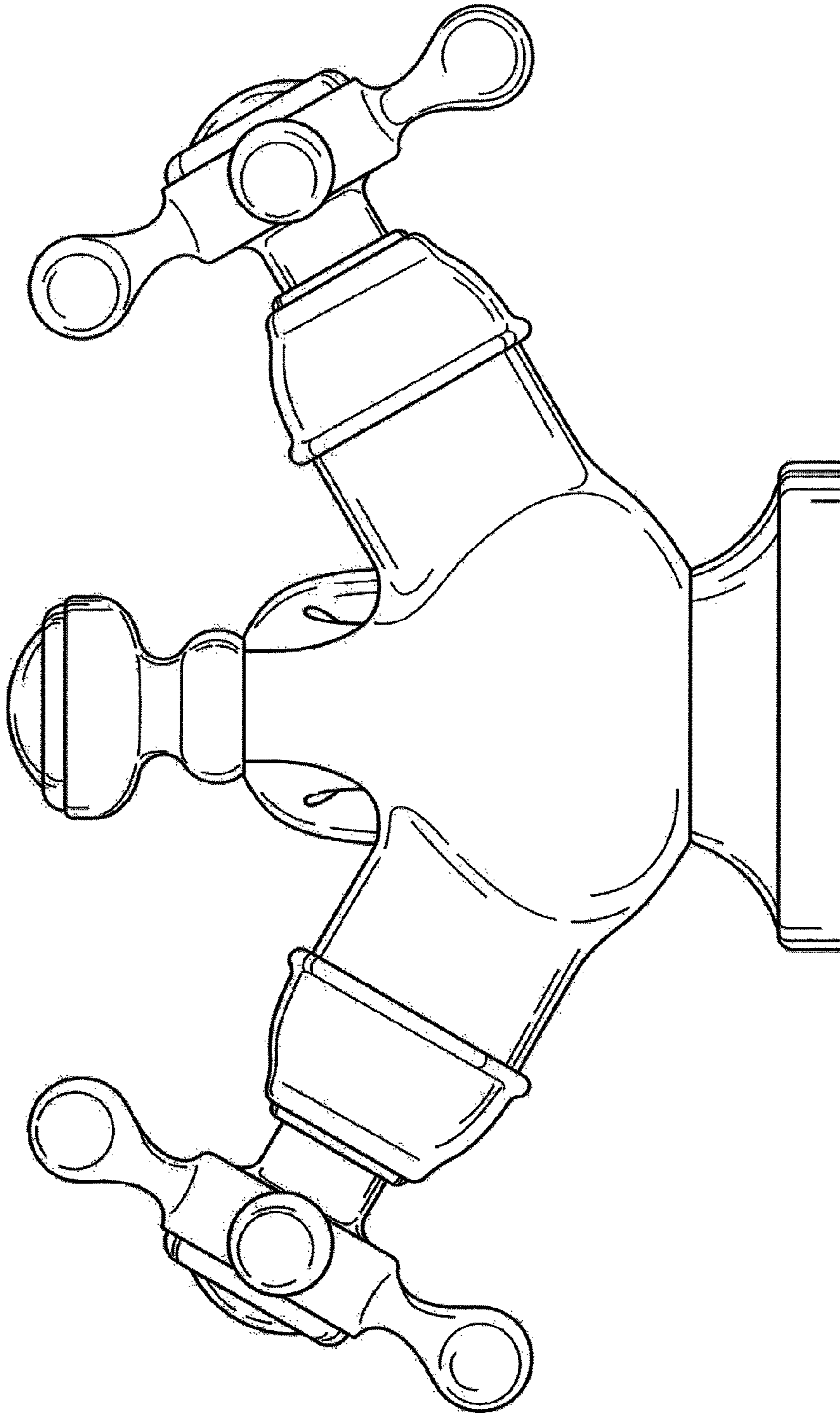


FIG. 3

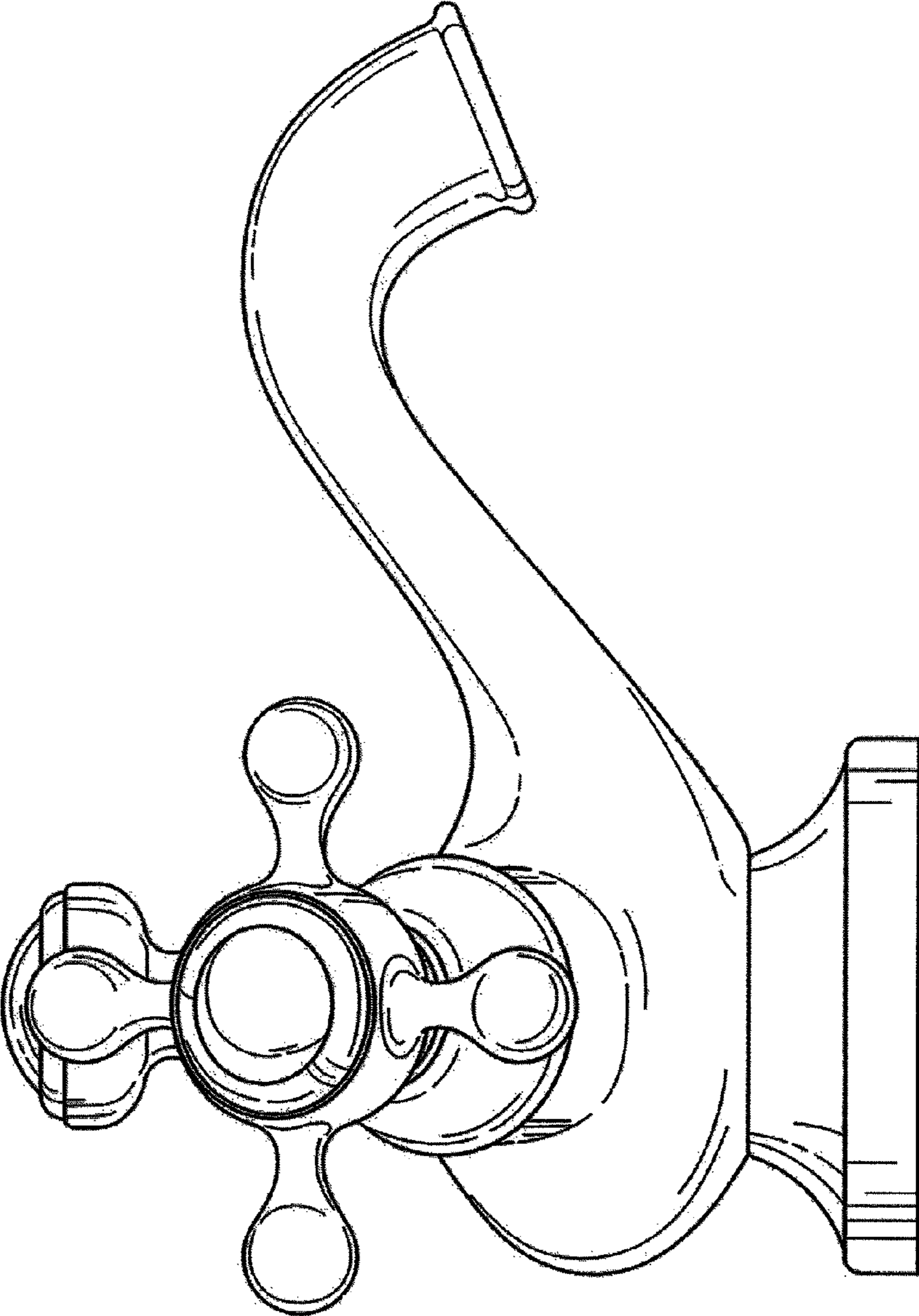


FIG. 4

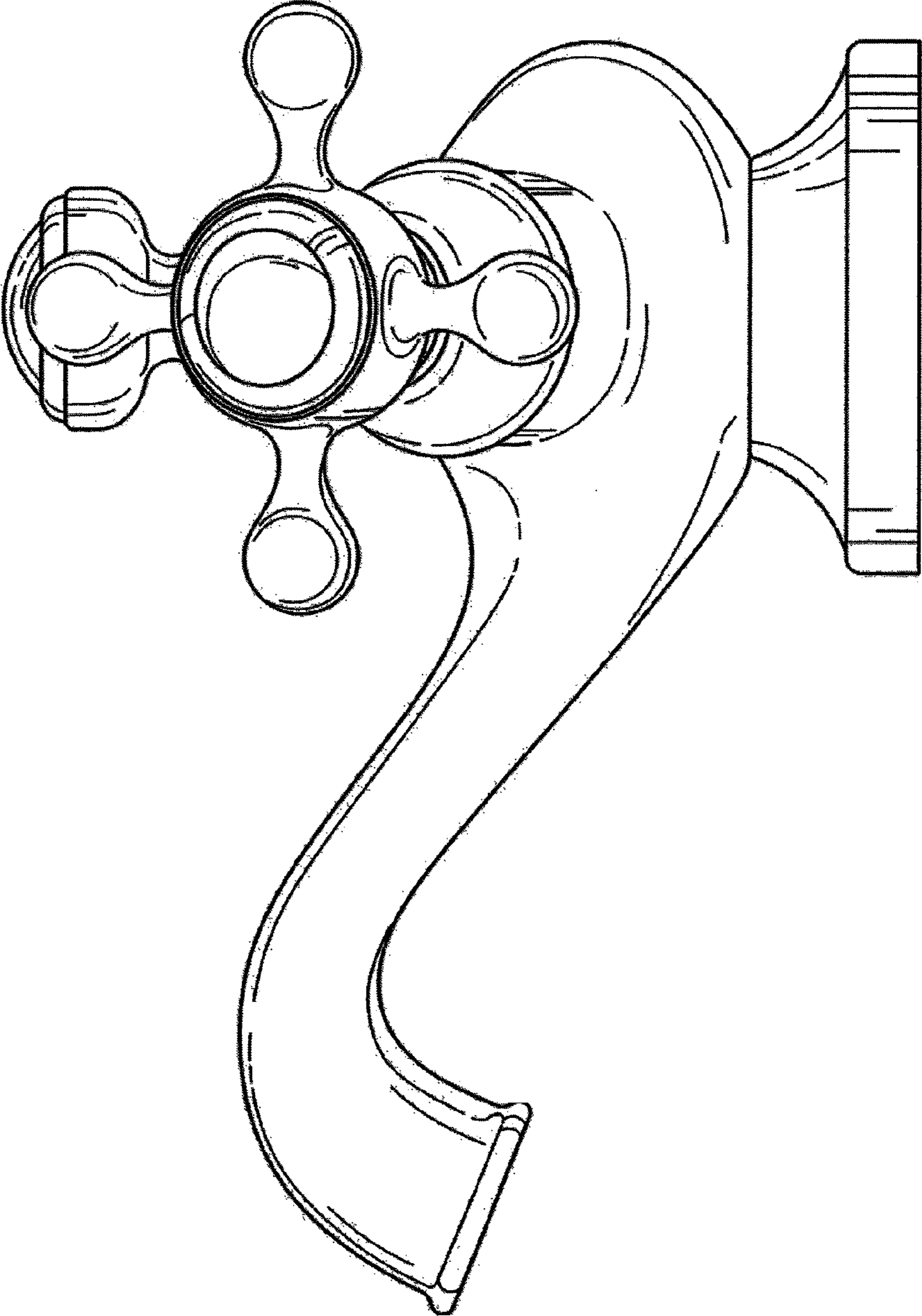


FIG. 5

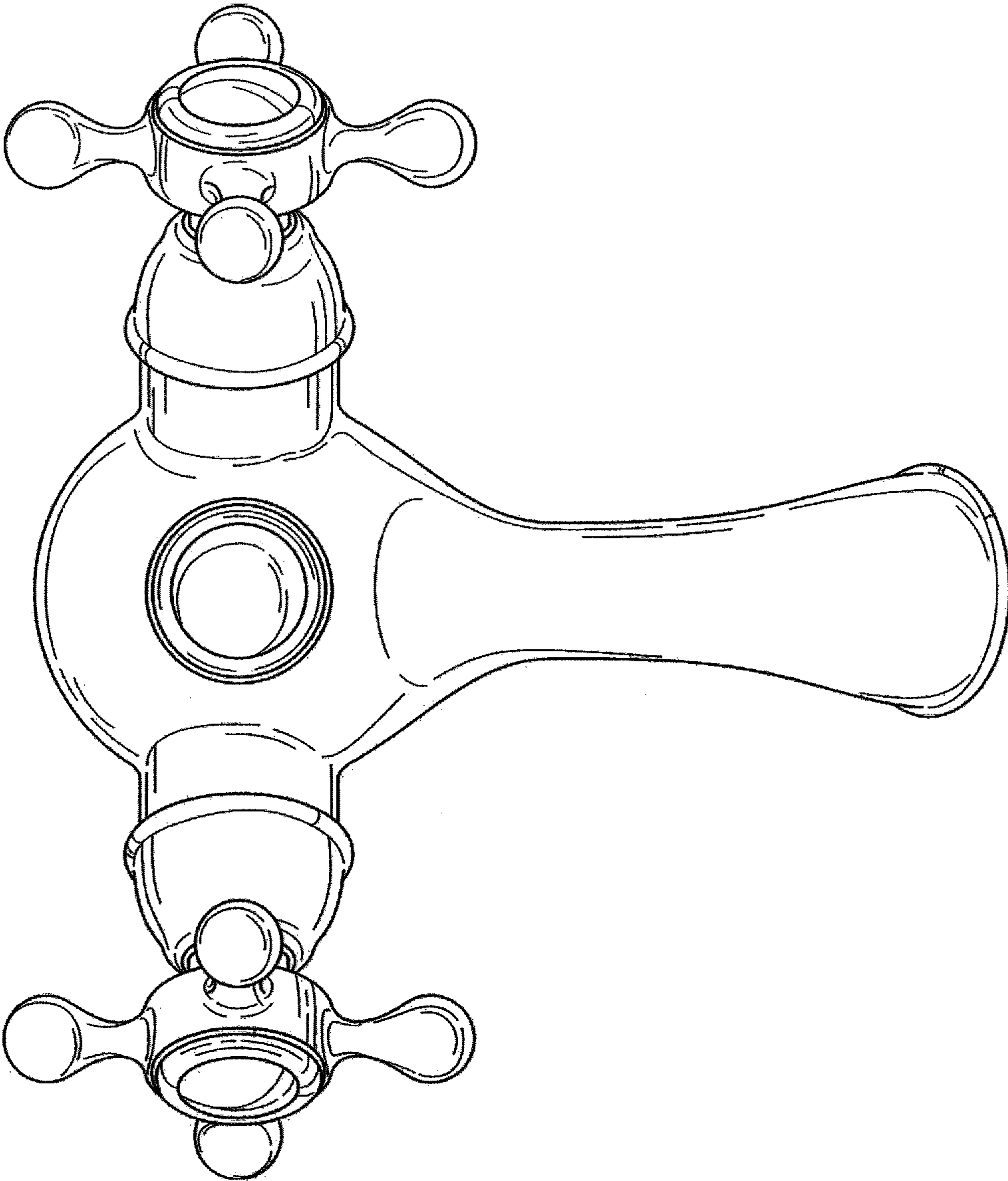


FIG. 6