



US00D654567S

(12) **United States Design Patent**  
**Yamamoto et al.**

(10) **Patent No.:** **US D654,567 S**

(45) **Date of Patent:** **\*\* Feb. 21, 2012**

(54) **SPRAYER**

(75) Inventors: **Yuji Yamamoto**, Anjo (JP); **Ryouichi Shimooka**, Numazu (JP); **Masahiko Miura**, Numazu (JP)

(73) Assignee: **Makita Corporation**, Anjo-shi (JP)

(\*\*) Term: **14 Years**

(21) Appl. No.: **29/397,436**

(22) Filed: **Jul. 15, 2011**

(30) **Foreign Application Priority Data**

Feb. 10, 2011 (JP) ..... 2011-2918

(51) **LOC (9) Cl.** ..... **23-01**

(52) **U.S. Cl.** ..... **D23/225**

(58) **Field of Classification Search** ..... D23/213,  
D23/225; 239/152-154, 302, 308, 310, 332,  
239/333, 337

See application file for complete search history.

(56) **References Cited**

**U.S. PATENT DOCUMENTS**

|           |      |        |                |       |           |
|-----------|------|--------|----------------|-------|-----------|
| D200,473  | S *  | 3/1965 | Sawyer         | ..... | D23/225   |
| 5,150,837 | A *  | 9/1992 | Ferrari        | ..... | 239/153   |
| 5,240,186 | A *  | 8/1993 | Dobbins et al. | ..... | 239/690.1 |
| 5,636,791 | A *  | 6/1997 | Leer           | ..... | 239/142   |
| 5,752,661 | A *  | 5/1998 | Lewis          | ..... | 239/153   |
| 6,688,538 | B2 * | 2/2004 | Nemoto et al.  | ..... | 239/152   |
| D623,266  | S *  | 9/2010 | Tinius         | ..... | D23/225   |
| D623,722  | S *  | 9/2010 | Tinius         | ..... | D23/225   |
| 7,866,571 | B2 * | 1/2011 | Muller et al.  | ..... | 239/154   |
| D633,984  | S *  | 3/2011 | Plantz         | ..... | D23/225   |

**FOREIGN PATENT DOCUMENTS**

JP D1272106 S 5/2006

\* cited by examiner

*Primary Examiner* — Robin V Webster

(74) *Attorney, Agent, or Firm* — Global IP Counselors, LLP

(57) **CLAIM**

The ornamental design for a sprayer, as shown and described.

**DESCRIPTION**

FIG. 1 is a top, front and right side perspective view of a sprayer in accordance with our new design;

FIG. 2 is a top, front and left side perspective view of the sprayer in accordance with our new design;

FIG. 3 is a top, rear and right side perspective view of the sprayer in accordance with our new design;

FIG. 4 is a front elevational view of the sprayer in accordance with our new design;

FIG. 5 is a rear elevational view of the sprayer in accordance with our new design;

FIG. 6 is a top plan view of the sprayer in accordance with our new design;

FIG. 7 is a bottom plan view of the sprayer in accordance with our new design;

FIG. 8 is a right side elevational view of the sprayer in accordance with our new design;

FIG. 9 is a left side elevational view of the sprayer in accordance with our new design;

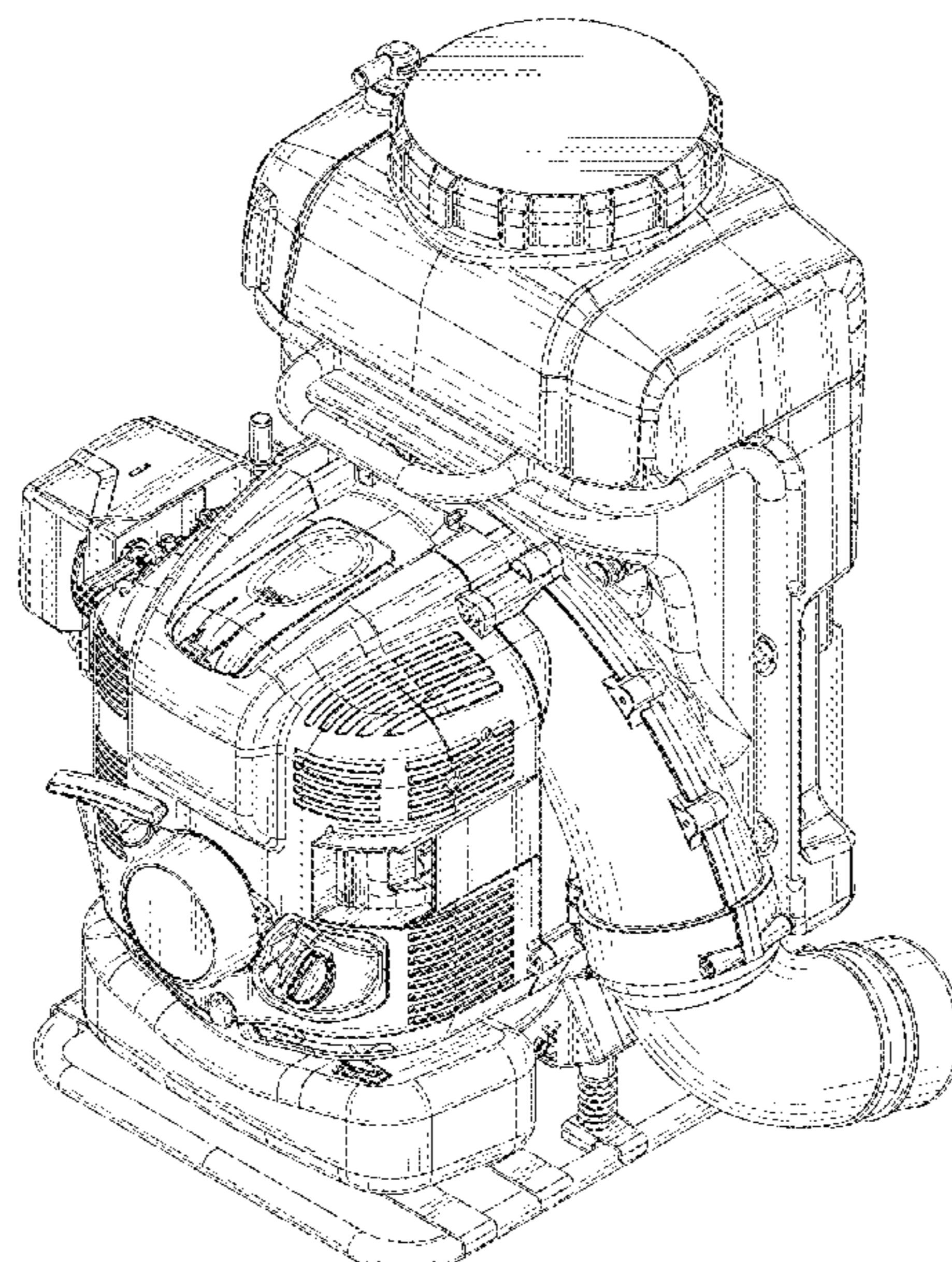
FIG. 10 is a top, front and right side perspective view of the sprayer in accordance with our new design illustrating a state in which attachments are attached the sprayer;

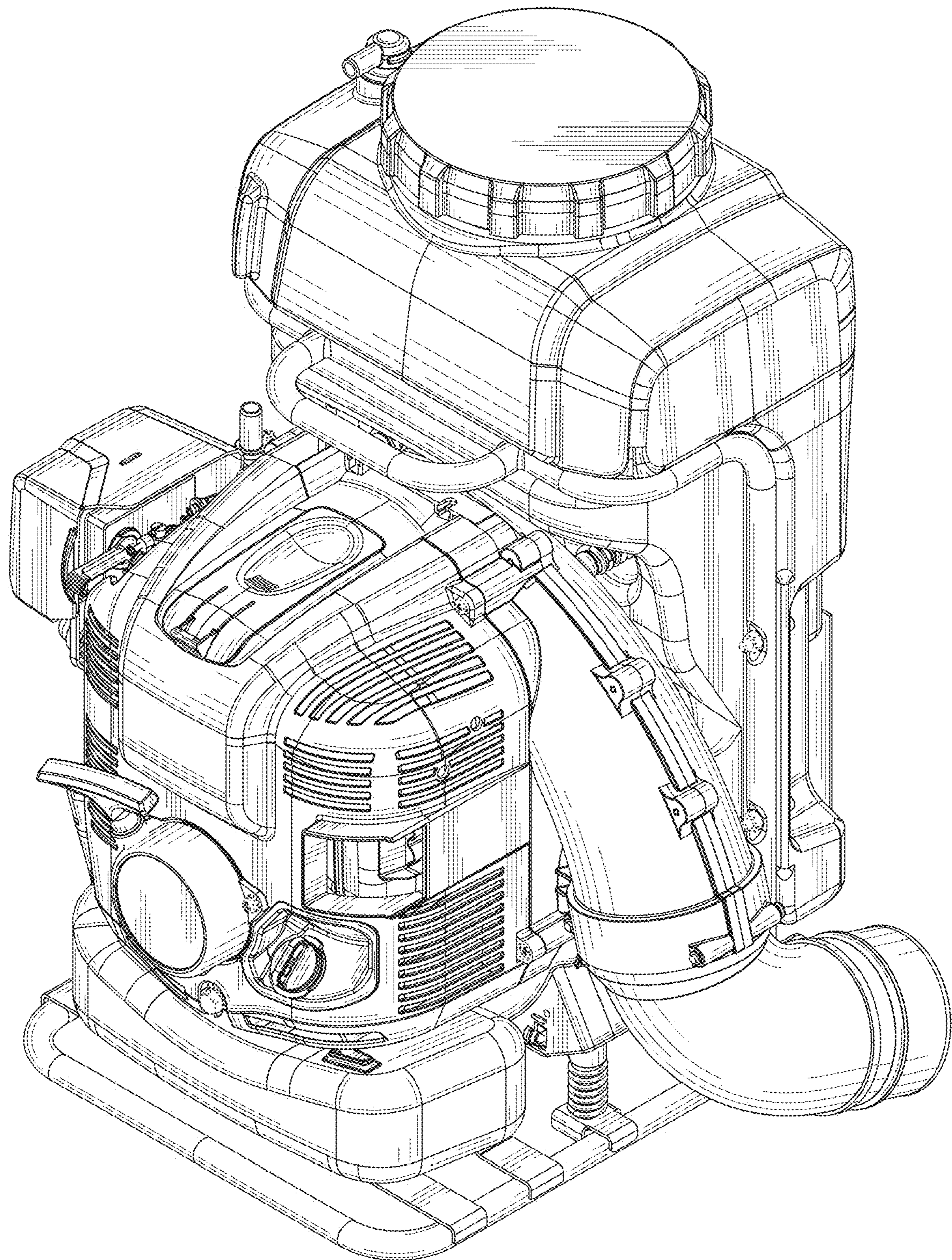
FIG. 11 is a top, front and left side perspective view of the sprayer in accordance with our new design illustrating a state in which the attachments are attached the sprayer; and,

FIG. 12 is a top, rear and right side perspective view of the sprayer in accordance with our new design illustrating a state in which the attachments are attached the sprayer.

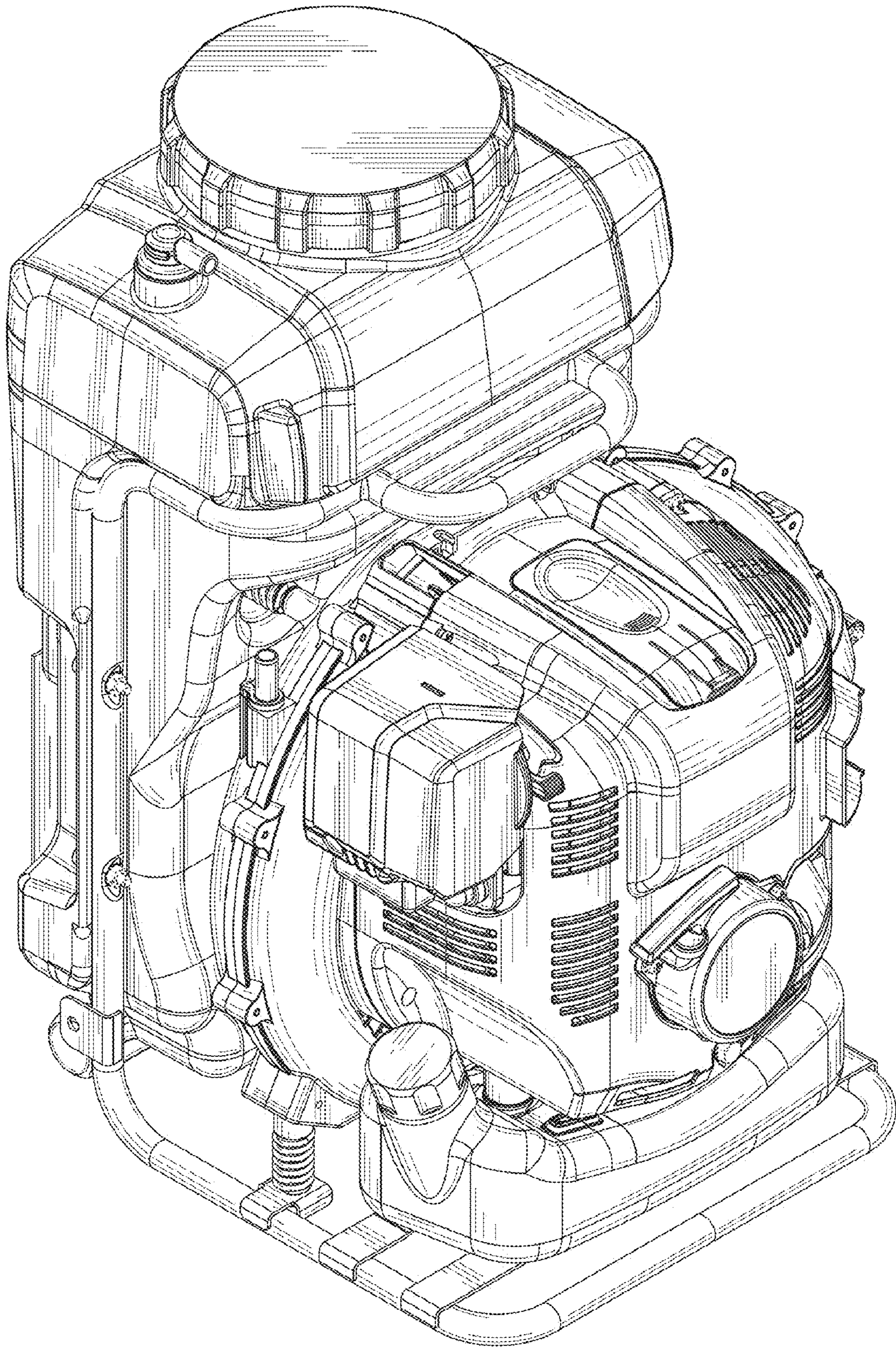
The broken line showing of environment in FIGS. 1-12 is for illustrative purposes only and forms no part of the claimed design.

**1 Claim, 12 Drawing Sheets**

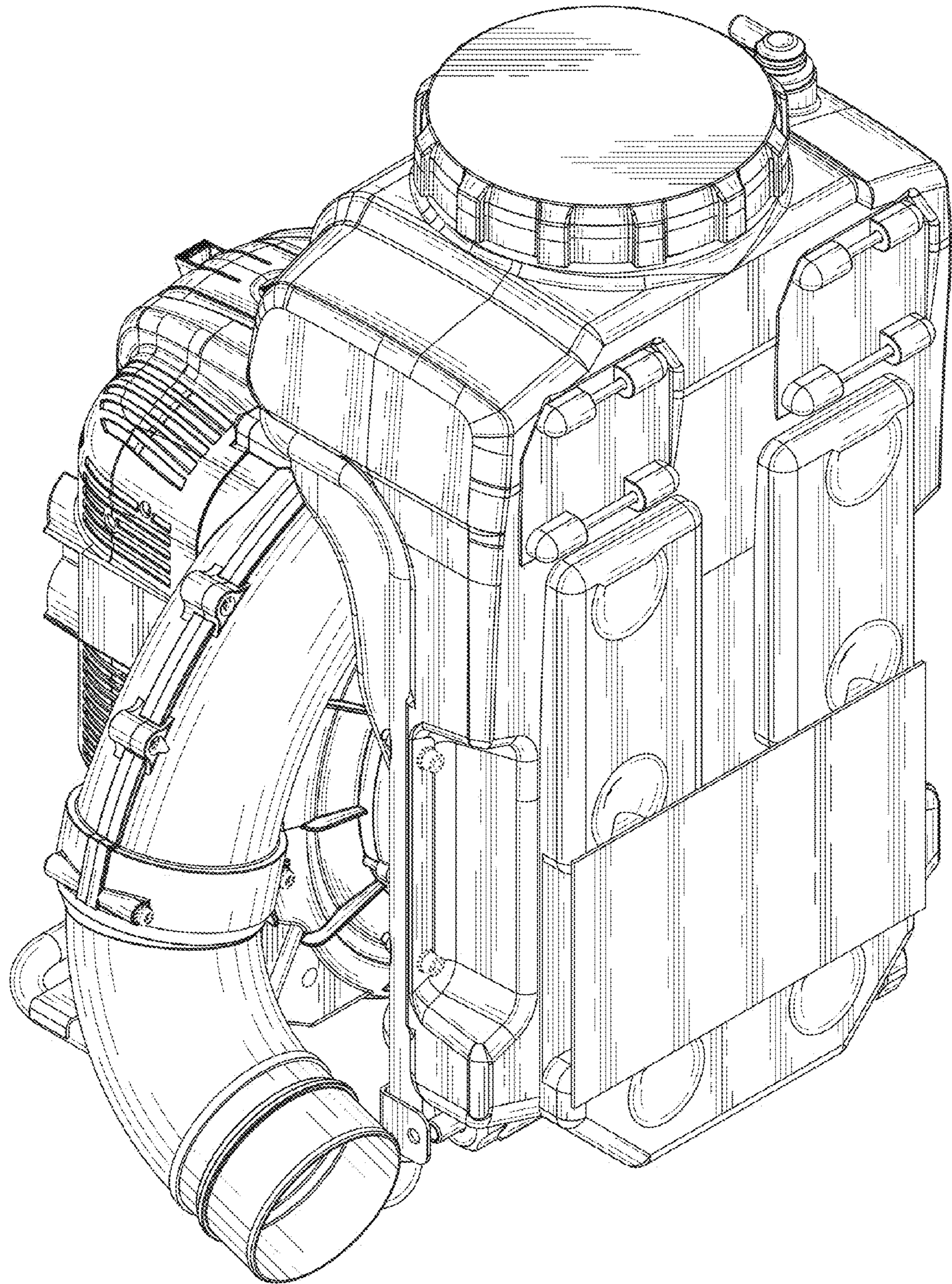




**FIG. 1**



**FIG. 2**



**FIG. 3**

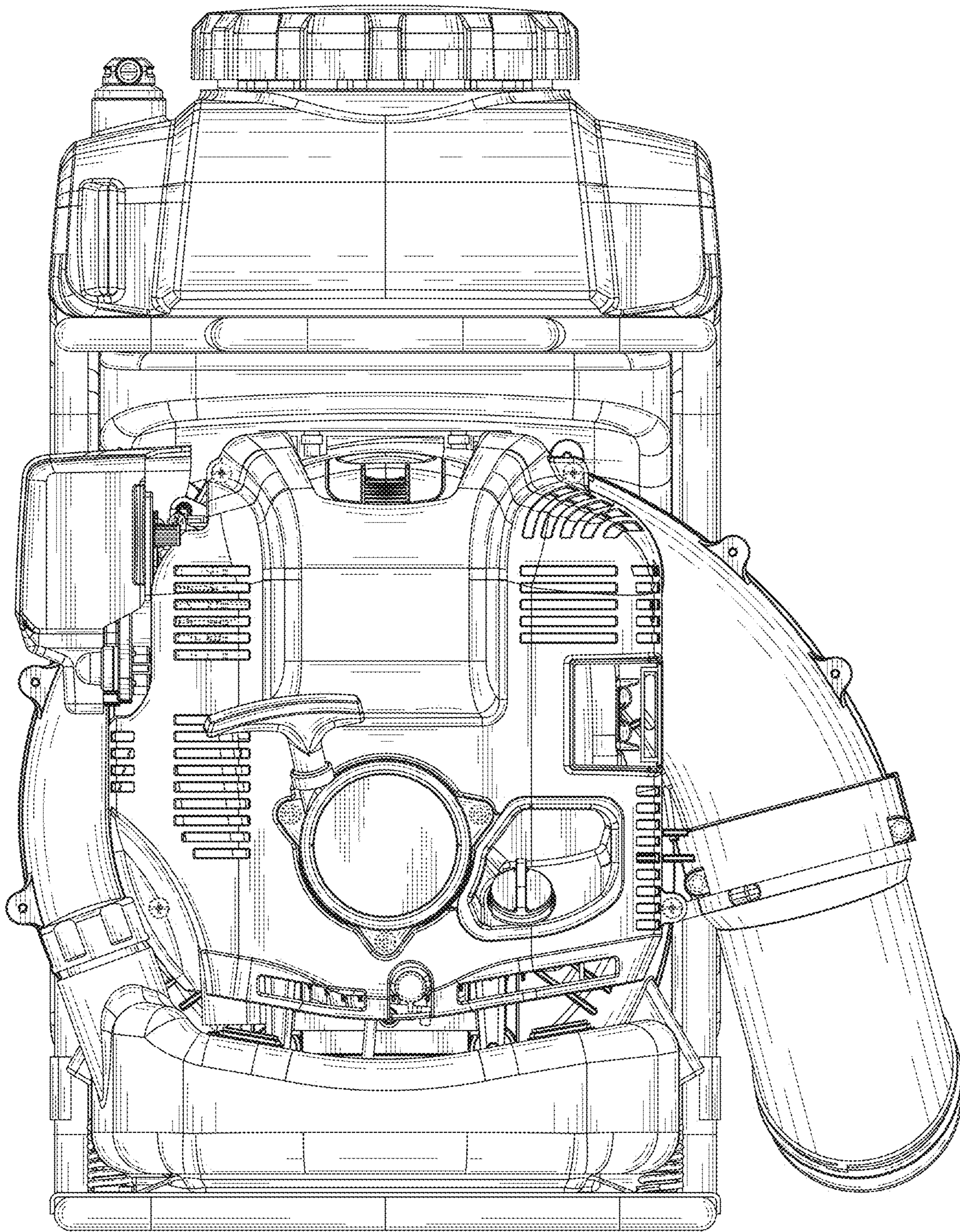


FIG. 4

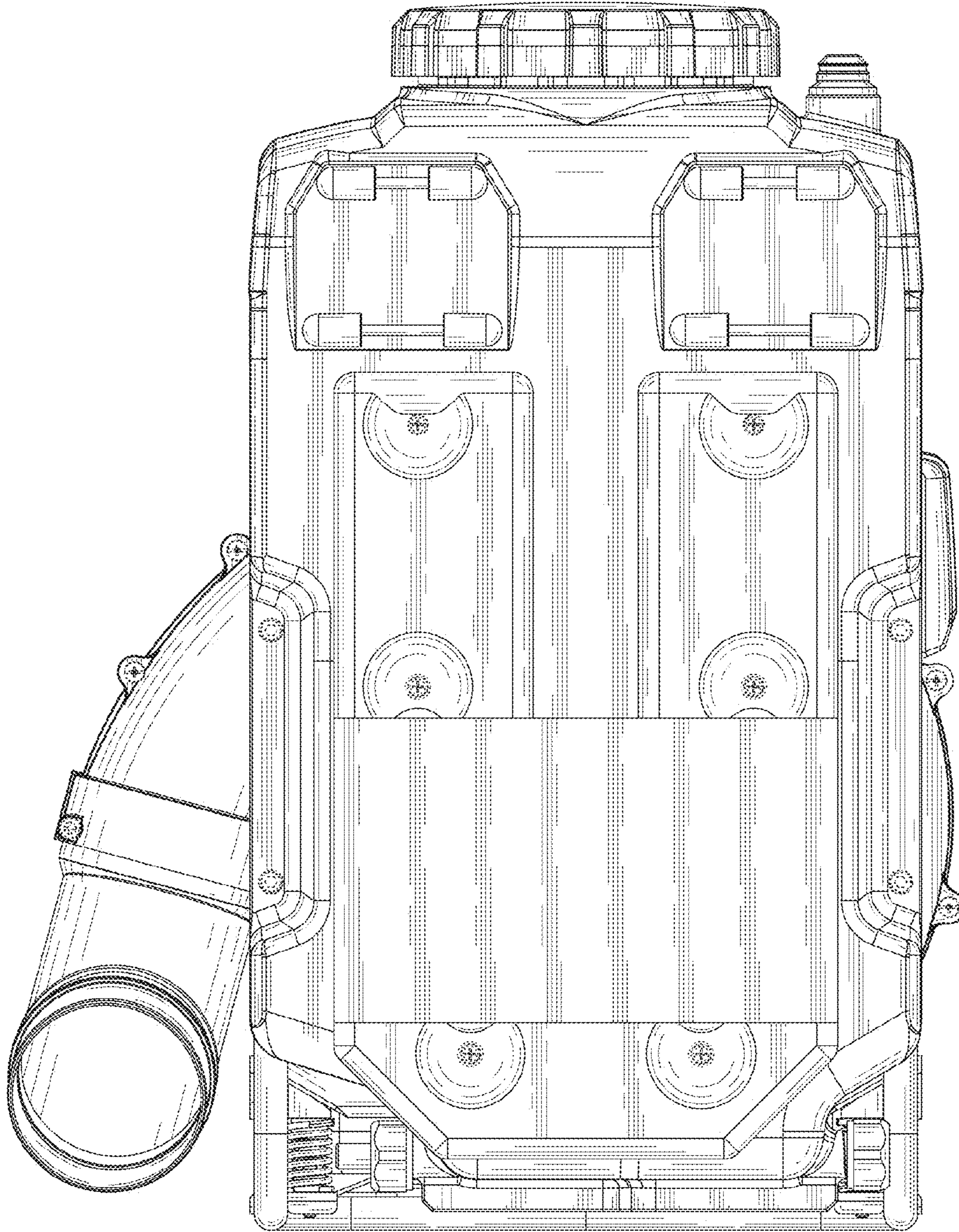


FIG. 5

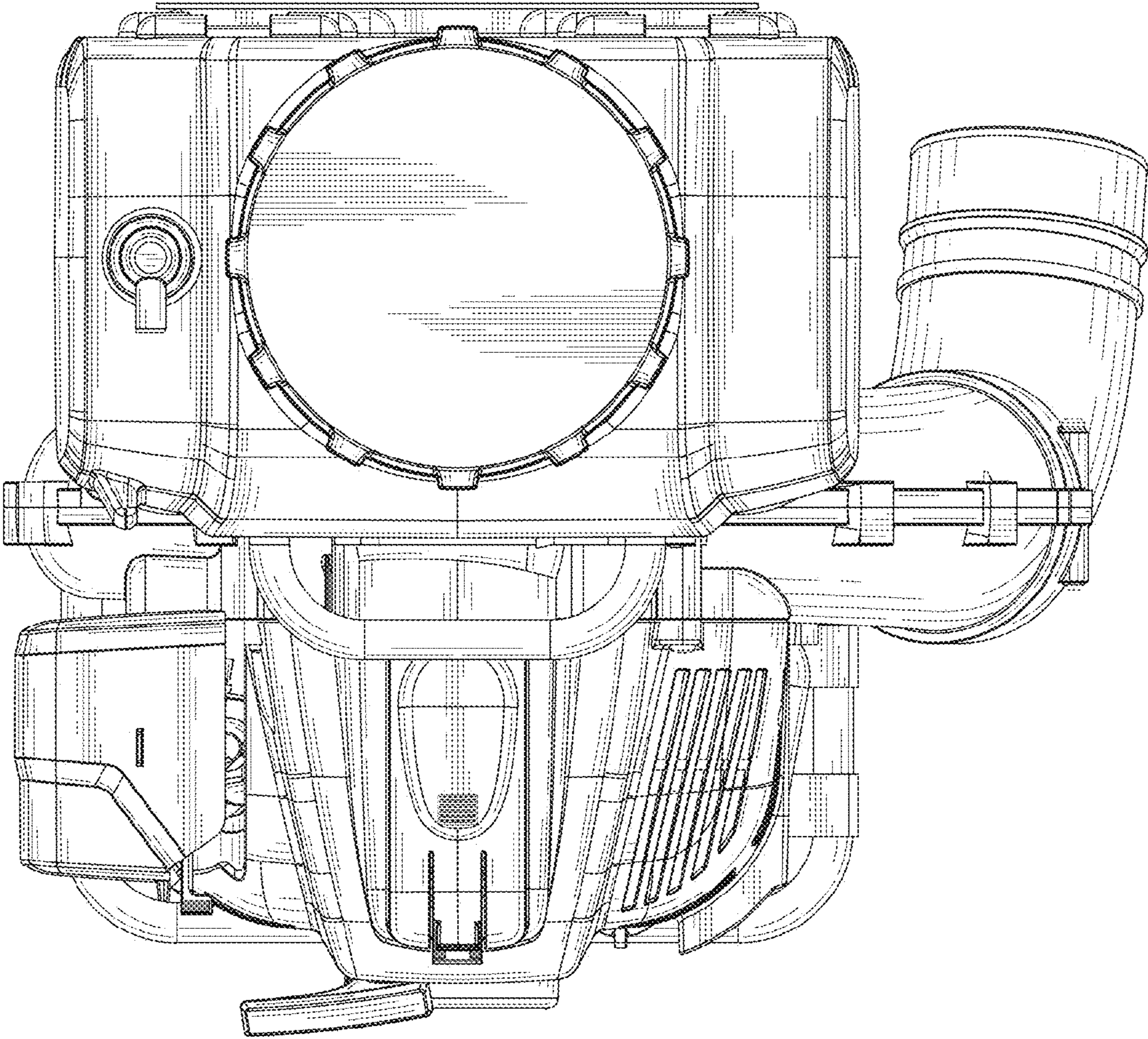
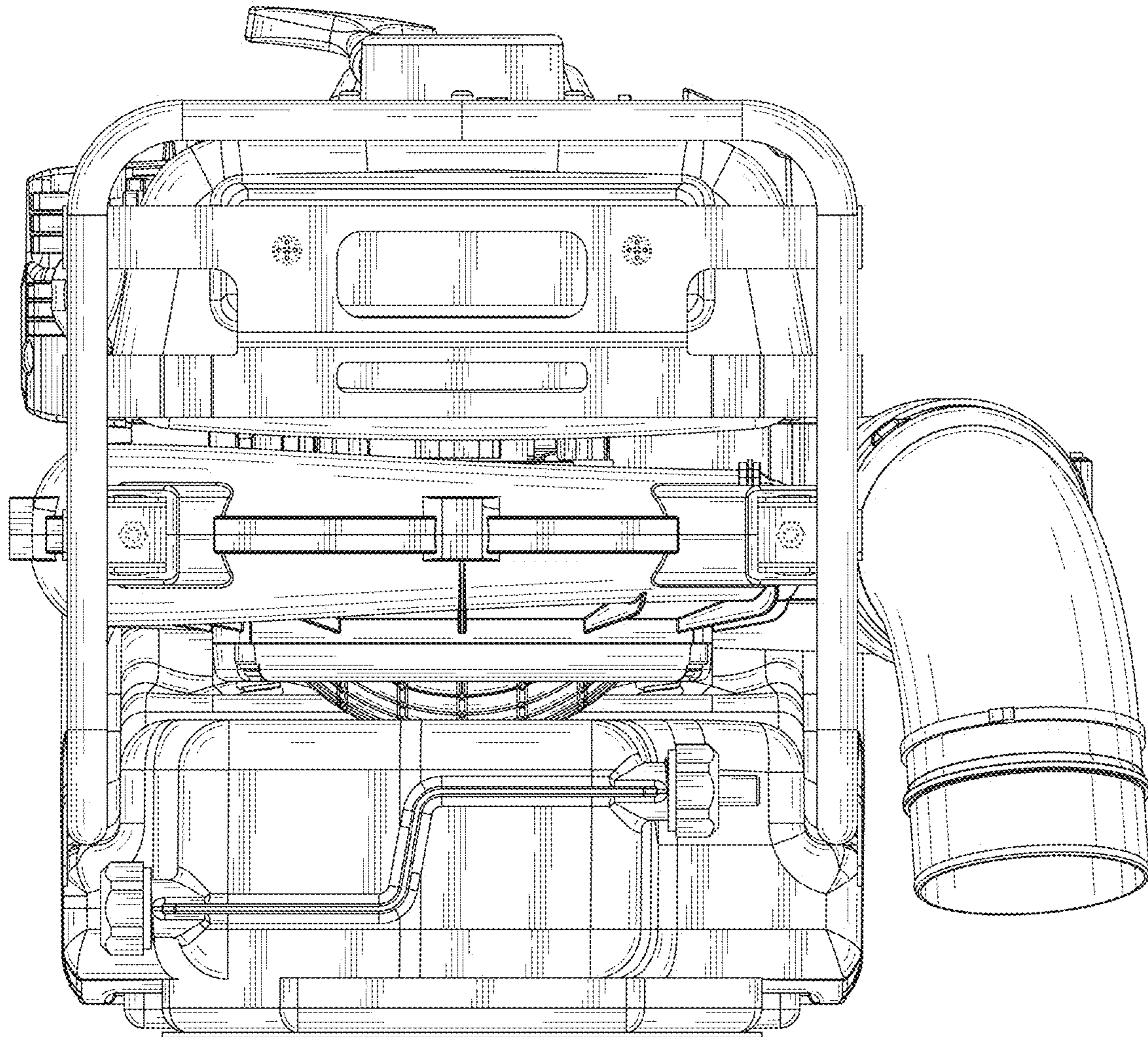
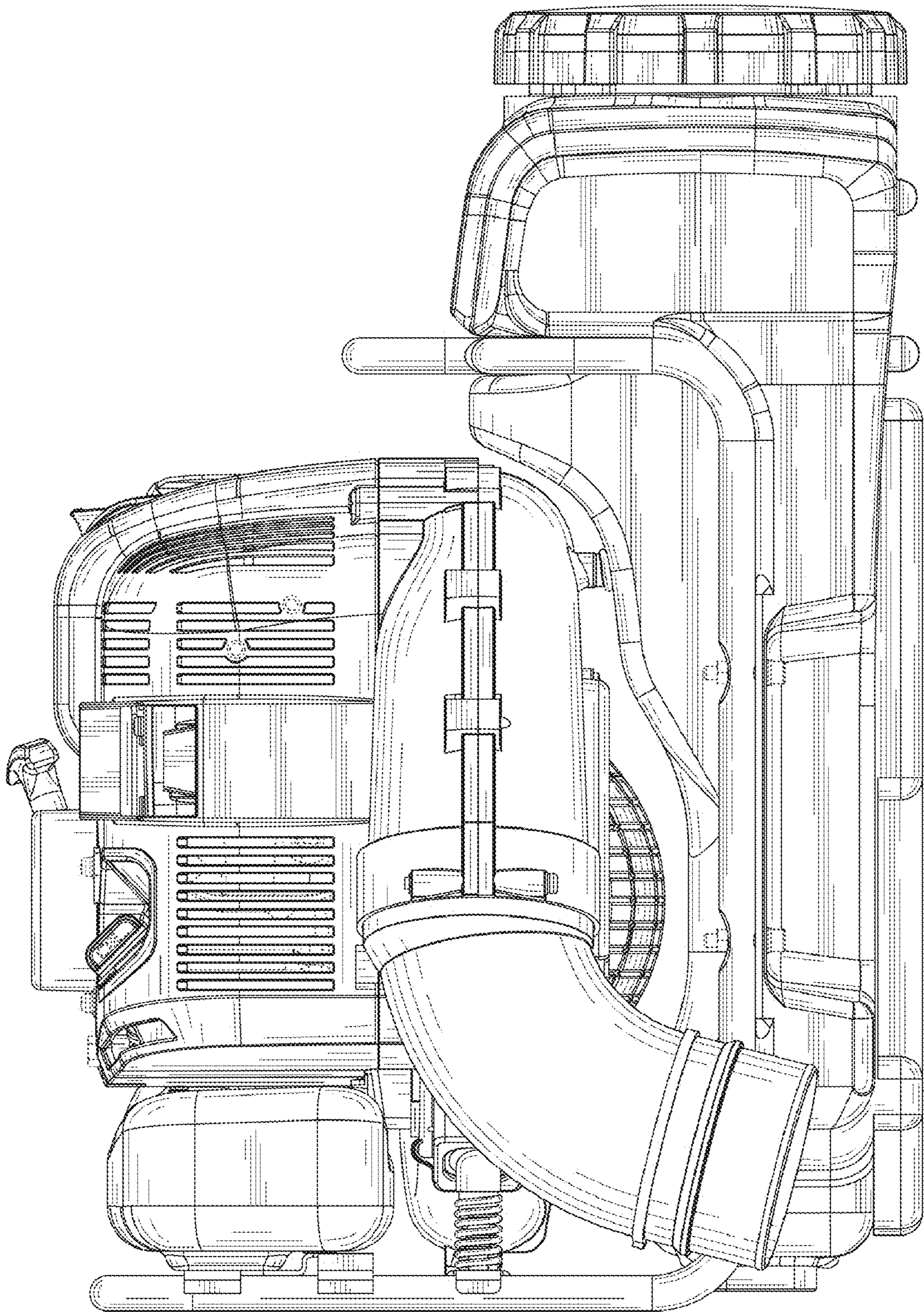


FIG. 6

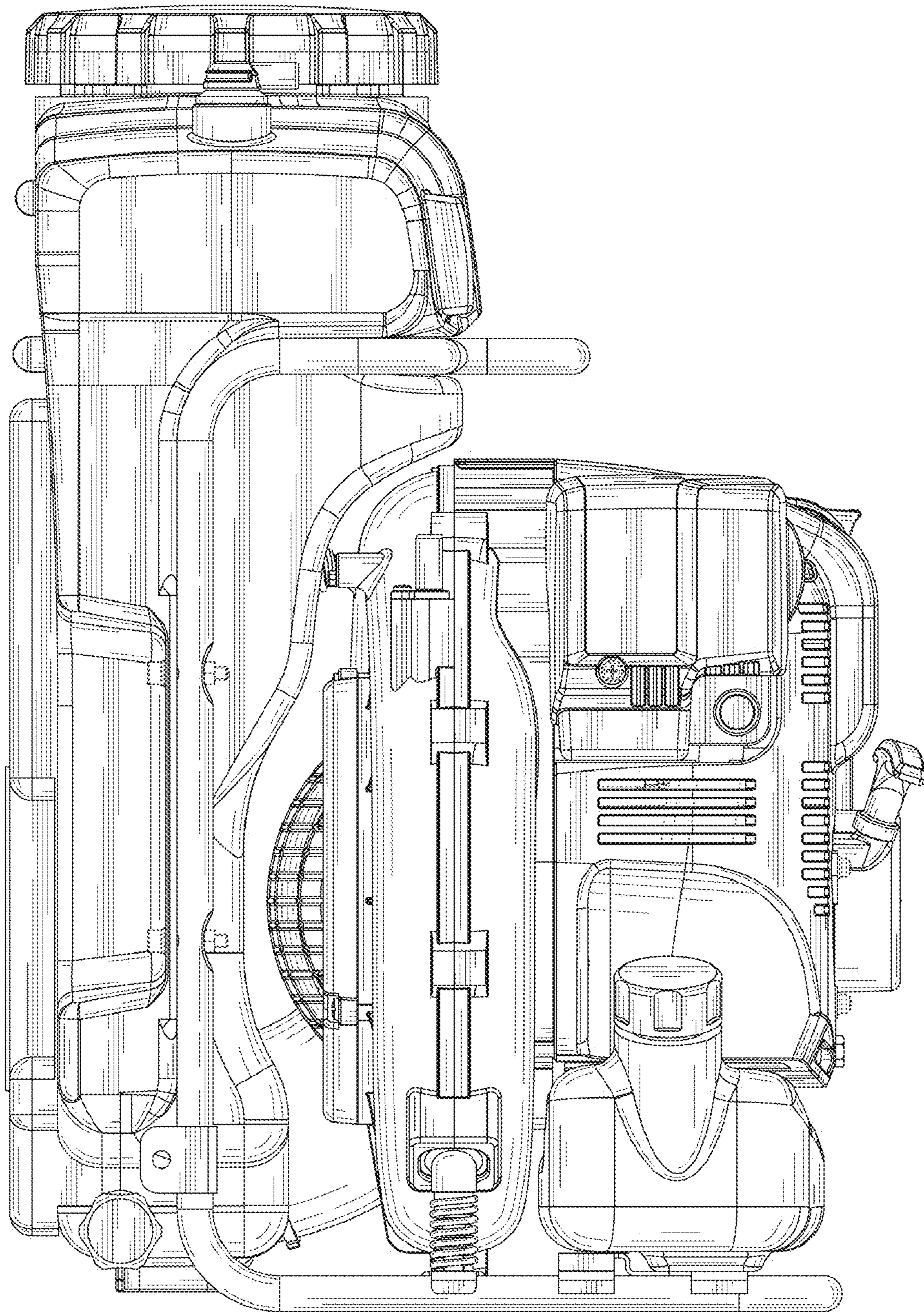


**FIG. 7**





**FIG. 8**



**FIG. 9**

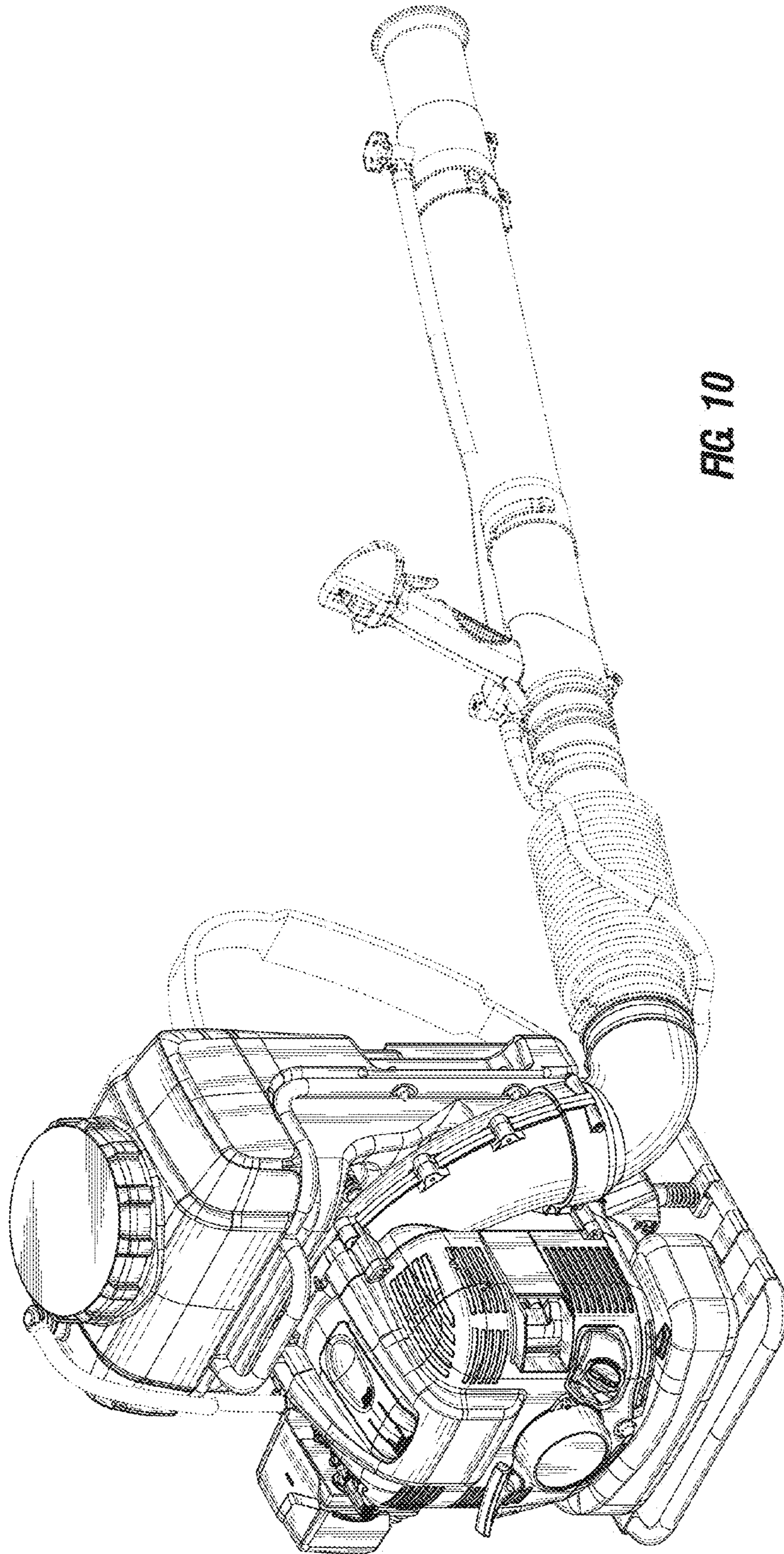


FIG 10

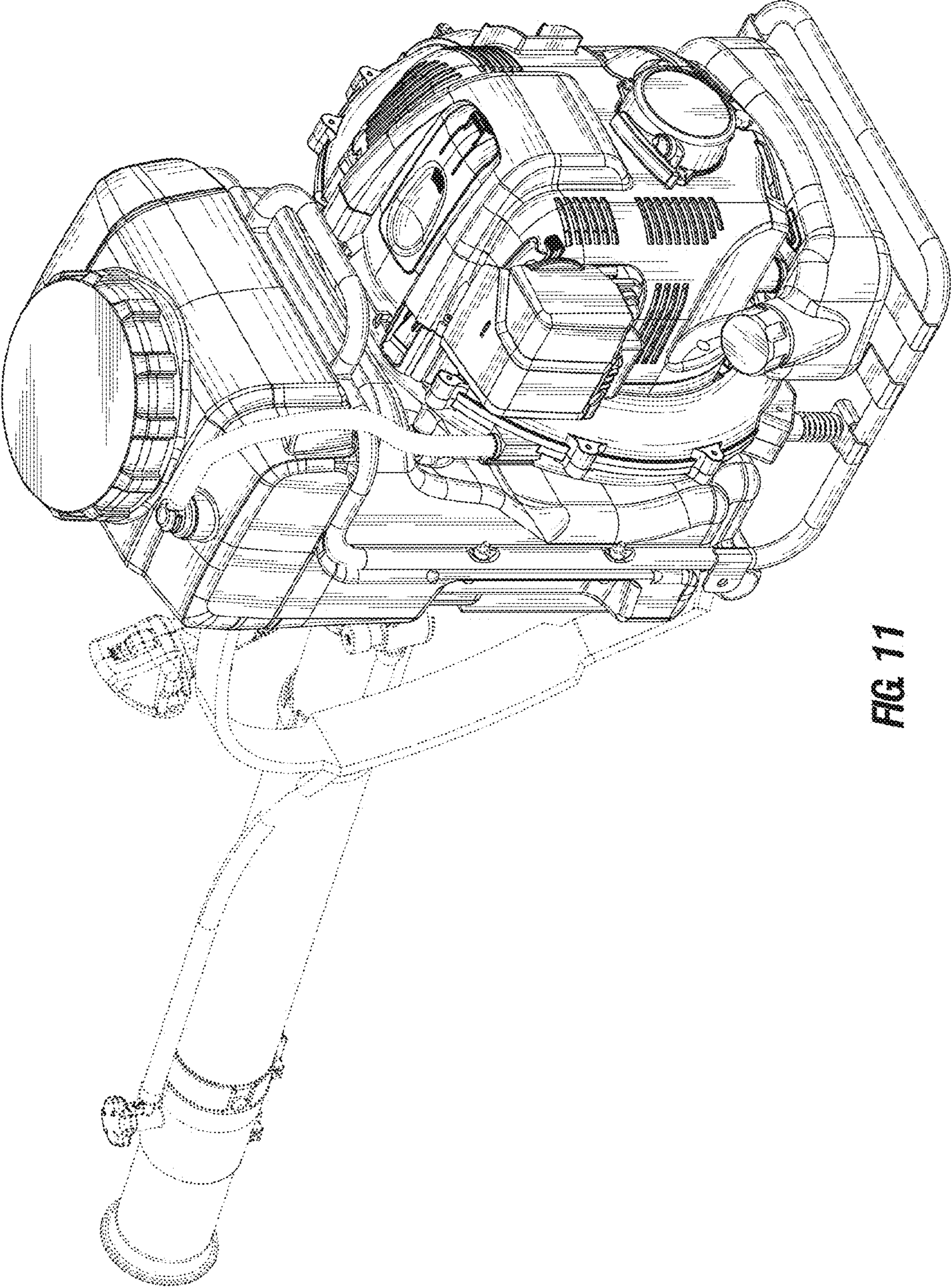
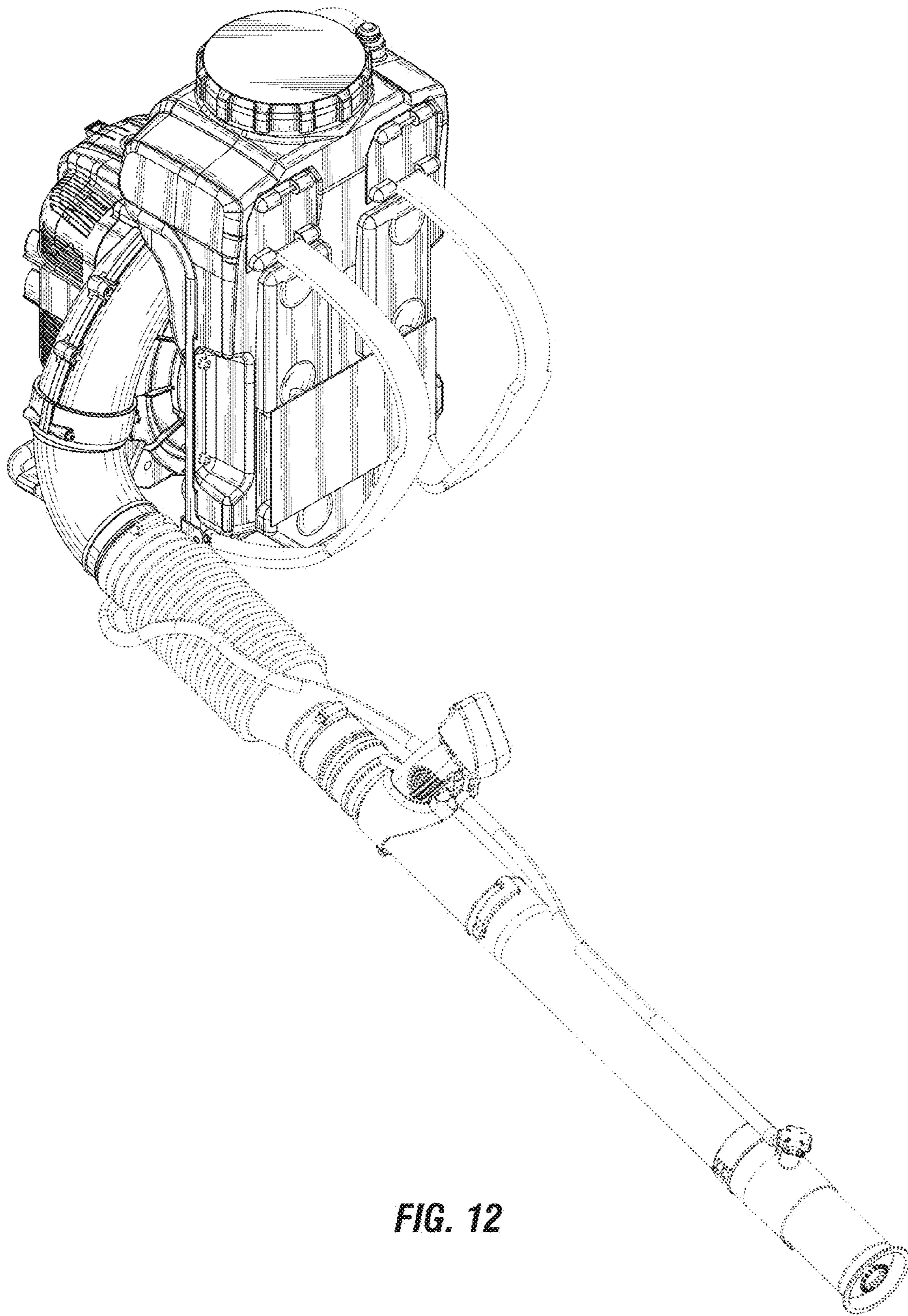


FIG 11



**FIG. 12**