



US00D654558S

(12) **United States Design Patent**
Zeng

(10) **Patent No.:** **US D654,558 S**
(45) **Date of Patent:** **** Feb. 21, 2012**

(54) **UV STABILIZER**

(75) Inventor: **Weiyang Zeng**, Guangdong (CN)

(73) Assignee: **Shenzhen Lenyo Aquatics Co., Ltd.**,
Shenzhen (CN)

(**) Term: **14 Years**

(21) Appl. No.: **29/397,642**

(22) Filed: **Jul. 19, 2011**

(30) **Foreign Application Priority Data**

Jan. 30, 2011 (CN) 2011 3 0019825

(51) **LOC (9) Cl.** **23-01**

(52) **U.S. Cl.** **D23/209; D23/208**

(58) **Field of Classification Search** D23/207-209,
D23/210; 210/192; 250/435, 436; 422/186.3
See application file for complete search history.

(56) **References Cited**

U.S. PATENT DOCUMENTS

D350,181	S *	8/1994	MacNeal	D23/207
D351,893	S *	10/1994	Whitesel	D23/207
5,622,622	A *	4/1997	Johnson	210/192
6,099,799	A *	8/2000	Anderson	210/748.11
D454,614	S *	3/2002	Marston	D23/207
6,583,422	B2 *	6/2003	Boehme	250/432 R

6,657,205	B1 *	12/2003	Wong	250/438
6,683,313	B2 *	1/2004	Chen et al.	250/455.11
7,241,380	B2 *	7/2007	Reiling	210/170.08
D561,300	S *	2/2008	Baba	D23/209
7,550,089	B2 *	6/2009	Kuhlmann et al.	210/748.11

* cited by examiner

Primary Examiner — Robin V Webster

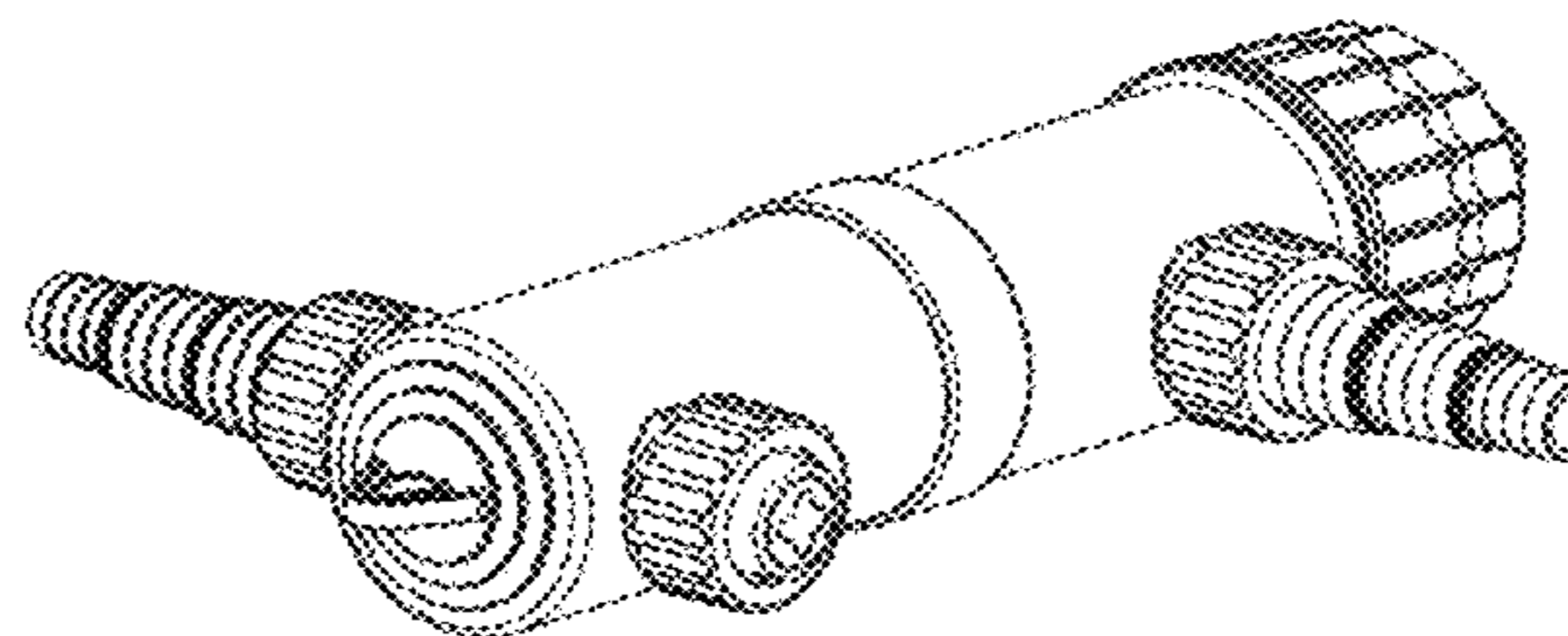
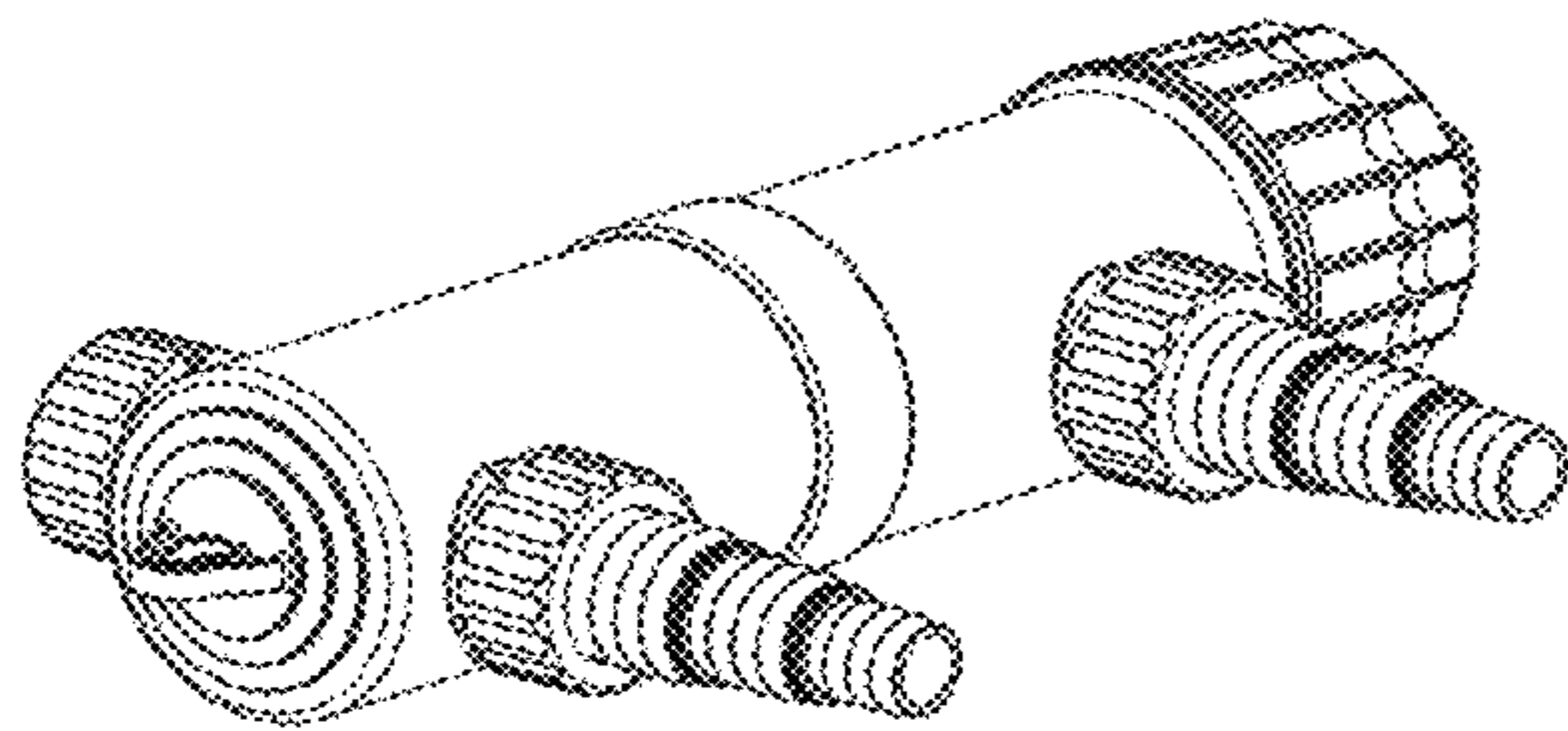
(57) **CLAIM**

The ornamental design for a UV stabilizer, as shown and described.

DESCRIPTION

FIG. 1 is a perspective view of a UV stabilizer showing my new design;
 FIG. 2 is a front view thereof;
 FIG. 3 is a rear view thereof;
 FIG. 4 is a left end view thereof;
 FIG. 5 is a right end view thereof;
 FIG. 6 is a bottom view thereof;
 FIG. 7 is a top view thereof;
 FIG. 8 is a second embodiment of a UV stabilizer;
 FIG. 9 is a front view thereof;
 FIG. 10 is a rear view thereof;
 FIG. 11 is a left end view thereof;
 FIG. 12 is a right end view thereof;
 FIG. 13 is a bottom view thereof; and,
 FIG. 14 is a top view thereof.

1 Claim, 6 Drawing Sheets



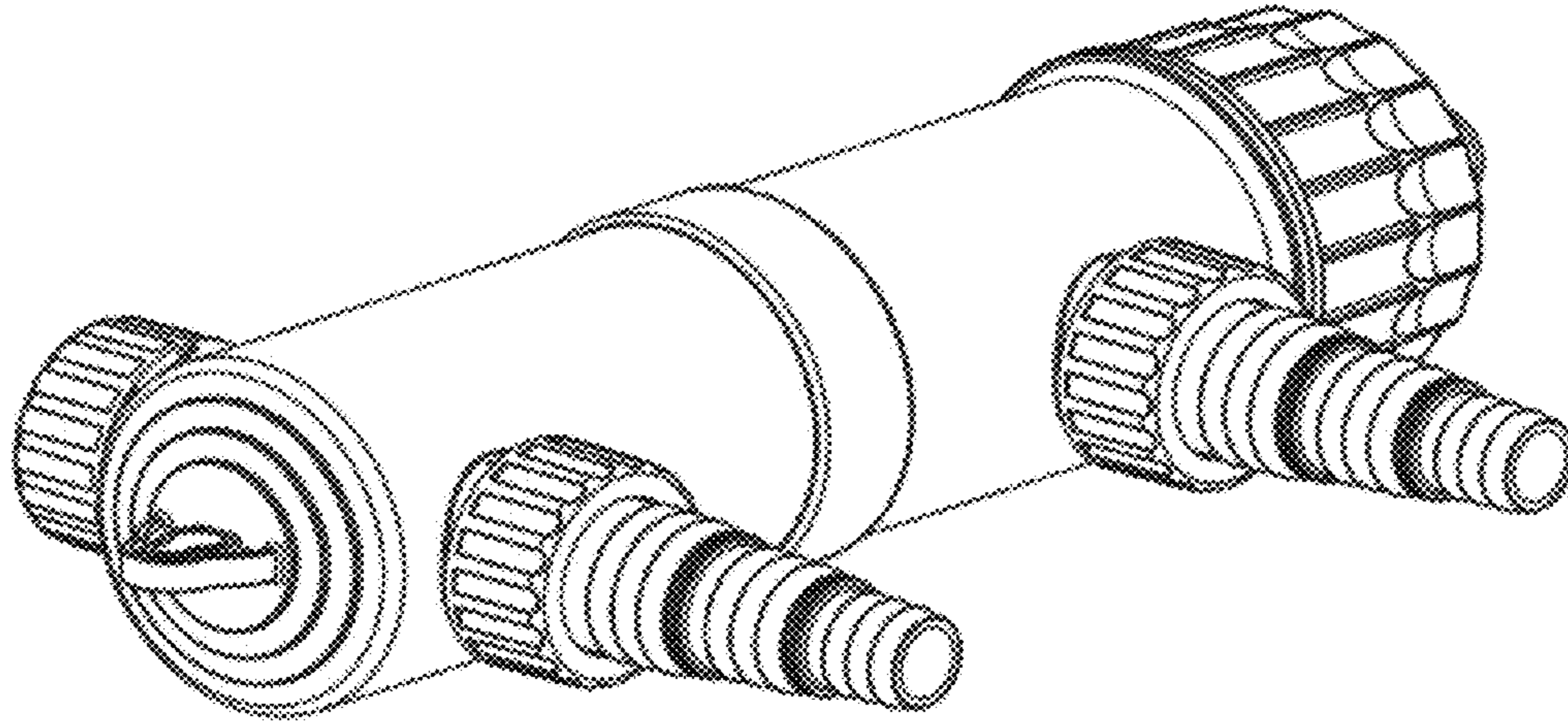


Fig. 1

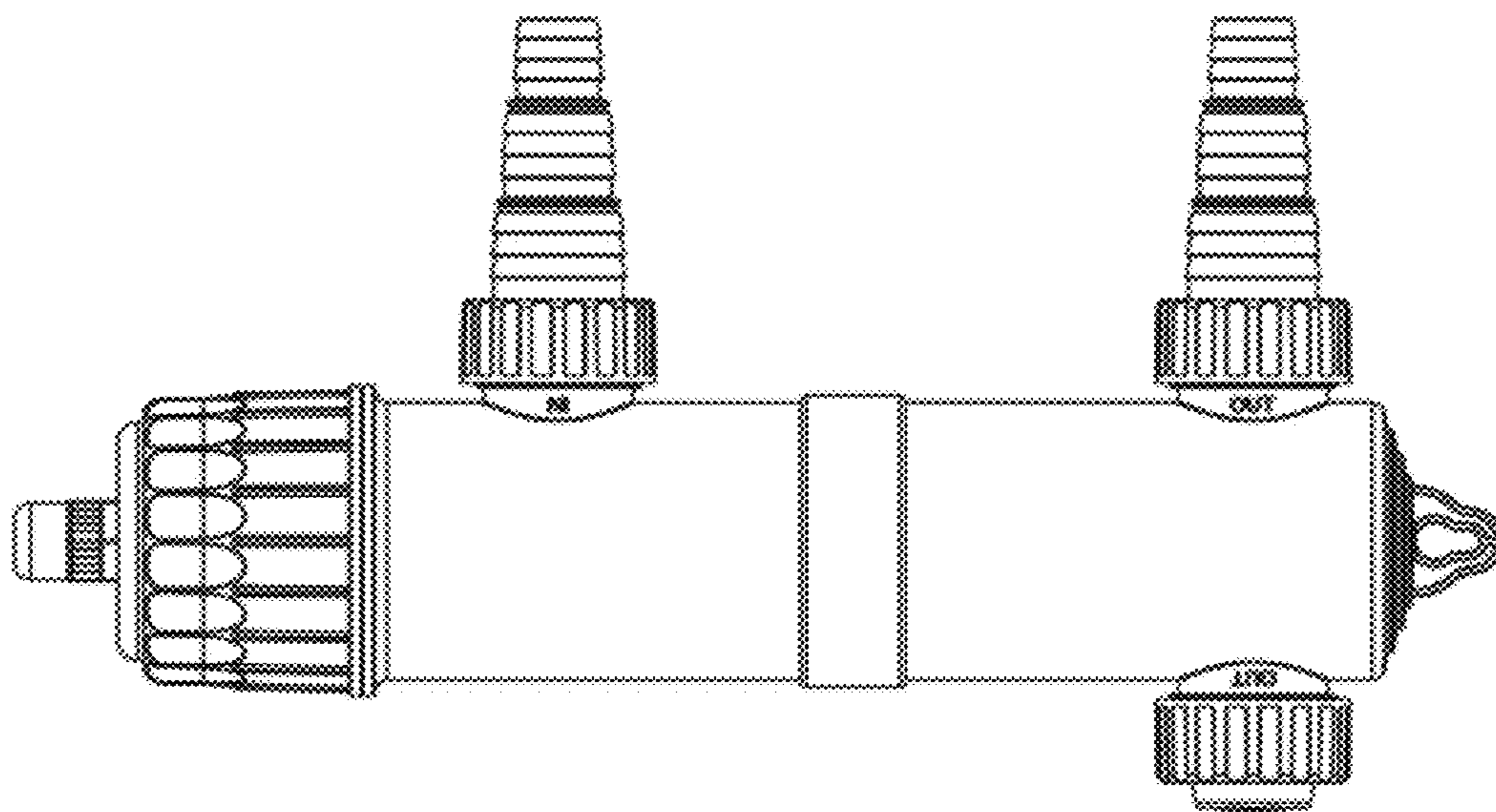


Fig. 2

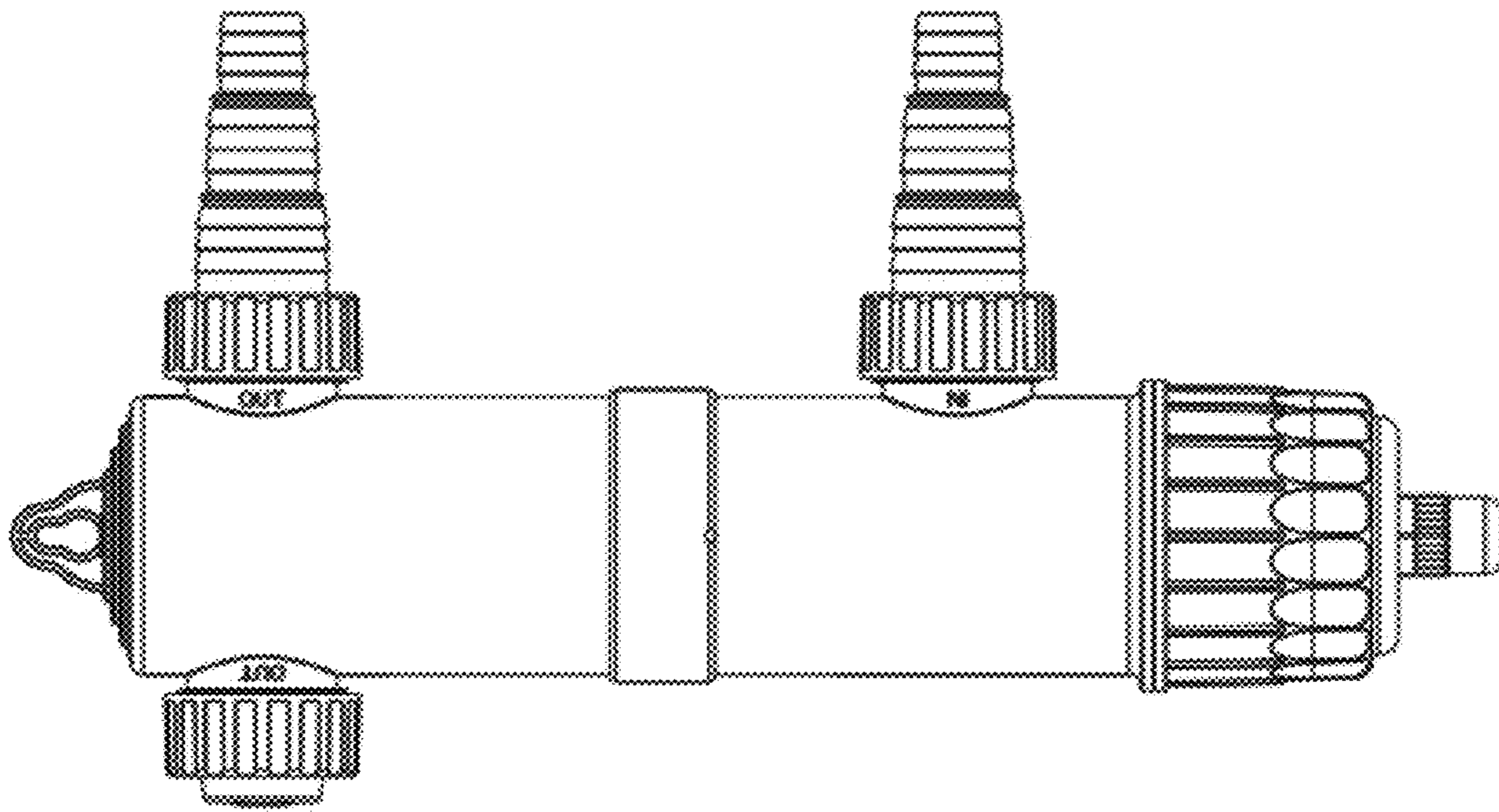


Fig. 3

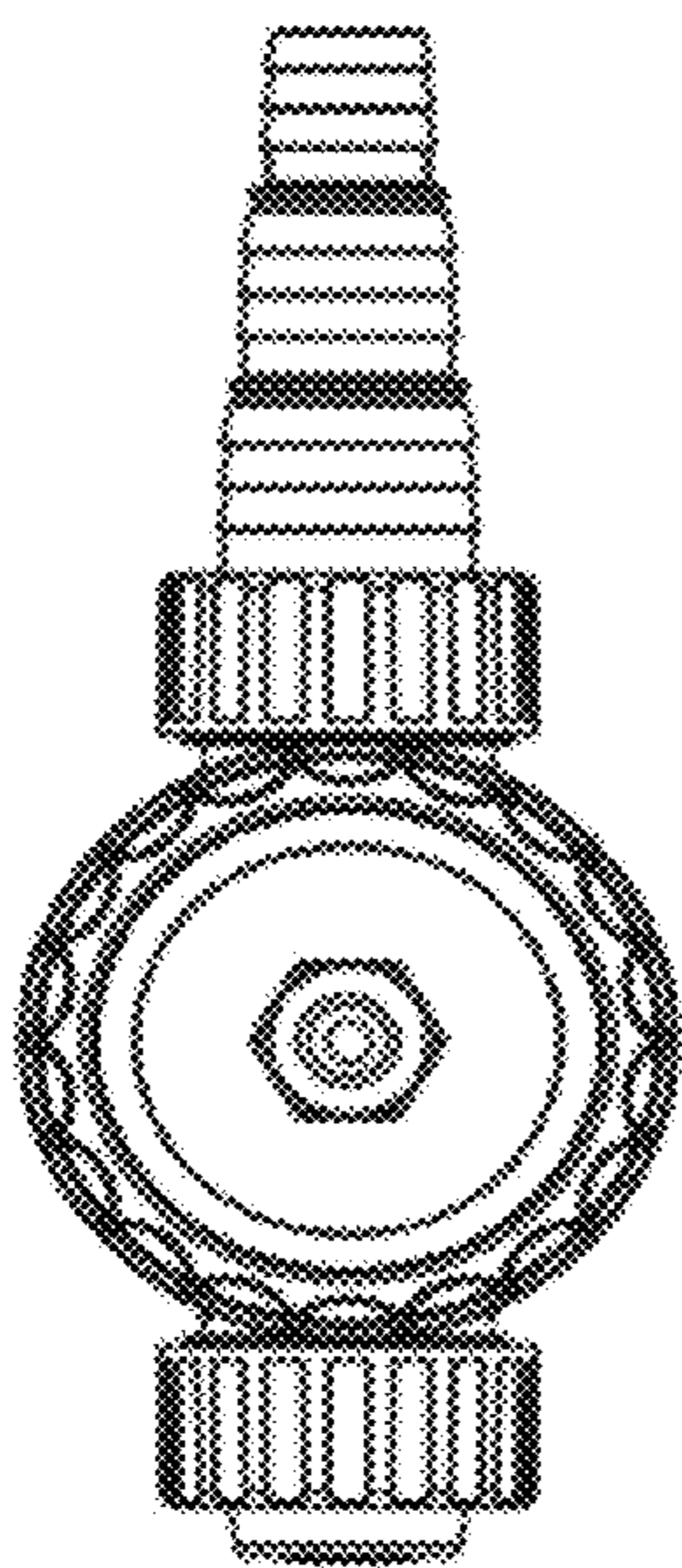


Fig. 4

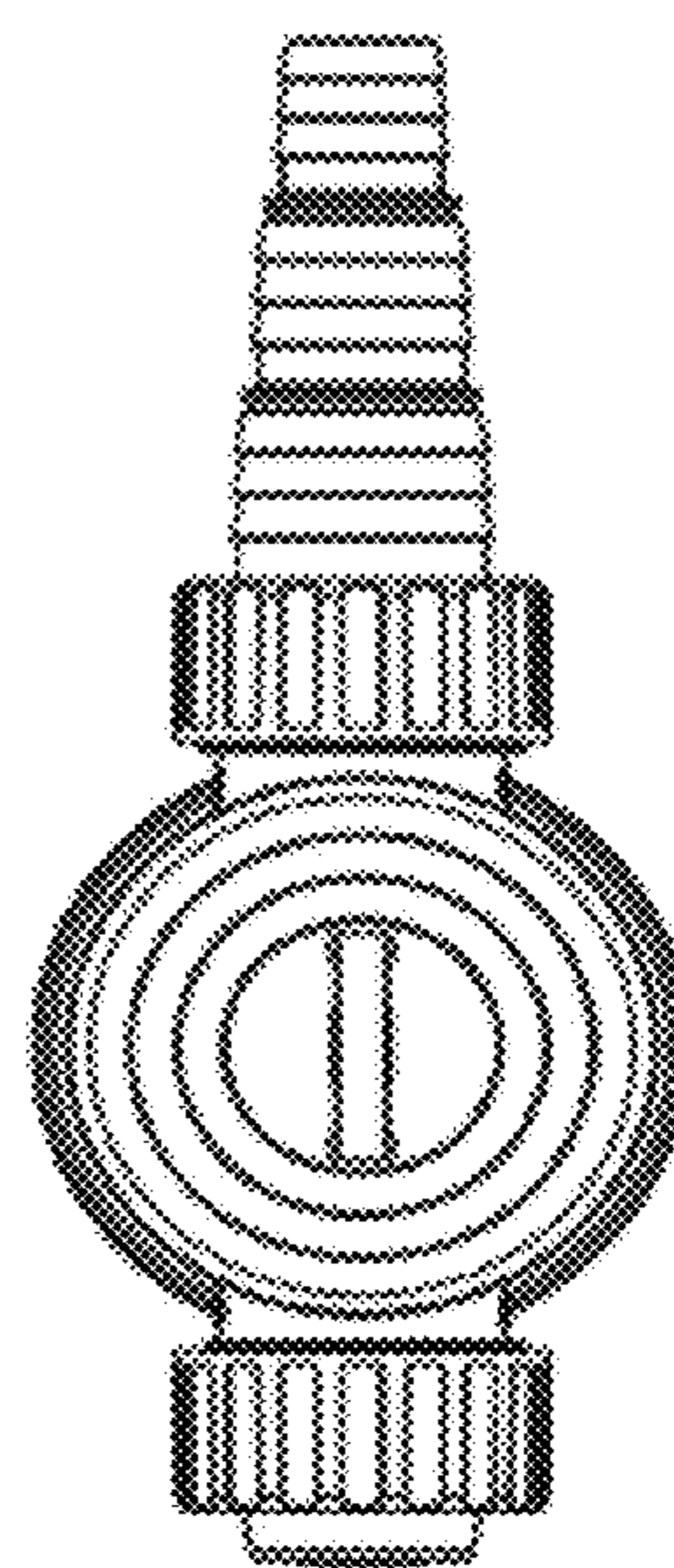


Fig. 5

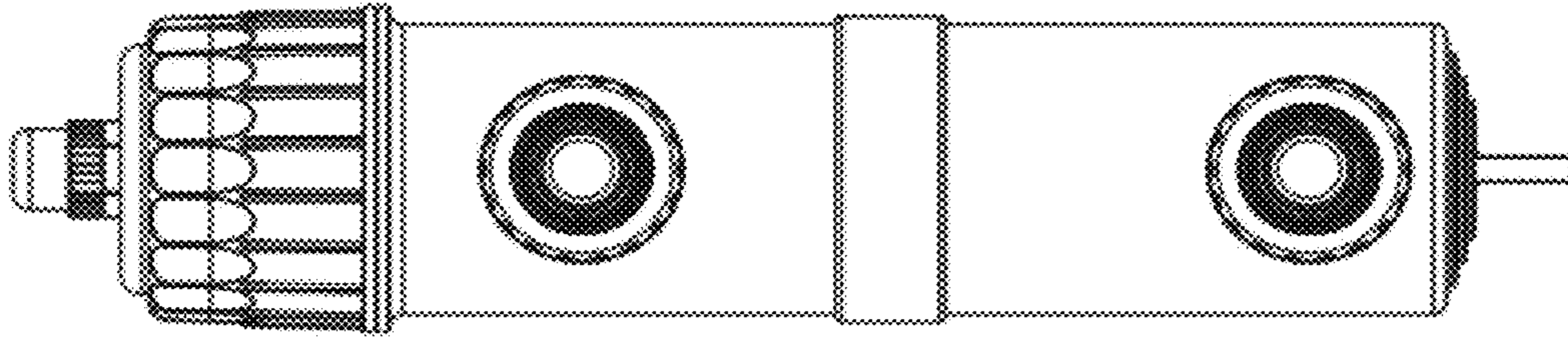


Fig. 6

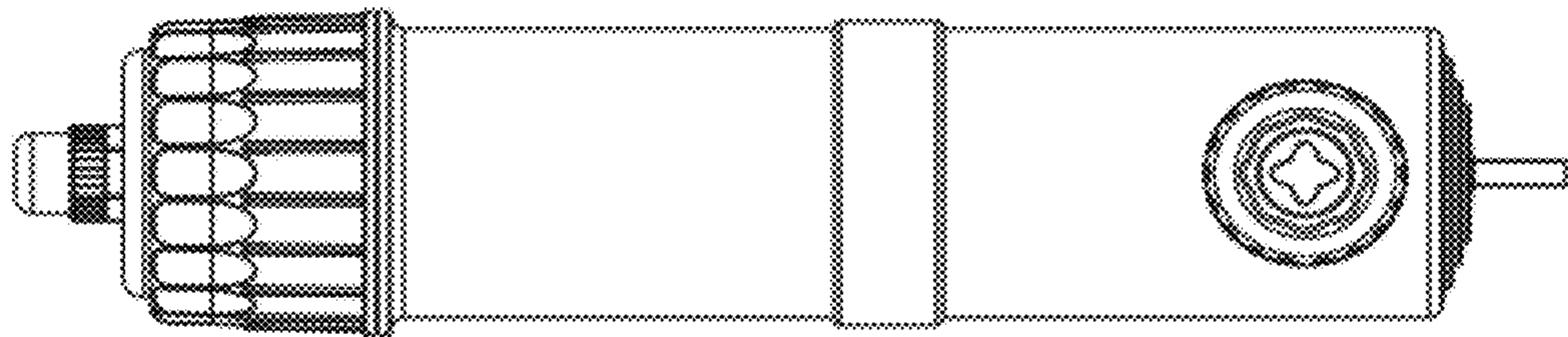


Fig. 7

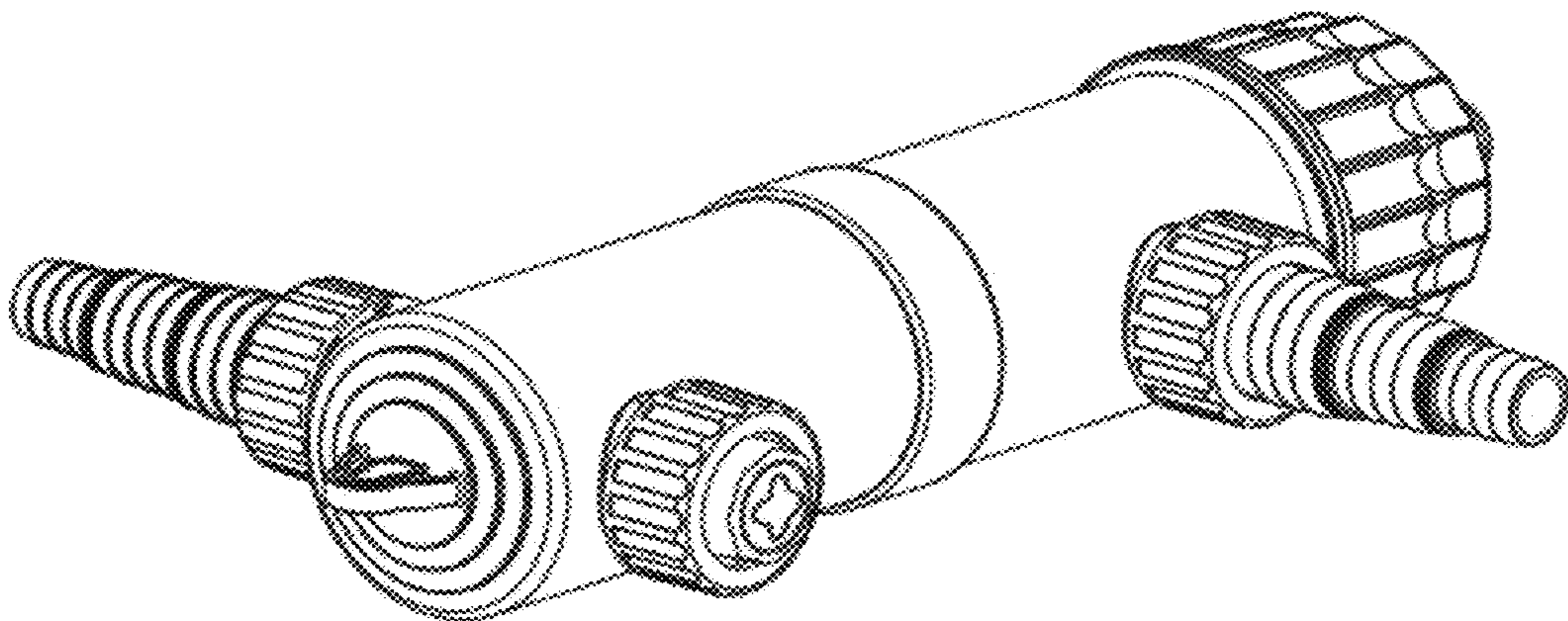


Fig. 8

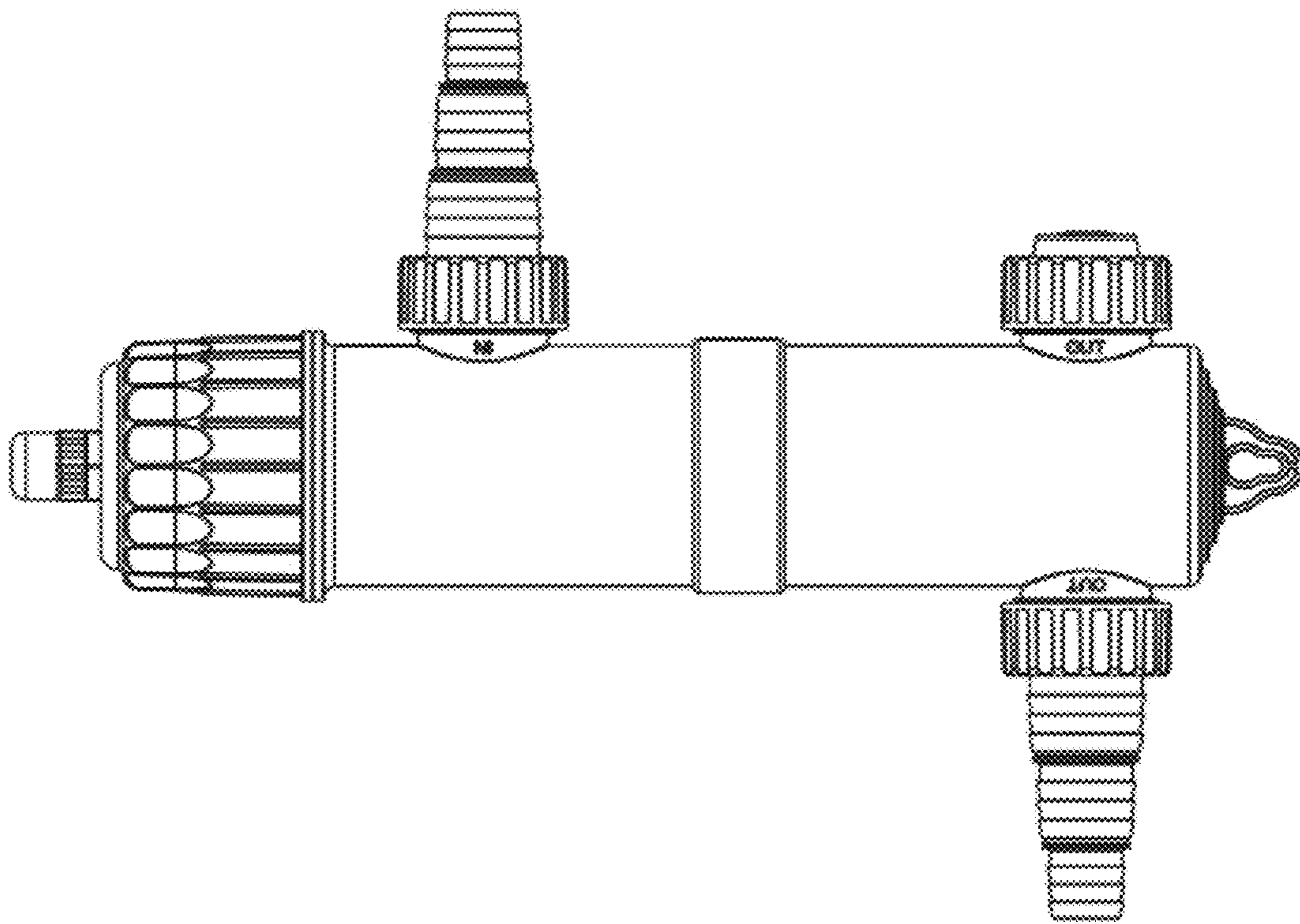


Fig. 9

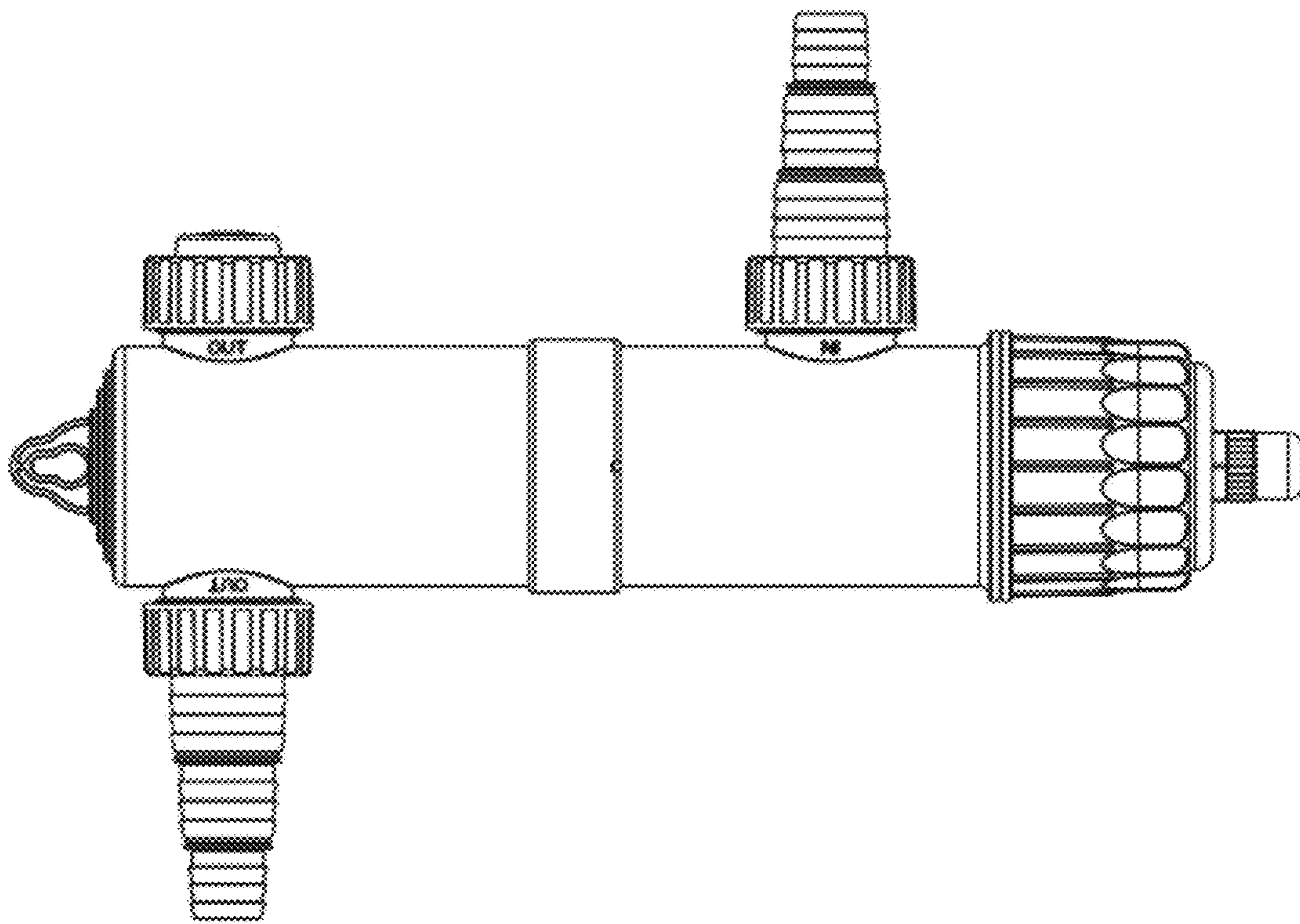


Fig. 10

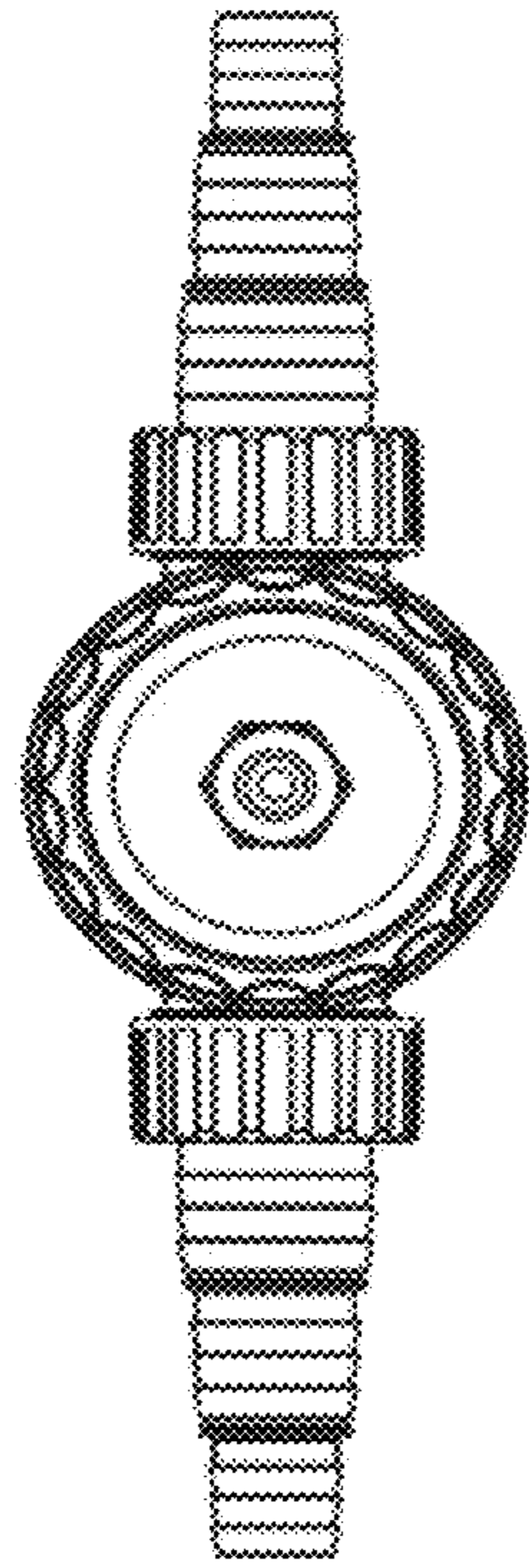


Fig. 11

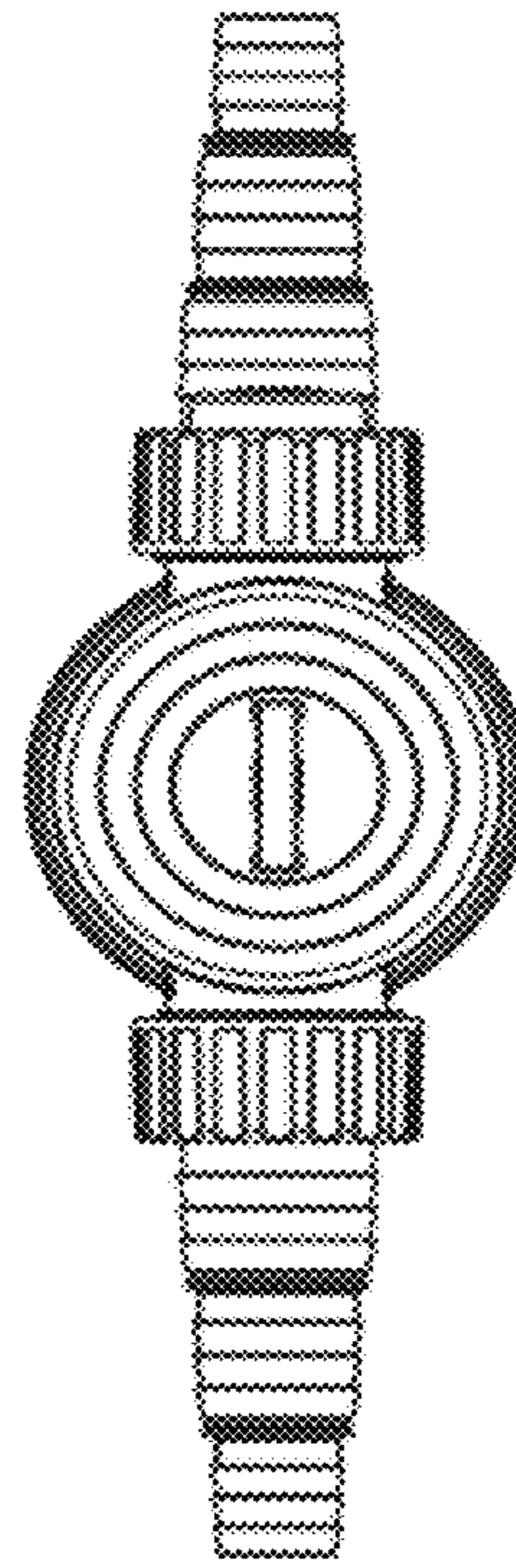


Fig. 12

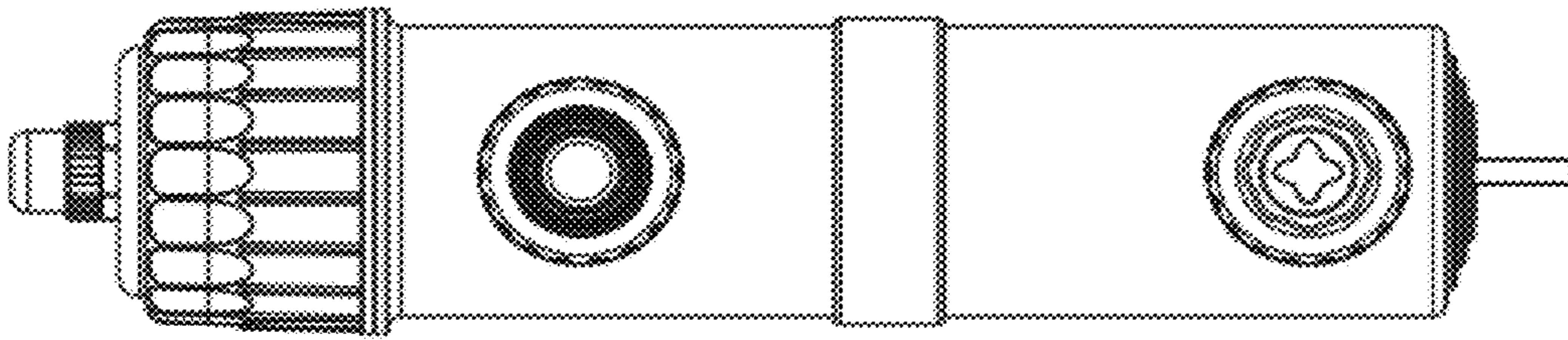


Fig. 13

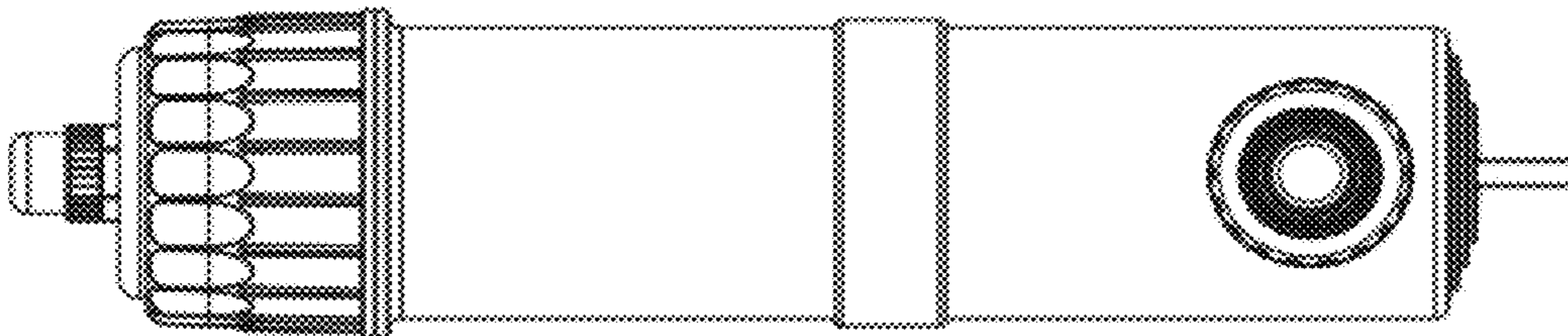


Fig. 14