



US00D654555S

(12) **United States Design Patent**
Rogers

(10) **Patent No.:** **US D654,555 S**

(45) **Date of Patent:** **** Feb. 21, 2012**

(54) **CATCH ALL FISHING HOOK**

(76) Inventor: **Adrienne Rogers**, St. Albans, NY (US)

(**) Term: **14 Years**

(21) Appl. No.: **29/394,708**

(22) Filed: **Jun. 21, 2011**

(51) **LOC (9) Cl.** **22-05**

(52) **U.S. Cl.** **D22/144**

(58) **Field of Classification Search** D22/144,
D22/145-146, 126-133; D8/367, 372; 43/44.83,
43/44.82, 43.16, 43.2, 43.4, 42.7, 43.6; D11/40
See application file for complete search history.

(56) **References Cited**

U.S. PATENT DOCUMENTS

D178,675	S	*	9/1956	Katz	D11/40
3,604,140	A		9/1971	Nelson		
3,676,948	A		7/1972	Hill		
3,771,251	A		11/1973	Stamy		
D282,483	S		2/1986	Gershon		
4,884,359	A		12/1989	Wray		

D315,593	S	*	3/1991	Zappe	D22/144
5,133,146	A		7/1992	Stecher		
5,600,917	A	*	2/1997	Manno	43/44.82
6,701,662	B1		3/2004	Moore		
D522,087	S	*	5/2006	Larsen	D22/144
7,469,497	B2	*	12/2008	Hergott	43/44.82
D636,457	S	*	4/2011	Hatfield	D22/144

* cited by examiner

Primary Examiner — Catheri Oliver

(74) *Attorney, Agent, or Firm* — Kyle Fletcher

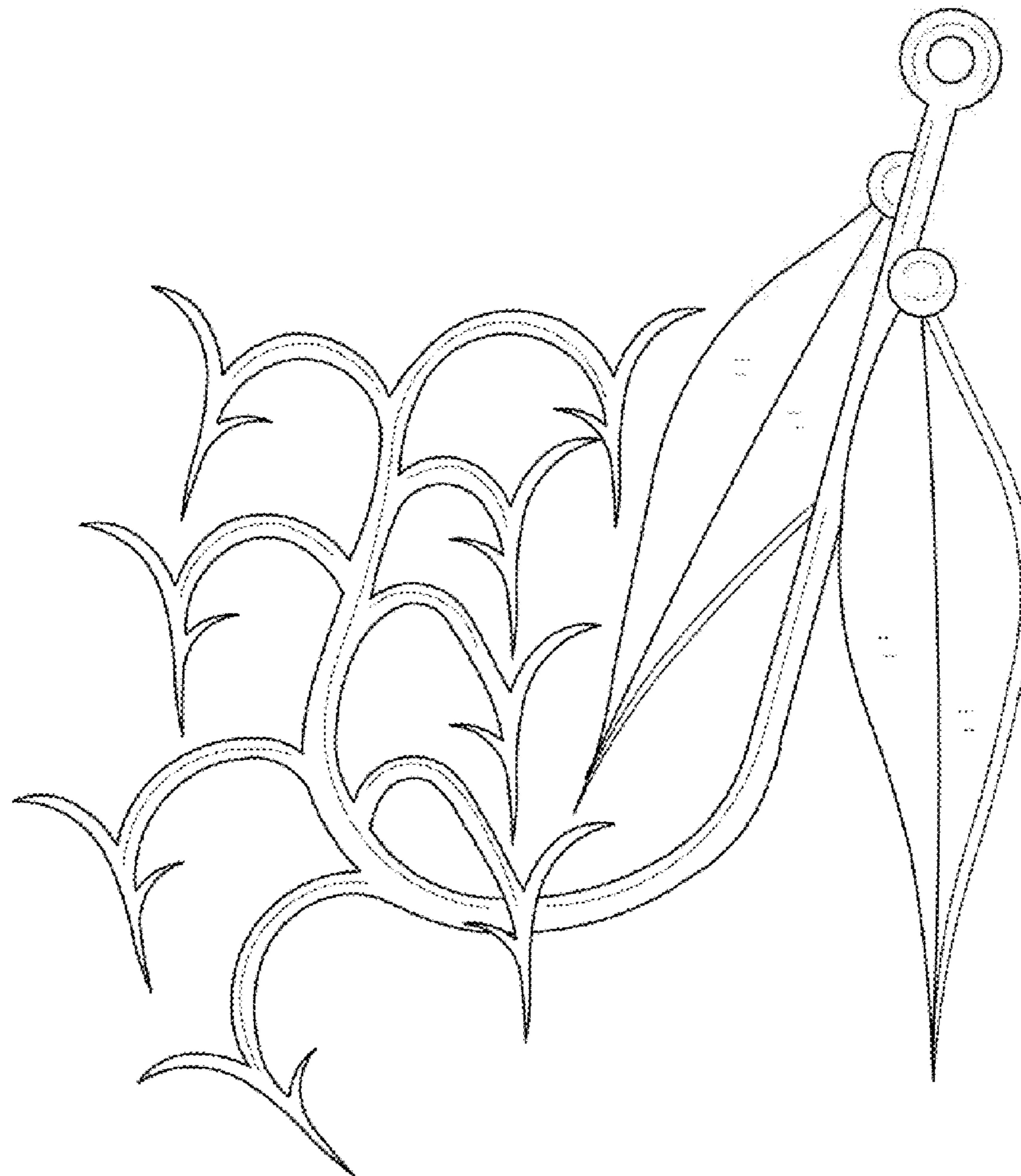
(57) **CLAIM**

I claim the ornamental design for the catch all fishing hook, as shown and described.

DESCRIPTION

FIG. 1 is a front view of the catch all fishing hook.
FIG. 2 is a rear view of the claimed design.
FIG. 3 is a left side view of the claimed design.
FIG. 4 is a right side view of the claimed design.
FIG. 5 is a top view of the claimed design; and,
FIG. 6 is a bottom view of the claimed design.

1 Claim, 5 Drawing Sheets



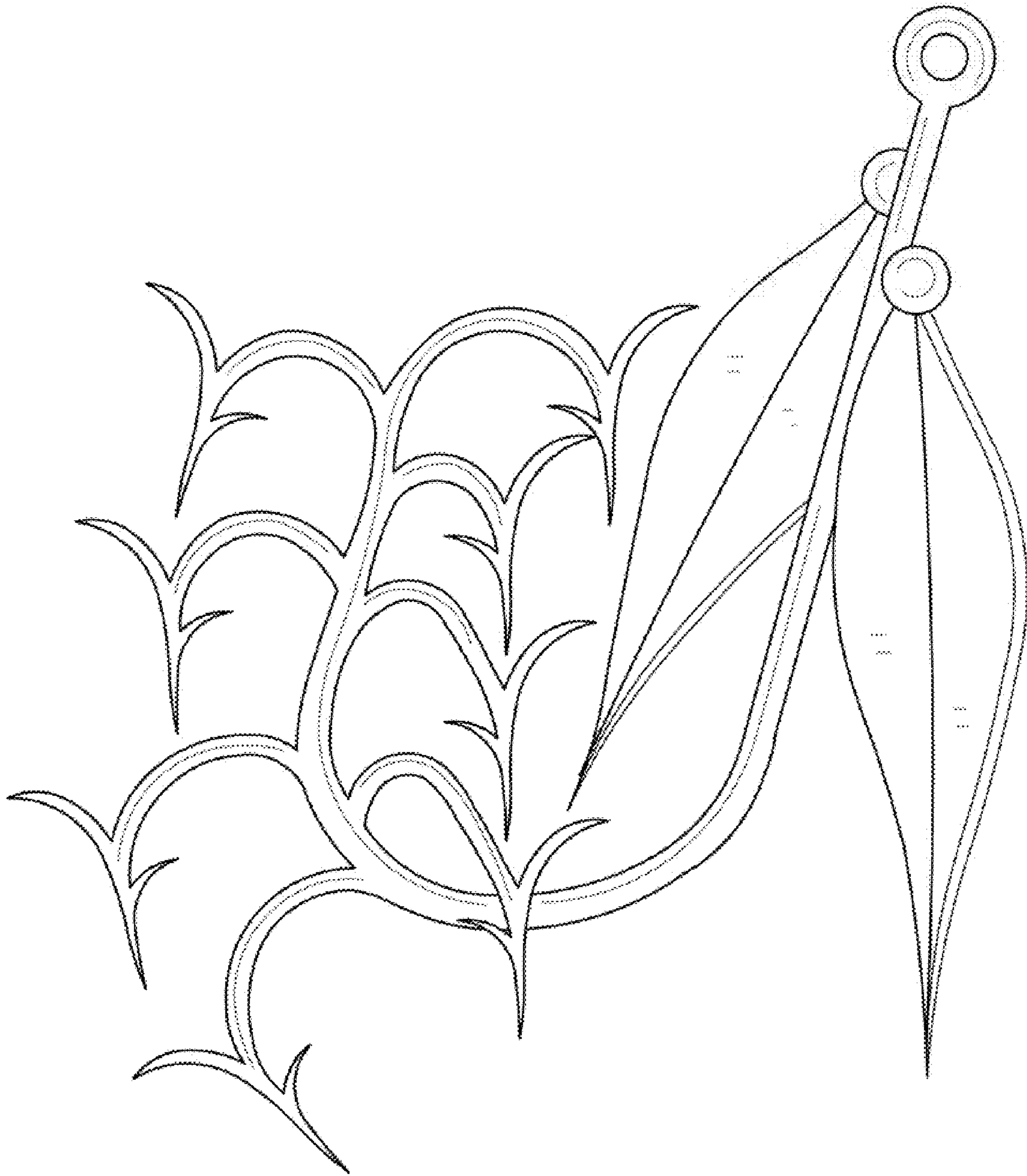


FIG. 1



FIG. 2

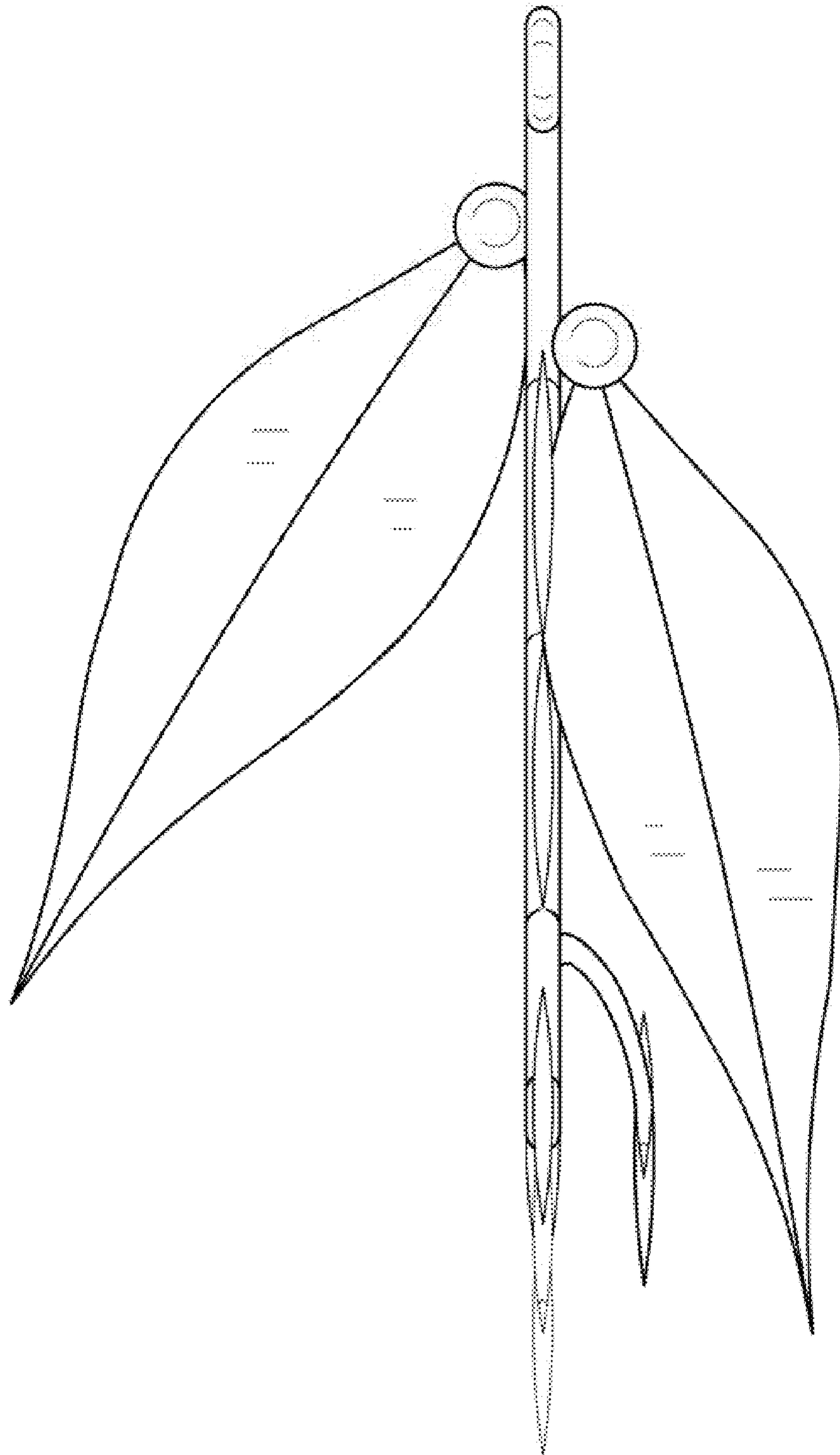


FIG. 3

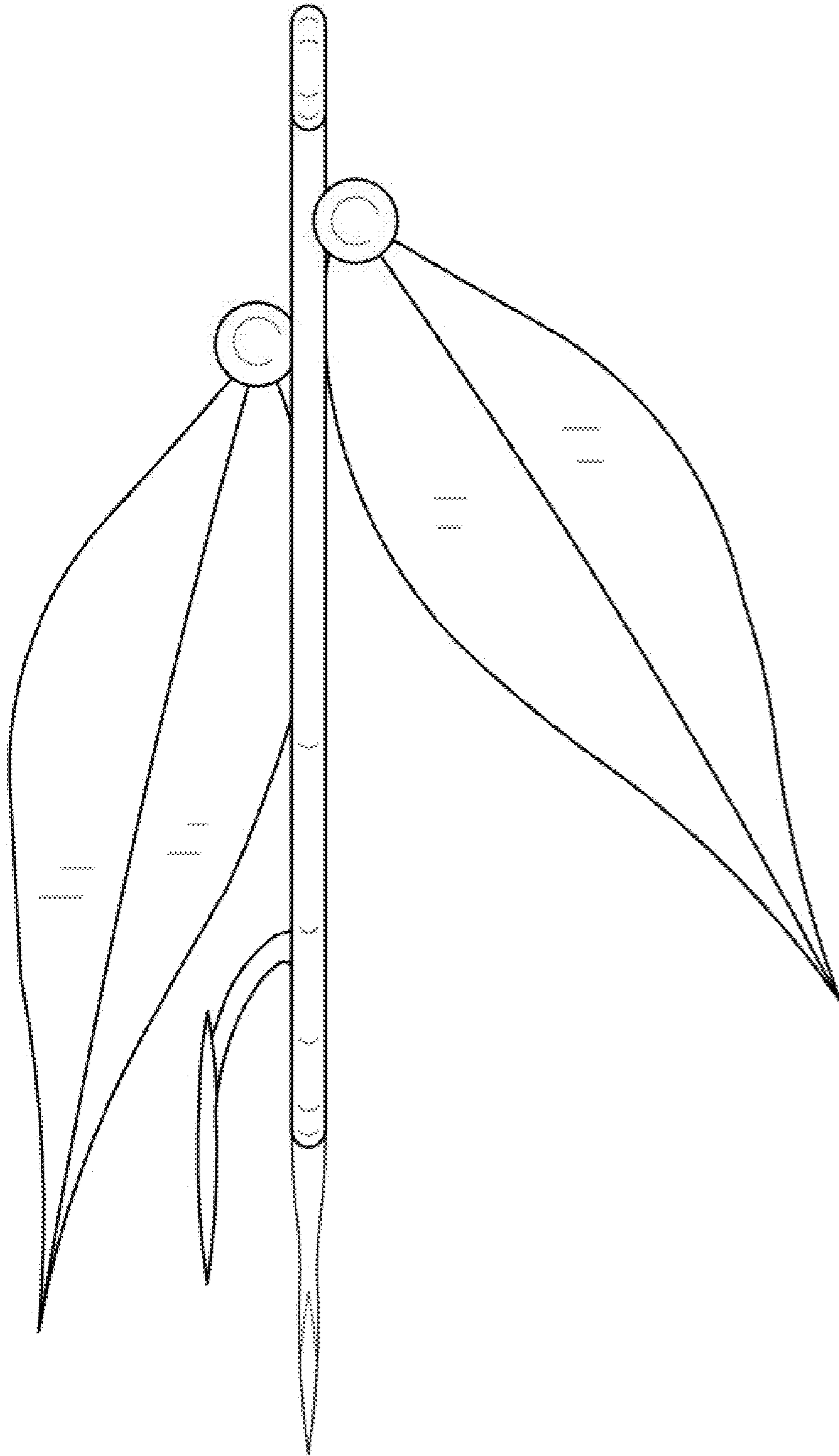


FIG. 4

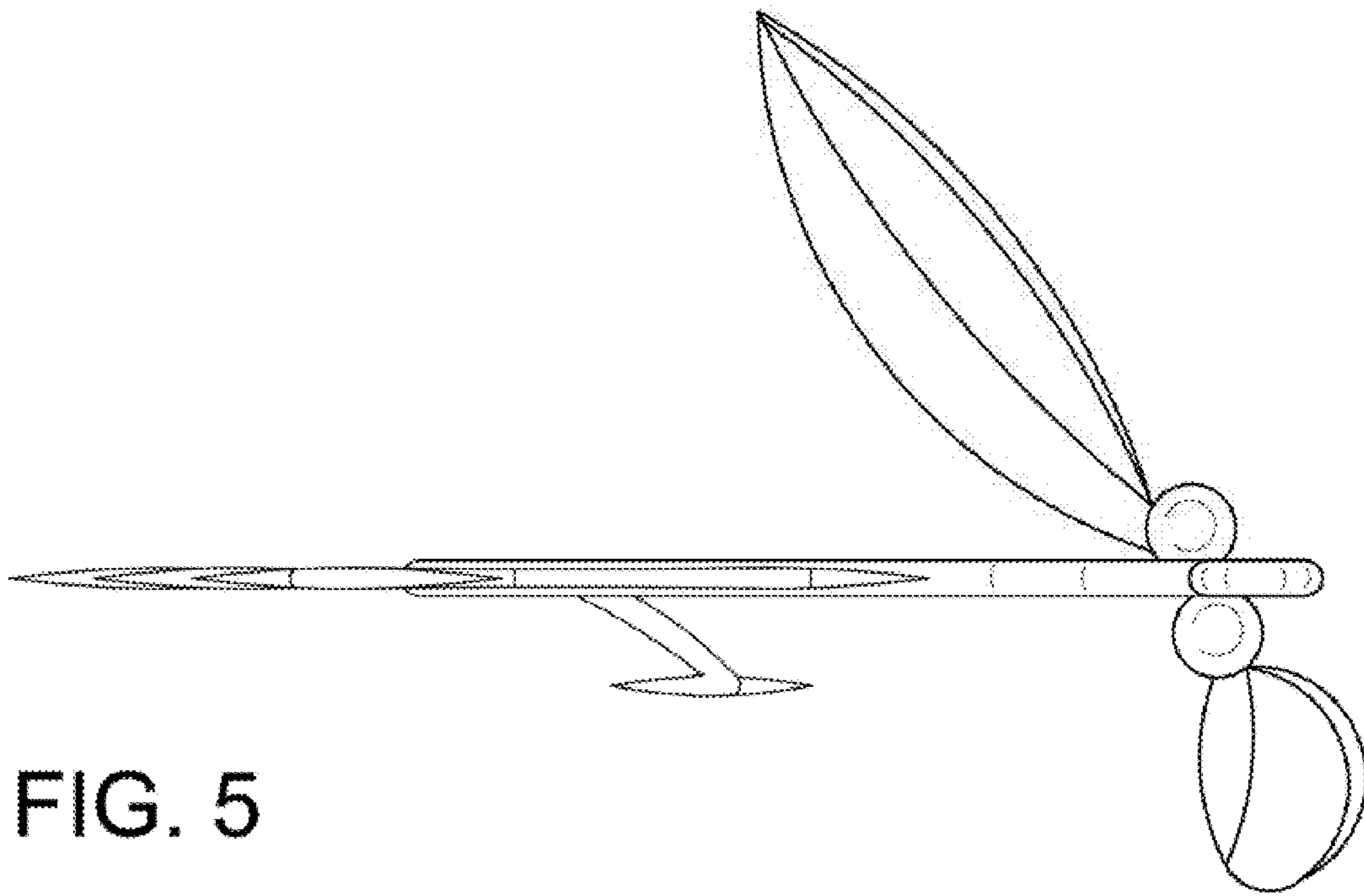


FIG. 5

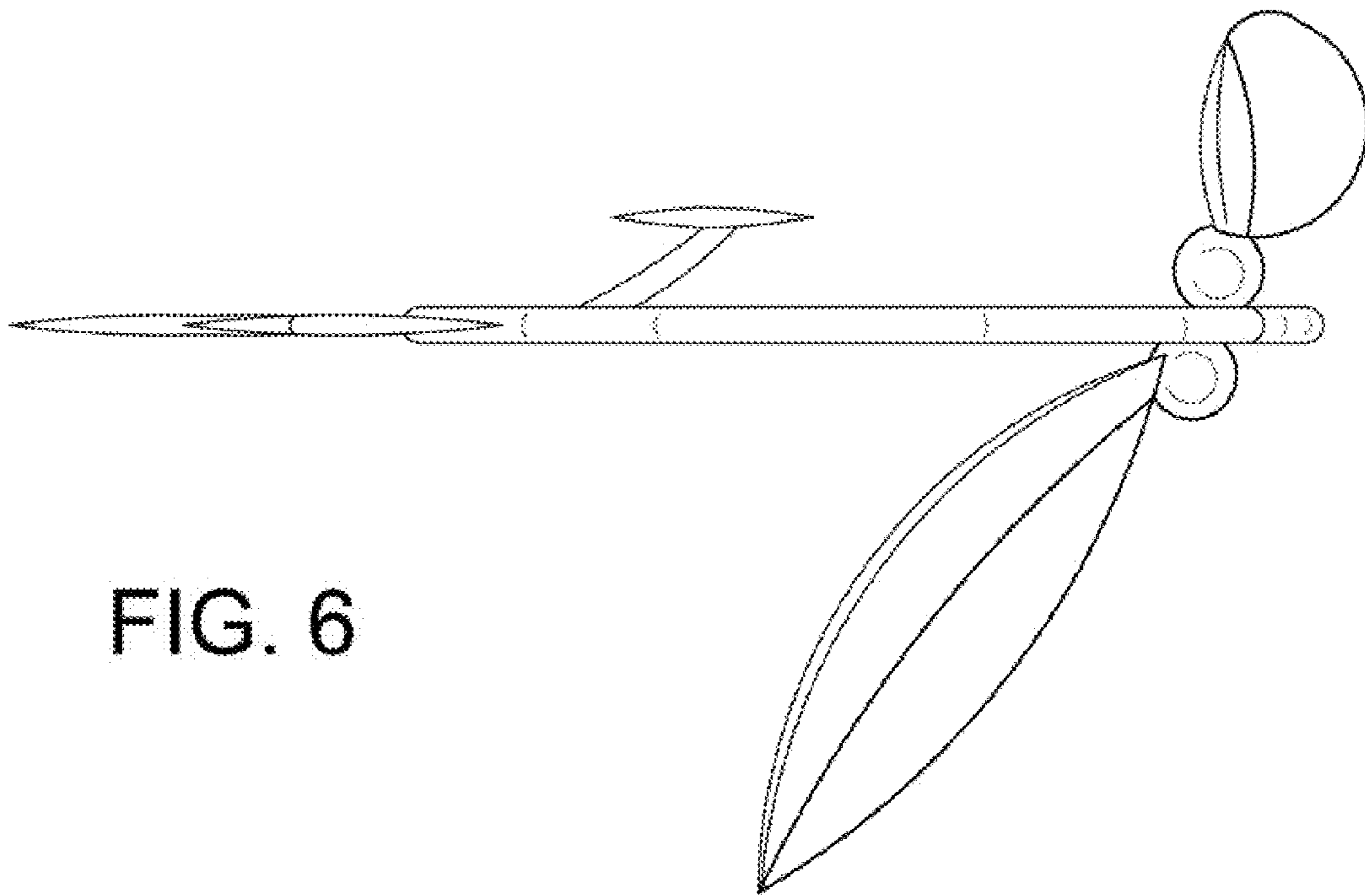


FIG. 6