



US00D654554S

(12) **United States Design Patent**
McCune et al.

(10) **Patent No.:** **US D654,554 S**

(45) **Date of Patent:** **** Feb. 21, 2012**

(54) **FISHING REEL BODY**

(75) Inventors: **Clark Patrick McCune**, Jenks, OK
(US); **Joshua M. Denton**, Broken Arrow,
OK (US)

(73) Assignee: **W.C. Bradley/Zebco Holdings, Inc.**,
Tulsa, OK (US)

(**) Term: **14 Years**

(21) Appl. No.: **29/397,664**

(22) Filed: **Jul. 19, 2011**

(51) **LOC (9) Cl.** **22-05**

(52) **U.S. Cl.** **D22/141**

(58) **Field of Classification Search** D22/137-141;
242/310-316, 223-224, 230, 283, 322, 242;
43/19-22

See application file for complete search history.

(56) **References Cited**

U.S. PATENT DOCUMENTS

2,457,323	A	12/1948	Sharps	
D247,442	S	3/1978	Hiraishi et al.	
5,407,144	A	4/1995	Ryall	
5,755,391	A	5/1998	Sacconi	
6,321,816	B1	11/2001	Koreska	
6,382,545	B1	5/2002	Yeh	
6,460,793	B1	10/2002	Hirayama et al.	
6,550,709	B2	4/2003	Vashro	
D497,969	S *	11/2004	Iwabuchi	D22/141
D500,354	S *	12/2004	Iwabuchi	D22/141
7,077,350	B2	7/2006	Koelewyn	
D558,299	S	12/2007	Lepage et al.	
7,306,179	B2	12/2007	Venes	
7,350,730	B2	4/2008	Hyun	

D582,506	S *	12/2008	Koelewyn	D22/141
D613,364	S *	4/2010	Koelewyn	D22/141
D627,417	S *	11/2010	Nago	D22/141
2011/0174909	A1	7/2011	Shibata et al.	
2011/0240785	A1	10/2011	Martin et al.	

OTHER PUBLICATIONS

Okuma Fishing, "Spinning Reel: Crossover Construction", www.international.okumafishing.com/technology.html.
Pflueger Reels, "Pflueger President XT", www.pfluegerfishing.com/products/products.php?p=77.

* cited by examiner

Primary Examiner — Catheri Oliver

(74) *Attorney, Agent, or Firm* — Fellers, Snider,
Blankenship, Bailey & Tippens, P.C.

(57) **CLAIM**

The ornamental design for a fishing reel body, as shown and described.

DESCRIPTION

FIG. 1 is front elevational view of a reel showing our new design.

FIG. 2 is a rear elevational view of the embodiment of FIG. 1.

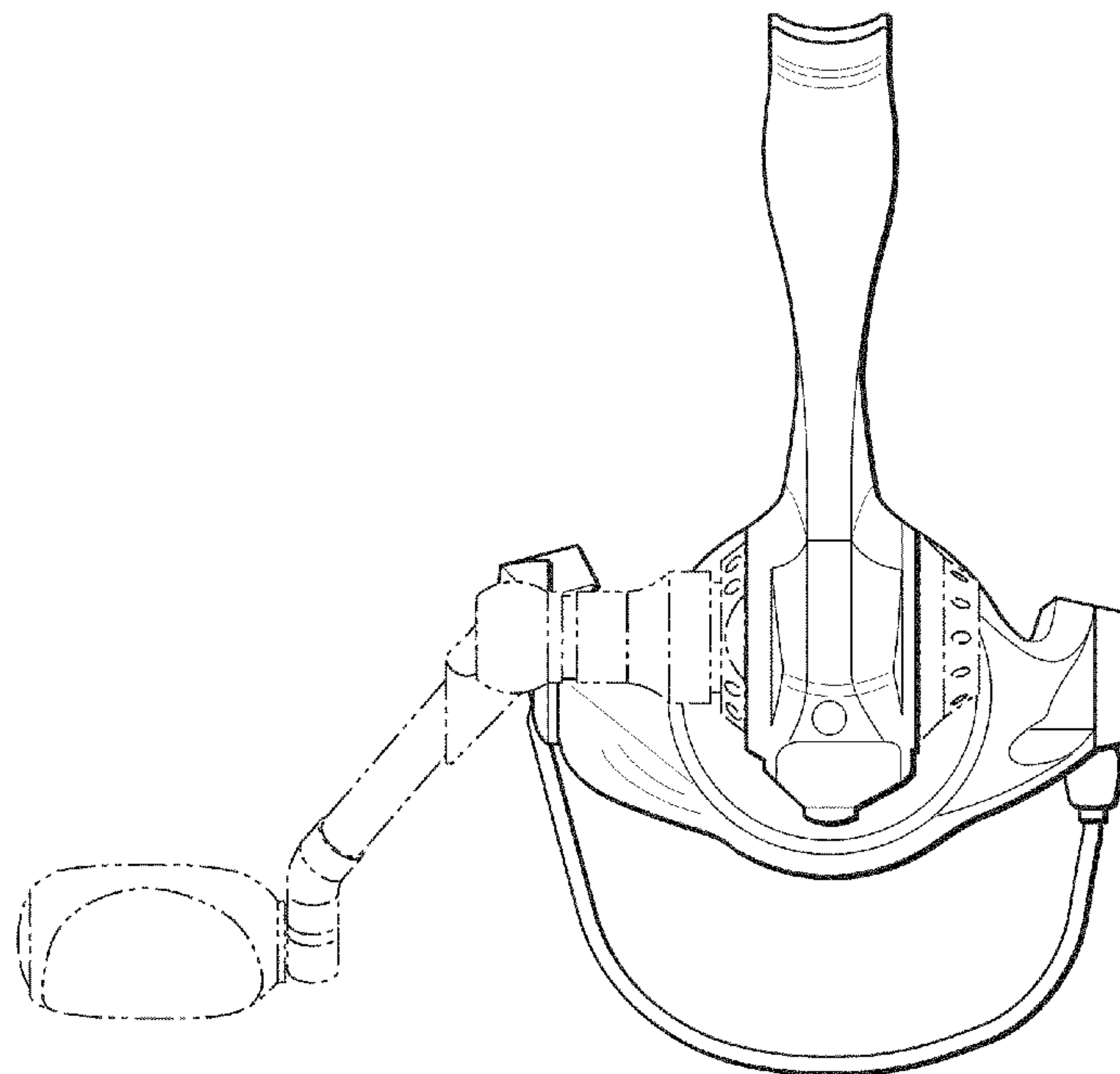
FIG. 3 is a left side elevational view of the embodiment of FIG. 1.

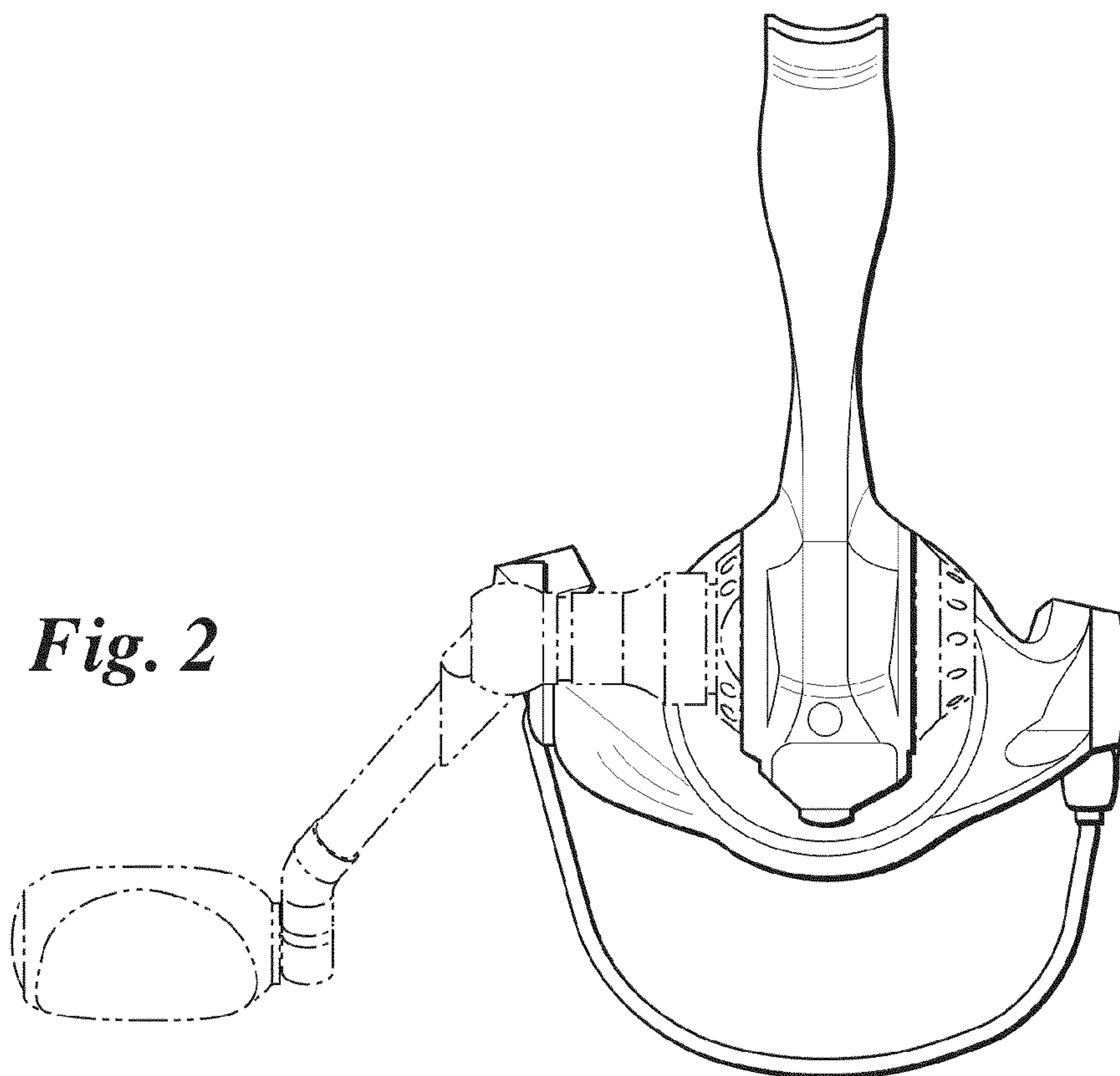
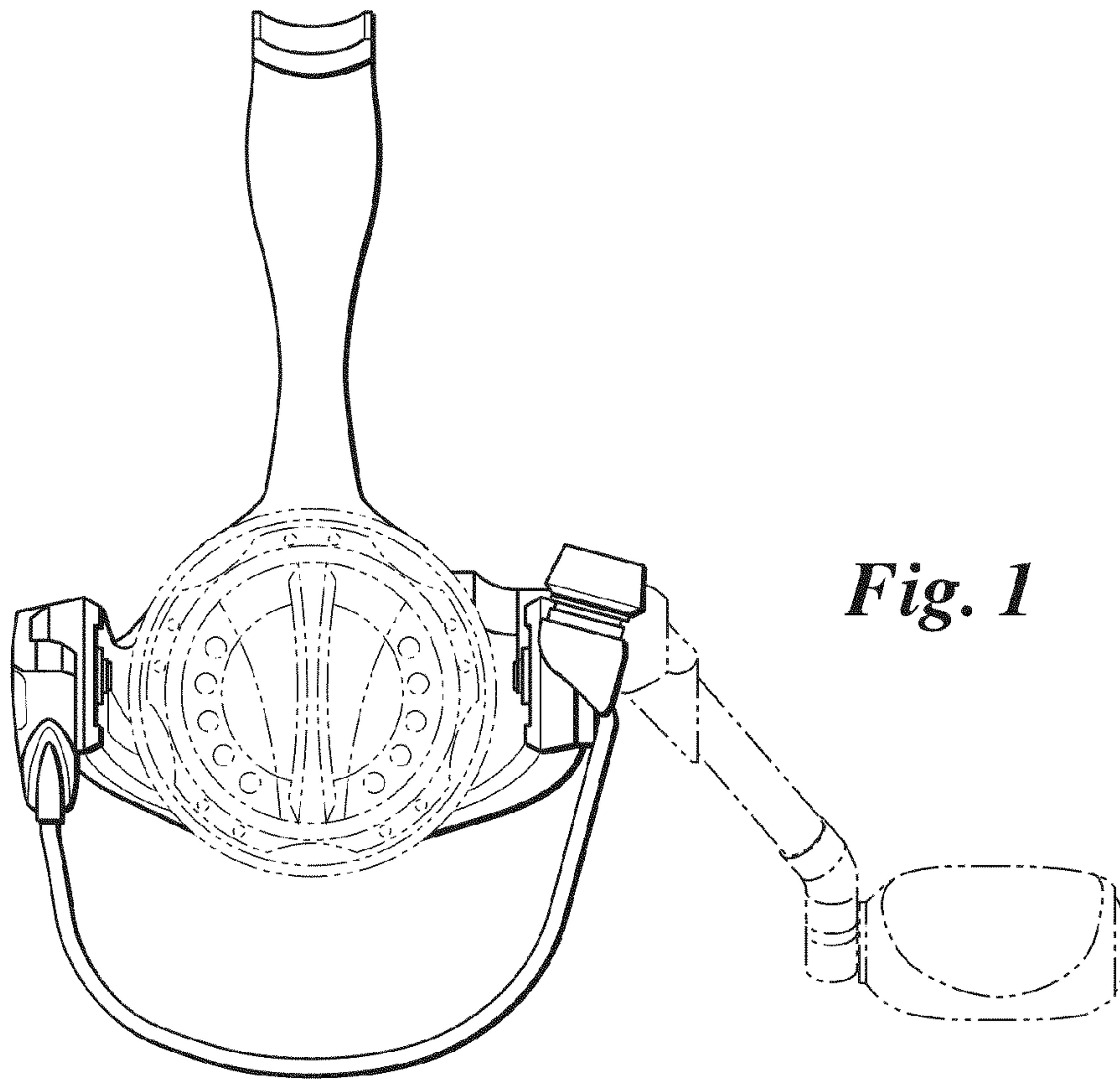
FIG. 4 is a right side elevational view of the embodiment of FIG. 1.

FIG. 5 is a top plan view of the embodiment of FIG. 1; and, FIG. 6 is a bottom plan view of the embodiment of FIG. 1.

The broken line showing of environment in the drawings is included for the purpose of illustrating only and forms no part of the claimed design.

1 Claim, 4 Drawing Sheets





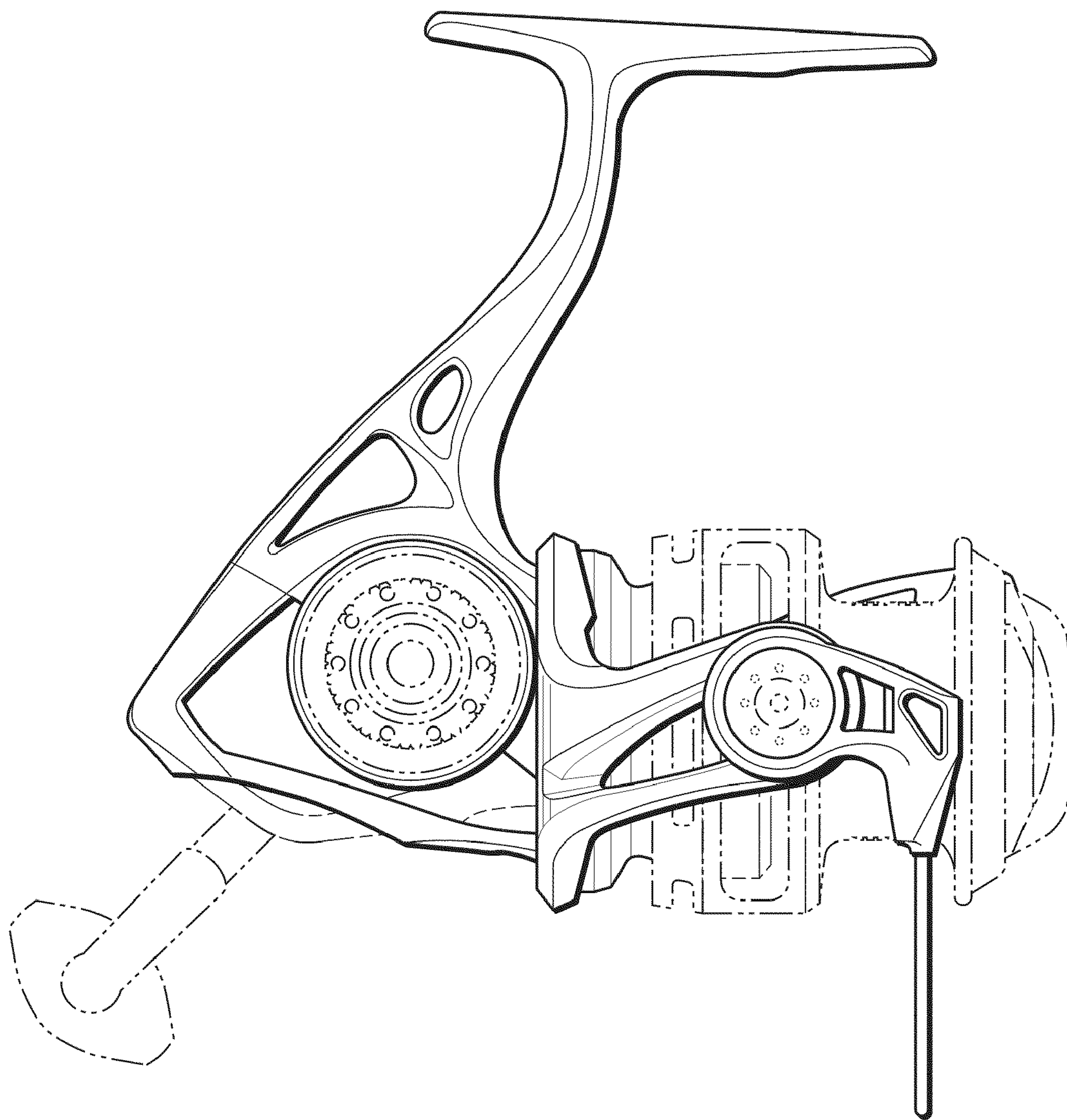


Fig. 3

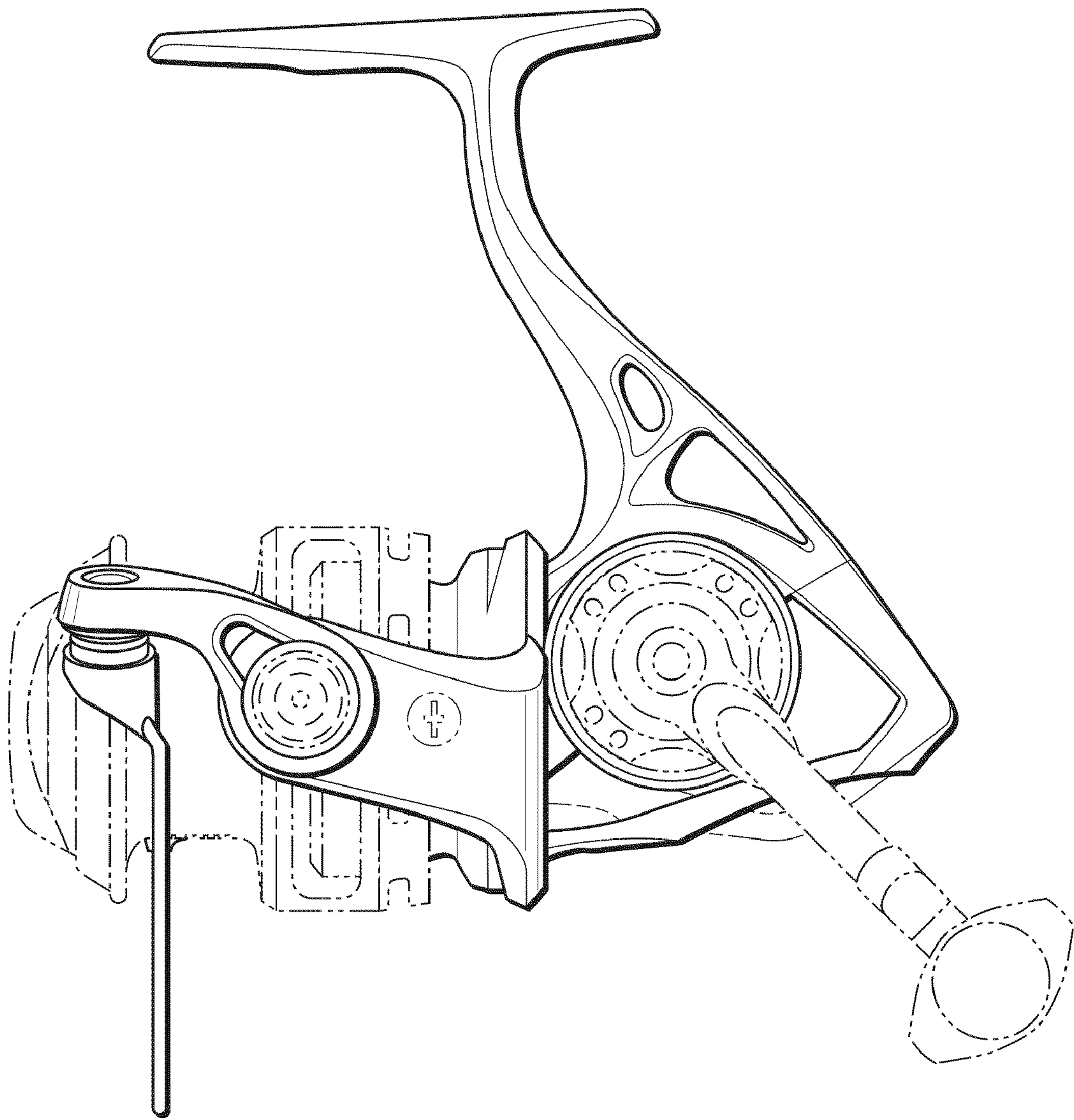


Fig. 4

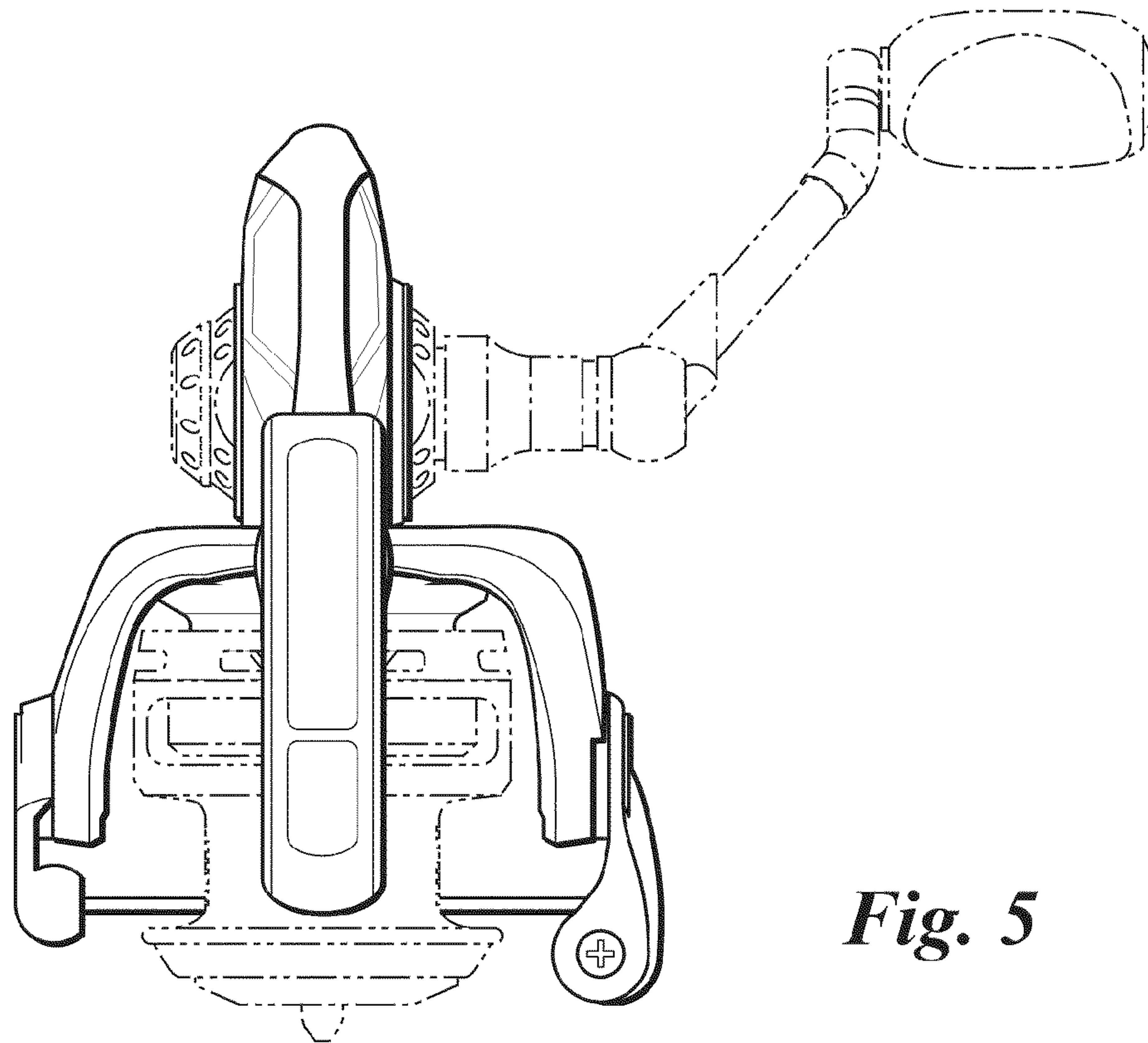


Fig. 5

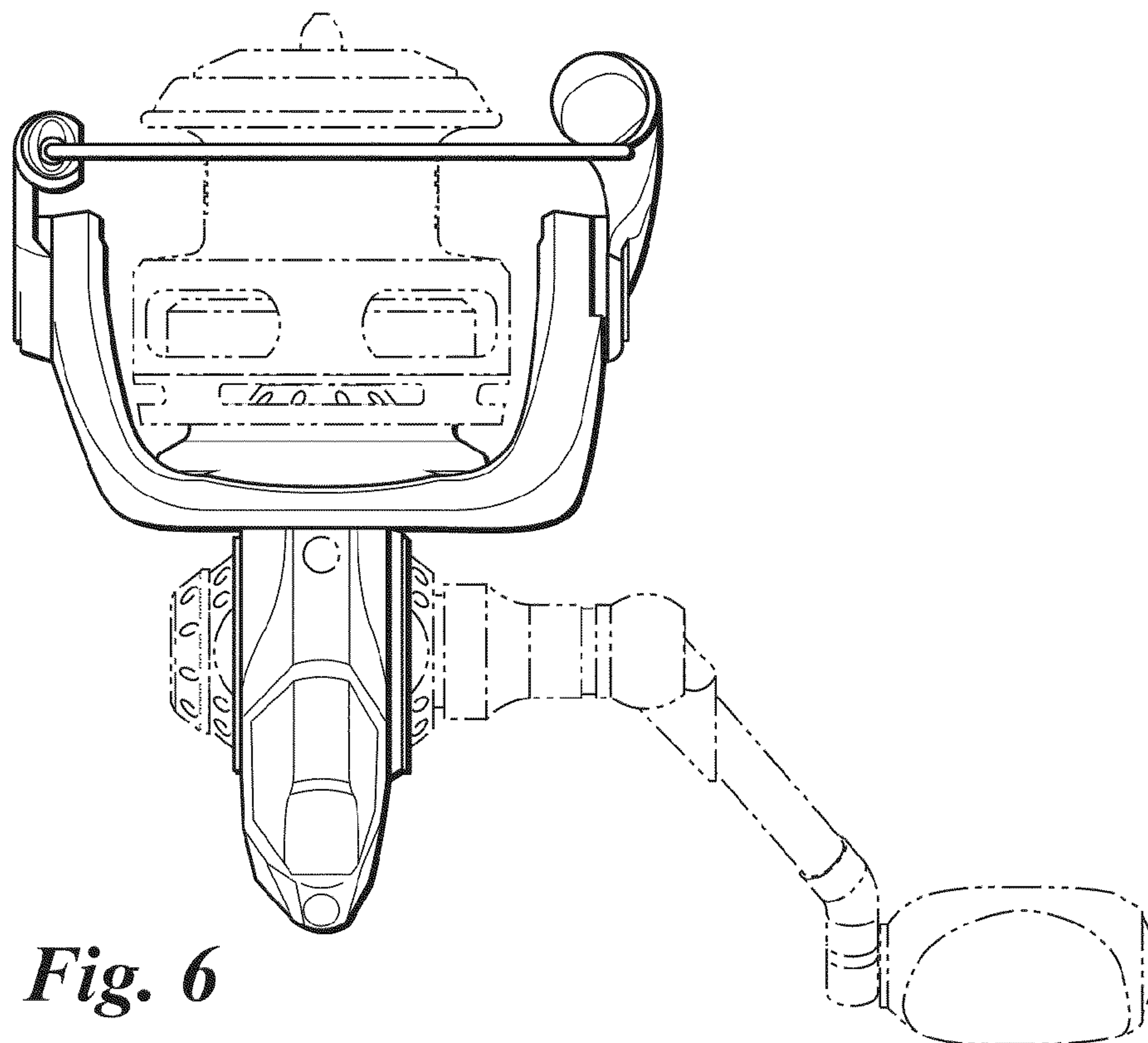


Fig. 6