



US00D654553S

(12) **United States Design Patent**  
**McCune et al.**

(10) **Patent No.:** **US D654,553 S**

(45) **Date of Patent:** **\*\* Feb. 21, 2012**

(54) **FISHING REEL BODY**

(75) Inventors: **Clark Patrick McCune**, Jenks, OK (US); **Hyunky Kim**, Broken Arrow, OK (US)

(73) Assignee: **W.C. Bradley/Zebco Holdings, Inc.**, Tulsa, OK (US)

(\*\*) Term: **14 Years**

(21) Appl. No.: **29/397,628**

(22) Filed: **Jul. 19, 2011**

(51) **LOC (9) Cl.** ..... **22-05**

(52) **U.S. Cl.** ..... **D22/140**

(58) **Field of Classification Search** ..... D22/137-141;  
242/234-240, 223-224, 314, 323, 370  
See application file for complete search history.

(56) **References Cited**

**U.S. PATENT DOCUMENTS**

5,127,603	A	7/1992	Morimoto	
5,839,682	A	11/1998	Kim	
6,032,894	A	3/2000	Chapman et al.	
6,321,816	B1	11/2001	Koreska	
D452,292	S *	12/2001	Kim et al.	D22/140
6,460,793	B1	10/2002	Hirayama et al.	
D476,715	S *	7/2003	Robbins et al.	D22/140
D487,496	S *	3/2004	Iwabuchi	D22/141
D502,529	S *	3/2005	Nago	D22/140
7,077,351	B2	7/2006	Myojo et al.	
7,350,730	B2	4/2008	Hyun	
2003/0075632	A1	4/2003	Myojo	
2011/0057063	A1	3/2011	Kawasaki	
2011/0240785	A1	10/2011	Martin et al.	

**OTHER PUBLICATIONS**

Okuma Fishing, "Spinning Reel: Crossover Construction", "www.international.okumafishing.com/technology.html".

\* cited by examiner

*Primary Examiner* — Catheri Oliver

(74) *Attorney, Agent, or Firm* — Fellers, Snider, Blankenship, Bailey & Tippens, P.C.

(57) **CLAIM**

The ornamental design for a fishing reel body, as shown and described.

**DESCRIPTION**

FIG. 1 is front elevational view of a reel showing our new design.

FIG. 2 is a left side elevational view of the embodiment of FIG. 1.

FIG. 3 is a right side elevational view of the embodiment of FIG. 1.

FIG. 4 is a rear elevation view of the embodiment of FIG. 1.

FIG. 5 is a top plan view of the embodiment of FIG. 1.

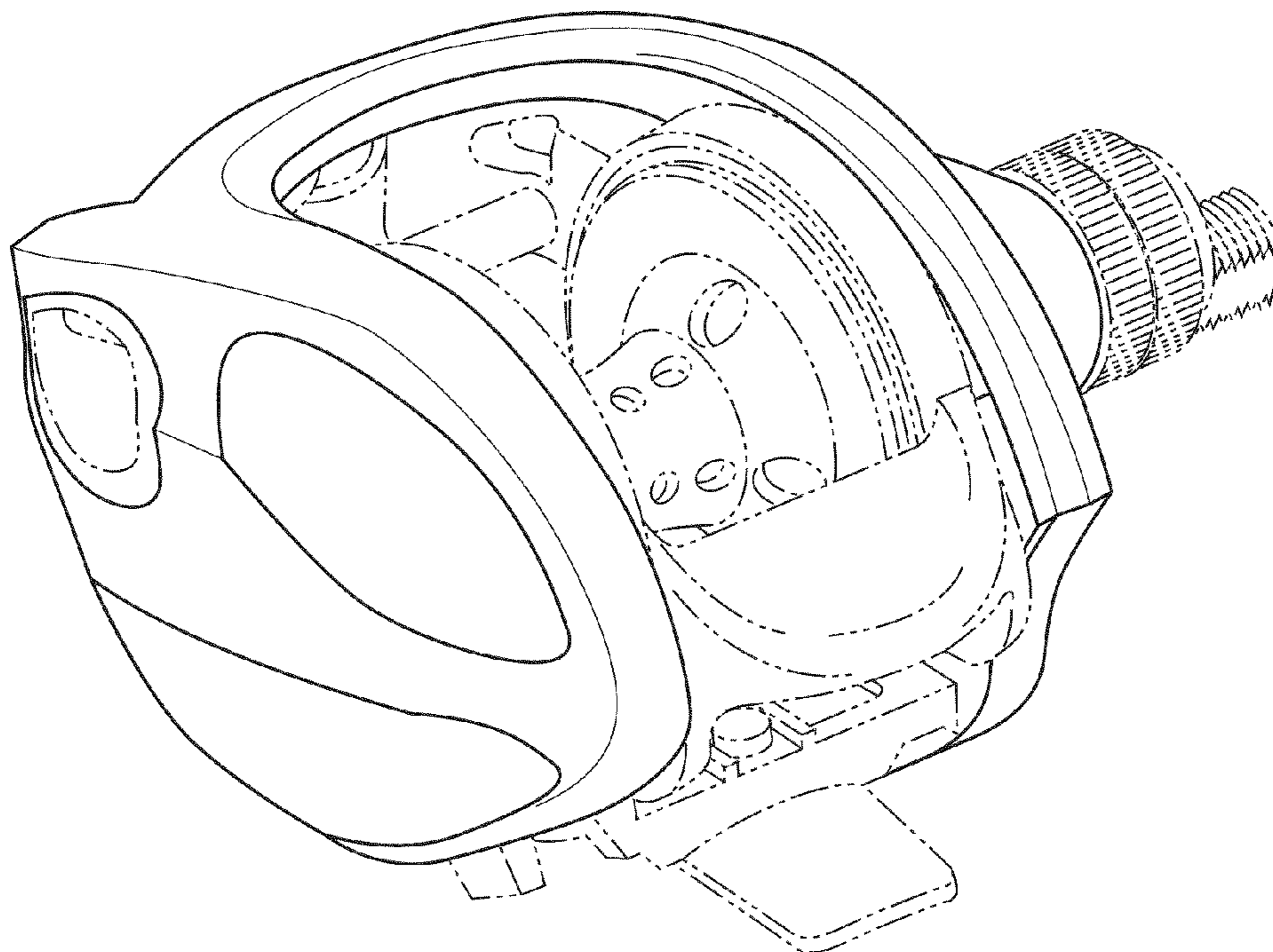
FIG. 6 is a bottom plan view of the embodiment of FIG. 1.

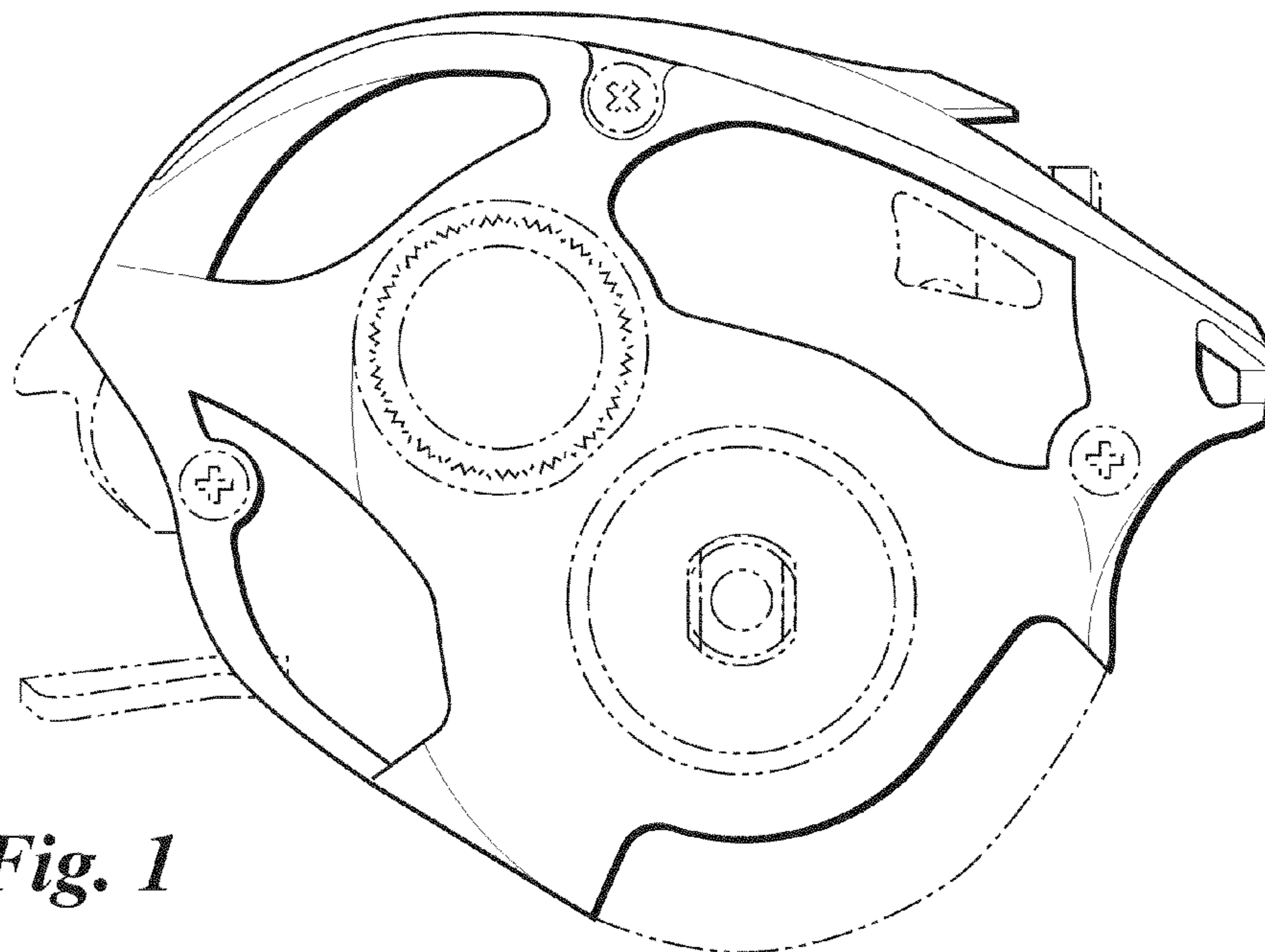
FIG. 7 is a perspective view showing the front, top, and right side of the embodiment of FIG. 1; and,

FIG. 8 is a perspective view showing the rear, top, and left side of the embodiment of FIG. 1.

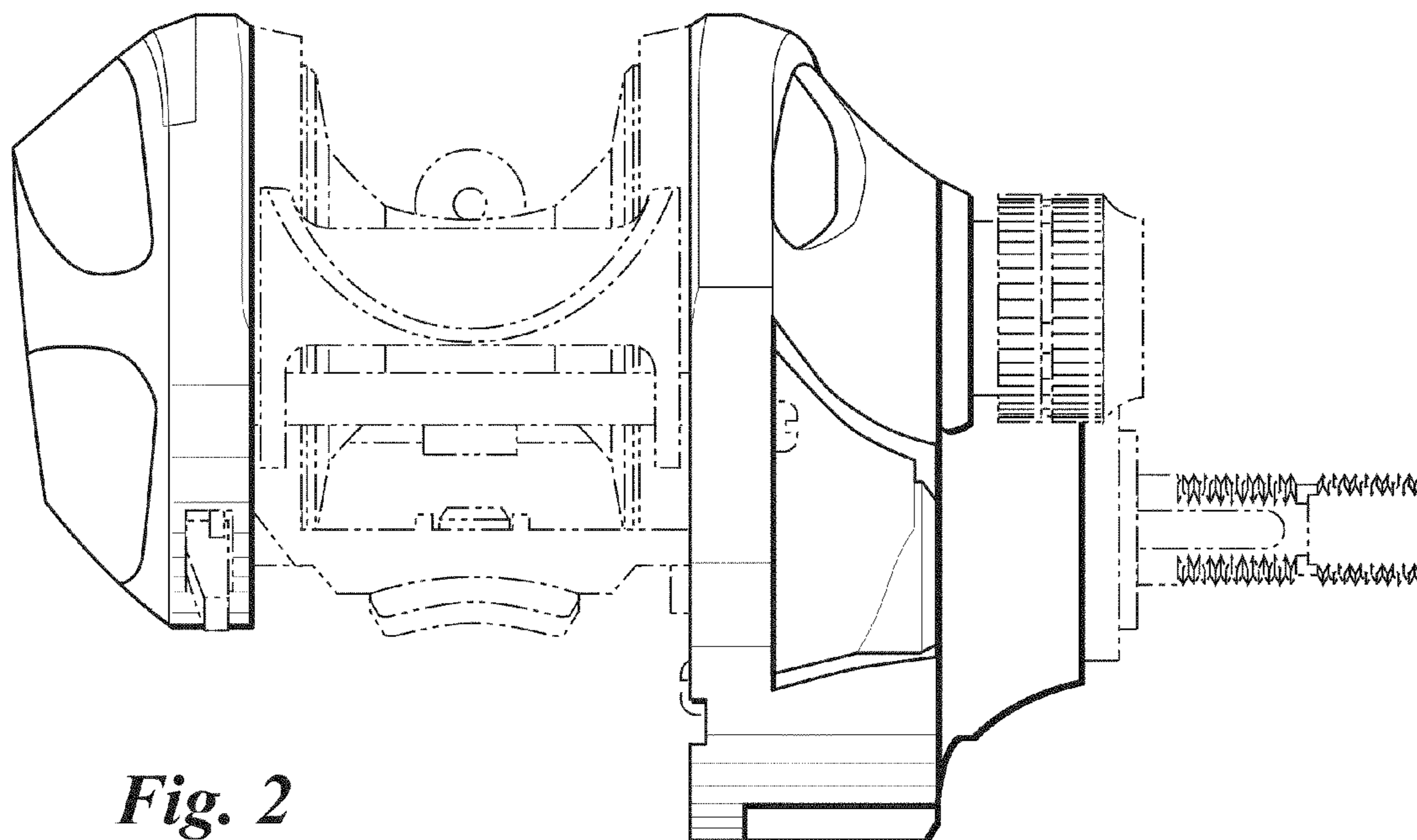
The broken line showing of environment in the drawings is included for the purpose of illustrating only and forms no part of the claimed design.

**1 Claim, 5 Drawing Sheets**



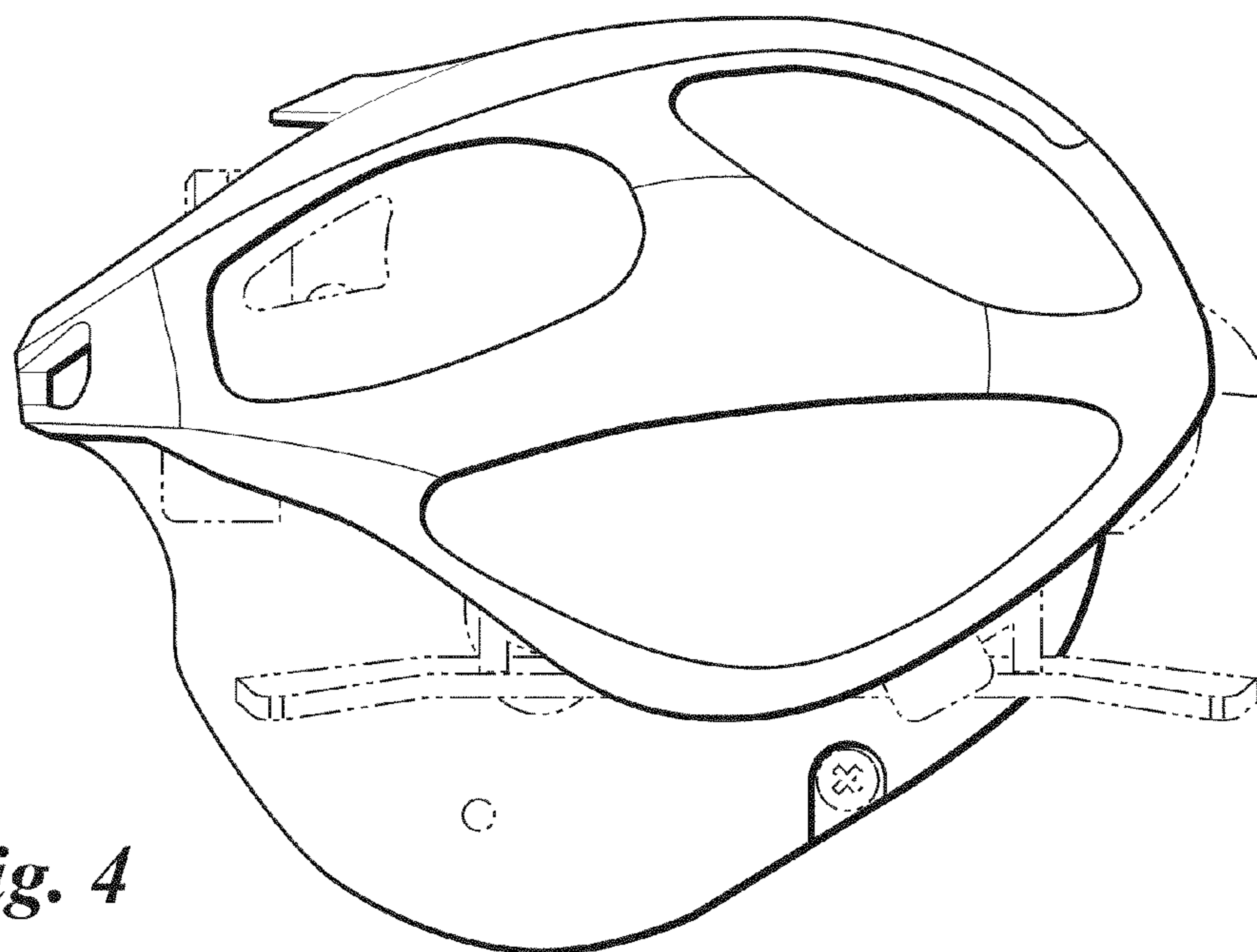


*Fig. 1*

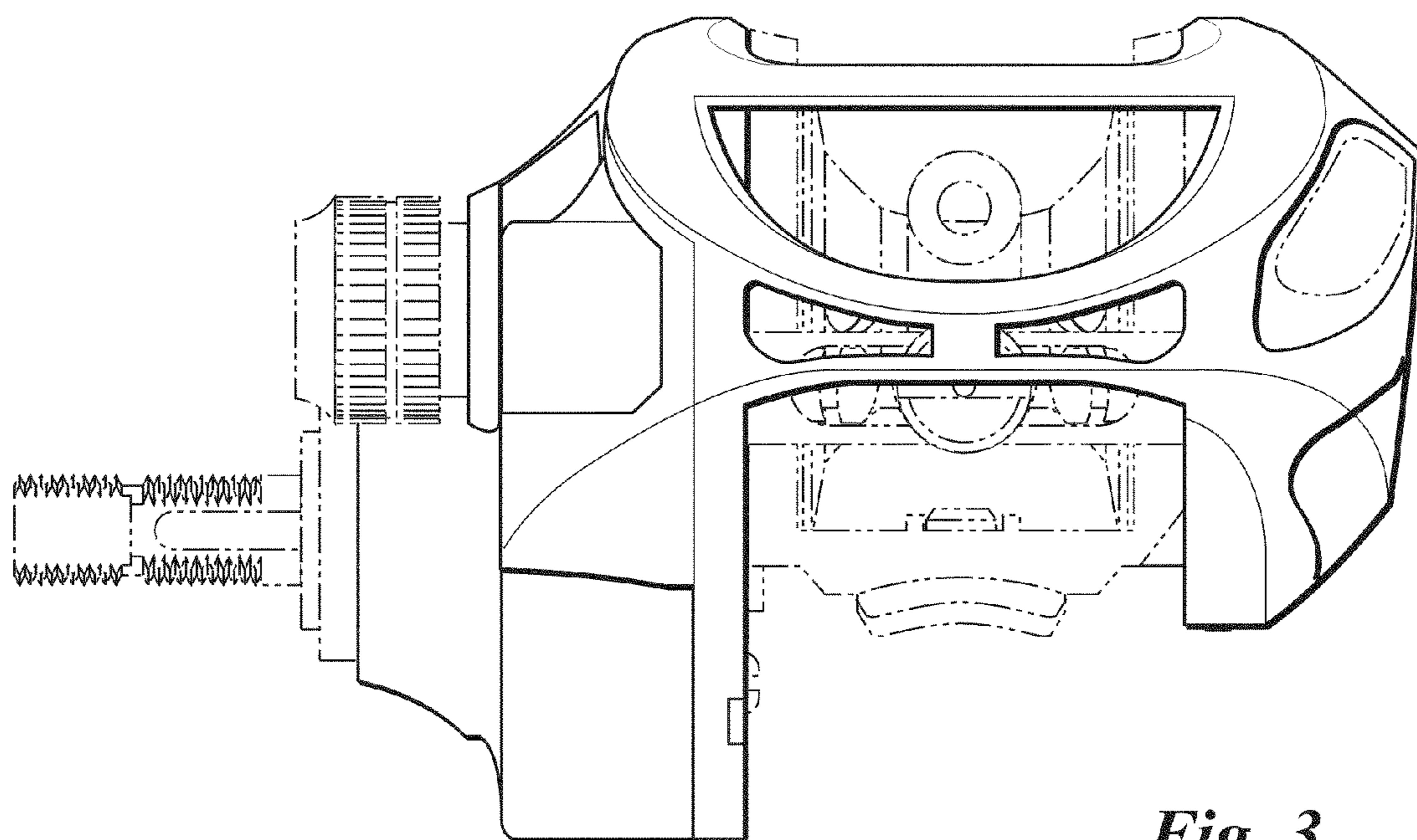


*Fig. 2*

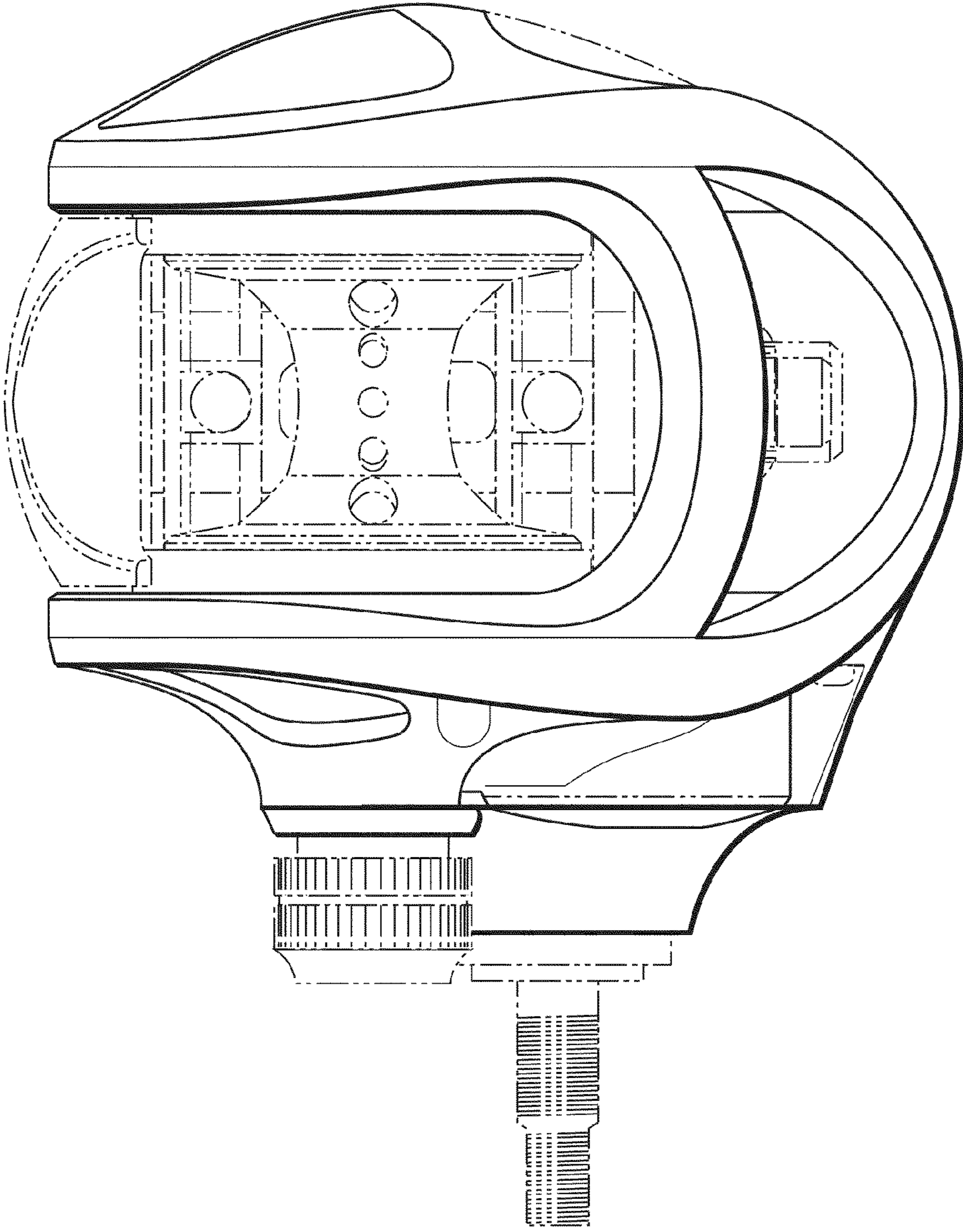




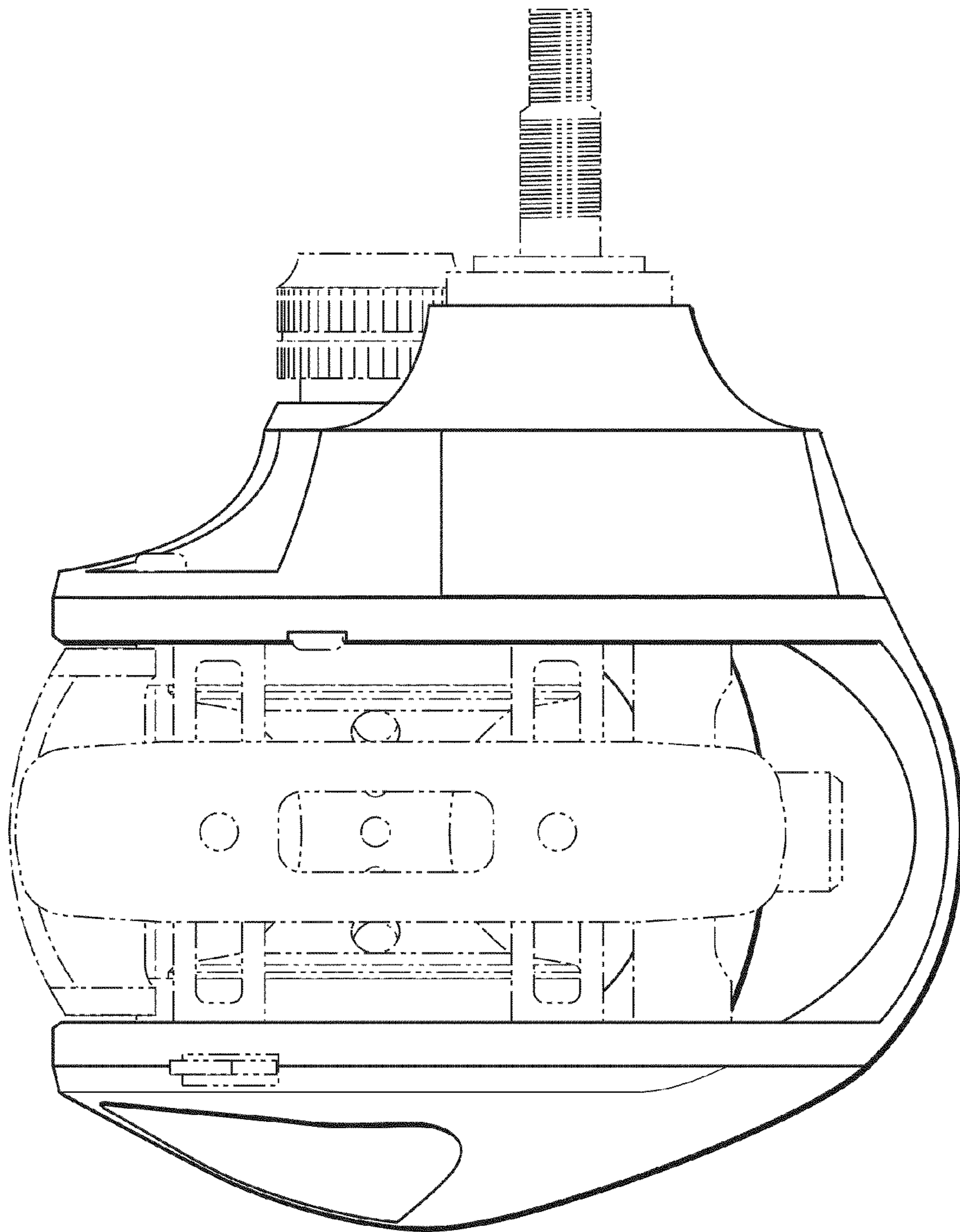
*Fig. 4*



*Fig. 3*

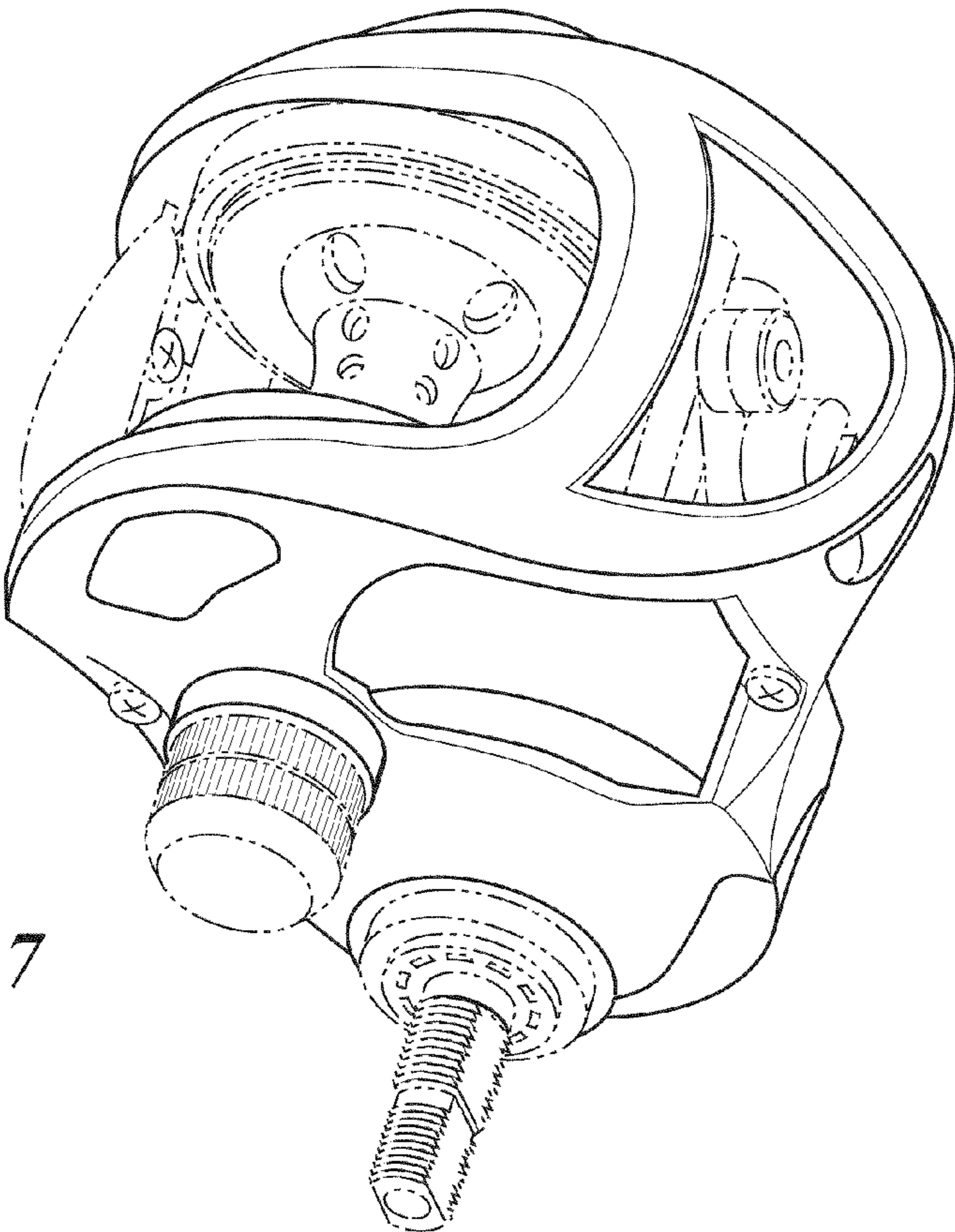


*Fig. 5*

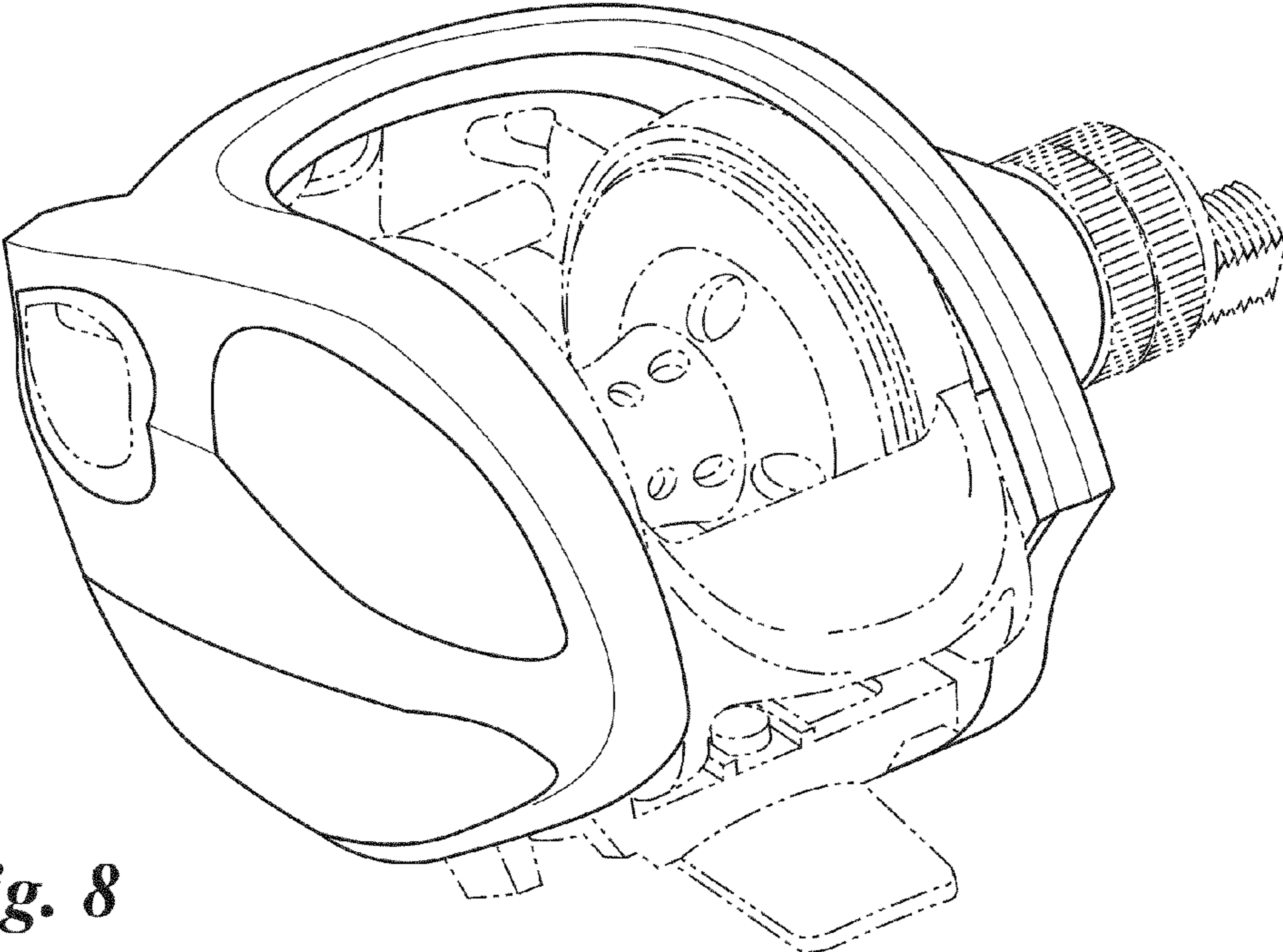


*Fig. 6*





*Fig. 7*



*Fig. 8*