

US00D654551S

(12) **United States Design Patent**
Williams

(10) **Patent No.:** **US D654,551 S**

(45) **Date of Patent:** **** Feb. 21, 2012**

(54) **RAIL INSPECTION TOOL**

(75) Inventor: **Nicholas Williams**, Turin, NY (US)

(73) Assignee: **The Otis Patent Trust**, Lyons Falls, NY (US)

(**) Term: **14 Years**

(21) Appl. No.: **29/353,898**

(22) Filed: **Jan. 15, 2010**

(51) **LOC (9) Cl.** **22-01**

(52) **U.S. Cl.** **D22/107; D22/108; D22/110**

(58) **Field of Classification Search** D22/100,
D22/108, 109, 110, 199; 42/11, 113, 116,
42/119, 124, 125, 127, 90, 145, 128, 72,
42/106, 114, 85, 75.02, 71.01; 248/205.1,
248/201; 52/831-857

See application file for complete search history.

(56) **References Cited**

U.S. PATENT DOCUMENTS

4,456,497 A * 6/1984 Eberle 156/257
6,886,288 B1 * 5/2005 Yocum et al. 42/127

D513,299 S * 12/2005 Ding D22/110
7,913,439 B2 * 3/2011 Whaley 42/90
2006/0283070 A1 * 12/2006 Murello 42/127
2010/0186278 A1 * 7/2010 Daniel 42/71.01
2011/0146128 A1 * 6/2011 Haering 42/90
2011/0162251 A1 * 7/2011 Houde-Walter 42/146
2011/0197491 A1 * 8/2011 McCann 42/132

* cited by examiner

Primary Examiner — Michael Pratt

(74) *Attorney, Agent, or Firm* — Harris Beach PLLC

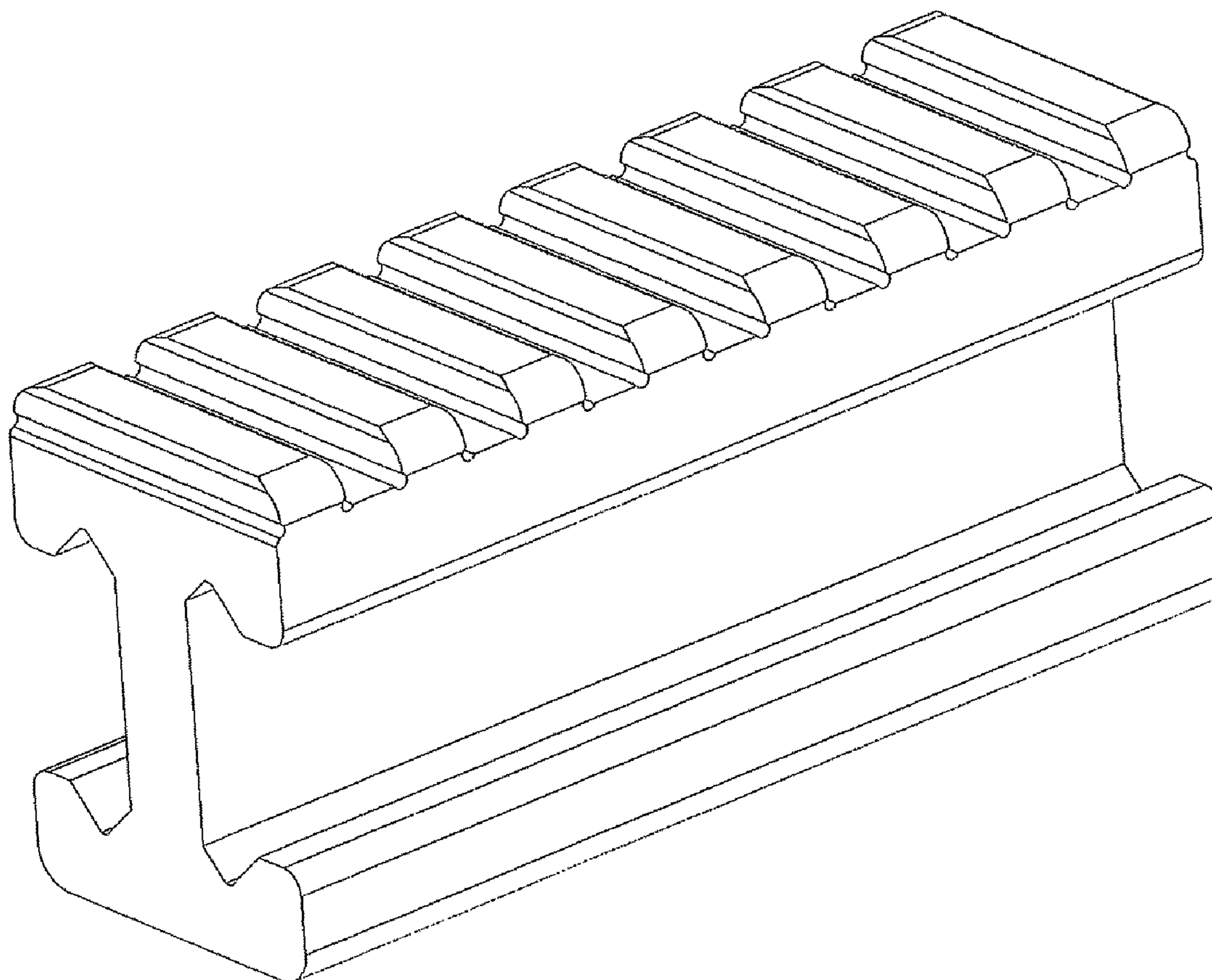
(57) **CLAIM**

The ornamental design for a rail inspection tool, as shown and described.

DESCRIPTION

FIG. 1 is a perspective view of a rail inspection tool, illustrating my new design;
FIG. 2 is a front elevational view thereof;
FIG. 3 is a back elevational view thereof;
FIG. 4 is a top plan view thereof;
FIG. 5 is bottom plan view thereof; and,
FIG. 6 is a left end view thereof, the right end view being a mirror image thereof.

1 Claim, 6 Drawing Sheets



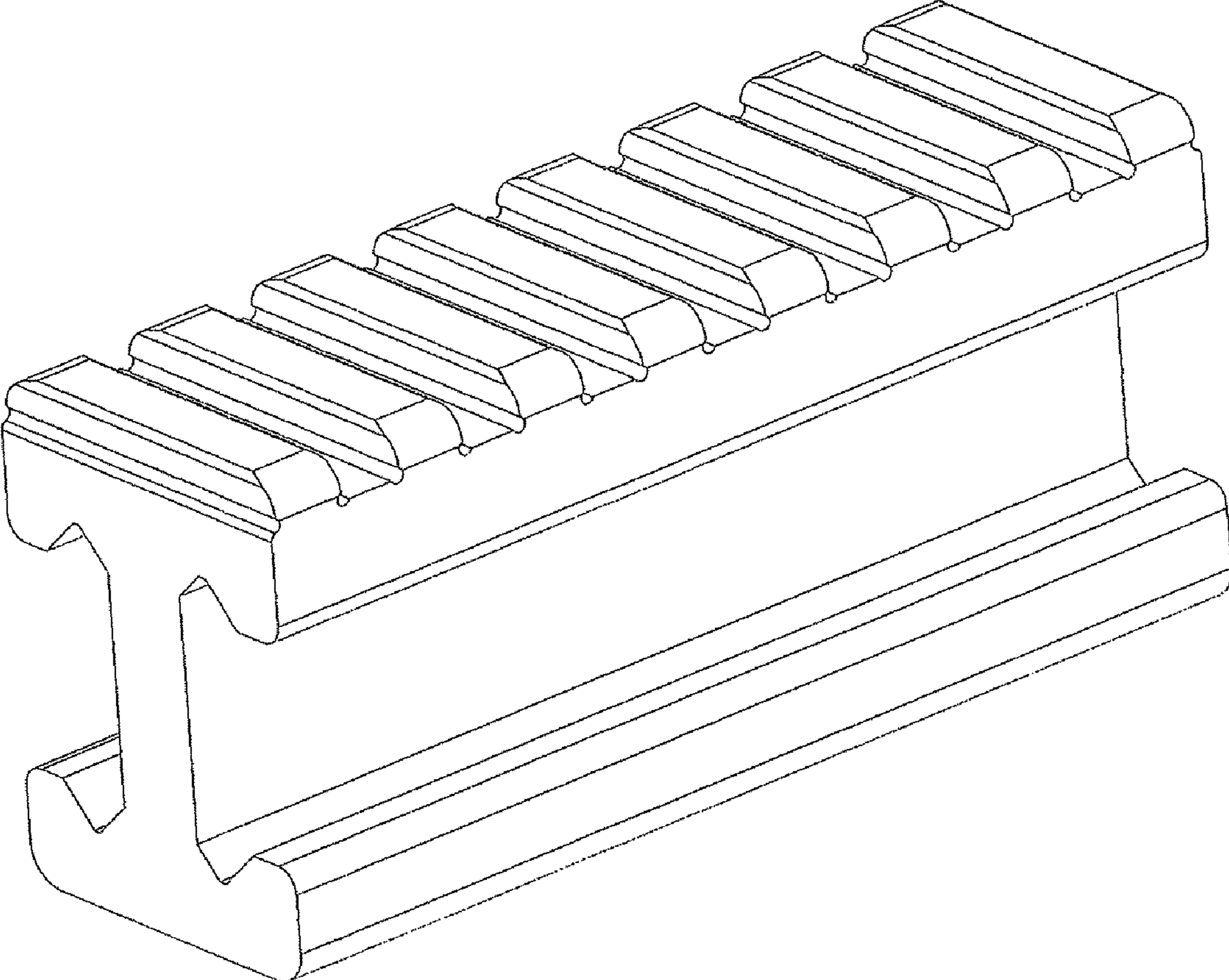


FIG. 1

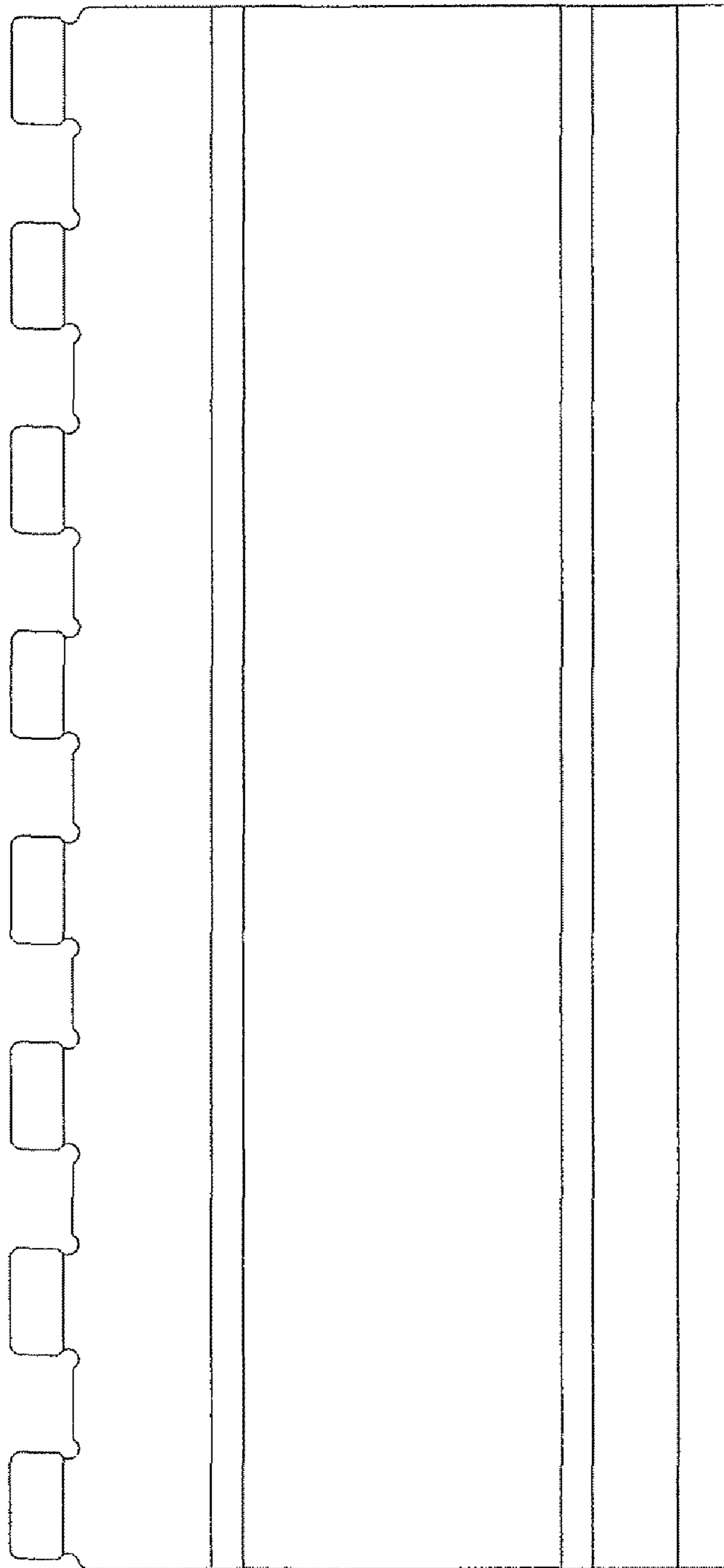


FIG.2

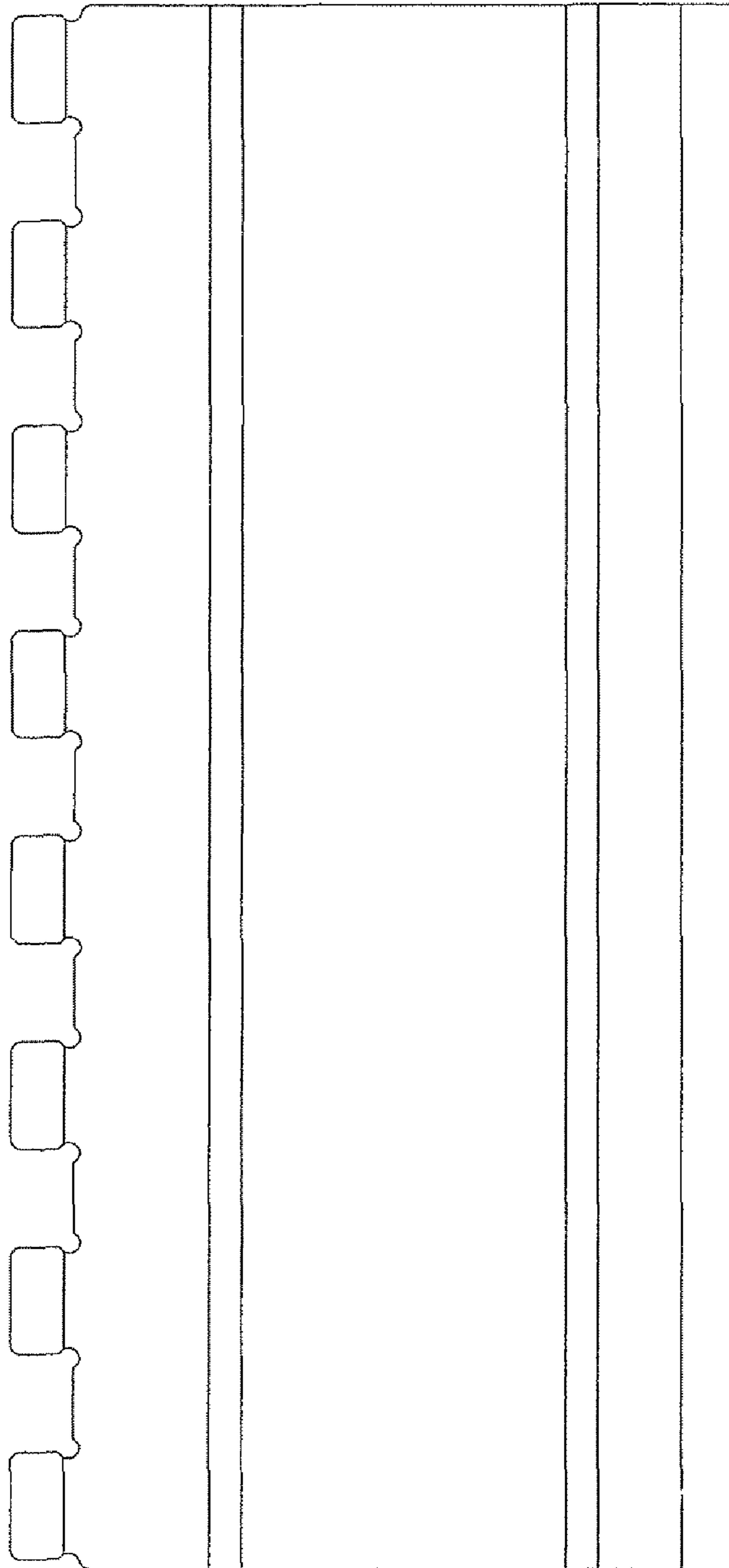


FIG. 3

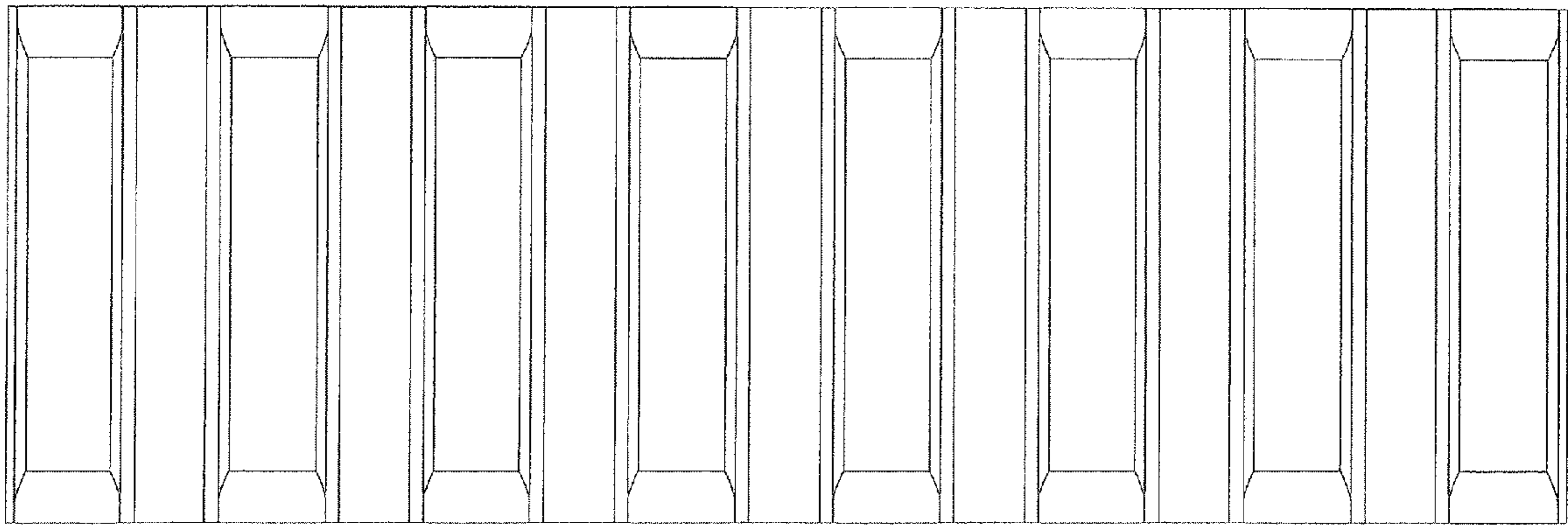


FIG. 4

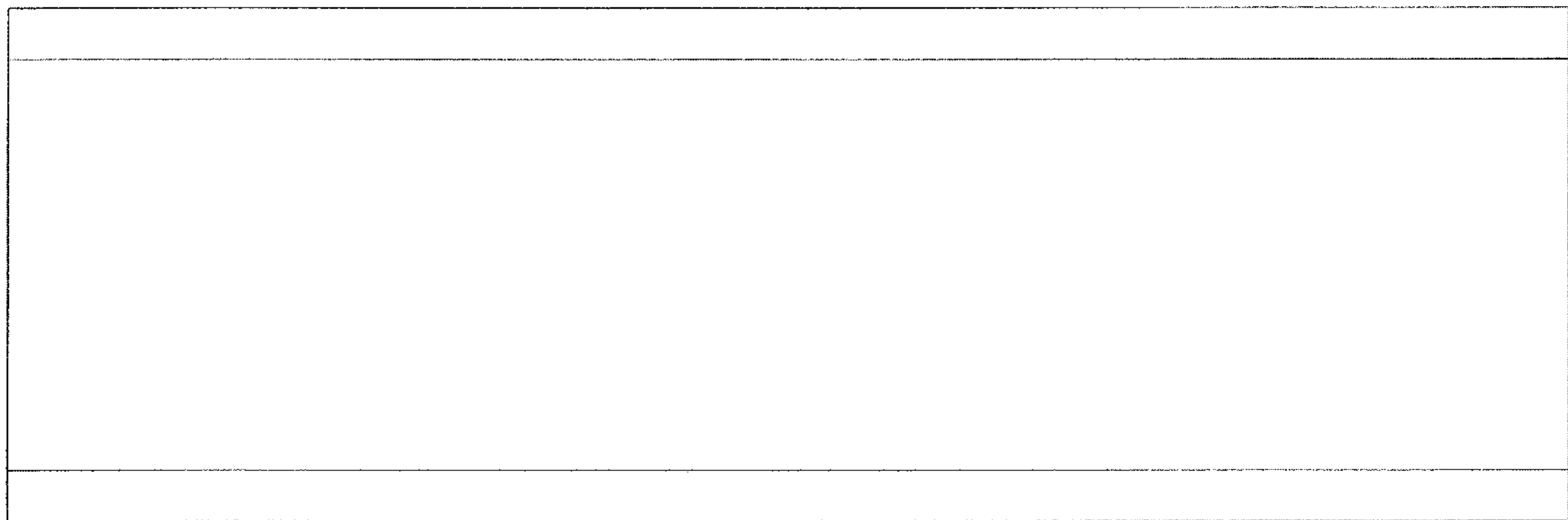


FIG. 5

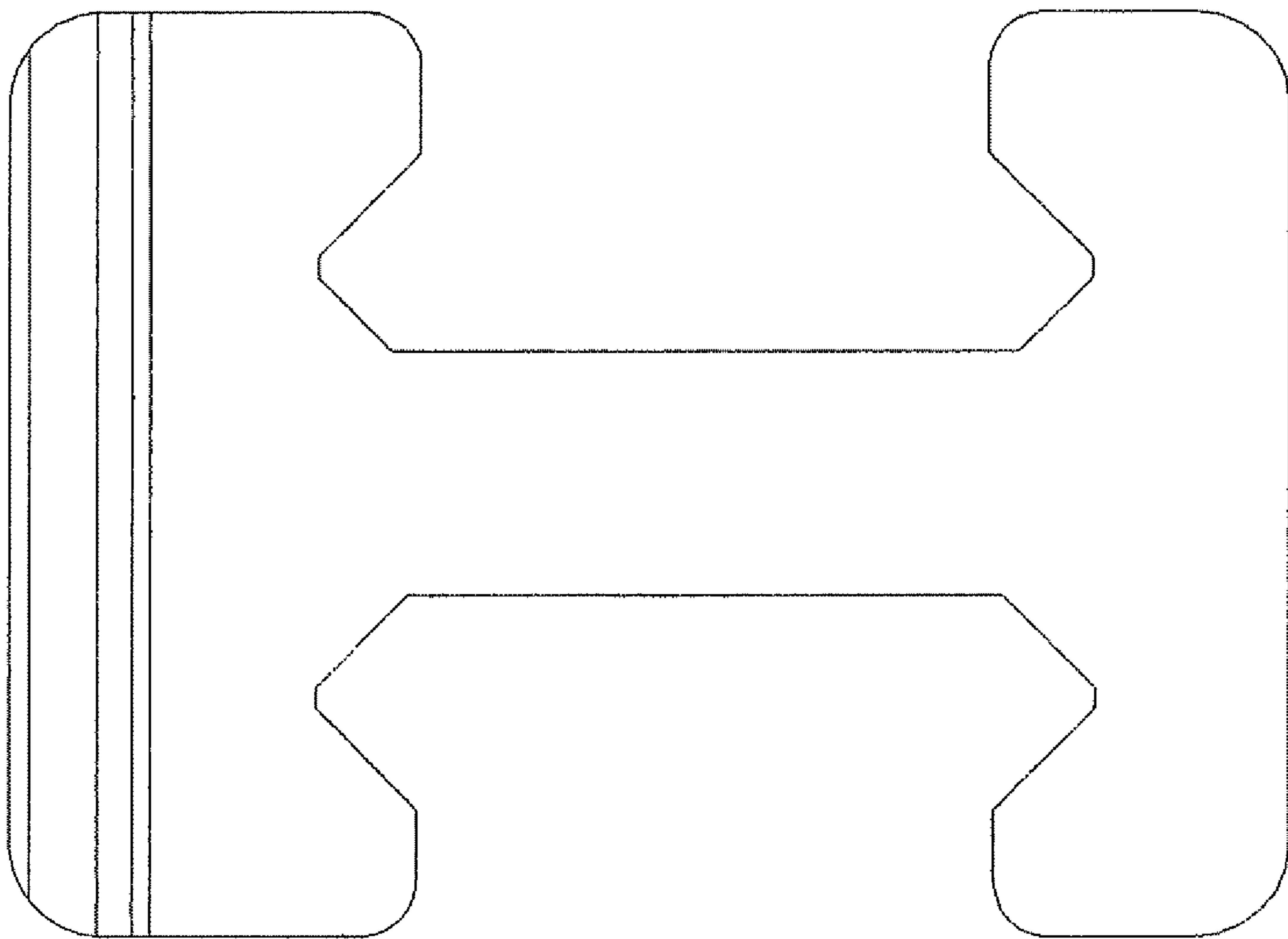


FIG. 6