



US00D654545S

(12) **United States Design Patent**
Richard

(10) **Patent No.:** **US D654,545 S**

(45) **Date of Patent:** **** Feb. 21, 2012**

(54) **ROLLING PUSH UP DEVICE**

(76) Inventor: **Elrid Richard**, Jacksonville, FL (US)

(**) Term: **14 Years**

(21) Appl. No.: **29/388,945**

(22) Filed: **Apr. 5, 2011**

(51) **LOC (9) Cl.** **21-02**

(52) **U.S. Cl.** **D21/662**

(58) **Field of Classification Search** D21/662,
D21/679, 680, 684, 686, 694; D24/211-215;
D8/90, 315-317; 482/8, 62, 91, 92, 123,
482/132, 141-142; 601/80, 113, 125
See application file for complete search history.

(56) **References Cited**

U.S. PATENT DOCUMENTS

3,809,393	A	5/1974	Jones	
D262,908	S *	2/1982	Pesco	D24/211
D273,708	S *	5/1984	Haug	D24/211
5,632,707	A	5/1997	Daniel et al.	
6,503,179	B2	1/2003	Miraflor	
6,942,605	B1	9/2005	Sukhovitsky	
D523,493	S *	6/2006	Horton	D21/662
D576,693	S *	9/2008	Khubani	D21/686
7,468,025	B2 *	12/2008	Hauser et al.	482/141

7,503,884	B1 *	3/2009	Schall	482/141
D593,168	S *	5/2009	Khubani	D21/662
D597,153	S *	7/2009	Friedman et al.	D21/662
D599,417	S	9/2009	Friedman et al.	
D631,106	S *	1/2011	Zemel	D21/662
7,896,788	B1 *	3/2011	Schall	482/141
7,909,746	B2 *	3/2011	Gant	482/141
8,016,732	B2 *	9/2011	Susnjara	482/142
2006/0014615	A1 *	1/2006	Godbold	482/141
2007/0184951	A1 *	8/2007	James et al.	482/141
2009/0298656	A1	12/2009	Dannenberg	
2010/0279833	A1 *	11/2010	Gant	482/141
2011/0065555	A1 *	3/2011	Moskowich	482/141

* cited by examiner

Primary Examiner — Susan E Krakower

(74) *Attorney, Agent, or Firm* — Kyle Fletcher

(57) **CLAIM**

I claim the ornamental design for the rolling push up device, as shown and described.

DESCRIPTION

FIG. 1 is a side view of the rolling push up device.

FIG. 2 is a front view of the claimed design.

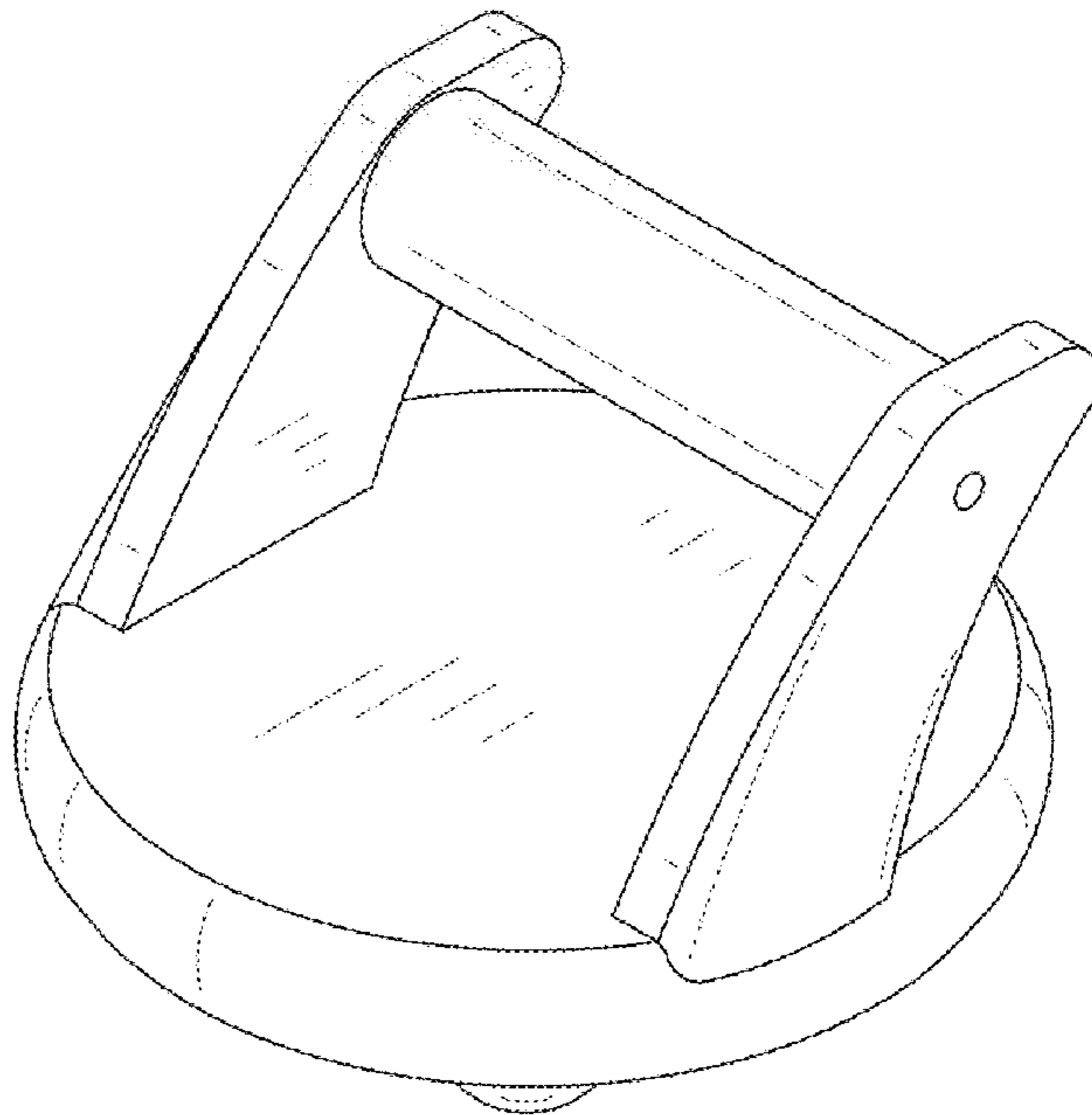
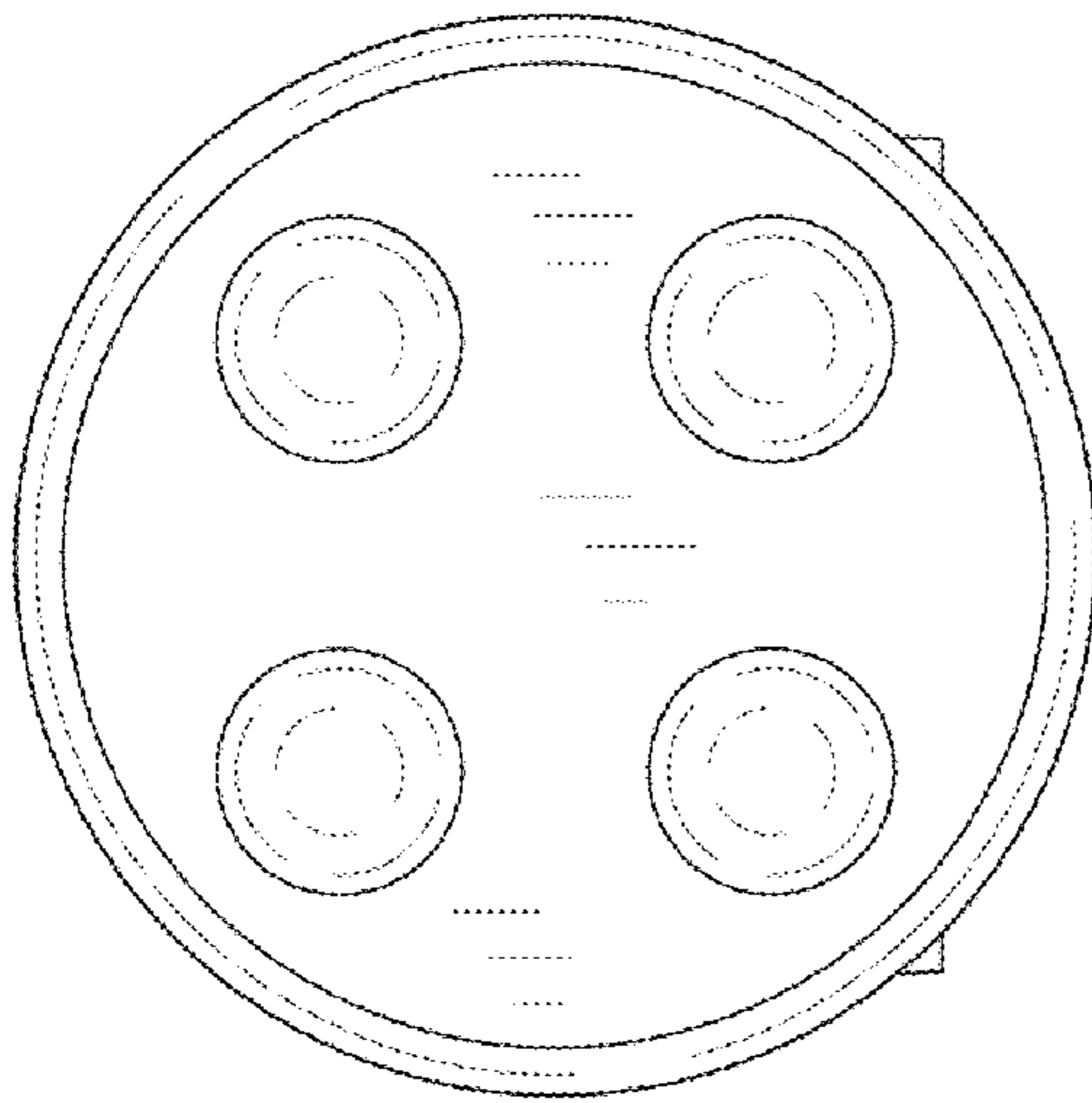
FIG. 3 is a rear view of the claimed design.

FIG. 4 is a top view of the claimed design.

FIG. 5 is a bottom view of the claimed design; and,

FIG. 6 is a perspective view of the claimed design.

1 Claim, 4 Drawing Sheets



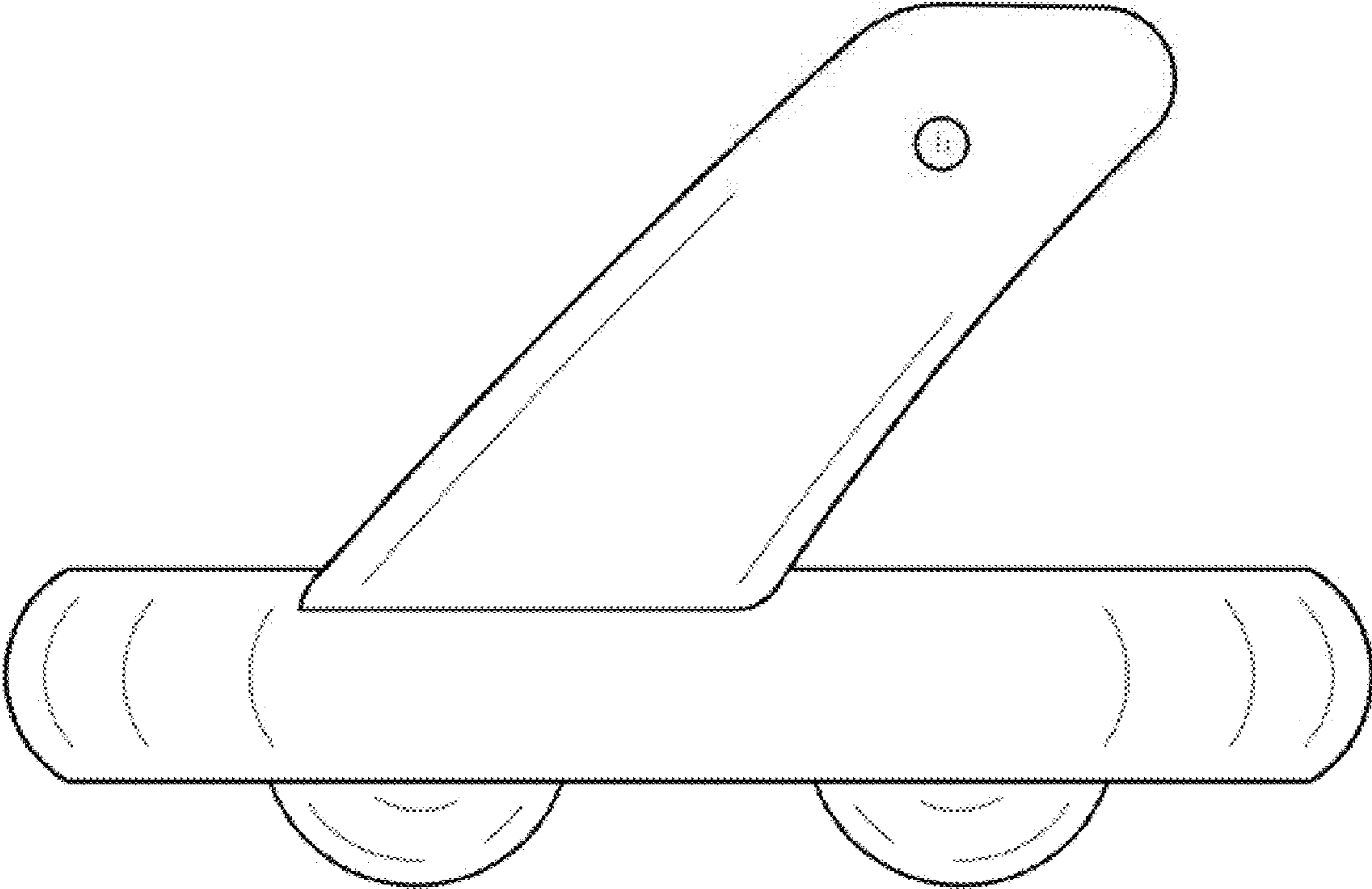


FIG. 1

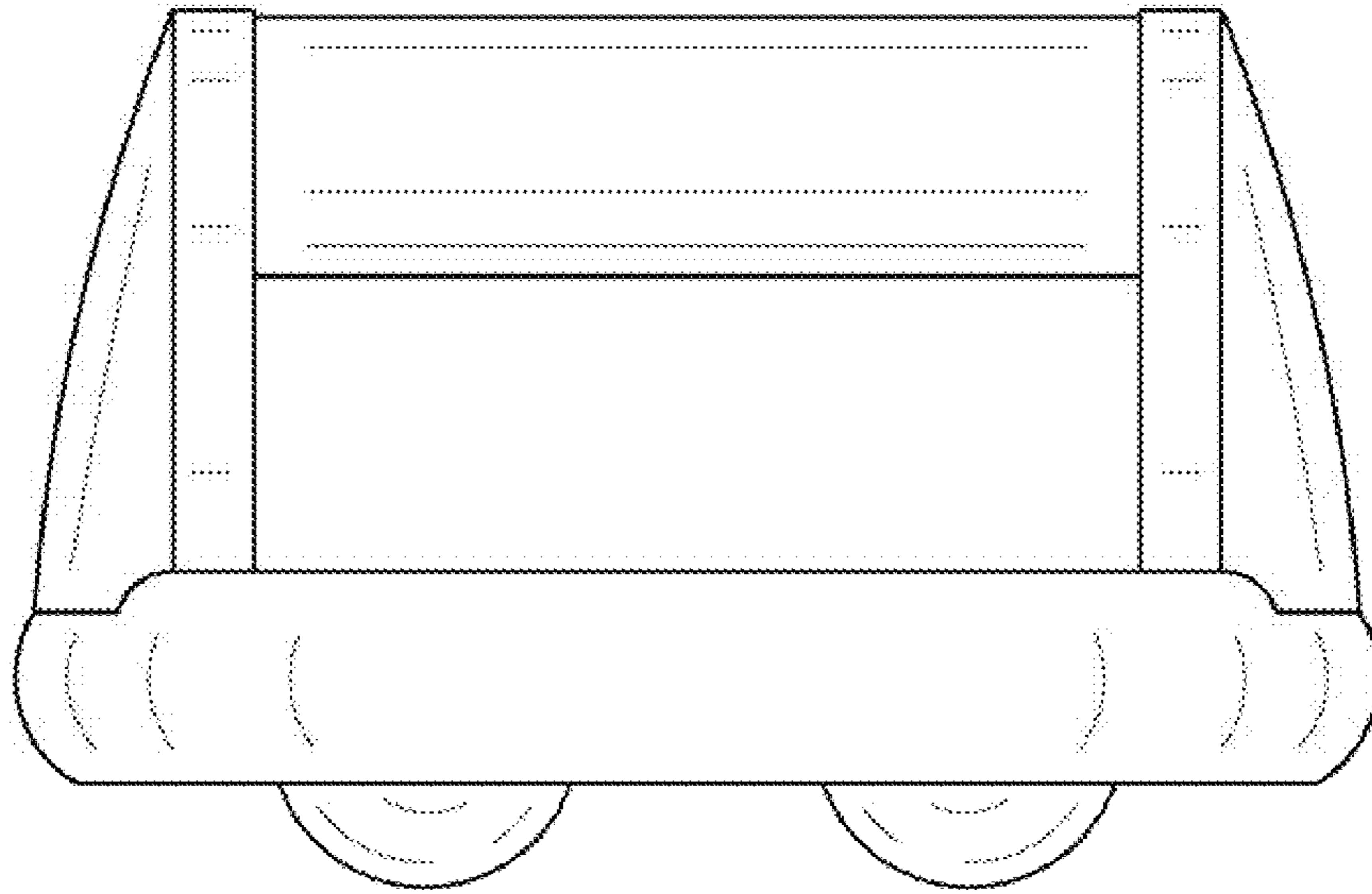


FIG. 2

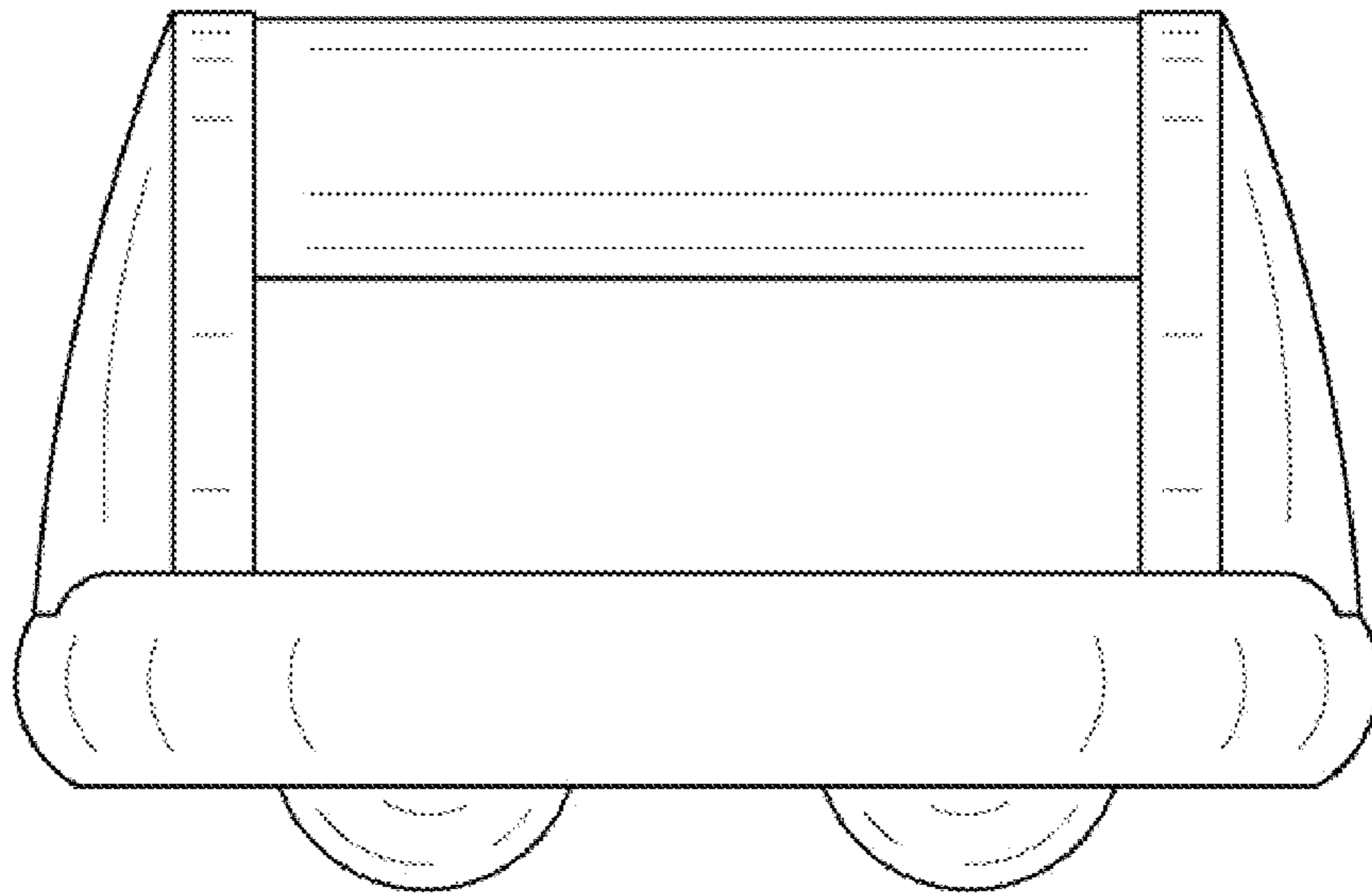


FIG. 3

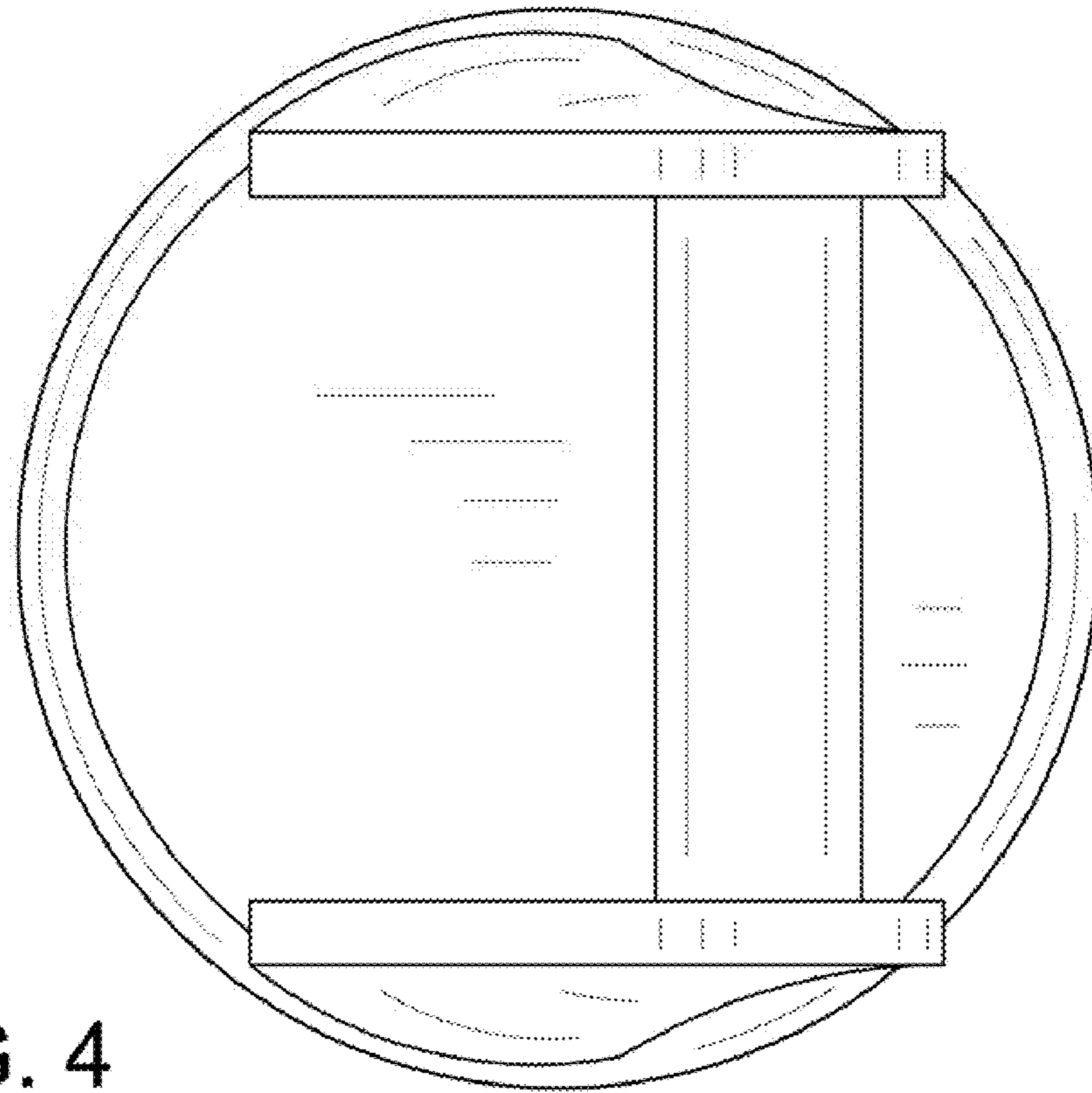


FIG. 4

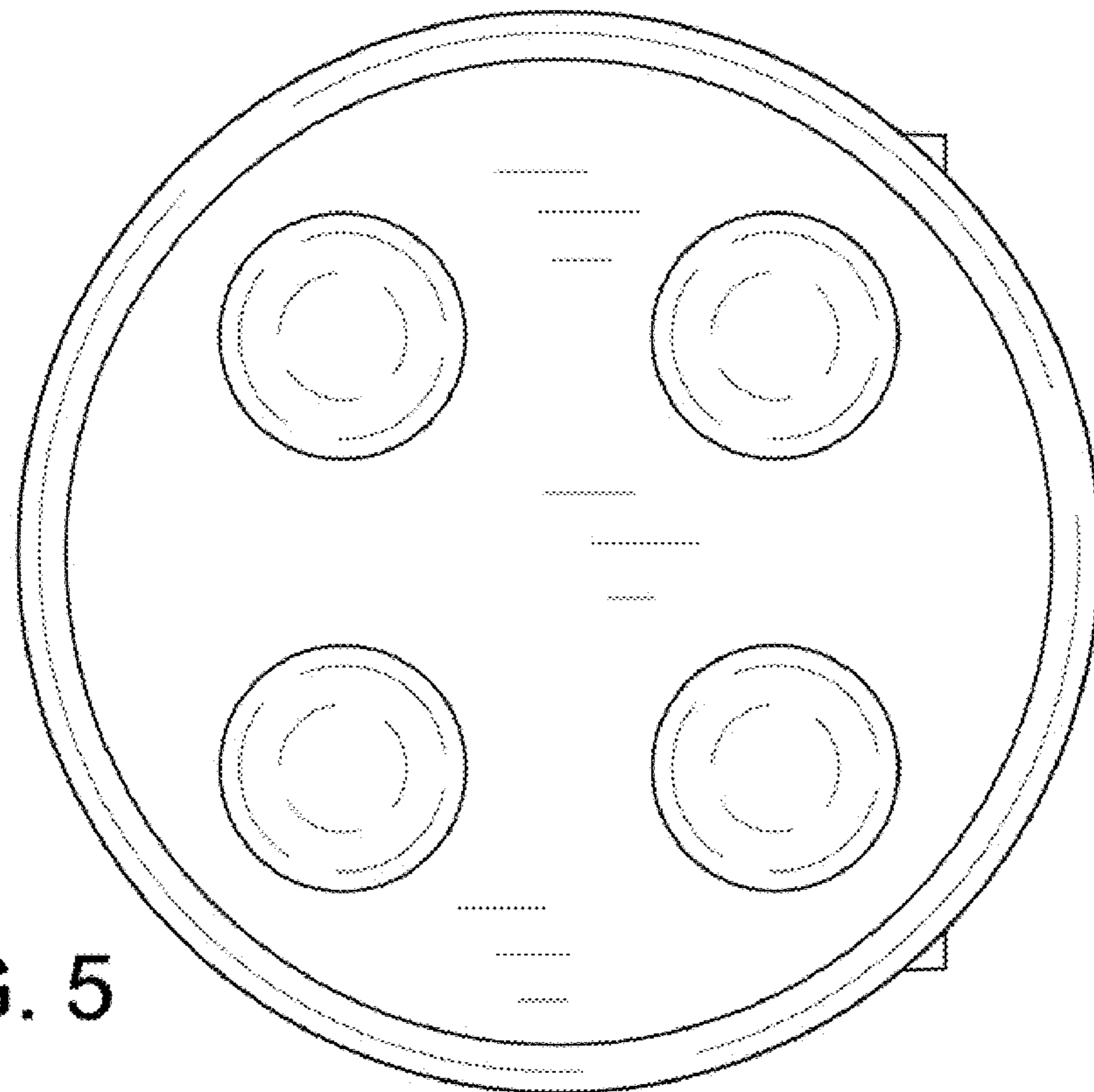


FIG. 5

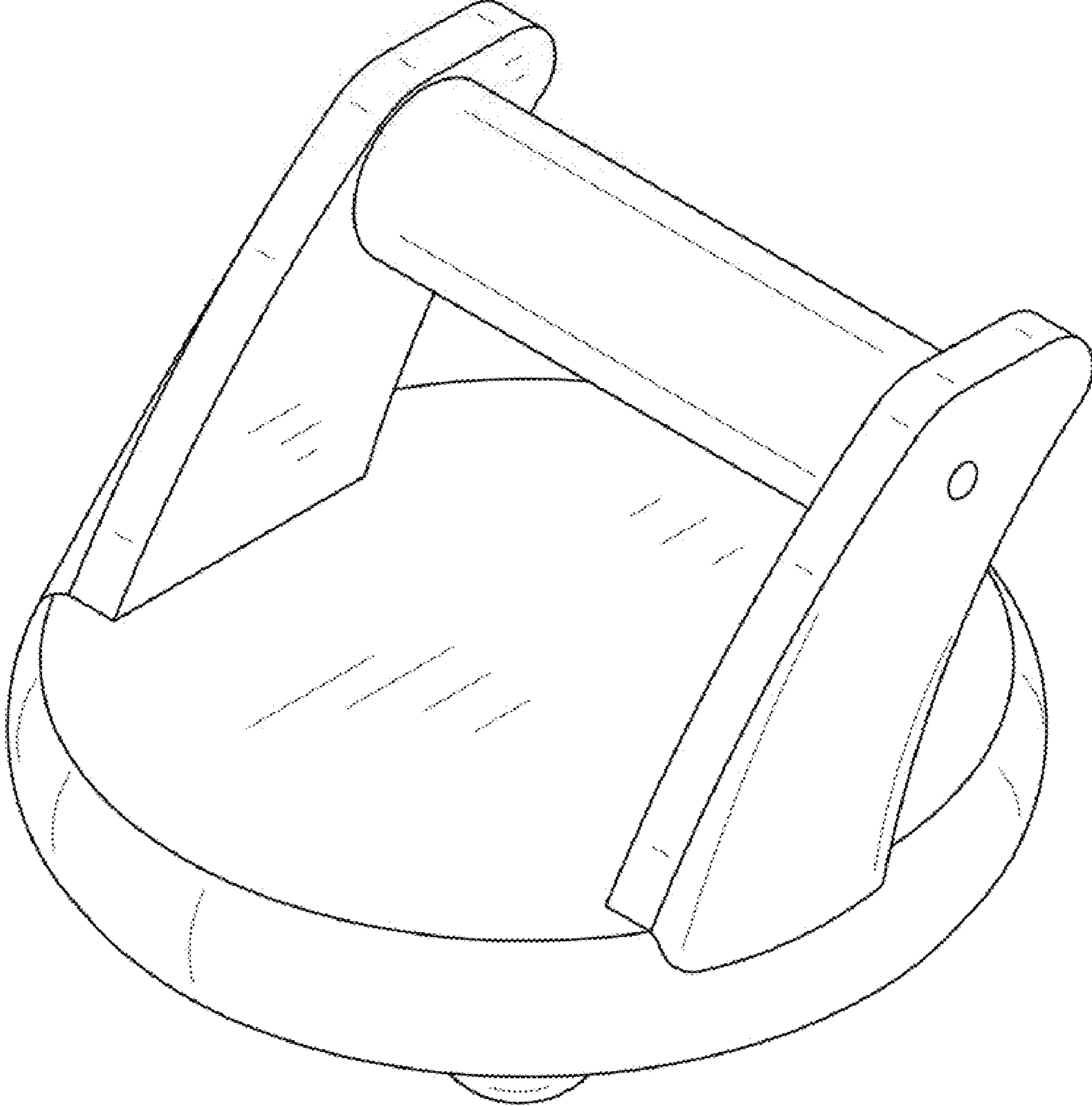


FIG. 6