



US00D654544S

(12) **United States Design Patent**
Sliemers

(10) **Patent No.:** **US D654,544 S**

(45) **Date of Patent:** **** Feb. 21, 2012**

(54) **ROLLING EXERCISE DEVICE**

(76) **Inventor:** **Stephen F. Sliemers**, Galloway, OH
(US)

(**) **Term:** **14 Years**

(21) **Appl. No.:** **29/381,253**

(22) **Filed:** **Dec. 16, 2010**

(51) **LOC (9) Cl.** **21-02**

(52) **U.S. Cl.** **D21/662; D21/679**

(58) **Field of Classification Search** D21/662,
D21/679, 680, 684, 686, 694; 482/91, 92,
482/95, 96, 104-110, 132, 141, 148

See application file for complete search history.

(56) **References Cited**

U.S. PATENT DOCUMENTS

239,810	A *	4/1881	Levi	24/707.3
1,385,642	A *	7/1921	Restein	482/108
1,824,920	A	9/1931	Novak		
2,920,418	A	1/1960	Britt		
3,114,550	A *	12/1963	Hughes	473/569
3,638,939	A *	2/1972	Langley	482/132
4,132,404	A *	1/1979	Wilson	482/132
4,339,127	A *	7/1982	Mitchell	482/132
4,595,197	A *	6/1986	Hagstrom et al.	482/132
4,610,448	A *	9/1986	Hill	482/141
D286,963	S *	12/1986	Waghorn	D6/549
4,892,305	A *	1/1990	Lynch	482/132
4,901,999	A *	2/1990	Schott	482/45
5,205,802	A	4/1993	Swisher		
5,632,707	A	5/1997	Daniel et al.		
5,897,469	A *	4/1999	Yalch	482/109
6,017,296	A *	1/2000	Tang et al.	482/132
D445,851	S *	7/2001	Larkins, Jr.	D21/662
6,450,928	B1 *	9/2002	Larkins, Jr.	482/110
6,837,837	B2	1/2005	Nethery		
D520,575	S *	5/2006	Diakonov et al.	D21/679

7,094,182	B1 *	8/2006	Holten	482/46
7,094,186	B2 *	8/2006	Diakonov et al.	482/104
D532,465	S *	11/2006	Mills et al.	D21/680
D535,336	S *	1/2007	Diakonov et al.	D21/679
7,621,858	B2	11/2009	Sheron		
7,862,486	B1 *	1/2011	Watson	482/106
7,896,788	B1 *	3/2011	Schall	482/141

(Continued)

Primary Examiner — Susan E Krakower

(74) *Attorney, Agent, or Firm* — QuickPatents, Inc.; Kevin Prince

(57) **CLAIM**

The ornamental design for a rolling exercise device, as shown and described.

DESCRIPTION

FIG. 1 is an exploded perspective view of a rolling exercise device, showing the new design;

FIG. 2 is an enlarged front elevational view of a rolling base thereof, shown separately for ease of illustration;

FIG. 3 is a rear elevational view of FIG. 2;

FIG. 4 is a left-side elevational view of FIG. 2, the right-side elevational view being a mirror image thereof;

FIG. 5 is a top plan view of FIG. 2;

FIG. 6 is a bottom plan view of FIG. 2;

FIG. 7 is an enlarged perspective view of a connecting bar of the design, shown separately for ease of illustration;

FIG. 8 is a left-side elevational view of FIG. 7, the right-side elevational view being a mirror image thereof;

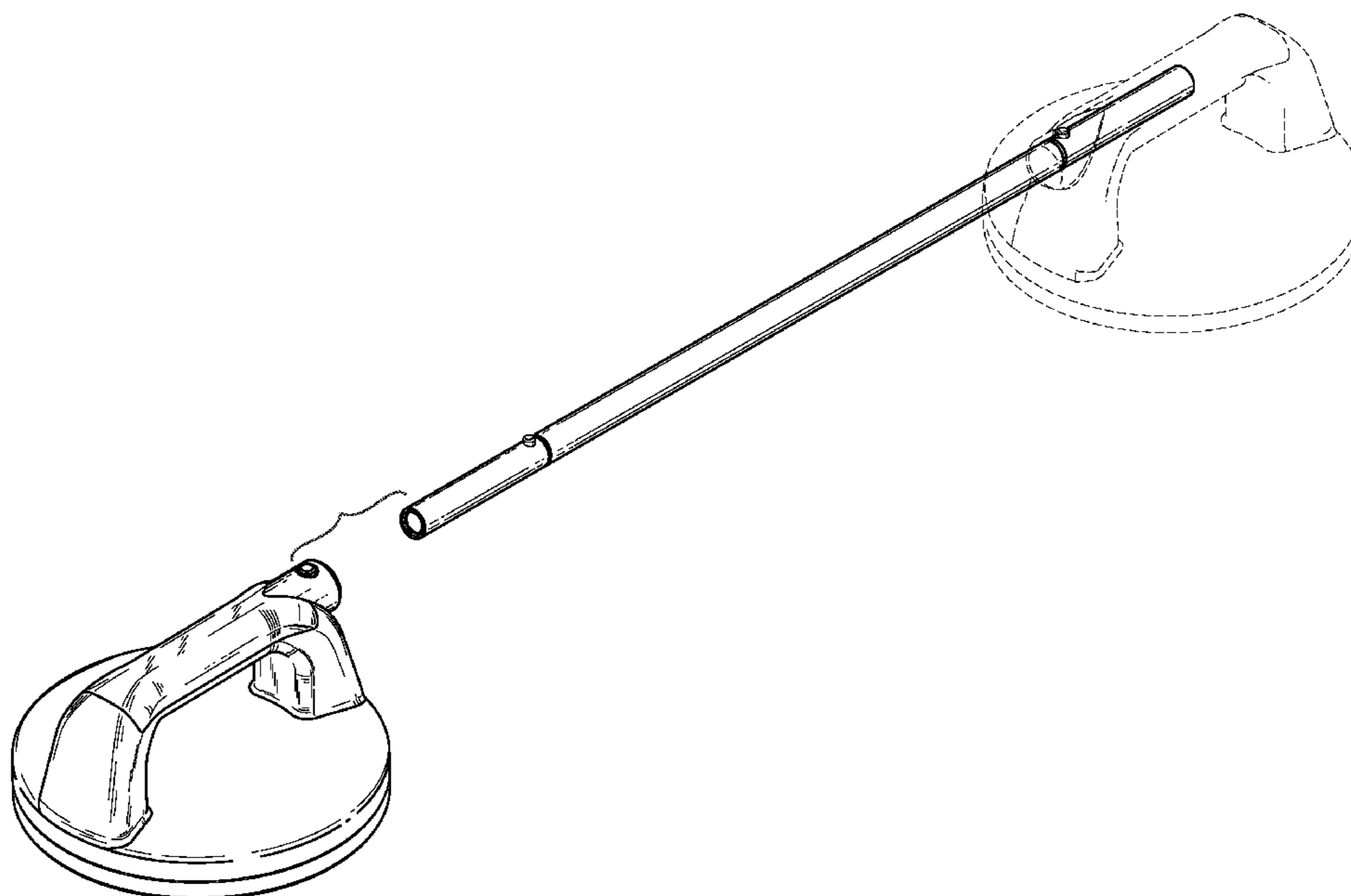
FIG. 9 is a top plan view of FIG. 7;

FIG. 10 is a bottom plan view of FIG. 7; and,

FIG. 11 is an enlarged front elevational view of FIG. 7, the rear elevational view being a mirror image thereof.

The broken lines illustrate portions of the rolling exercise device which form no part of the claimed design.

1 Claim, 7 Drawing Sheets



US D654,544 S

Page 2

U.S. PATENT DOCUMENTS

7,935,039 B2 * 5/2011 Dannenberg 482/141
2005/0085352 A1 * 4/2005 Baxter 482/100
2009/0298656 A1 12/2009 Dannenberg

2010/0004103 A1 1/2010 Yang
2010/0130337 A1 5/2010 Stewart

* cited by examiner

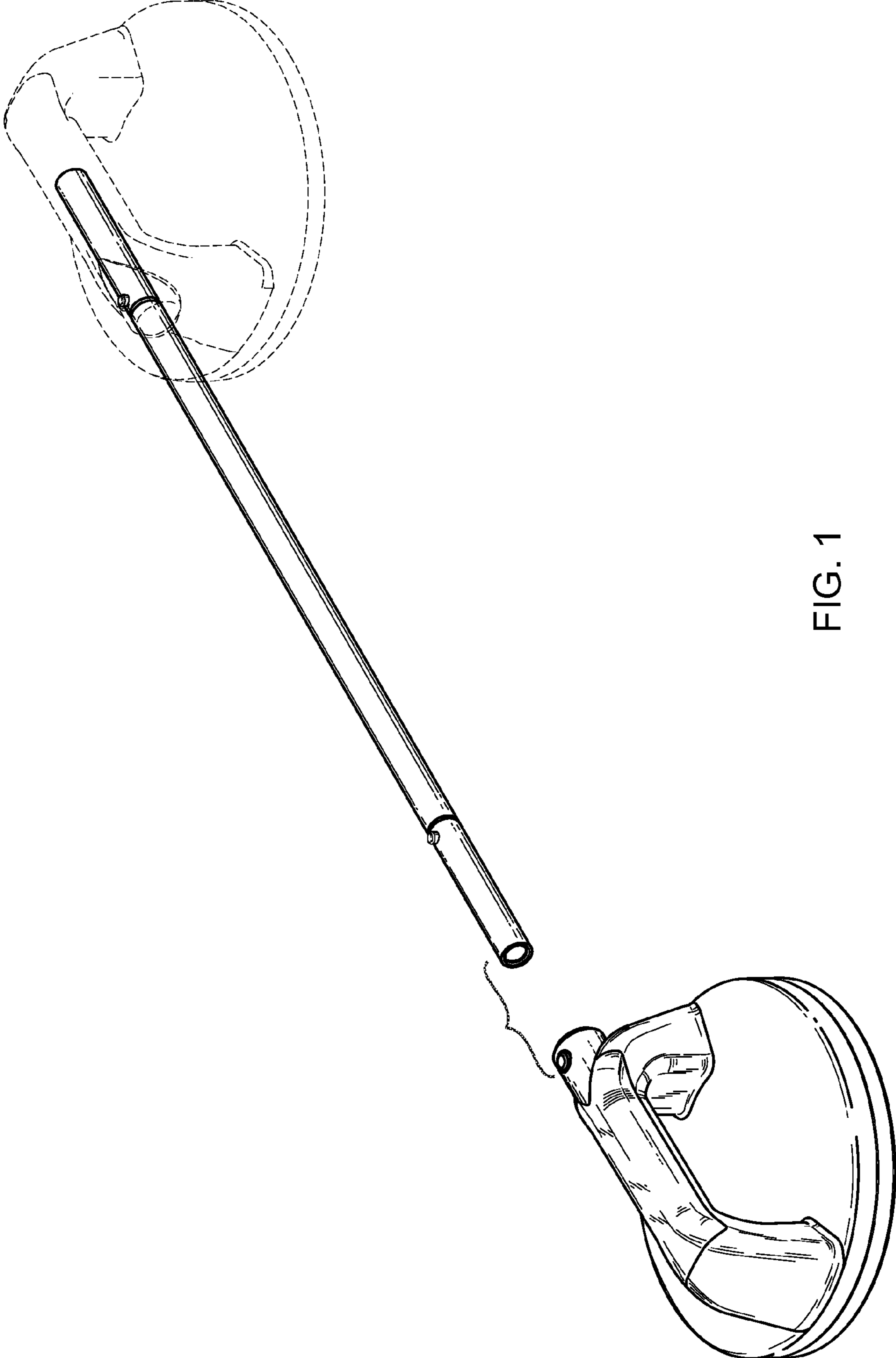


FIG. 1

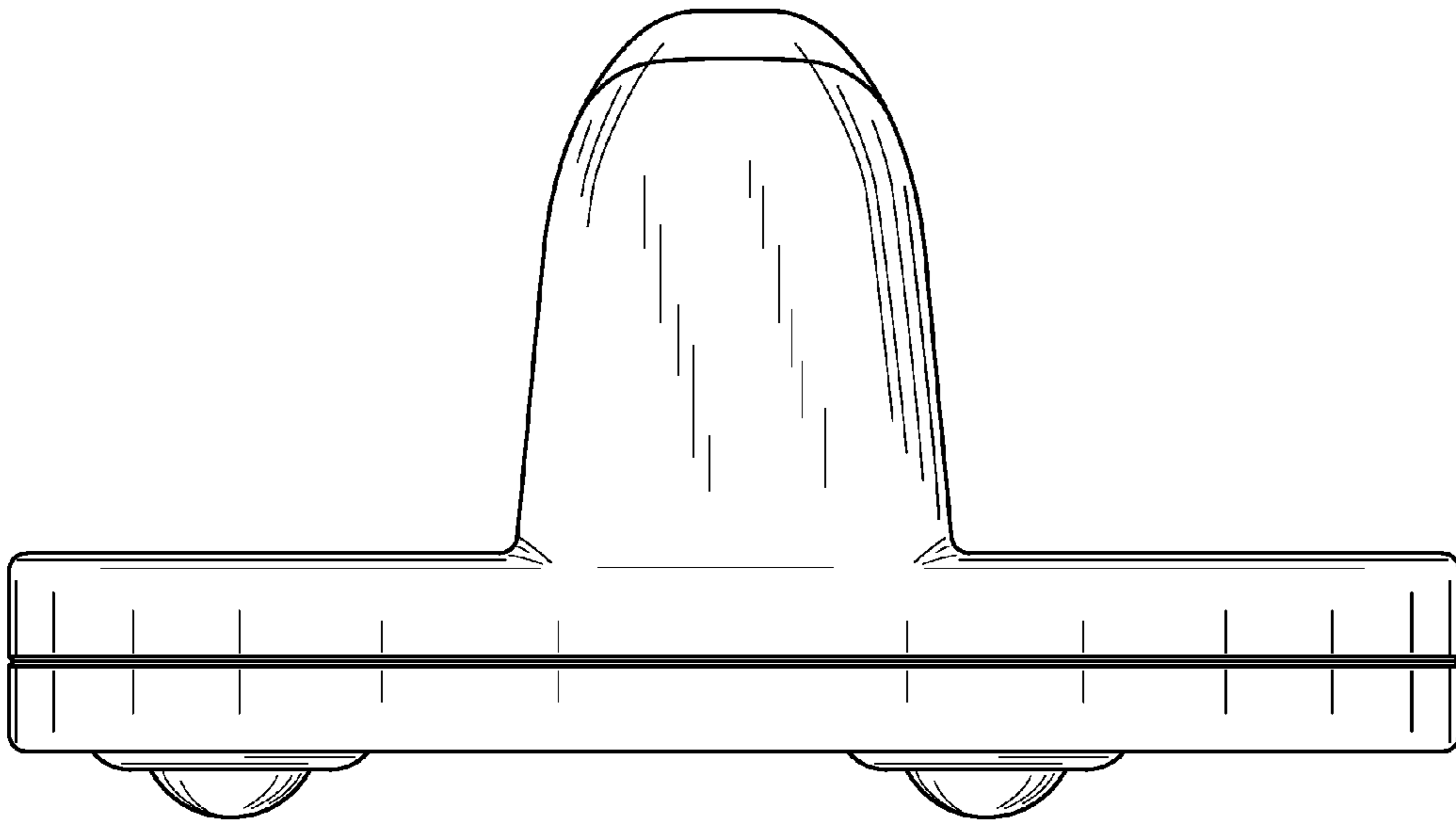


FIG. 2

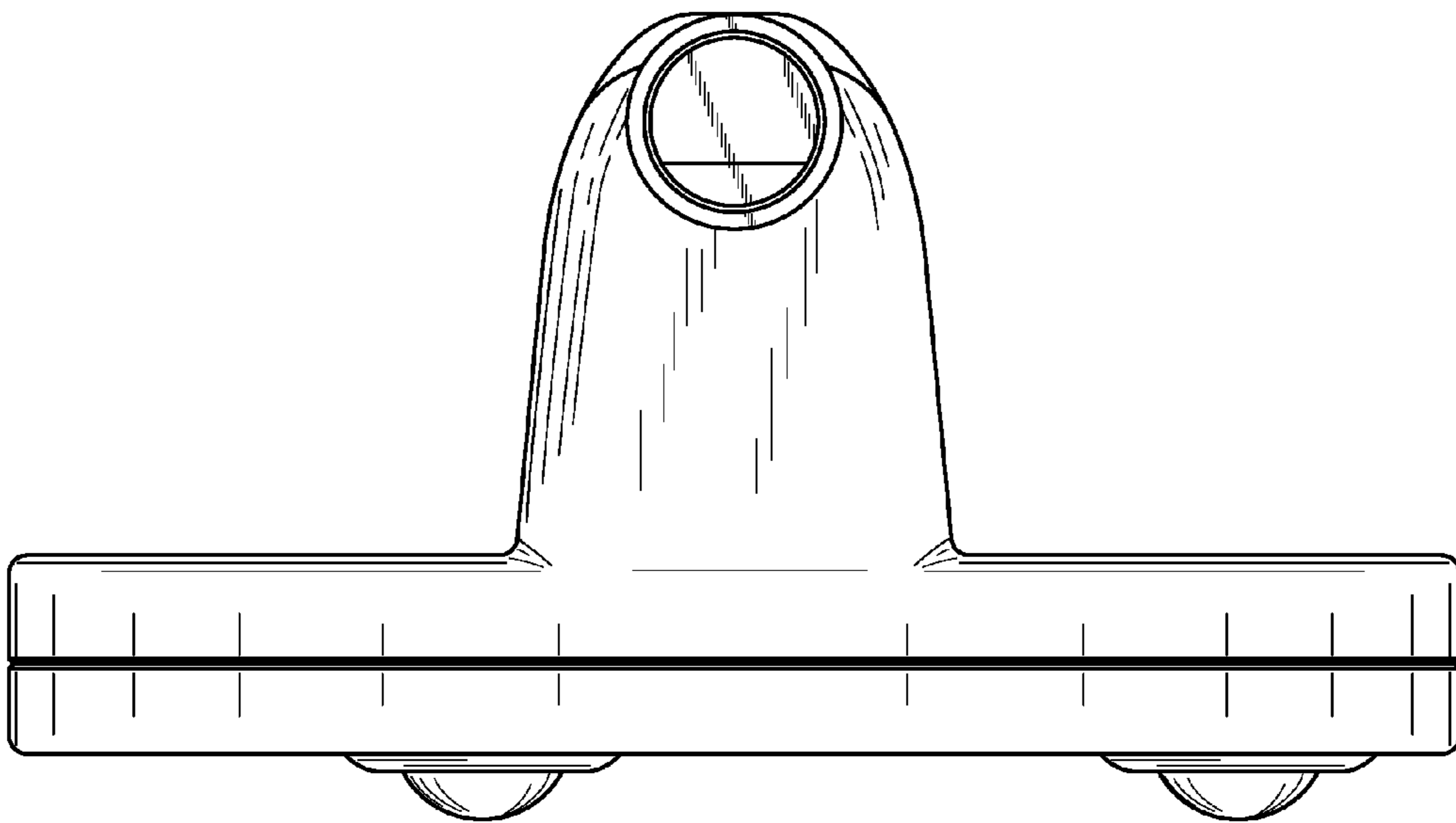


FIG. 3

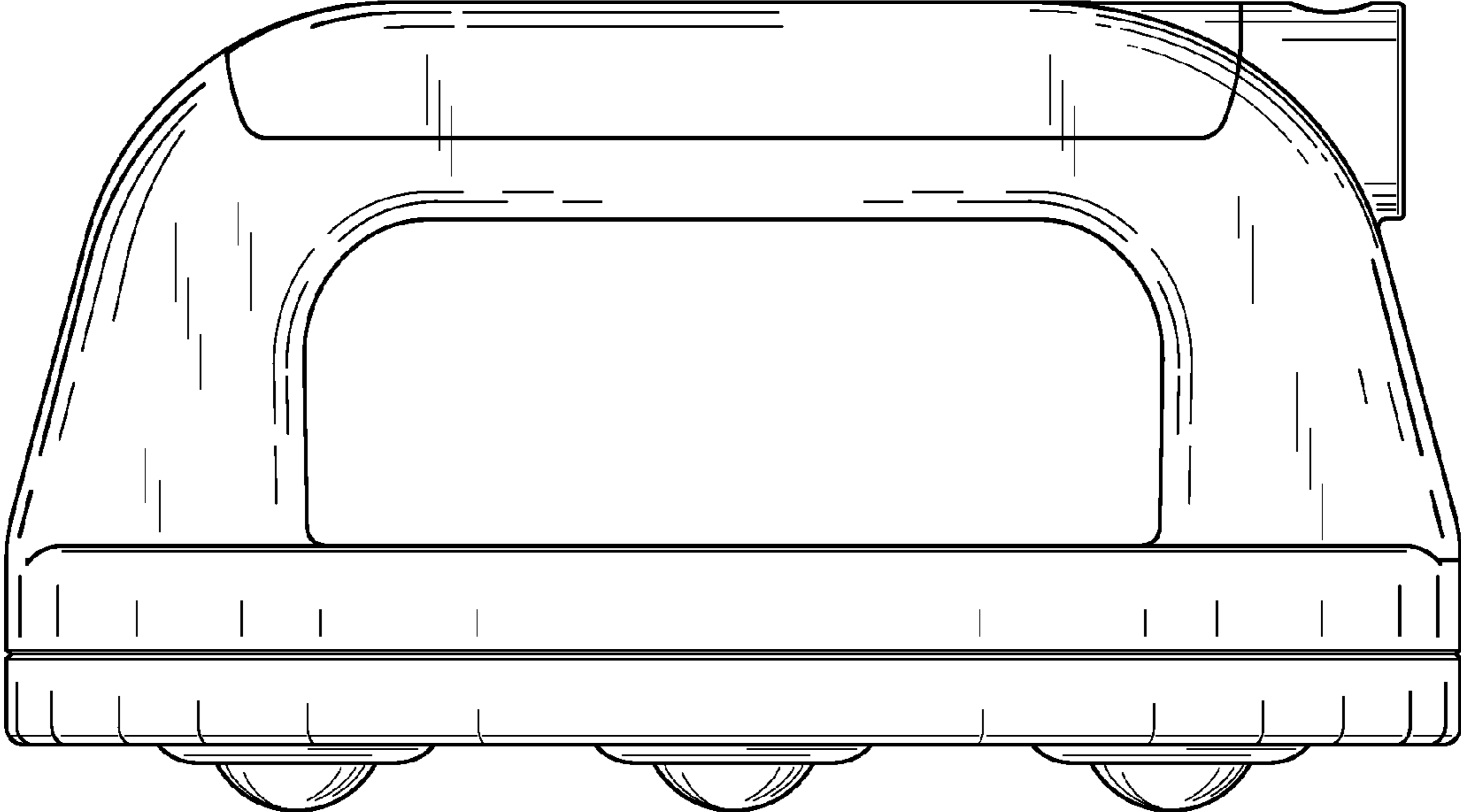


FIG. 4

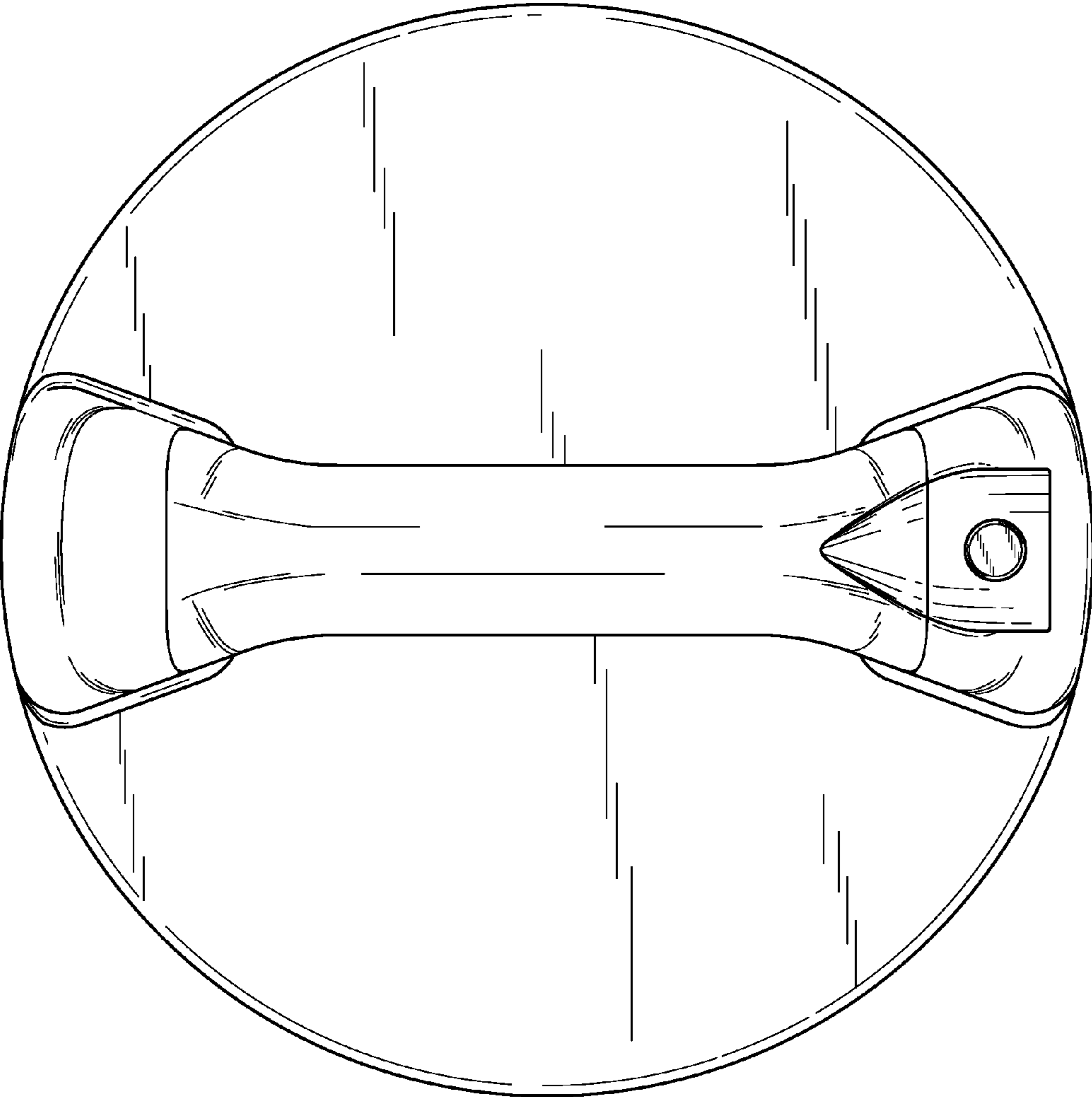


FIG. 5

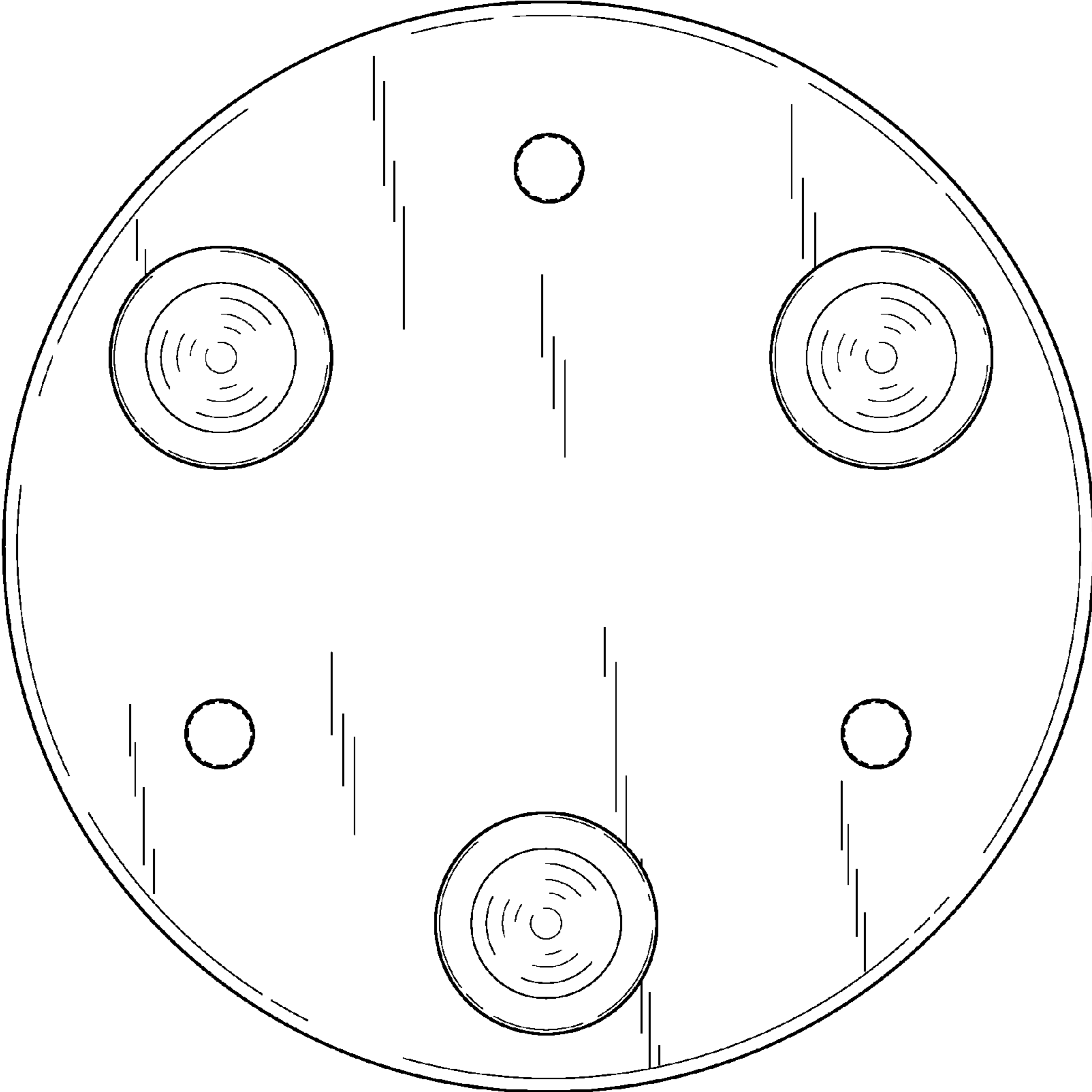


FIG. 6

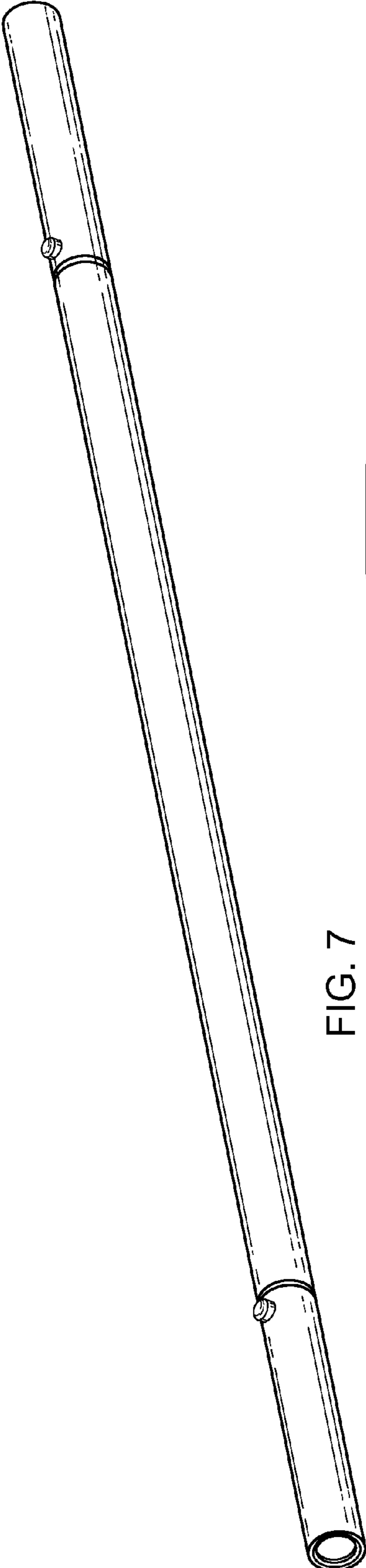


FIG. 7

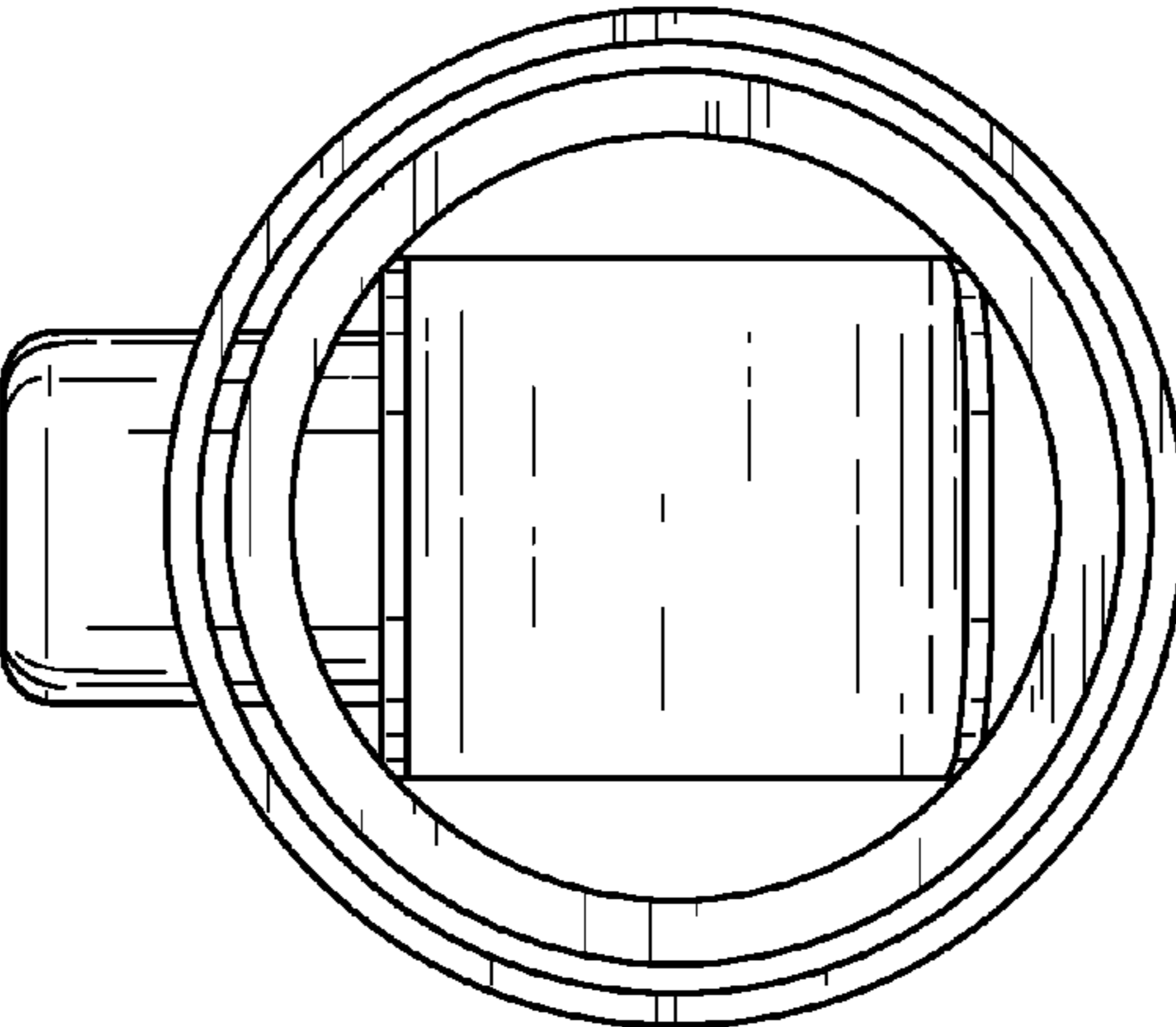


FIG. 11



FIG. 8



FIG. 9



FIG. 10