



US00D654543S

(12) **United States Design Patent**
Kono et al.

(10) **Patent No.:** **US D654,543 S**

(45) **Date of Patent:** **** Feb. 21, 2012**

(54) **RADIO REMOTE CONTROL UNIT**

(75) Inventors: **Toru Kono**, Chiba (JP); **Makoto Migita**, Tokyo (JP)

(73) Assignee: **Futaba Corporation**, Chiba-Ken (JP)

(**) Term: **14 Years**

(21) Appl. No.: **29/388,359**

(22) Filed: **Mar. 28, 2011**

(30) **Foreign Application Priority Data**

Sep. 30, 2010 (JP) 2010-023469

(51) **LOC (9) Cl.** **21-01**

(52) **U.S. Cl.** **D21/566**

(58) **Field of Classification Search** D21/324,
D21/329, 333, 434, 552, 559, 560, 566; D14/400,
D14/401, 454, 217, 218, 358, 155; D13/158,
D13/169; D12/98; 463/6, 7, 37, 38, 39,
463/46, 47; 345/156; 446/454-456; 300/315,
300/329, 332, 335, 339, 457, 533
See application file for complete search history.

(56) **References Cited**

U.S. PATENT DOCUMENTS

D390,613 S * 2/1998 Kanetsuna et al. D21/566
D411,265 S * 6/1999 Kanetsuna et al. D21/566
D464,684 S * 10/2002 Arai et al. D21/566

D481,080 S * 10/2003 Arai et al. D21/566
D513,045 S * 12/2005 Yuen D21/566
D516,137 S * 2/2006 Yuen D21/566
D525,320 S * 7/2006 Noguchi D21/566
D563,487 S * 3/2008 Takahashi D21/566
D573,666 S * 7/2008 Idiot D21/566

* cited by examiner

Primary Examiner — Cynthia M Chin

(74) *Attorney, Agent, or Firm* — Quarles & Brady LLP

(57) **CLAIM**

We claim the ornamental design for a radio remote control unit, as shown and described.

DESCRIPTION

FIG. 1 is a top and front side perspective view of a radio remote control unit showing our new design; FIG. 2 is a top and rear side perspective view thereof; FIG. 3 is a front elevational view thereof; FIG. 4 is a rear elevational view thereof; FIG. 5 is a right side elevational view thereof; FIG. 6 is a left side elevational view thereof; FIG. 7 is a top plan view thereof; and, FIG. 8 is a bottom plan view thereof.

The evenly dashed broken line representation of items in the figures is included for the purpose of illustrating the unclaimed portions of the article and forms no part of the claimed design.

1 Claim, 7 Drawing Sheets

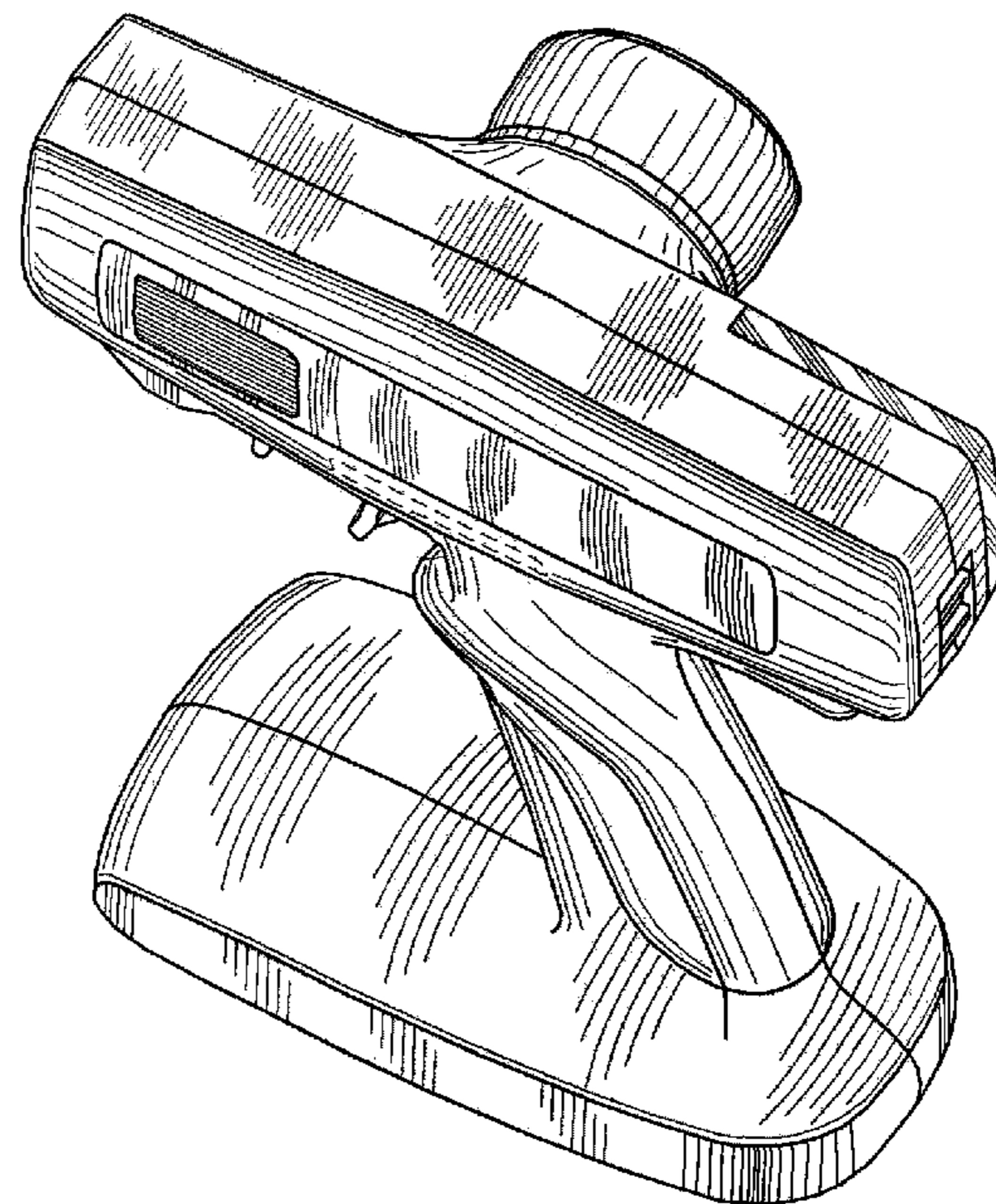
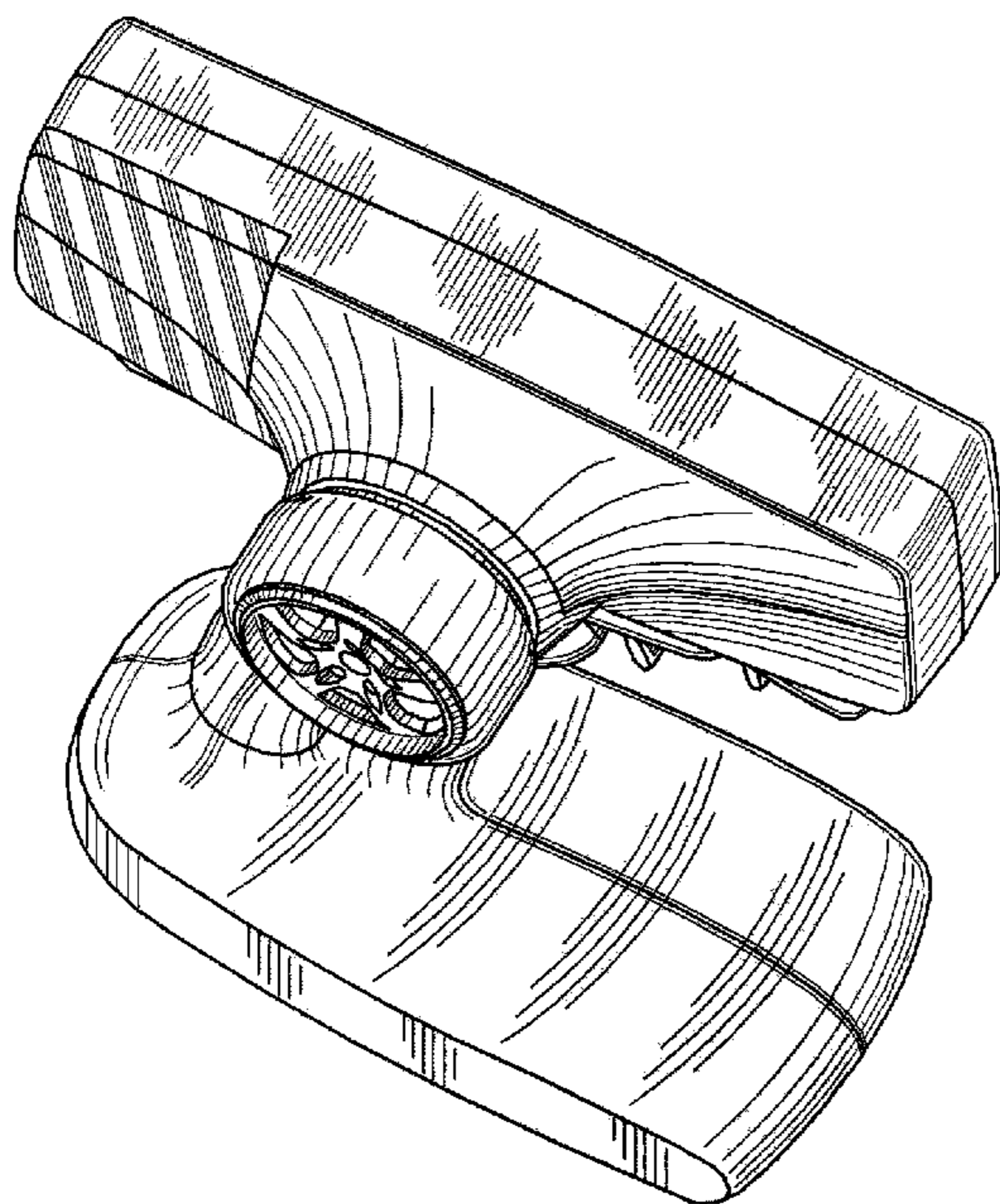


FIG. 1

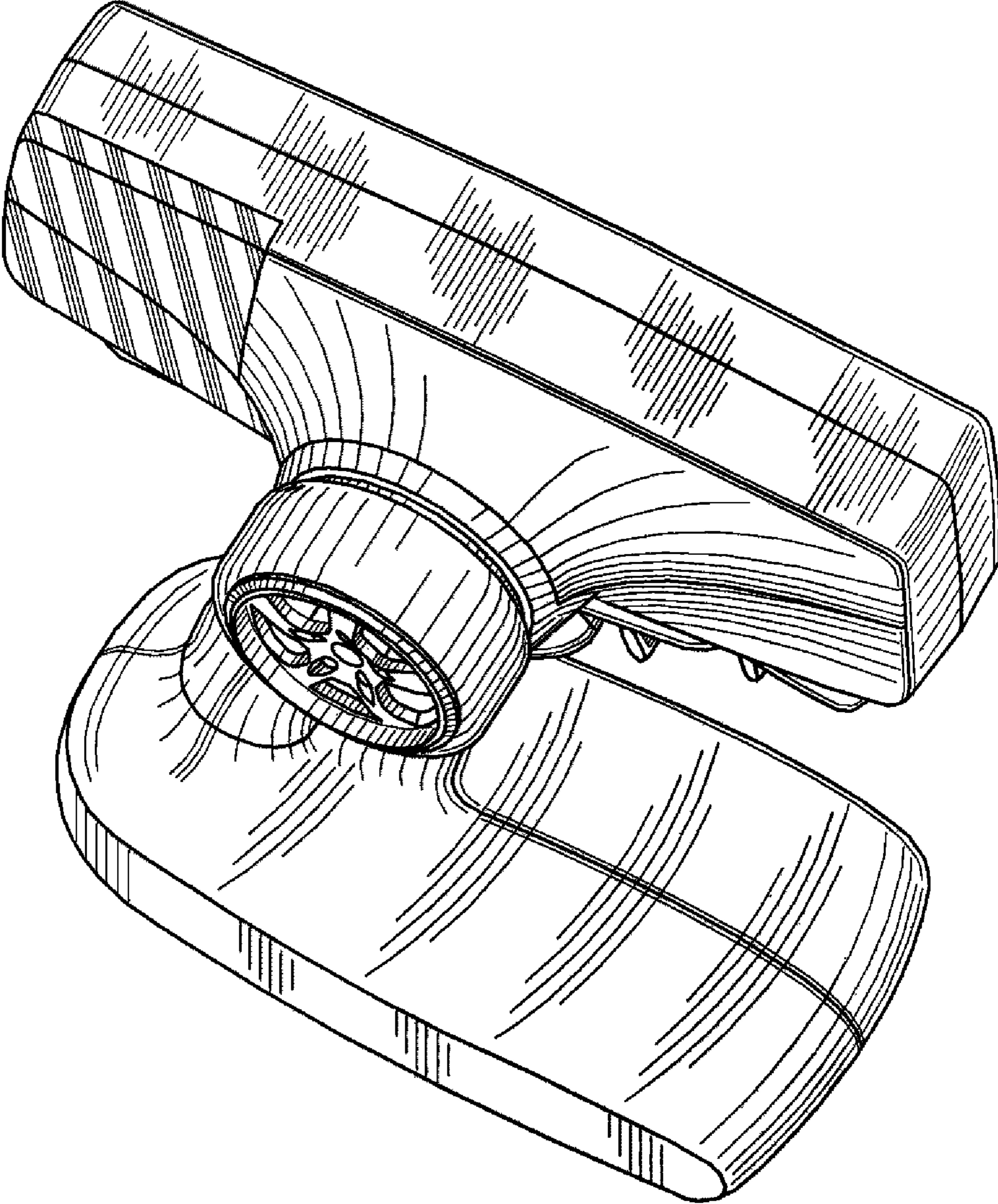


FIG. 2

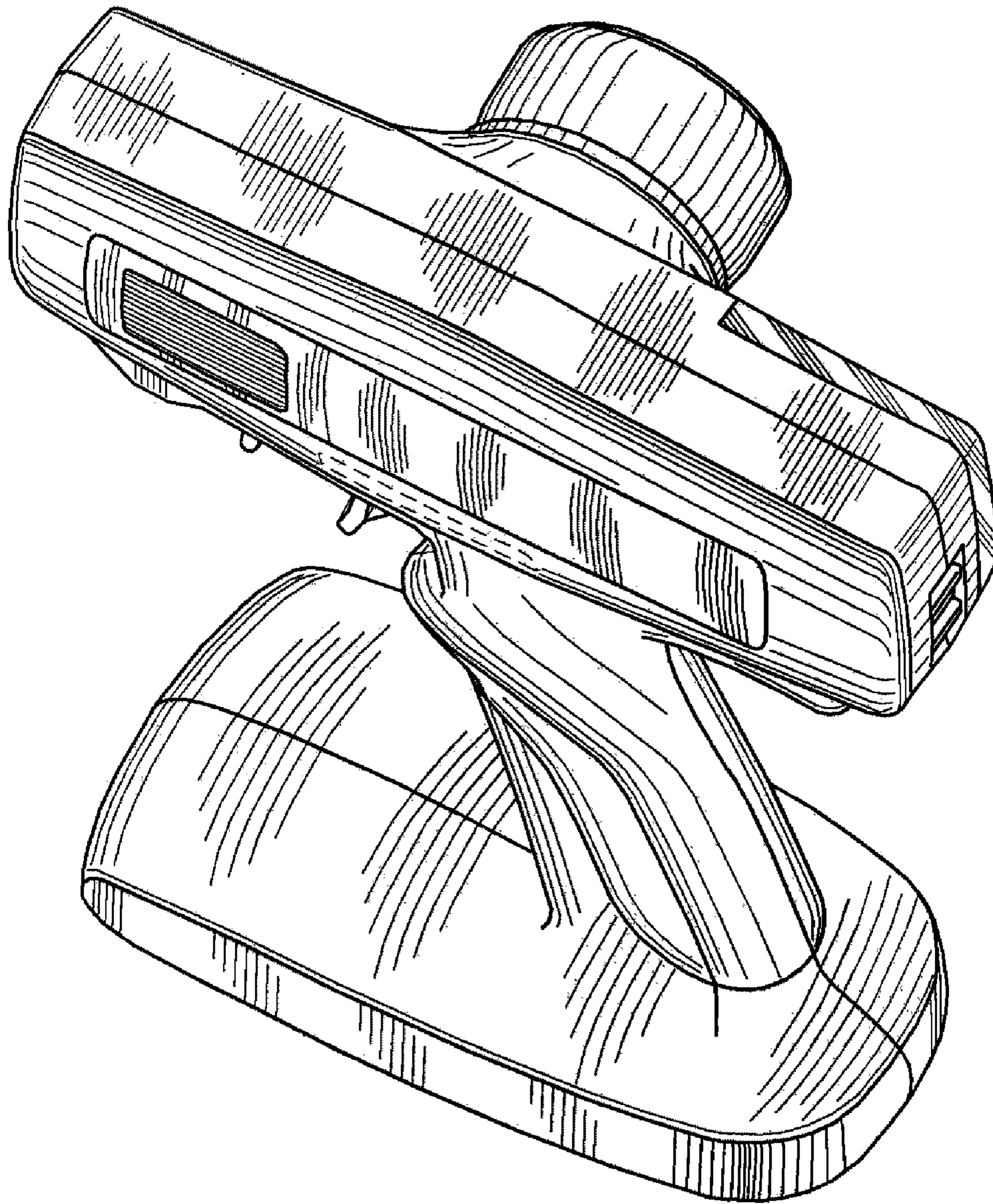


FIG. 3

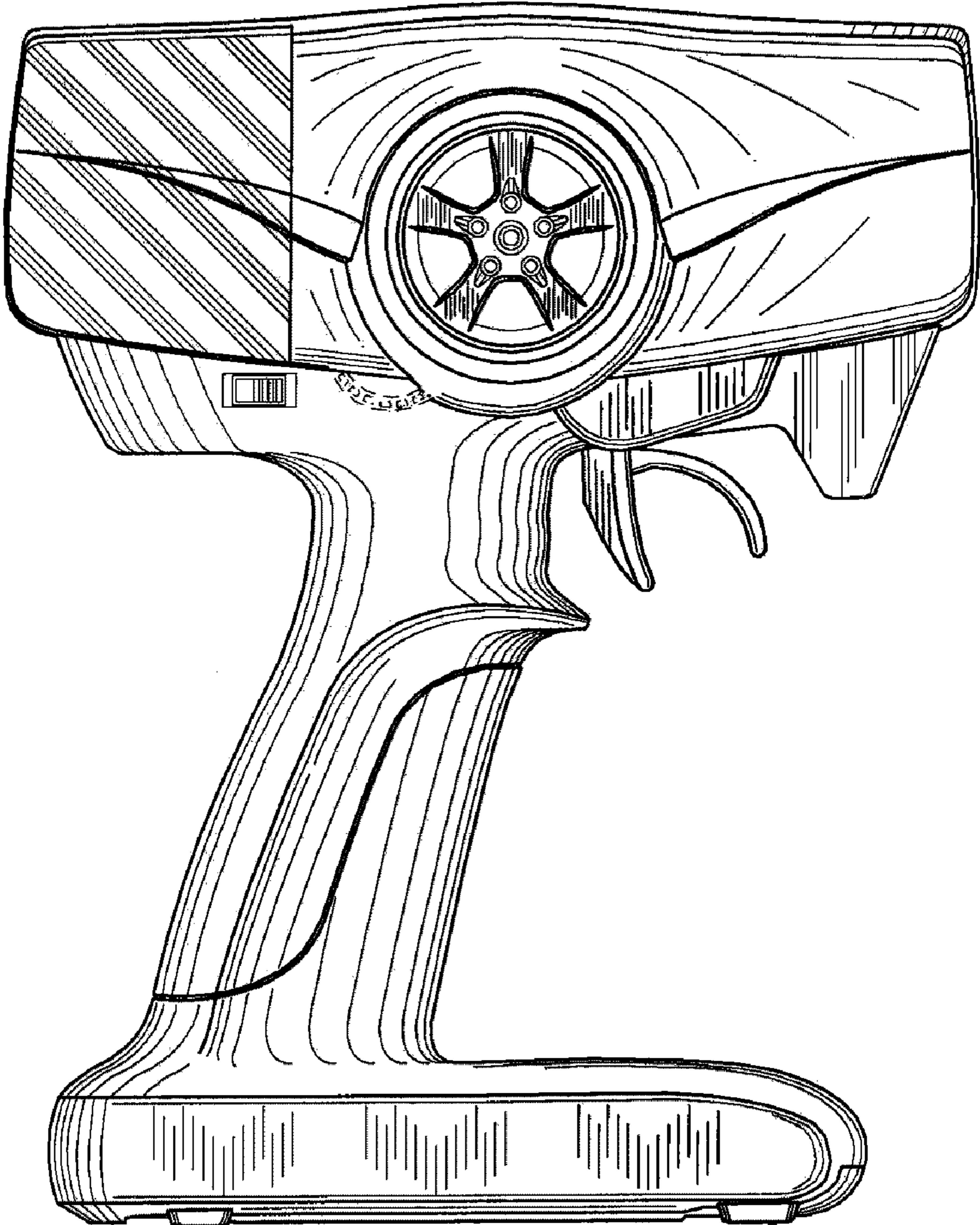


FIG. 4

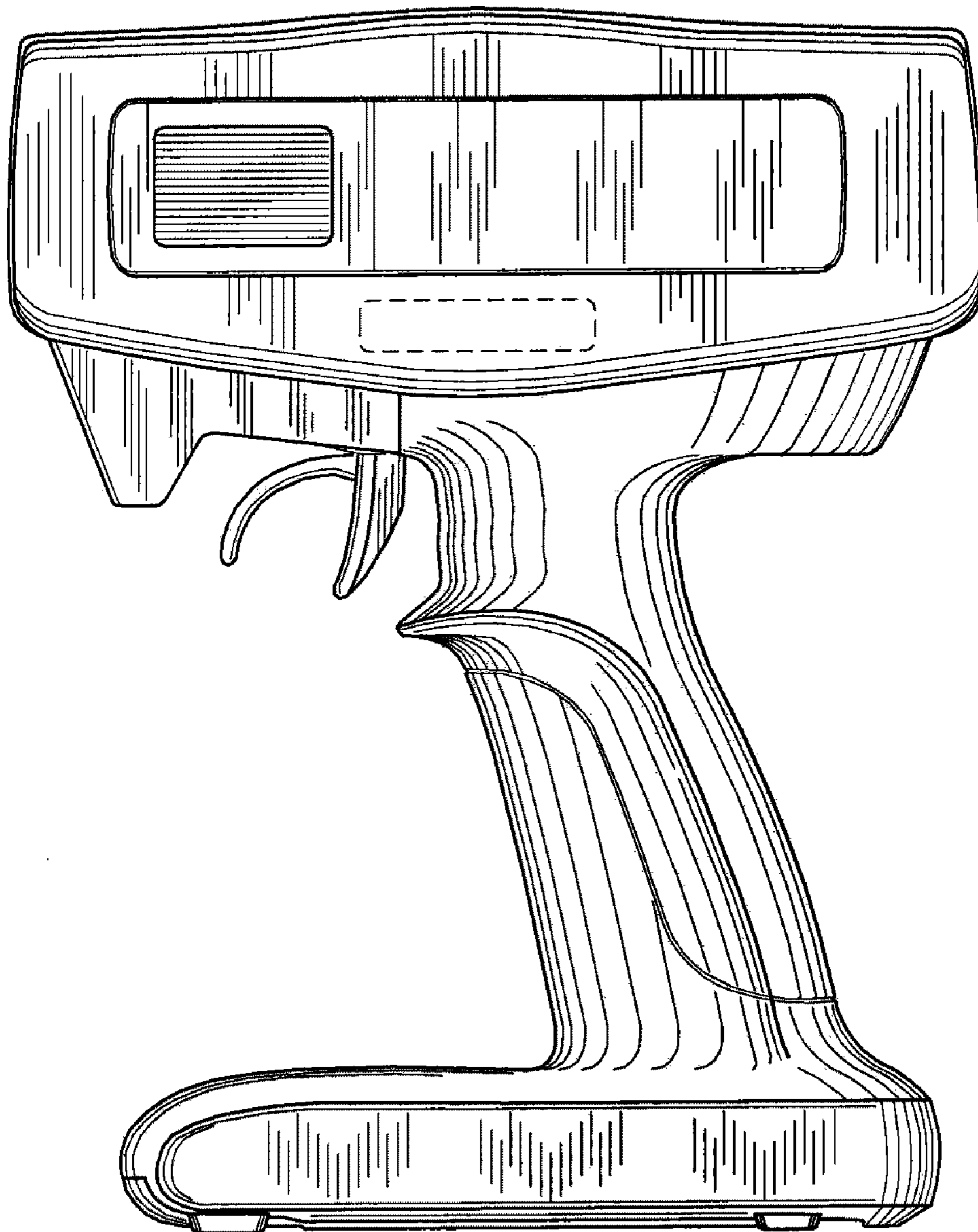


FIG. 5

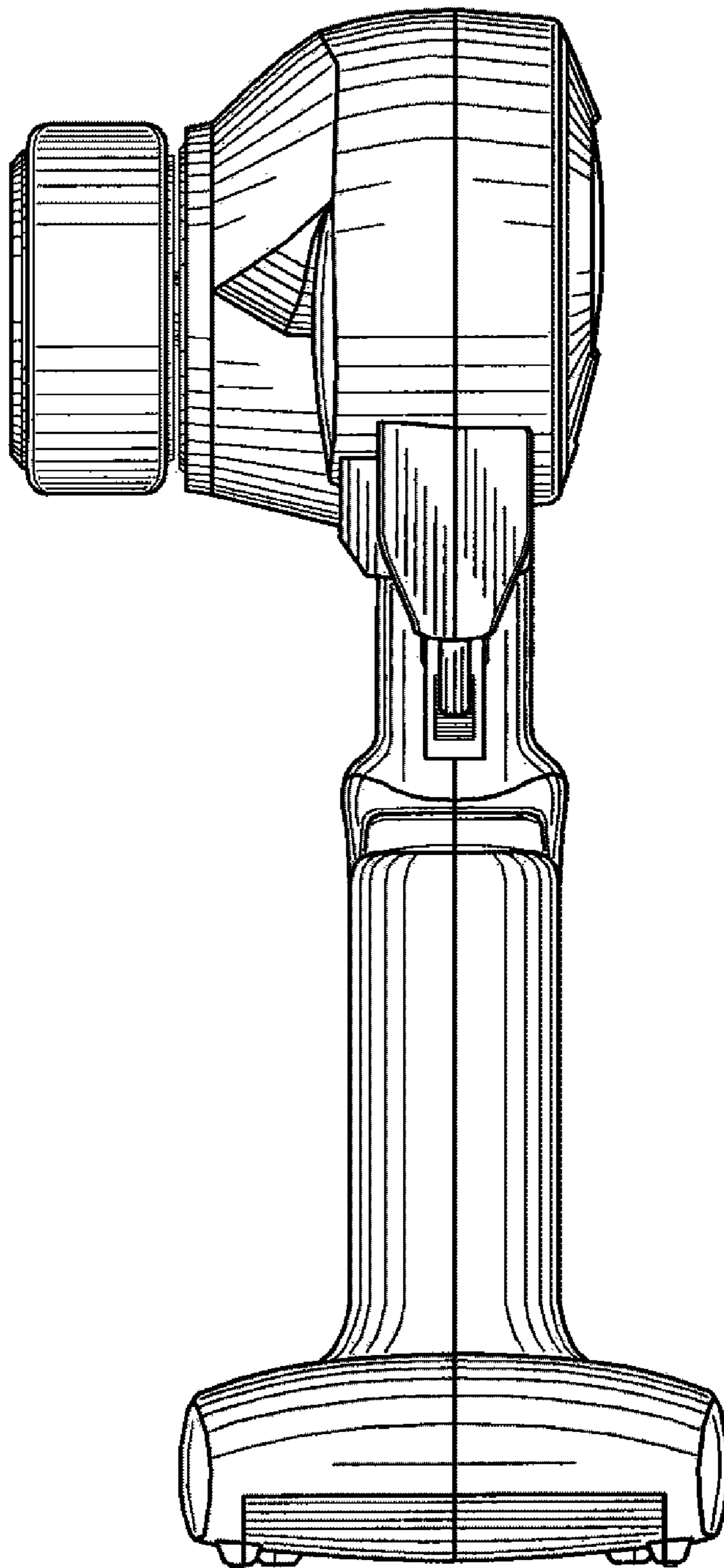


FIG. 6

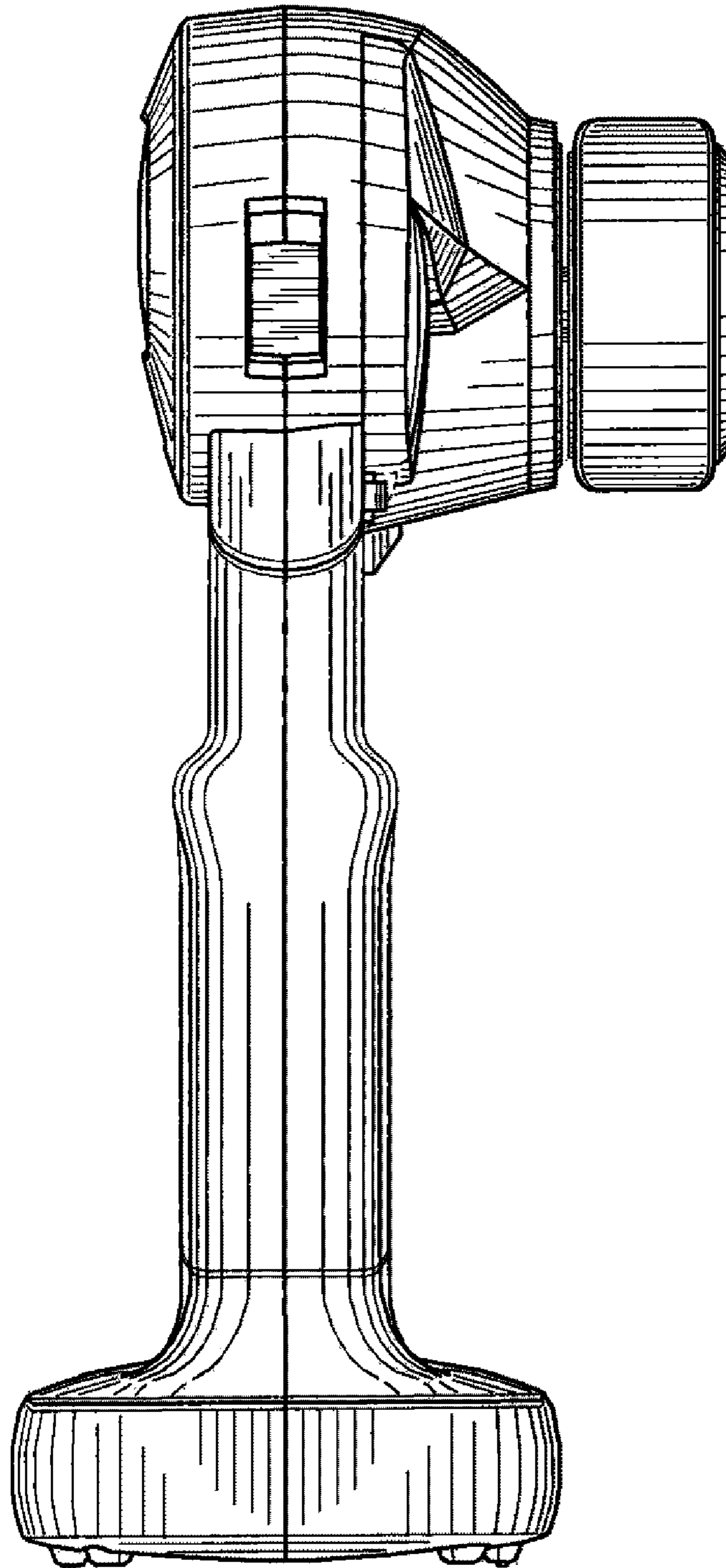


FIG. 7

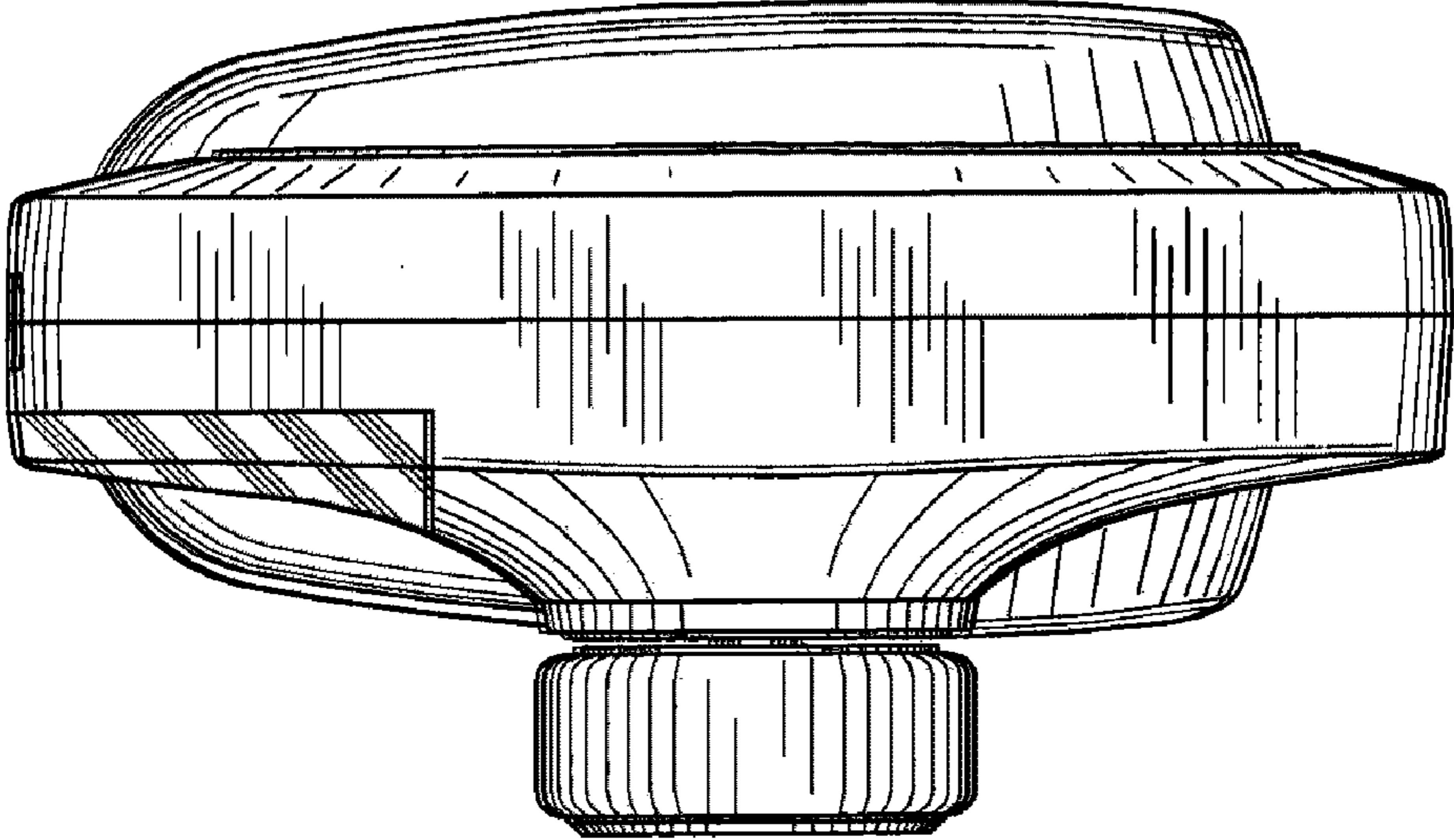


FIG. 8

