



US00D654542S

(12) **United States Design Patent**
Chiu et al.

(10) **Patent No.:** **US D654,542 S**

(45) **Date of Patent:** **** Feb. 21, 2012**

(54) **SCOOTER**

(76) Inventors: **Po-Lin Chiu**, Kaohsiung (TW);
Ching-Piao Chang, Kaohsiung (TW)

(**) Term: **14 Years**

(21) Appl. No.: **29/393,218**

(22) Filed: **Jun. 1, 2011**

(51) **LOC (9) Cl.** **21-01**

(52) **U.S. Cl.** **D21/423**

(58) **Field of Classification Search** D21/419,
D21/421, 423, 426-428, 435, 597, 650, 760,
D21/765, 771, 803; D12/1, 8, 108, 112,
D12/113; 280/8, 14.21, 14.25, 14.26, 87.041,
280/87.042, 200, 214, 220, 221, 239, 263,
280/288.1, 288.2, 288.4, 809; 180/180, 181
See application file for complete search history.

(56) **References Cited**

U.S. PATENT DOCUMENTS

| | | | | | |
|-----------|------|---------|-----------------|-------|------------|
| 4,088,338 | A * | 5/1978 | Winchell et al. | | 280/220 |
| D291,211 | S * | 8/1987 | Man | | D21/423 |
| 4,776,604 | A * | 10/1988 | Valdez et al. | | 280/87.041 |
| 6,467,781 | B1 * | 10/2002 | Feng | | 280/87.01 |
| D495,374 | S * | 8/2004 | Chuang | | D21/423 |
| D495,758 | S * | 9/2004 | Chuang | | D21/423 |
| D497,957 | S * | 11/2004 | Chuang | | D21/423 |

| | | | | | |
|-----------|------|--------|---------------|-------|------------|
| D569,448 | S * | 5/2008 | Sramek et al. | | D21/423 |
| 7,681,895 | B2 * | 3/2010 | Chen | | 280/87.041 |
| 7,926,825 | B2 * | 4/2011 | Chen | | 280/87.043 |

* cited by examiner

Primary Examiner — Cynthia M Chin

(74) *Attorney, Agent, or Firm* — Rosenberg, Klein & Lee

(57) **CLAIM**

The ornamental design for a scooter, as shown and described.

DESCRIPTION

The file of this Patent contains at least one Drawing Figure executed in color. Copies of the Patent with color Drawings will be provided by the Patent and Trademark Office upon request and payment of the necessary fee.

FIG. 1 is a perspective view showing the scooter;
FIG. 2 is a right-side perspective view showing the scooter;
FIG. 3 left-side perspective view showing the scooter;
FIG. 4 is a front perspective view showing the scooter;
FIG. 5 is a back perspective view showing the scooter;
FIG. 6 is a top view showing the scooter;
FIG. 7 is a bottom view showing the scooter;
FIG. 8 is a perspective view showing the scooter being folded;
and,
FIG. 9 is a perspective view showing the scooter being half-folded.

1 Claim, 8 Drawing Sheets
(8 of 8 Drawing Sheet(s) Filed in Color)





Fig. 1



Fig. 2



Fig. 3

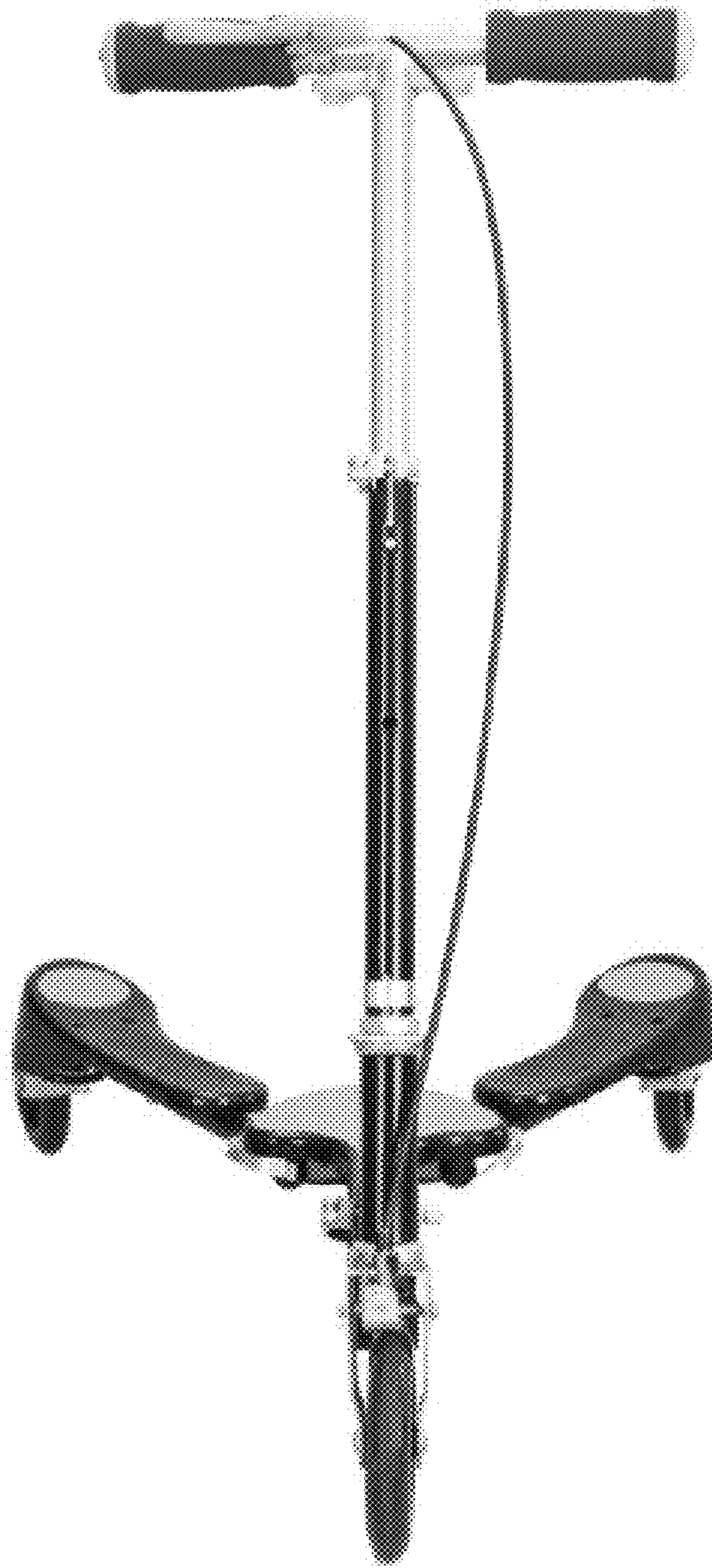


Fig. 4



Fig. 5

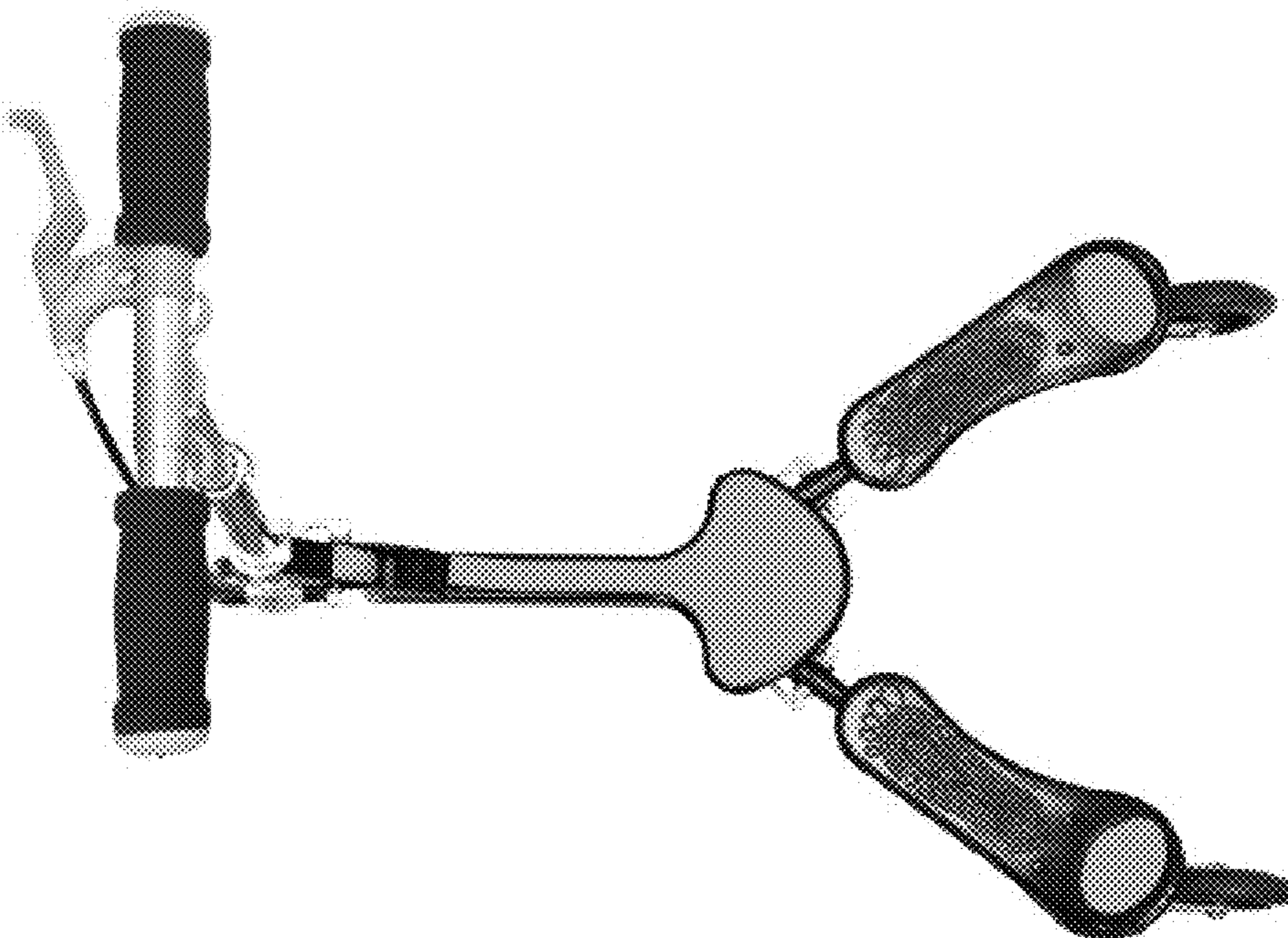


Fig. 6

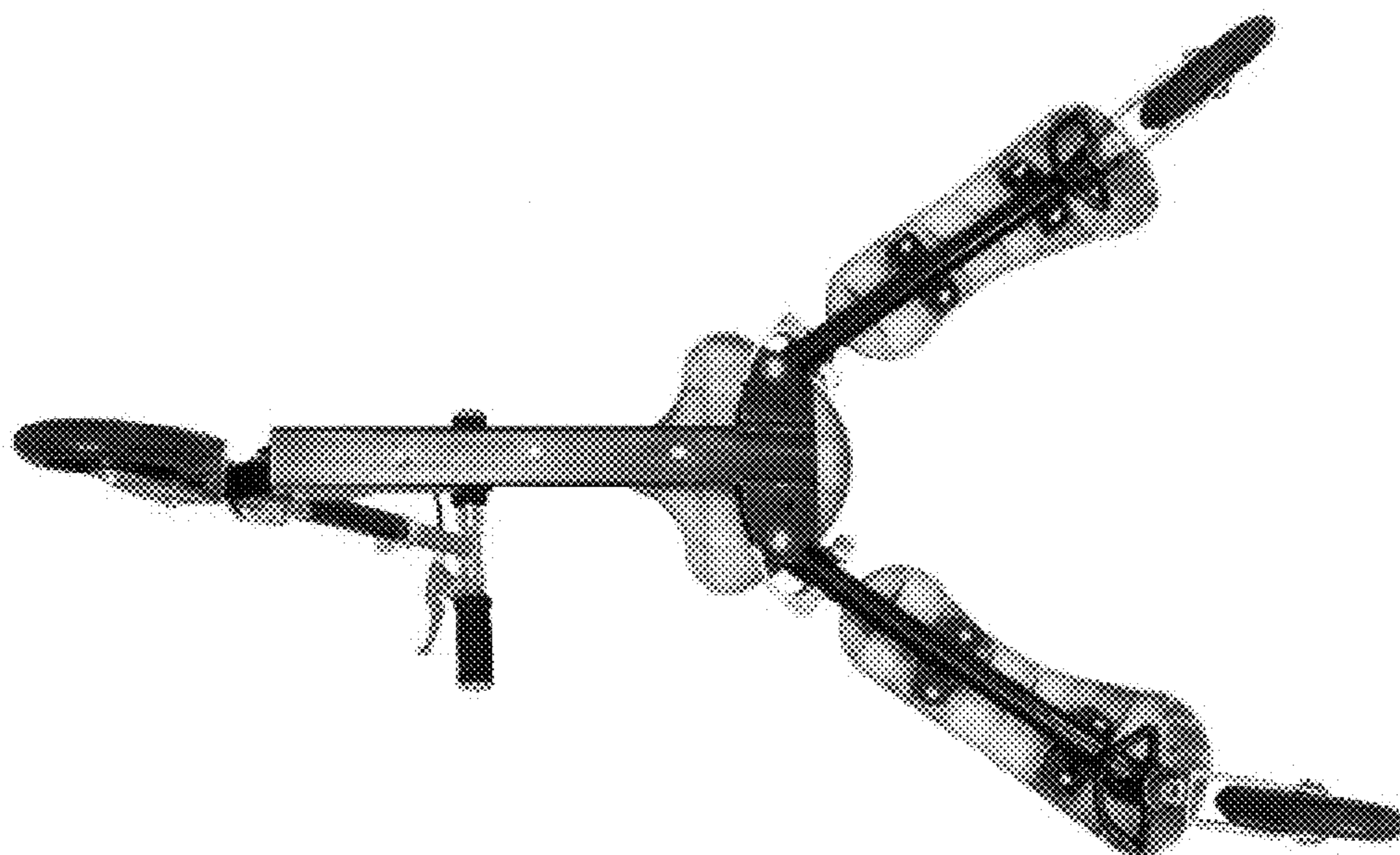


Fig. 7

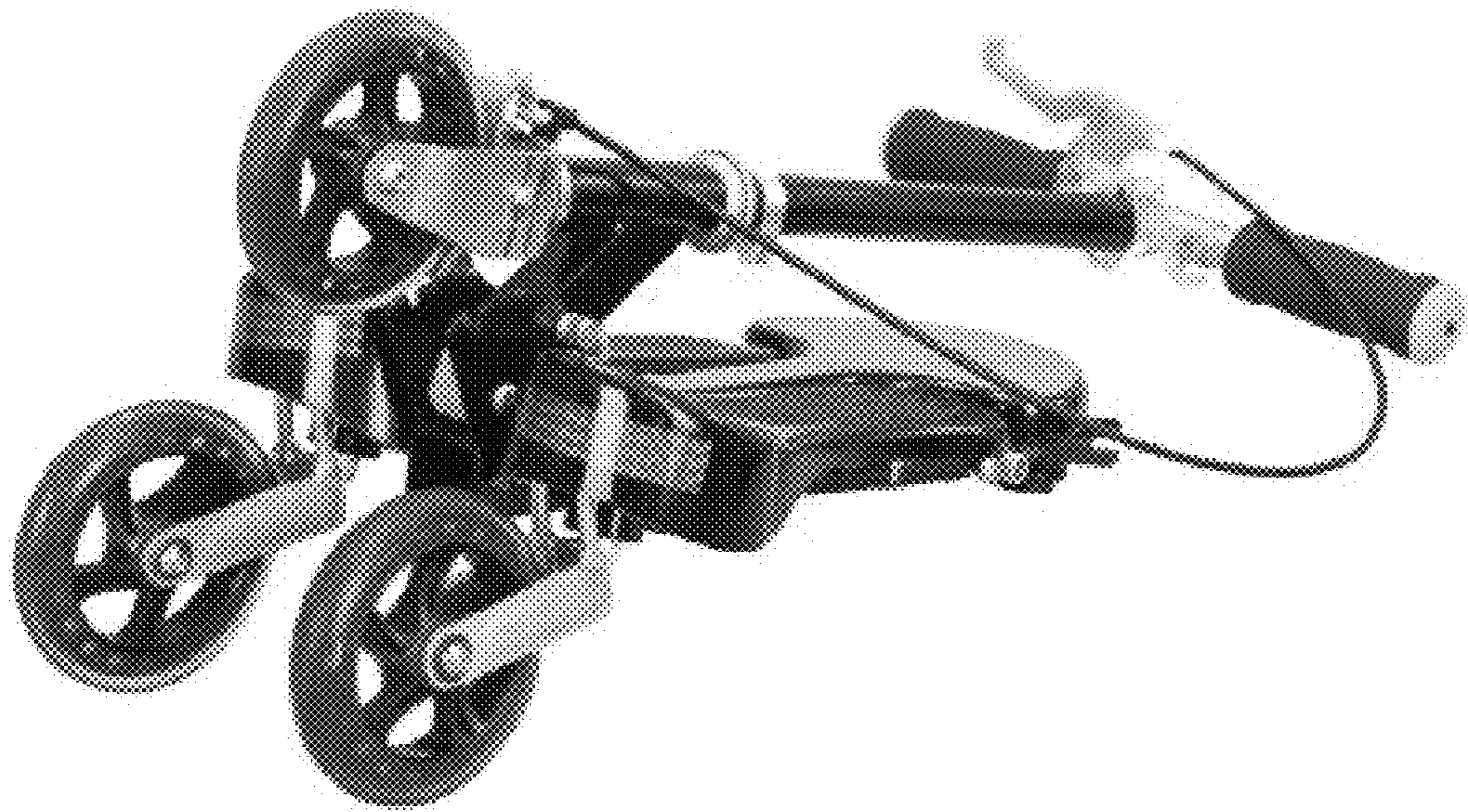


Fig. 8



Fig. 9