



US00D654534S

(12) **United States Design Patent**  
**Jones et al.**

(10) **Patent No.:** **US D654,534 S**

(45) **Date of Patent:** **\*\* \*Feb. 21, 2012**

(54) **INK STICK FOR A PHASE CHANGE INK JET PRINTER**

(75) Inventors: **Brent Rodney Jones**, Sherwood, OR (US); **Jonathan R Ritter**, Cupertino, CA (US); **Brian Walter Aznoe**, Sherwood, OR (US); **Christopher R Gold**, Tigard, OR (US)

(73) Assignee: **Xerox Corporation**, Norwalk, CT (US)

(\*) Notice: This patent is subject to a terminal disclaimer.

(\*\*) Term: **14 Years**

(21) Appl. No.: **29/375,693**

(22) Filed: **Sep. 27, 2010**

(51) **LOC (9) Cl.** ..... **18-02**

(52) **U.S. Cl.** ..... **D18/56**

(58) **Field of Classification Search** ..... D18/56;  
347/88, 99; 106/31.29, 31.61

See application file for complete search history.

(56) **References Cited**

**U.S. PATENT DOCUMENTS**

D412,527 S \* 8/1999 Ellers et al. .... D18/56  
D412,528 S \* 8/1999 Ellers et al. .... D18/56

D518,097 S \* 3/2006 Jones ..... D18/56  
D519,555 S \* 4/2006 Sasaki et al. .... D18/56  
D520,559 S \* 5/2006 Jones ..... D18/56  
D528,159 S \* 9/2006 Jones ..... D18/56  
D531,210 S \* 10/2006 Jones ..... D18/56  
D533,900 S \* 12/2006 Jones et al. .... D18/56  
D540,854 S \* 4/2007 Korn et al. .... D18/56  
D576,204 S \* 9/2008 Aznoe et al. .... D18/56  
D586,386 S \* 2/2009 Aznoe et al. .... D18/56  
D586,387 S \* 2/2009 Aznoe et al. .... D18/56  
D609,272 S \* 2/2010 Lecheheb et al. .... D18/56

\* cited by examiner

*Primary Examiner* — David Muller

(74) *Attorney, Agent, or Firm* — Tallam I. Nguti

(57) **CLAIM**

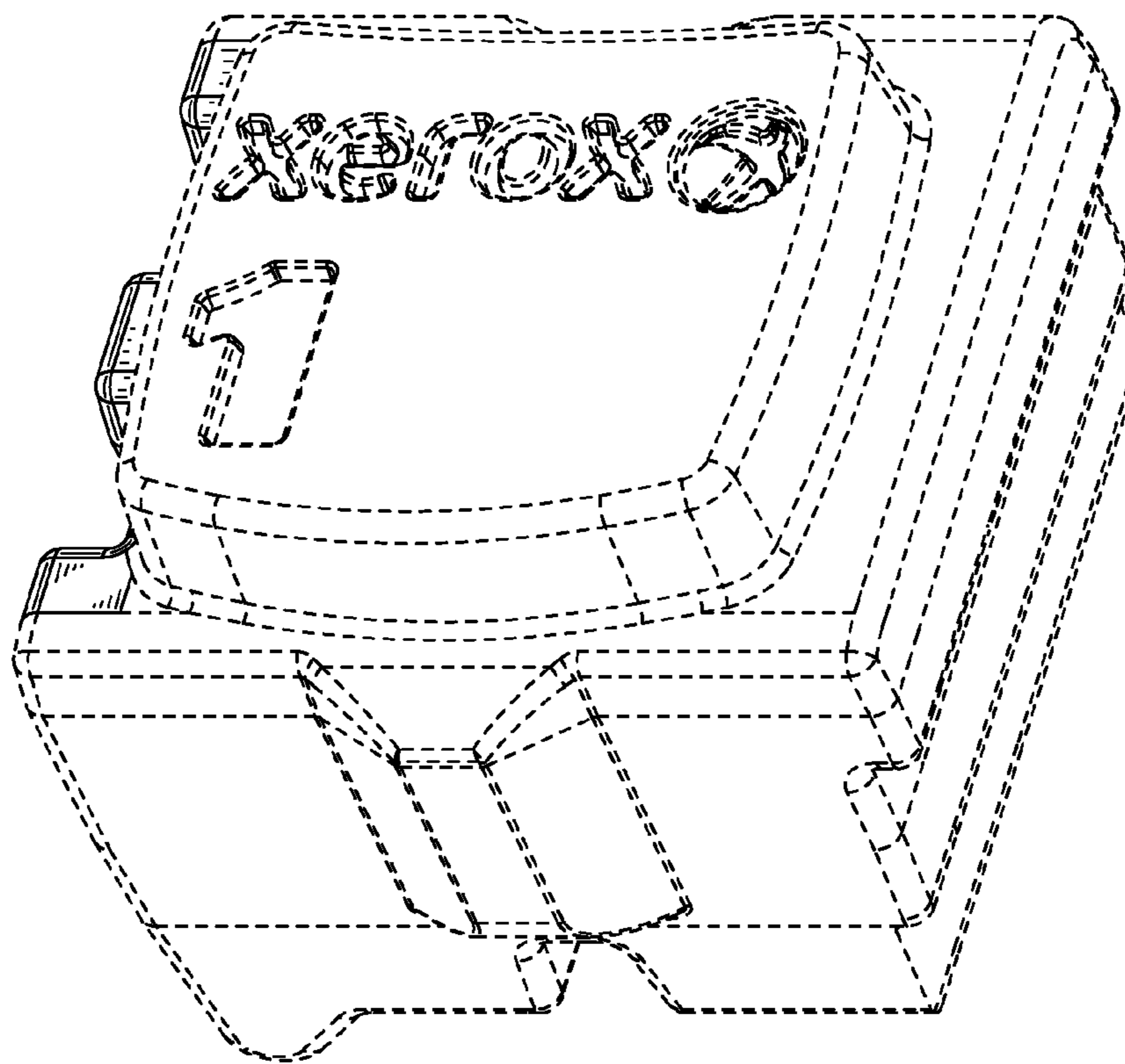
The ornamental design for an ink stick for a phase change ink jet printer, as shown and described.

**DESCRIPTION**

FIG. 1 is a perspective view of an ink stick for a phase change ink jet printer in accordance with the present invention; FIG. 2 is a front elevation view thereof; FIG. 3 is a right side elevation view thereof; FIG. 4 is a rear elevation view thereof; FIG. 5 is a left side elevation view thereof; FIG. 6 is a top plan view thereof; and, FIG. 7 is a bottom plan view thereof.

The features shown in broken lines in the drawing figures depict environmental subject matter only and form no part of the claimed design.

**1 Claim, 7 Drawing Sheets**



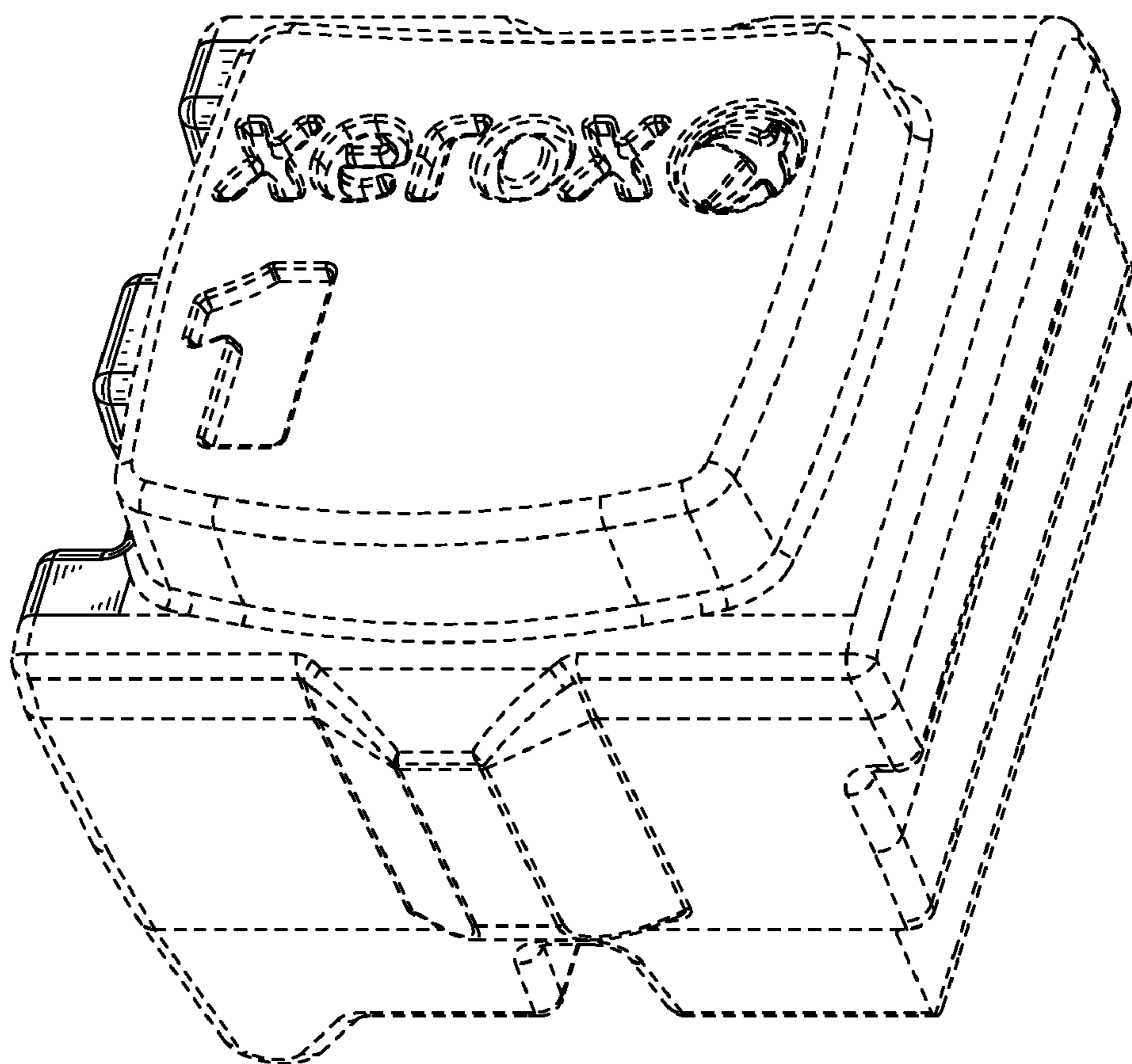


FIG. 1

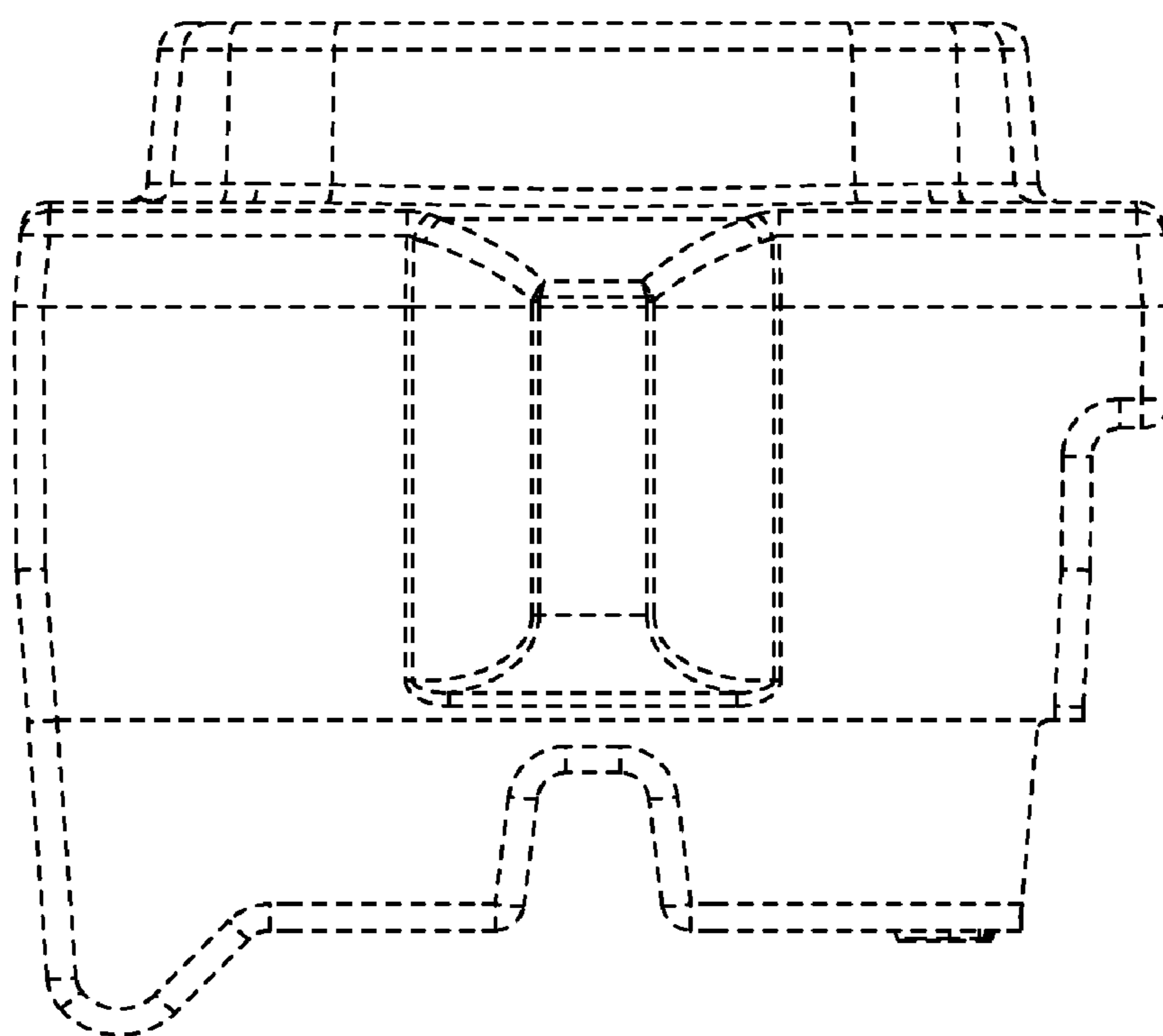


FIG. 2

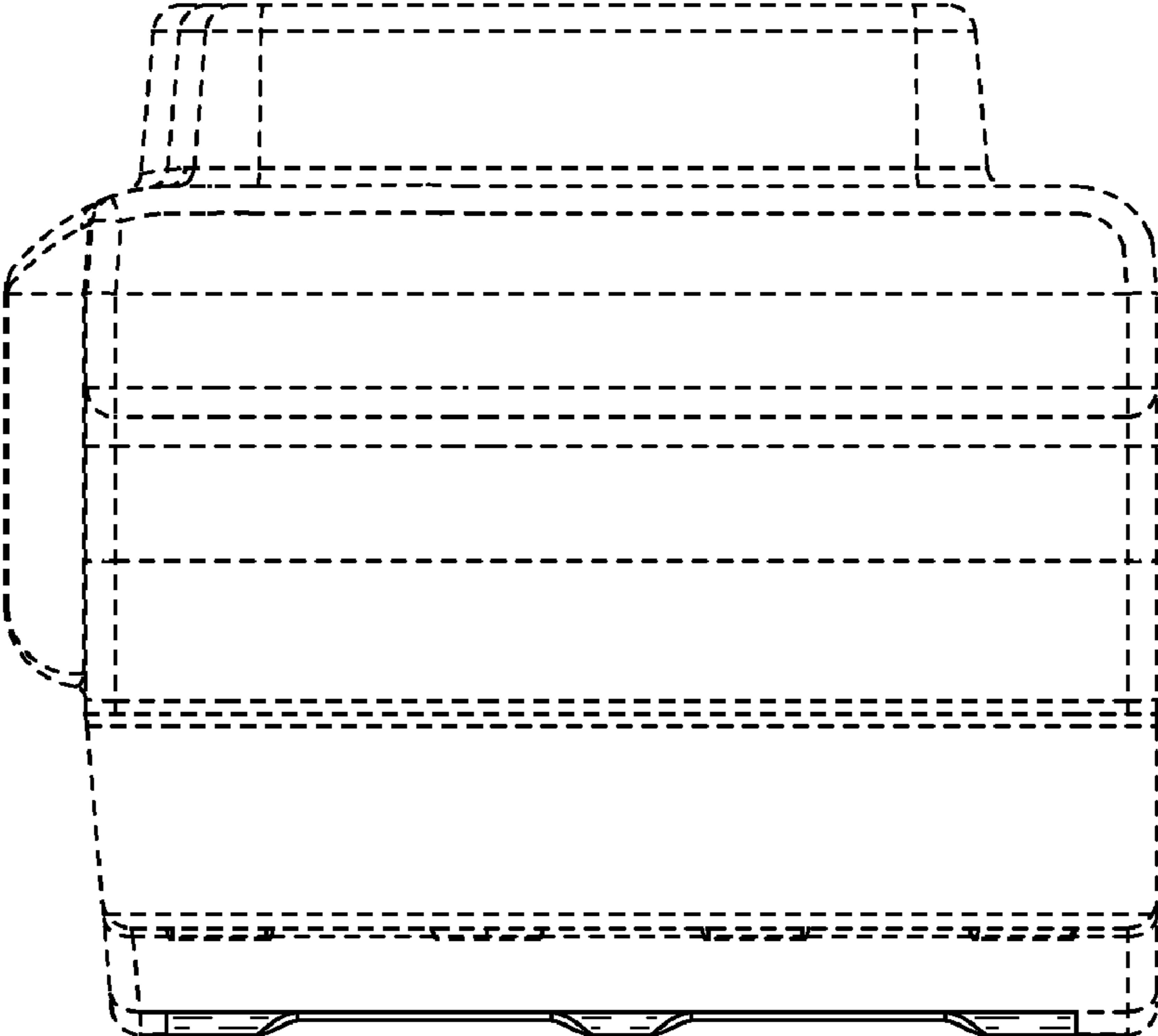


FIG. 3

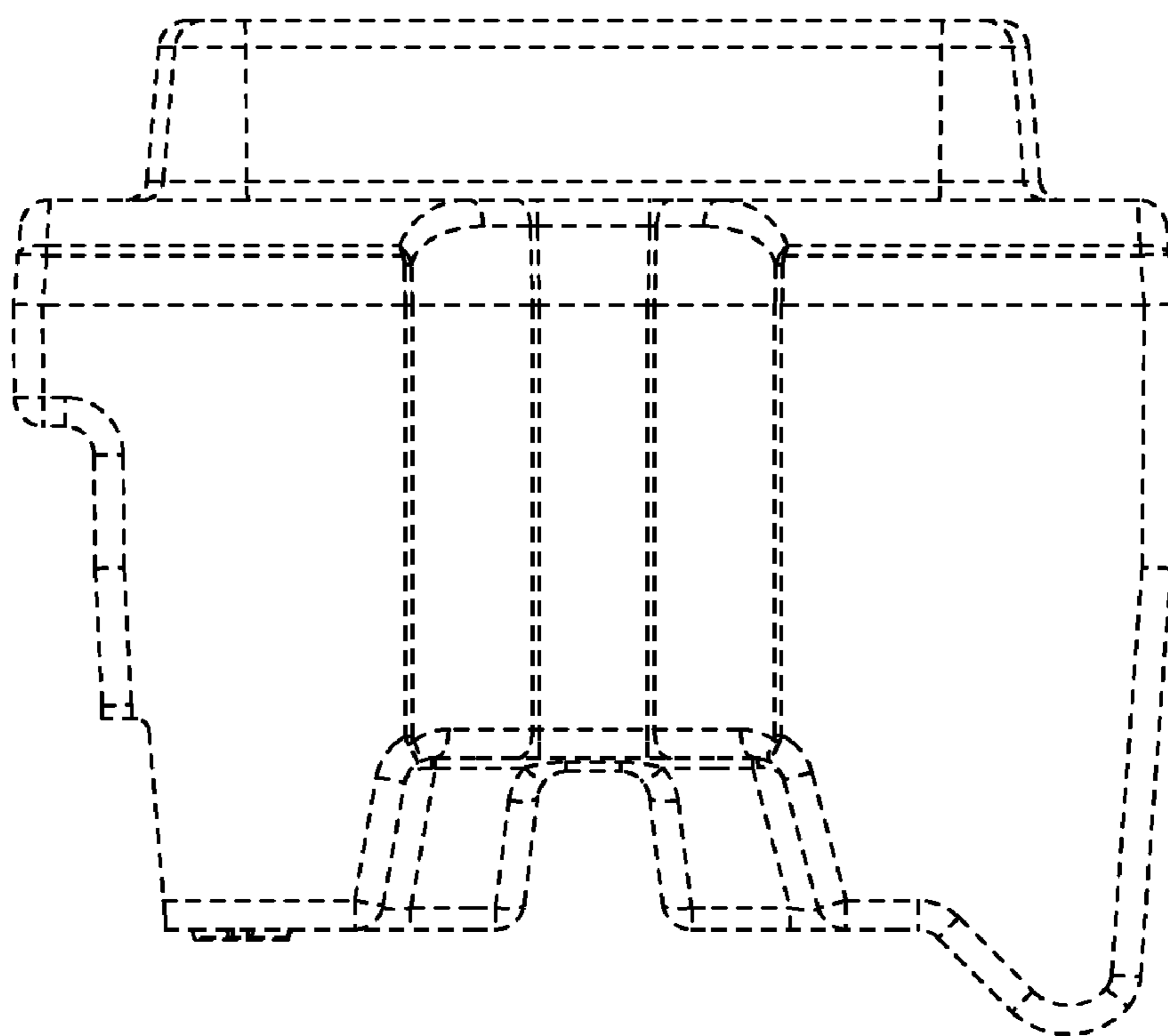


FIG. 4

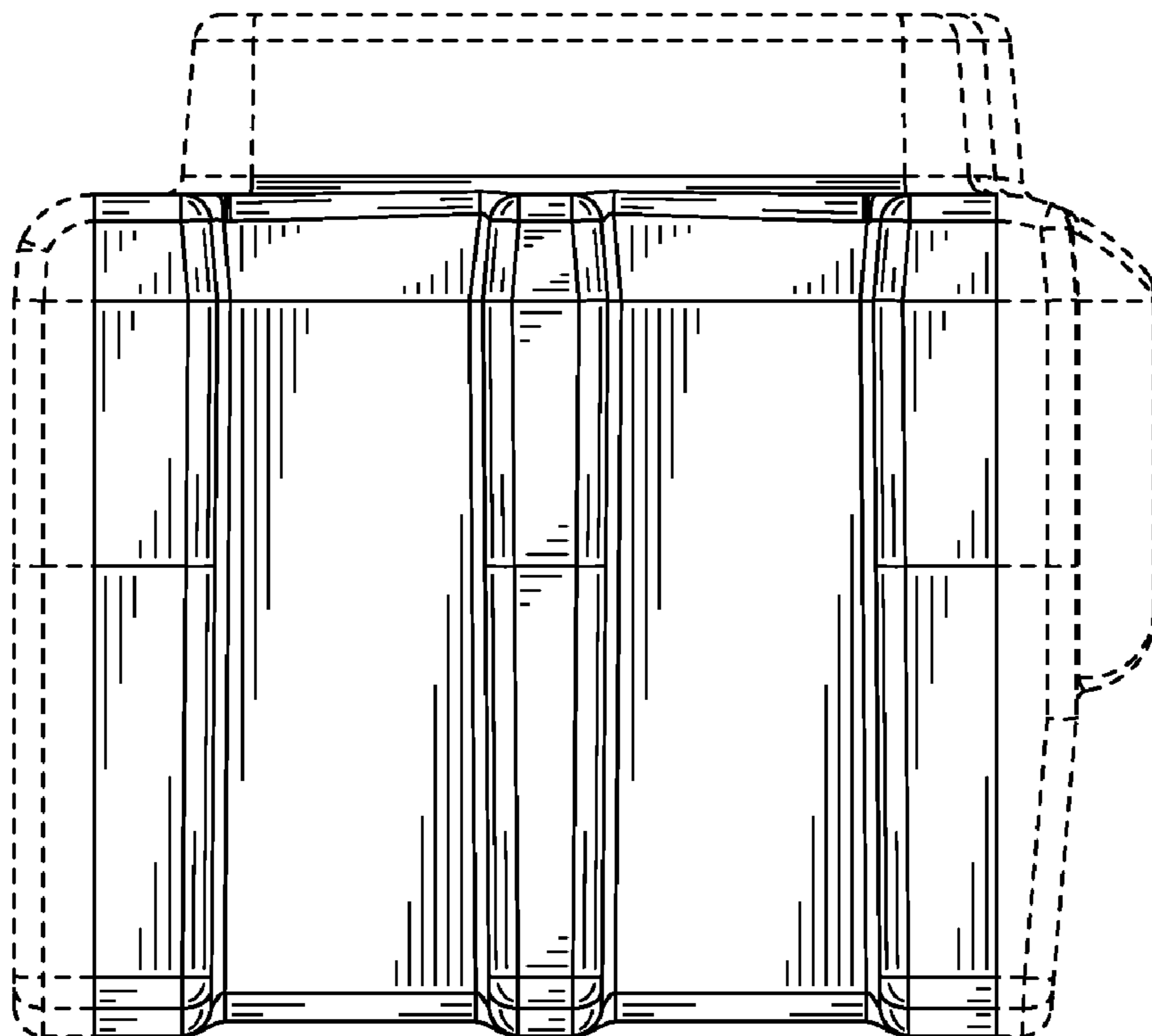


FIG. 5

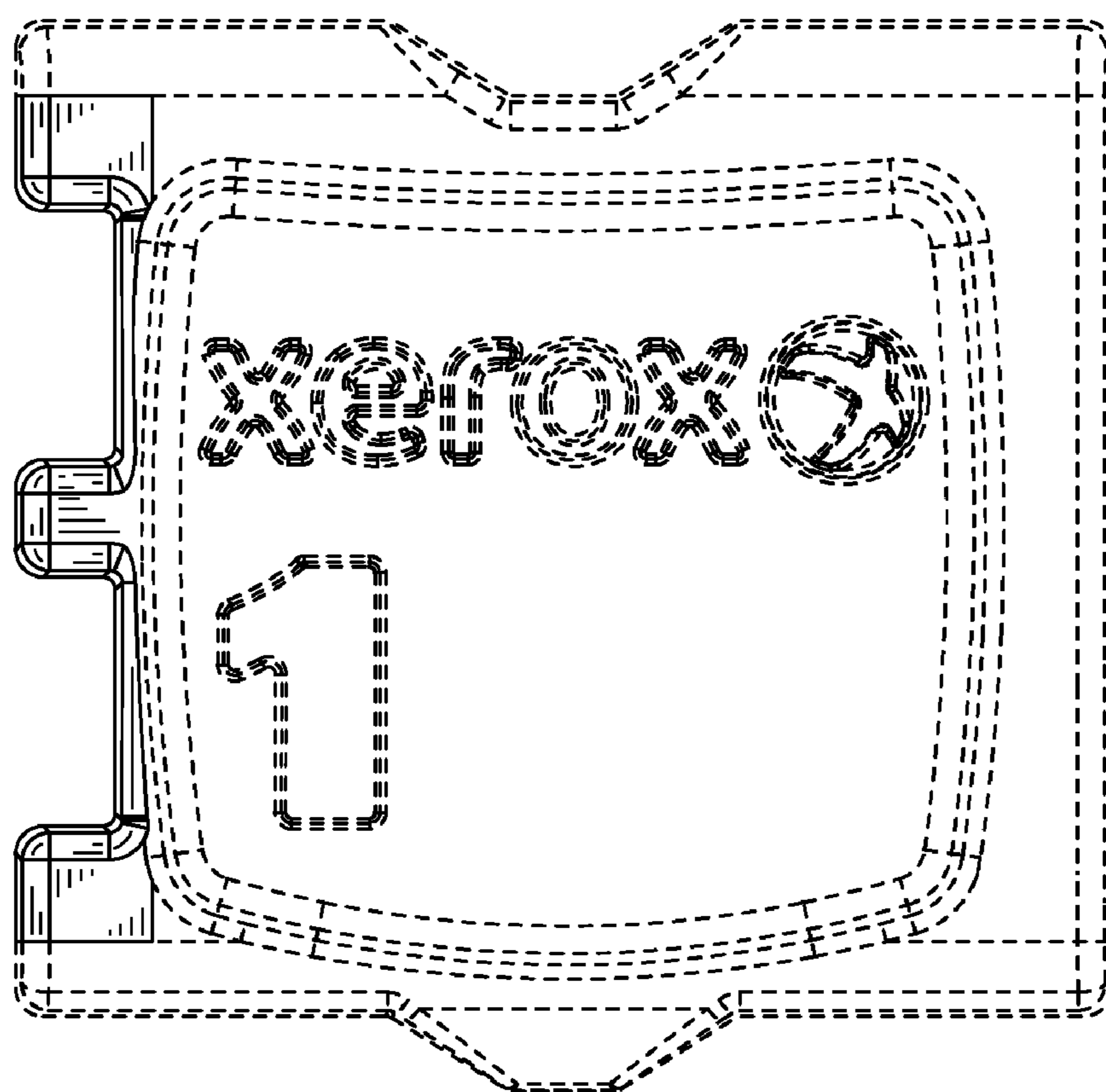


FIG. 6

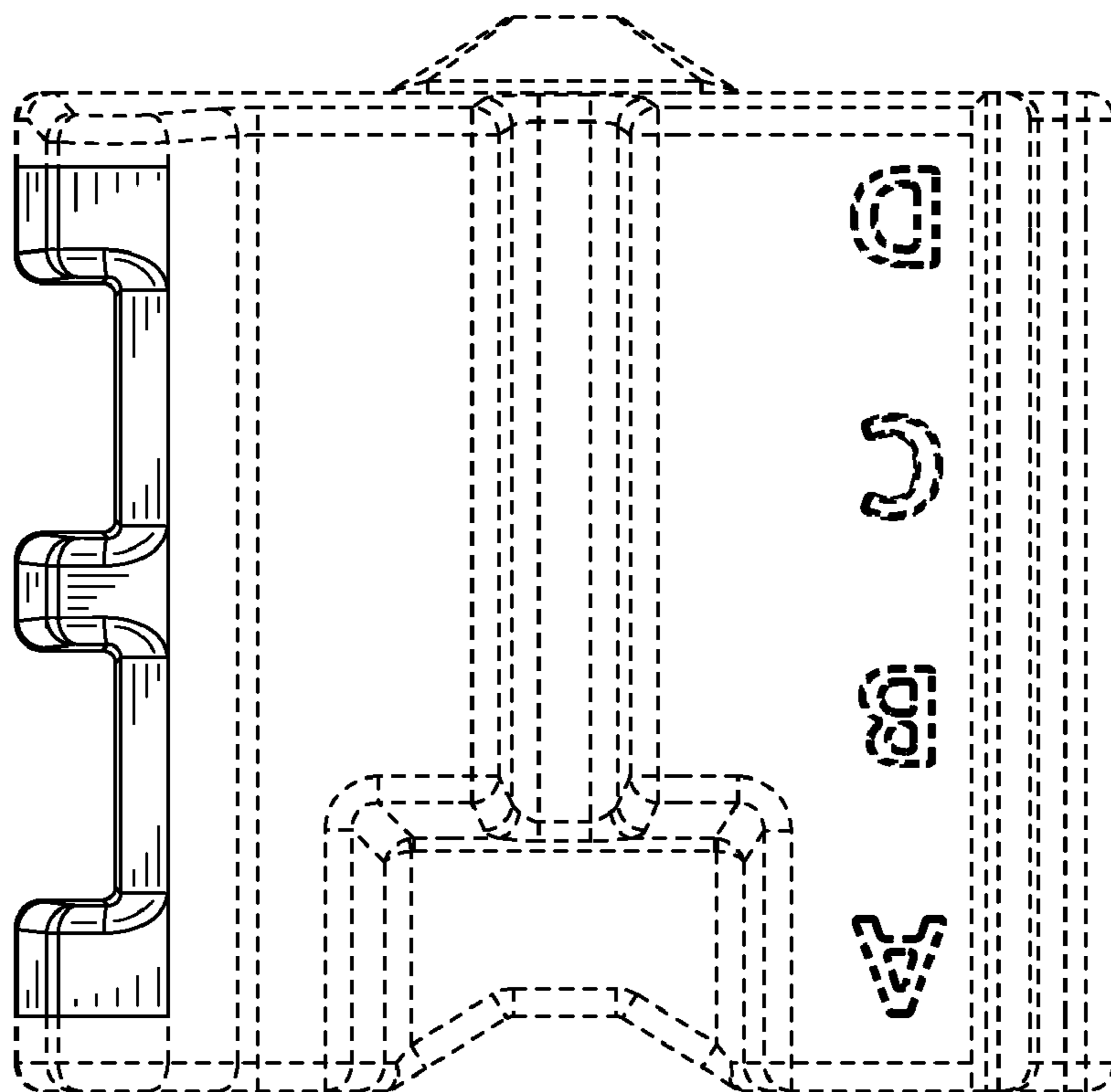


FIG. 7