

US00D654533S

(12) **United States Design Patent**  
**Carter, II et al.**

(10) **Patent No.:** **US D654,533 S**  
(45) **Date of Patent:** **\*\* Feb. 21, 2012**

(54) **CLEANER HOUSING FOR A LASER  
PRINTER CARTRIDGE**

(75) Inventors: **James Anthony Carter, II**, Lexington,  
KY (US); **Gregory Alan Cavill**,  
Winchester, KY (US); **Gary Neal  
Hackney**, Lexington, KY (US);  
**Benjamin Keith Newman**, Lexington,  
KY (US); **Richard Winston Thomas**,  
Lexington, KY (US); **Christopher Gene  
Vowels**, Versailles, KY (US); **Rebecca J.  
Perkins**, Madison, WI (US)

(73) Assignee: **Lexmark International, Inc.**,  
Lexington, KY (US)

(\*\*) Term: **14 Years**

(21) Appl. No.: **29/340,565**

(22) Filed: **Jul. 21, 2009**

(51) **LOC (9) Cl.** ..... **18-02**

(52) **U.S. Cl.** ..... **D18/56**

(58) **Field of Classification Search** ..... D18/40,  
D18/43, 56, 12; 347/86, 87  
See application file for complete search history.

(56) **References Cited**

U.S. PATENT DOCUMENTS

5,352,049 A \* 10/1994 Shiraishi et al. .... D18/56  
D383,743 S \* 9/1997 Suwa et al. .... D18/56

D397,142 S \* 8/1998 Hammill et al. .... D18/56  
D450,344 S \* 11/2001 Ito et al. .... D18/40  
D458,295 S \* 6/2002 Neri et al. .... D18/12  
D462,379 S \* 9/2002 Ito et al. .... D18/40  
D505,445 S \* 5/2005 Neri ..... D18/12  
D514,153 S \* 1/2006 Tu ..... D18/12  
D521,052 S \* 5/2006 Tu ..... D18/12  
D523,062 S \* 6/2006 Tu ..... D18/12  
D523,063 S \* 6/2006 Tu ..... D18/12  
D523,891 S \* 6/2006 Tu ..... D18/12  
D597,594 S \* 8/2009 Ito et al. .... D18/56

\* cited by examiner

*Primary Examiner* — David Muller

(74) *Attorney, Agent, or Firm* — John Victor Pezdek

(57) **CLAIM**

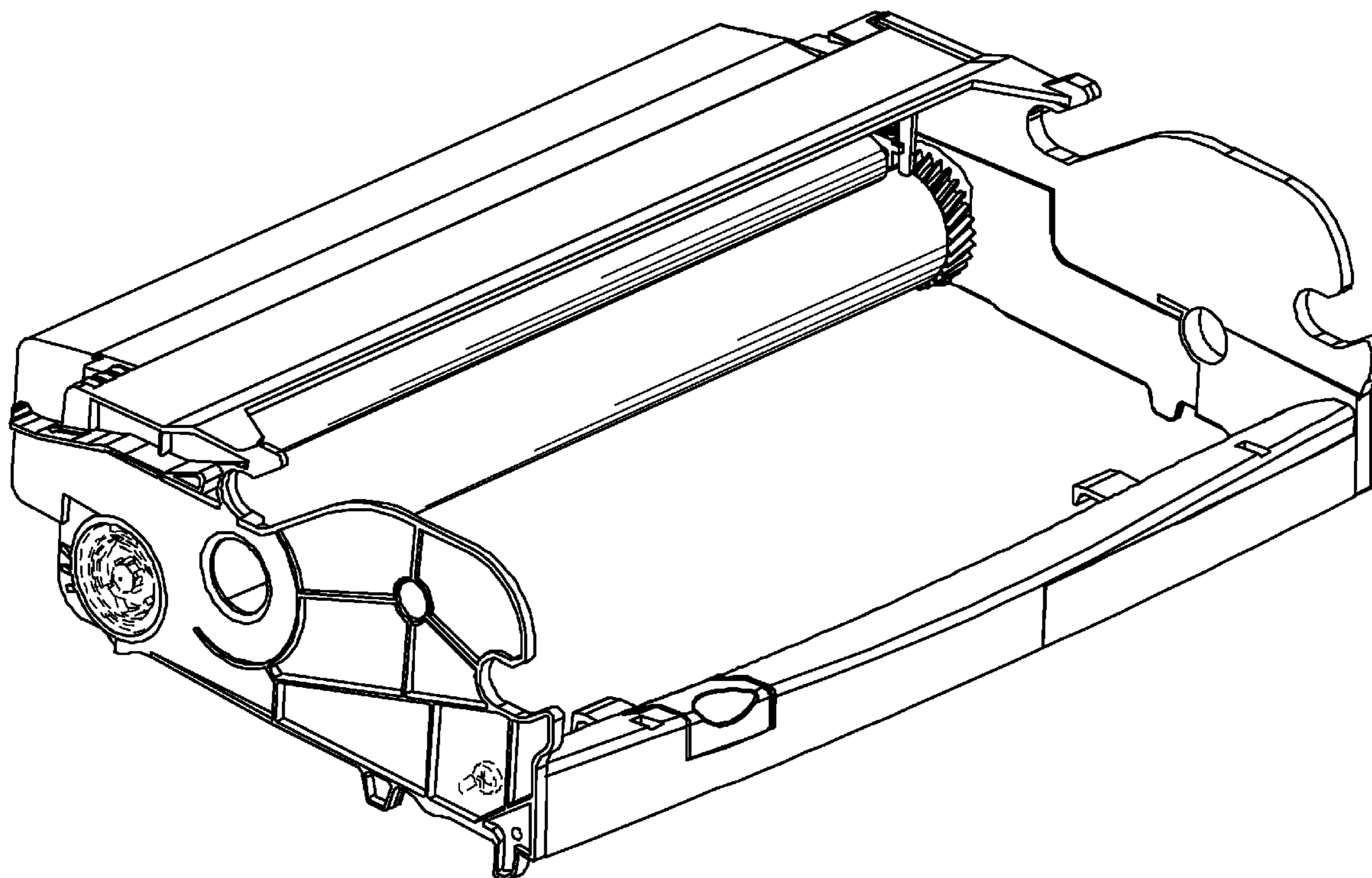
The ornamental design for a cleaner housing for a laser printer cartridge, as shown and described.

**DESCRIPTION**

FIG. 1 is a left side perspective view of a cleaner housing for a laser printer cartridge showing our new design; FIG. 2 is a right side elevation view thereof; FIG. 3 is a left side elevation view thereof; FIG. 4 is a front elevation view thereof; FIG. 5 is a rear elevation view thereof; FIG. 6 is a top plan view thereof; and, FIG. 7 is a bottom plan view thereof.

The features shown in broken lines depict environmental subject matter only and form no part of the claimed design.

**1 Claim, 5 Drawing Sheets**



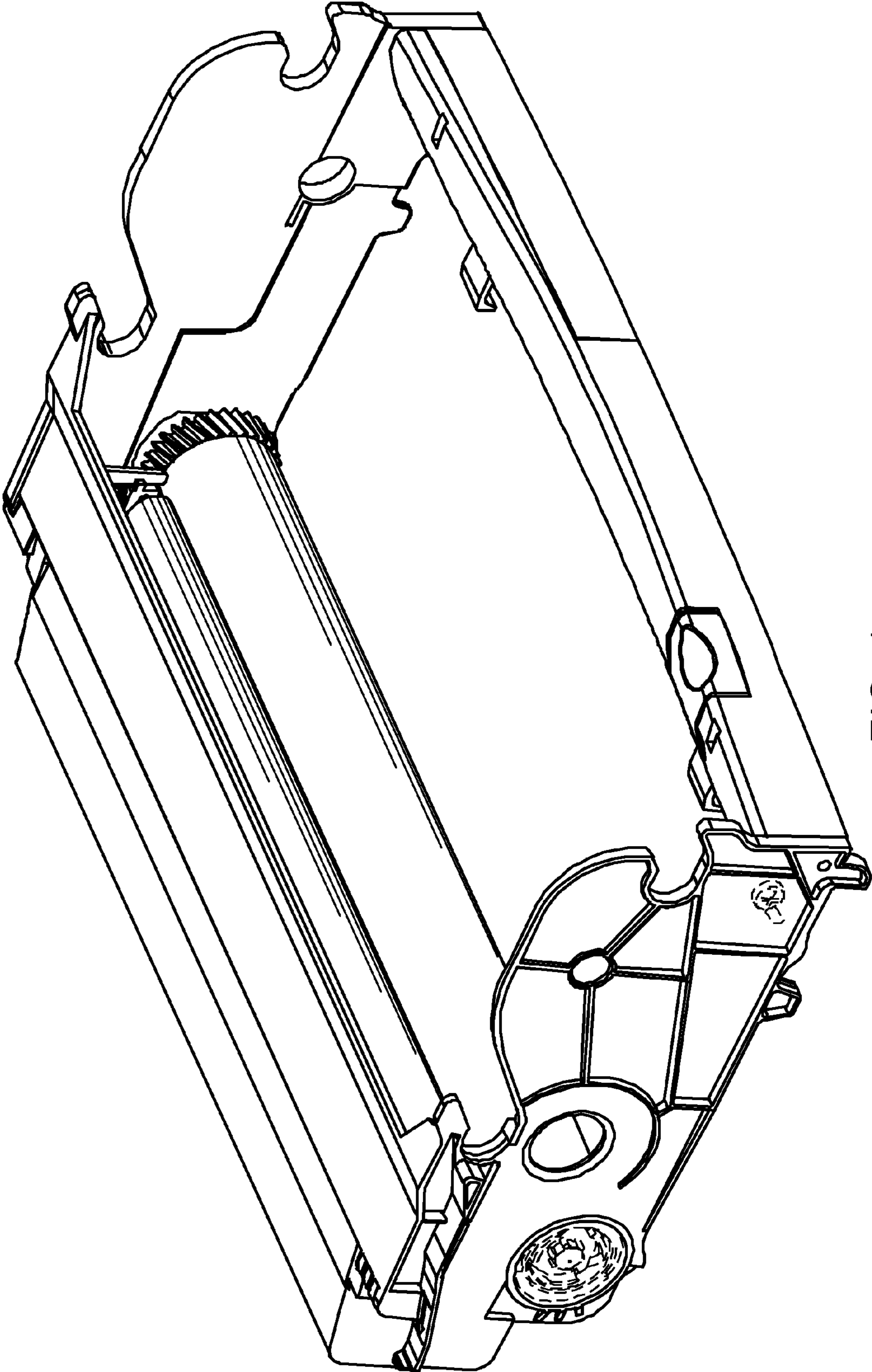


FIG. 1

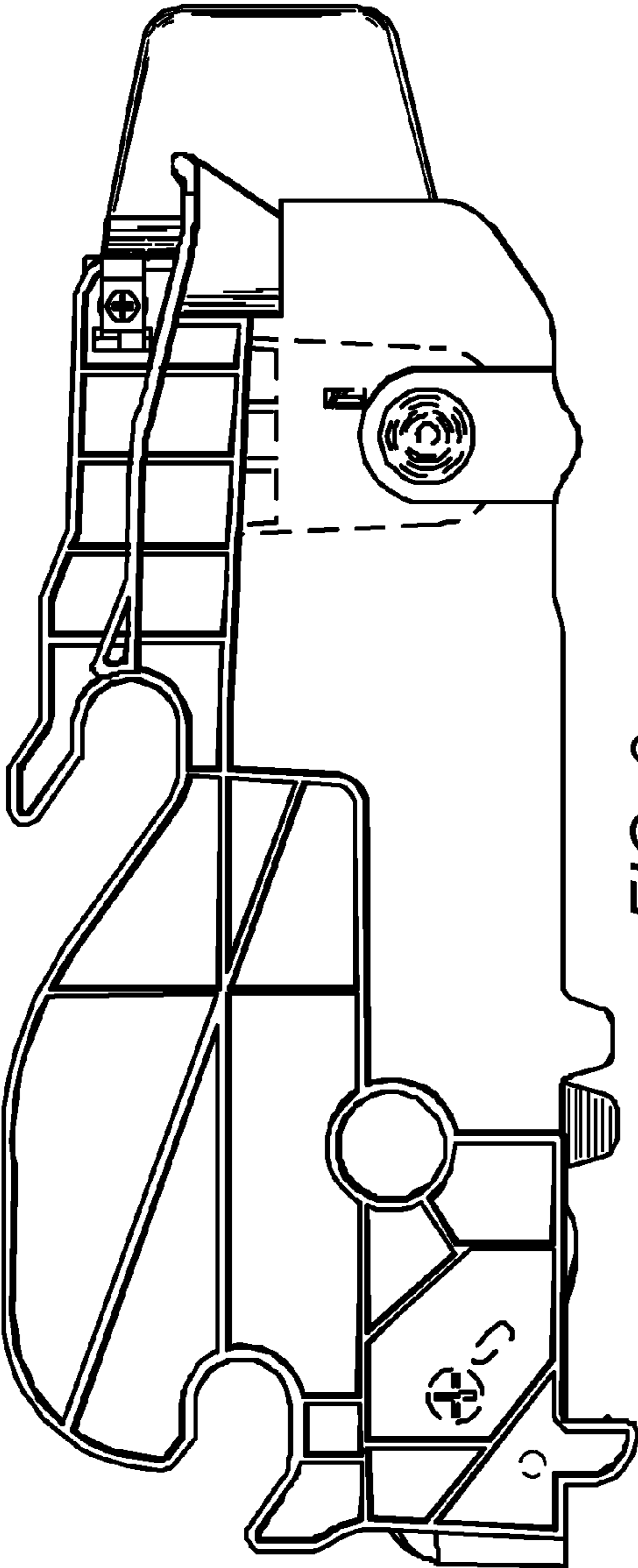


FIG. 2

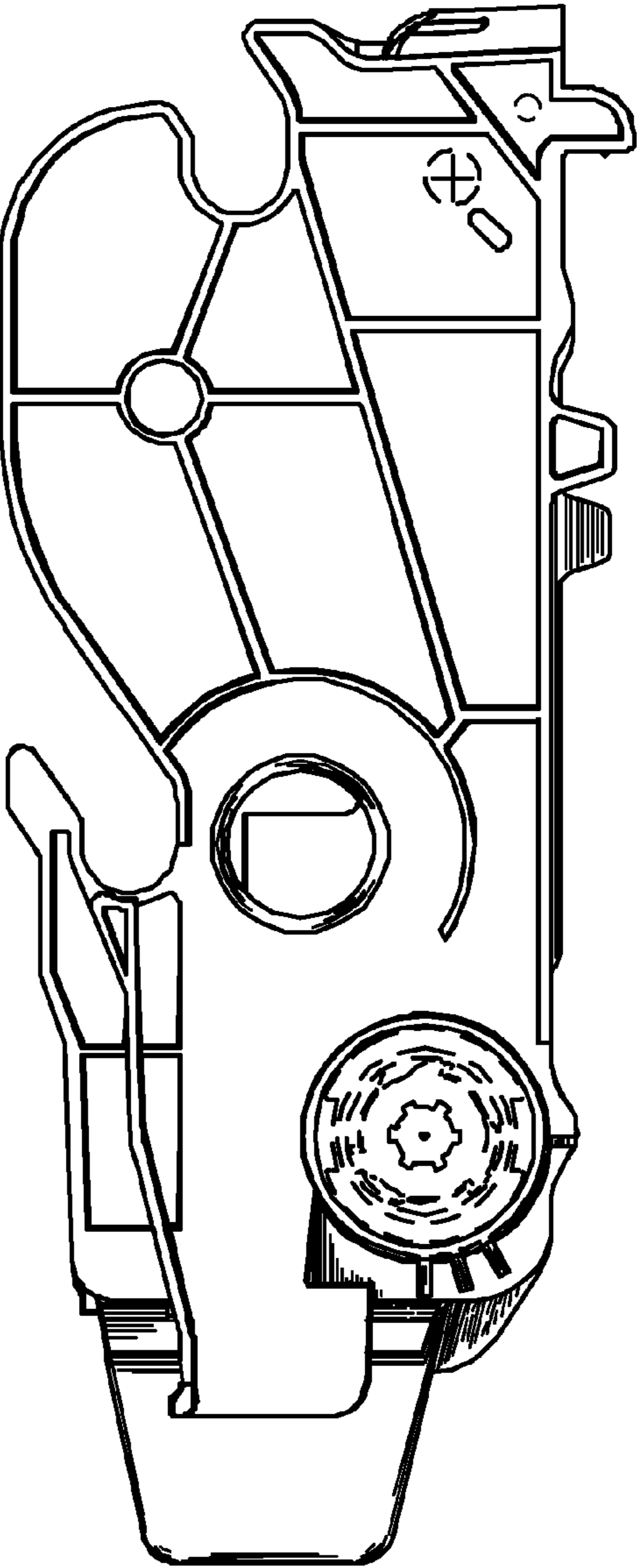


FIG. 3

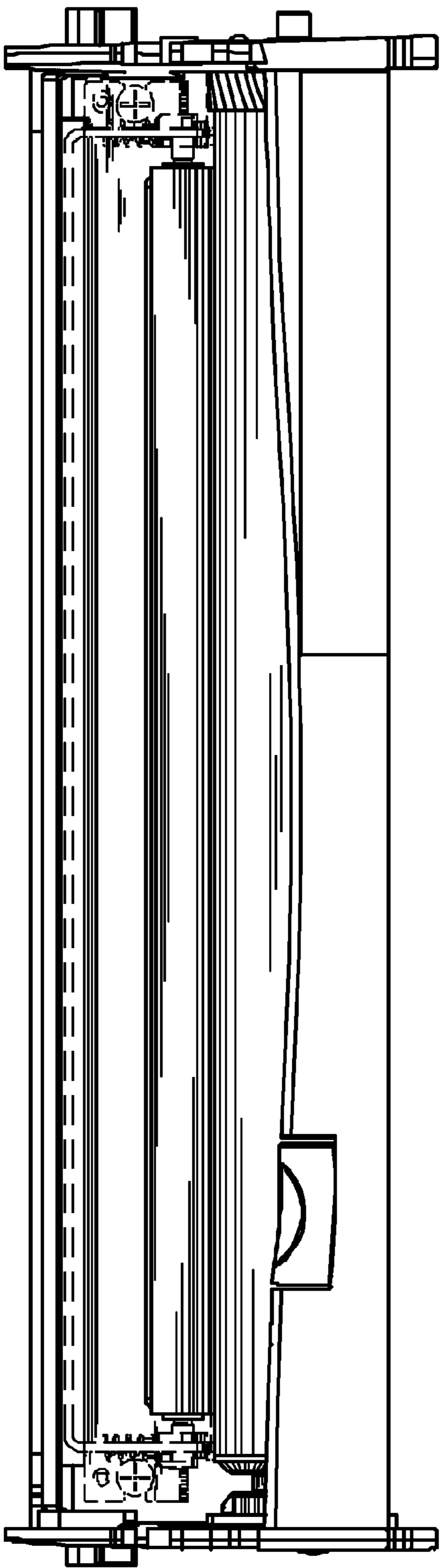


FIG. 4

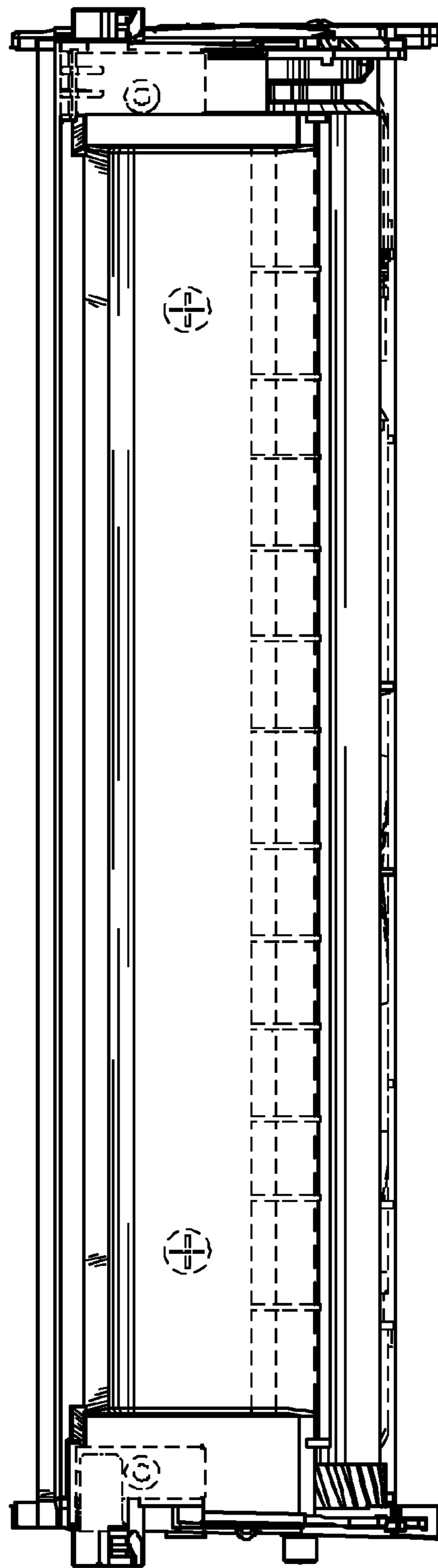


FIG. 5

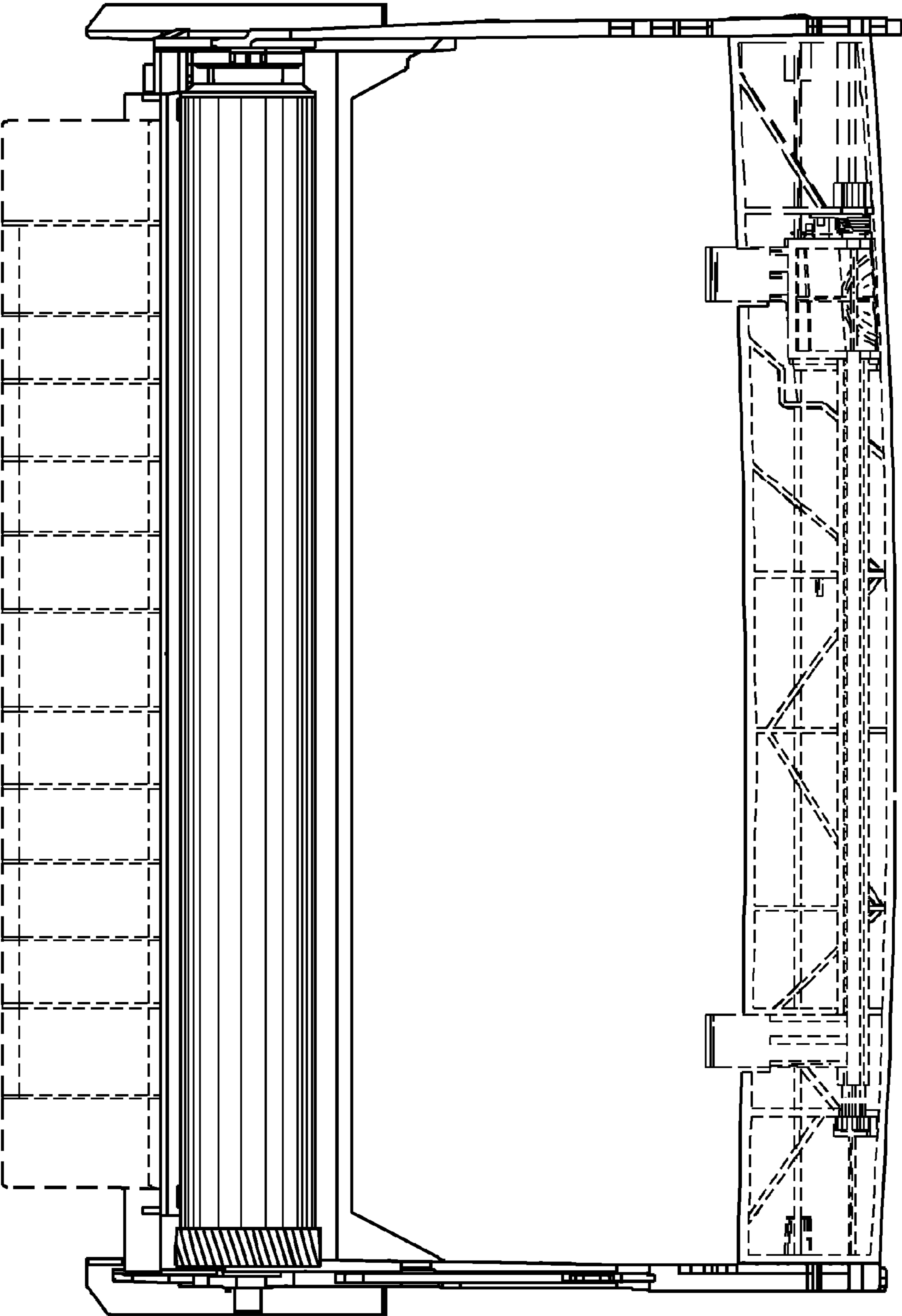


FIG. 6

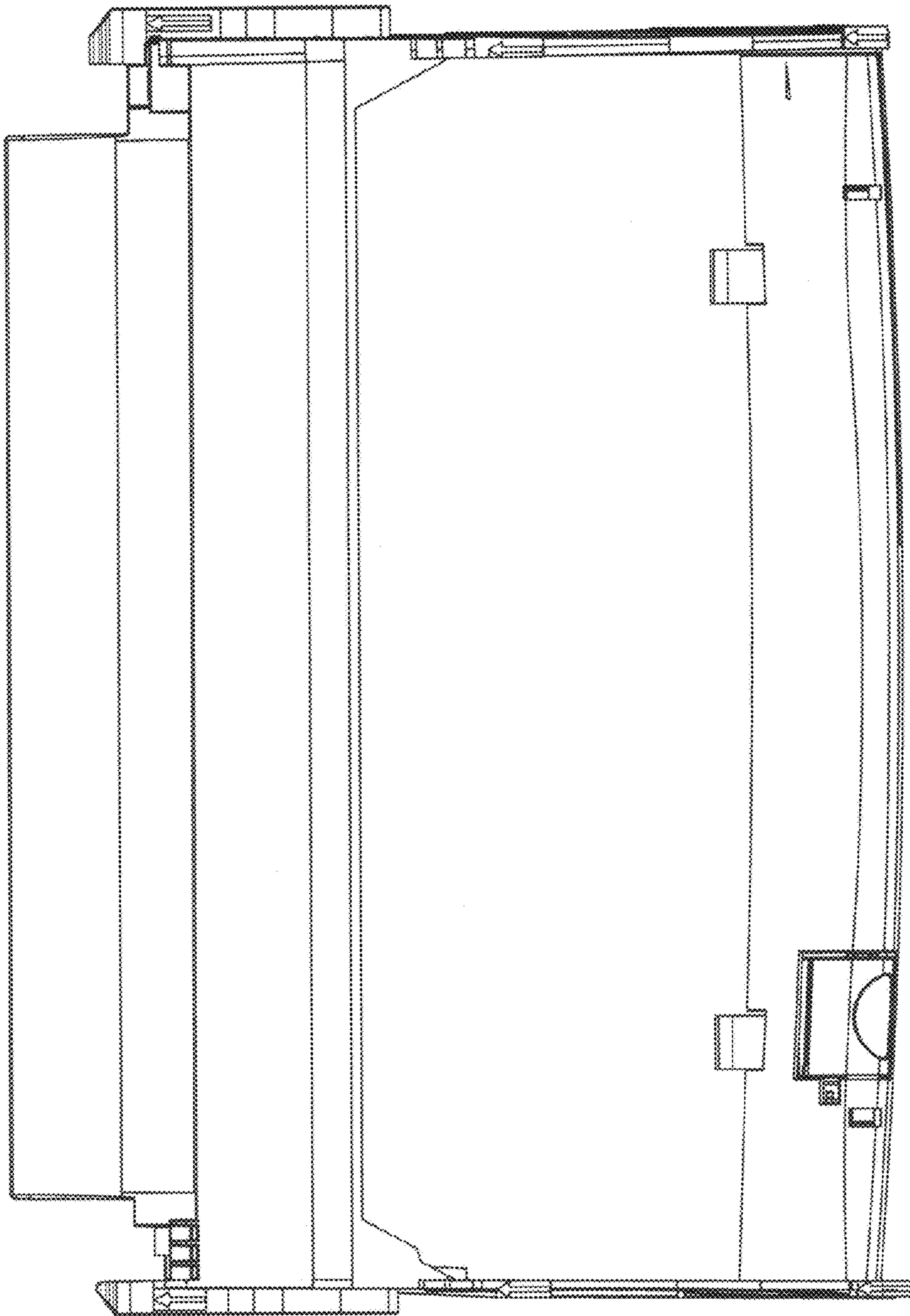


FIG. 7