



US00D654527S

(12) **United States Design Patent**  
**Hernandez**

(10) **Patent No.:** **US D654,527 S**

(45) **Date of Patent:** **\*\* Feb. 21, 2012**

(54) **HANDLE ASSEMBLY FOR CAMERA**

(76) Inventor: **Charles Hernandez**, Rosemead, CA  
(US)

(\*\*) Term: **14 Years**

(21) Appl. No.: **29/359,712**

(22) Filed: **Apr. 14, 2010**

(51) **LOC (9) Cl.** ..... **16-05**

(52) **U.S. Cl.** ..... **D16/242**

(58) **Field of Classification Search** ..... D16/237,  
D16/242, 243, 245; 248/177.1, 187.1; 352/243;  
396/419, 422, 428

See application file for complete search history.

(56) **References Cited**

U.S. PATENT DOCUMENTS

D146,258	S	*	1/1947	Gans	.....	D16/245
4,831,455	A	*	5/1989	Ishikawa et al.	.....	348/373
6,425,697	B1	*	7/2002	Potts et al.	.....	396/419
6,969,033	B2	*	11/2005	van der Linden	.....	248/177.1
7,372,503	B2	*	5/2008	Maeda et al.	.....	348/376
D570,396	S	*	6/2008	Foddis	.....	D16/242

\* cited by examiner

*Primary Examiner* — Adir Aronovich

(74) *Attorney, Agent, or Firm* — Tsircou Law, P.C.

(57) **CLAIM**

The ornamental design for a handle assembly for camera, as shown and described.

**DESCRIPTION**

FIG. 1 is a front and right side perspective view of a handle assembly for camera in accordance with my new design:

FIG. 2 is a left side elevational view of the handle assembly of FIG. 1;

FIG. 3 is a right side elevational view of the handle assembly of FIG. 1;

FIG. 4 is a front elevational view of the handle assembly of FIG. 1;

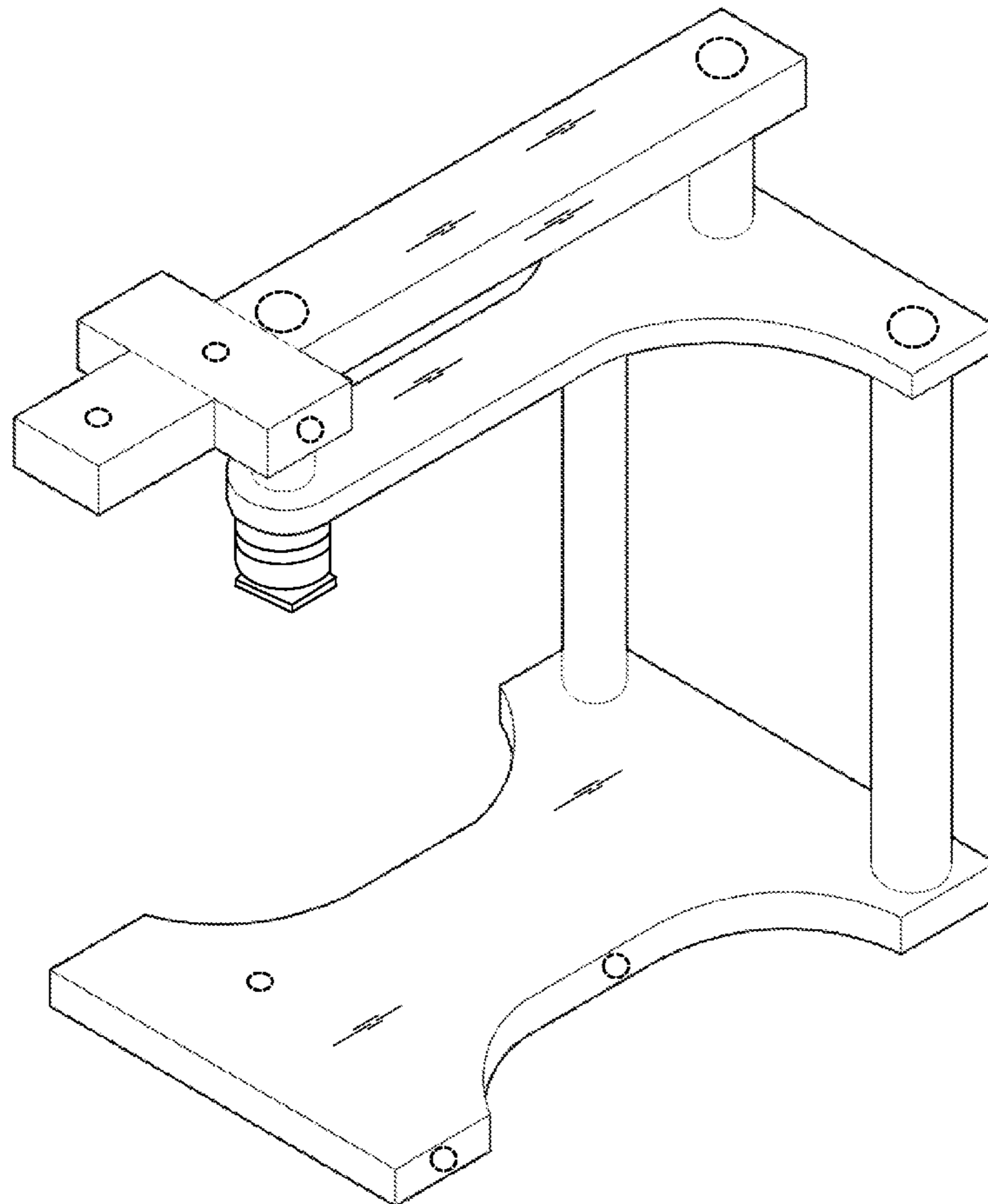
FIG. 5 is a rear elevational view of the handle assembly of FIG. 1;

FIG. 6 is a top plan view of the handle assembly of FIG. 1; and,

FIG. 7 is a bottom plan view of the handle assembly of FIG. 1.

The dashed lines depict environmental aspects and form no part of the claimed design.

**1 Claim, 4 Drawing Sheets**



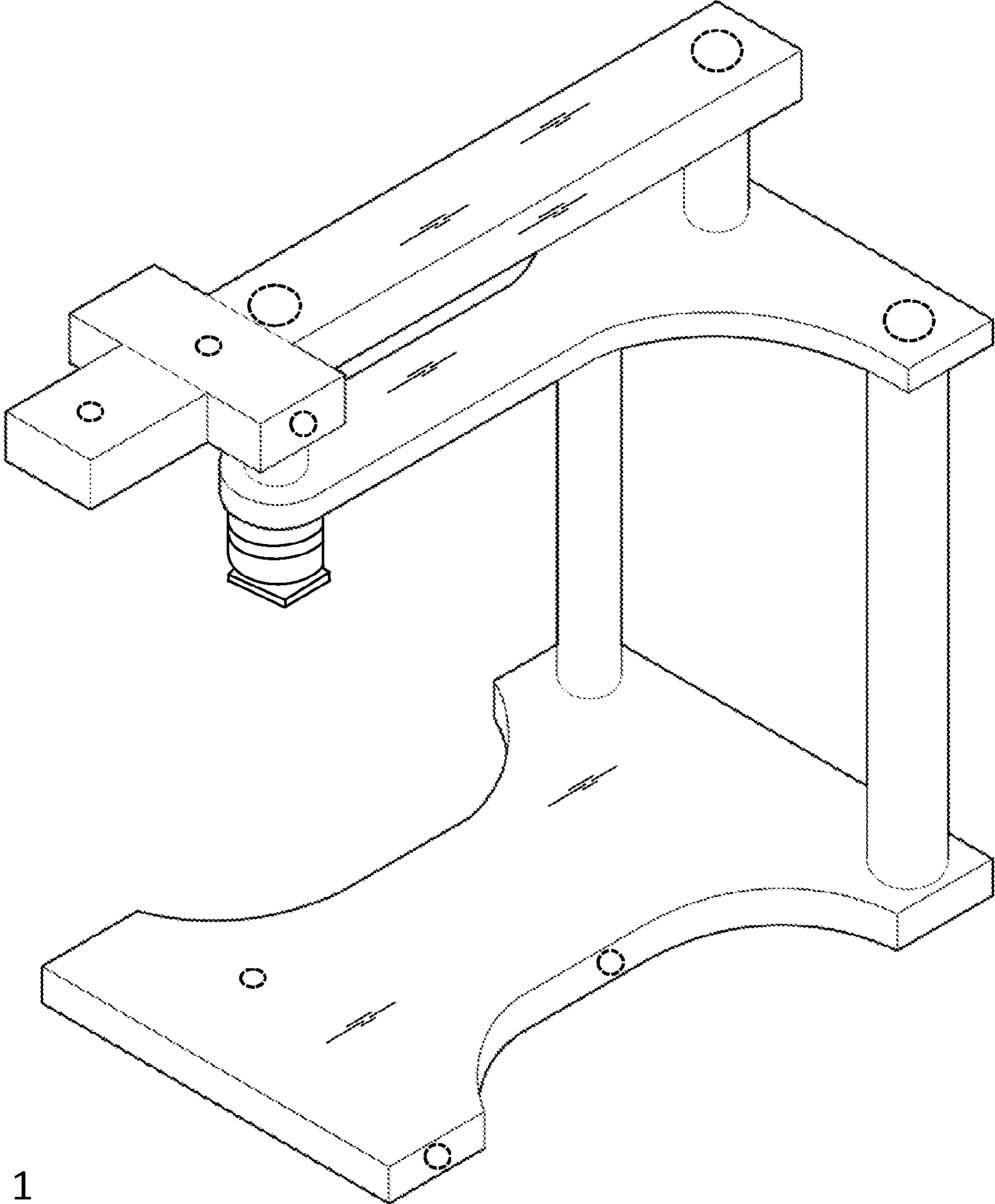


FIG. 1

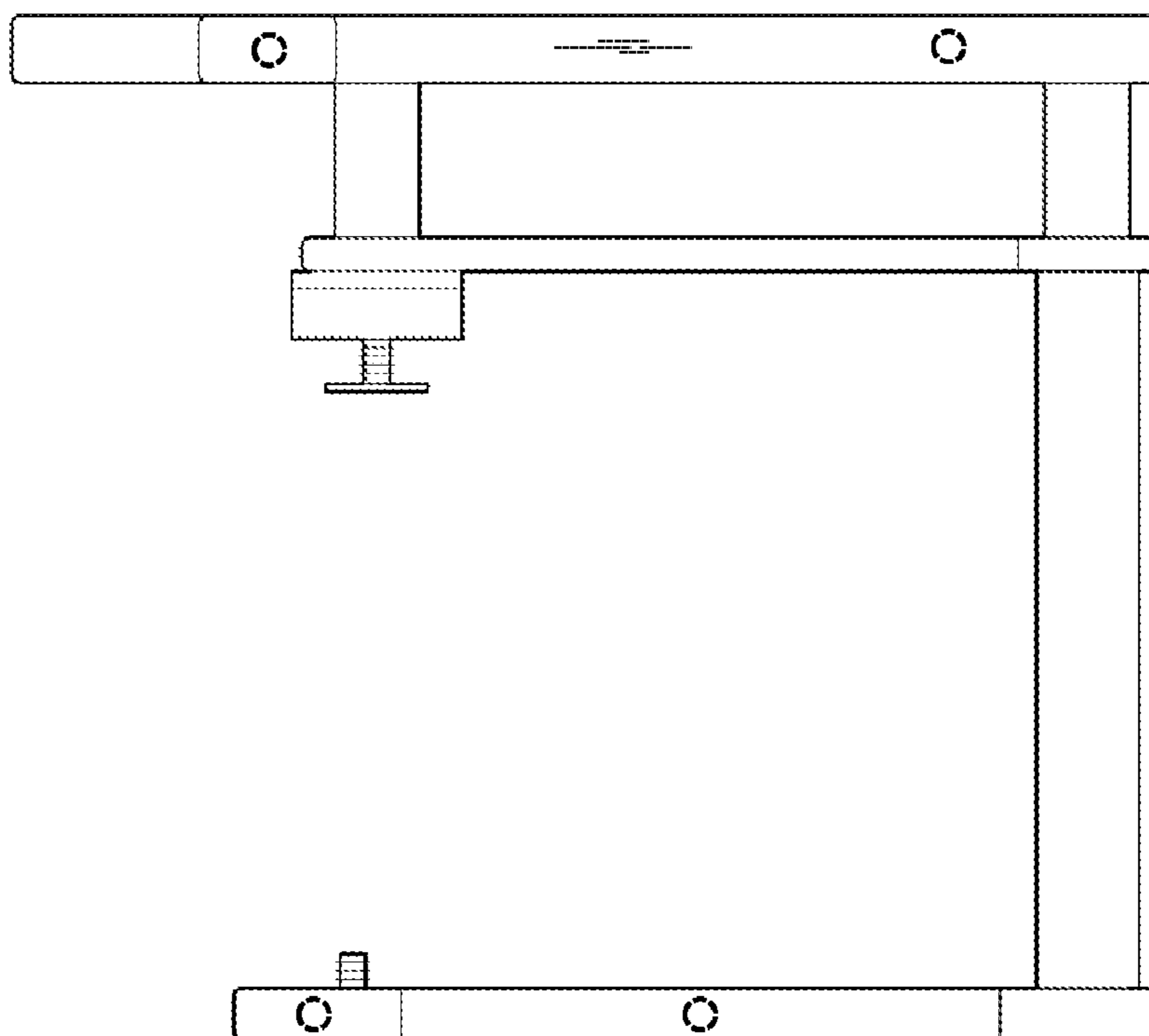
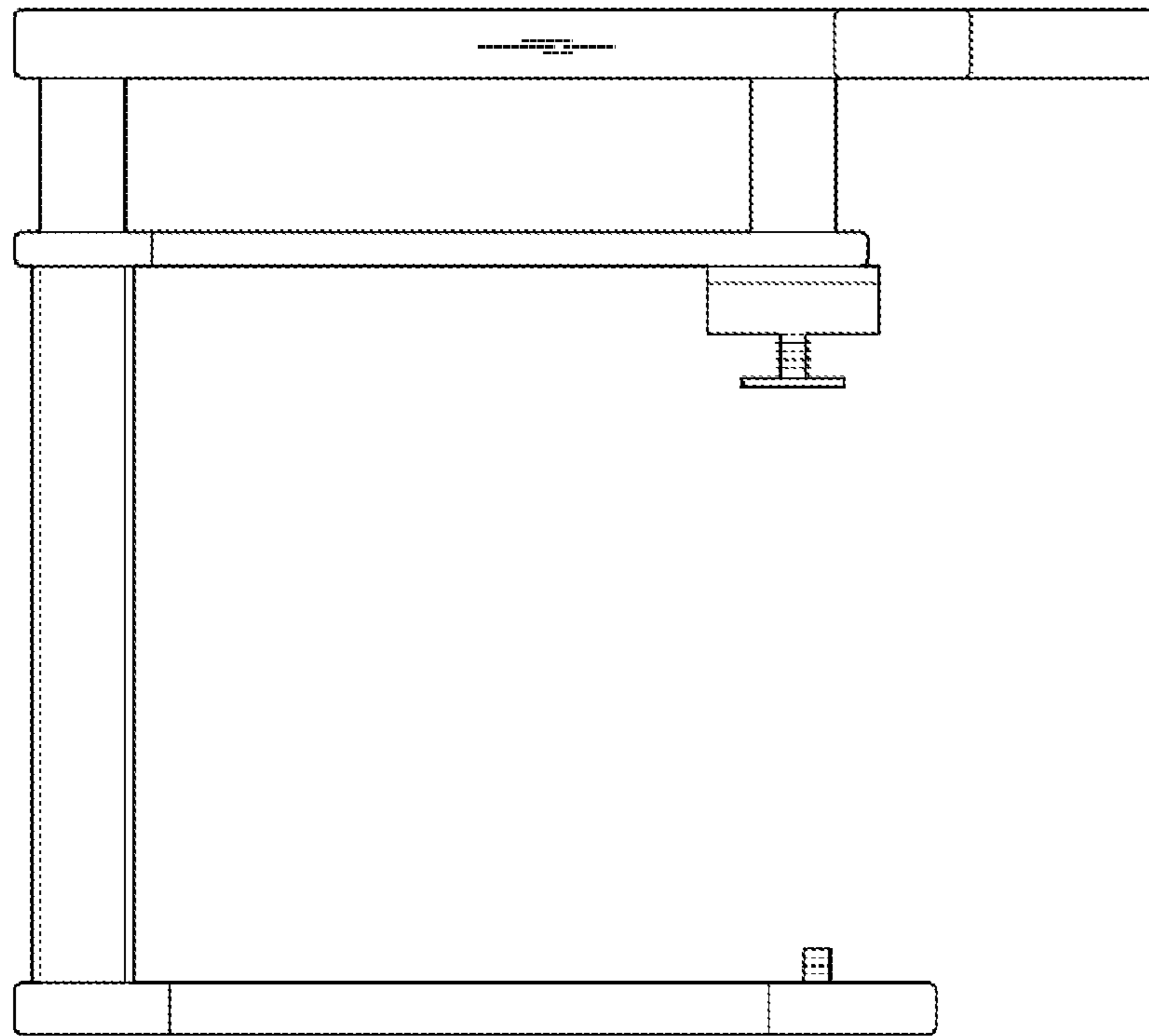


FIG. 4

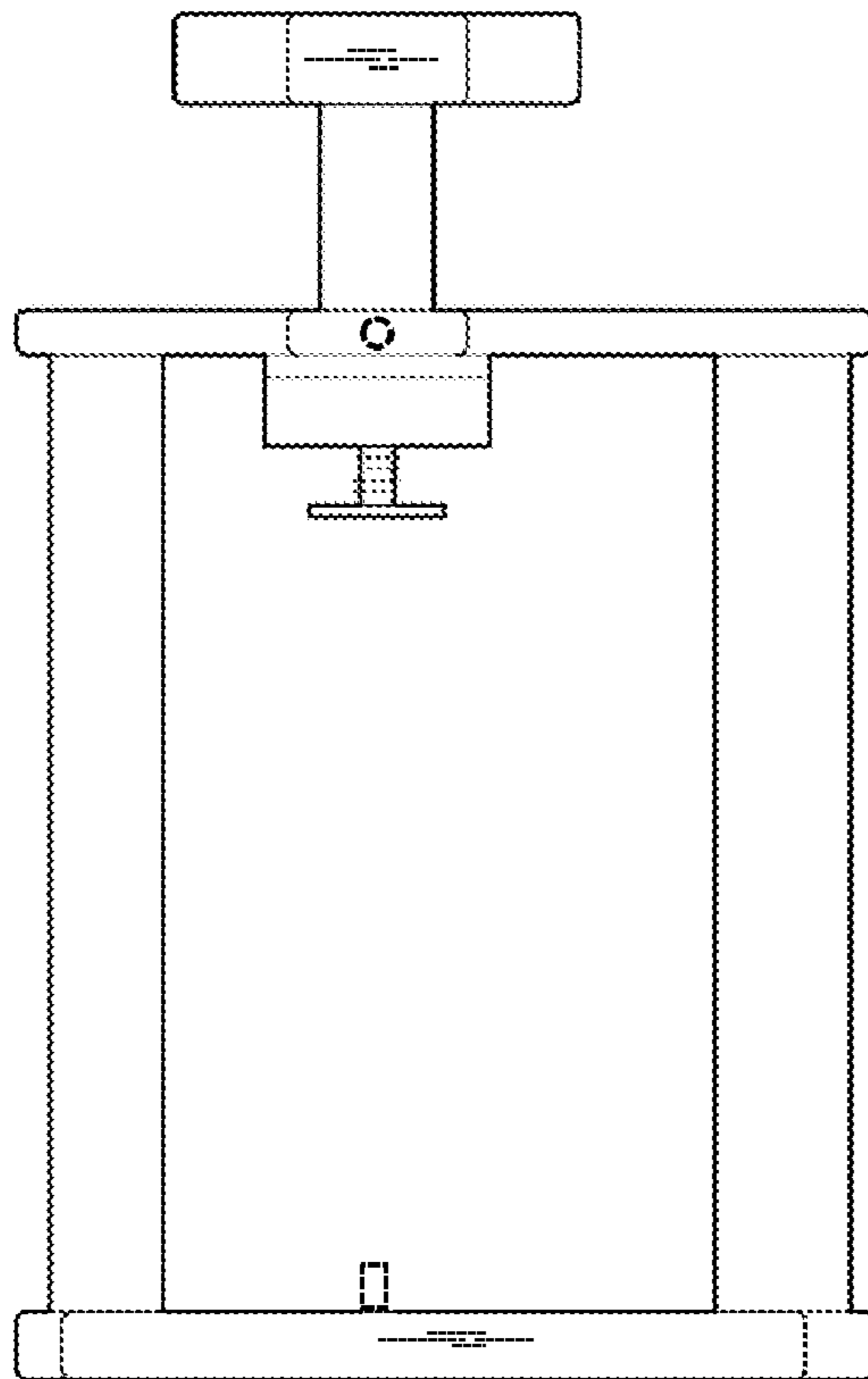
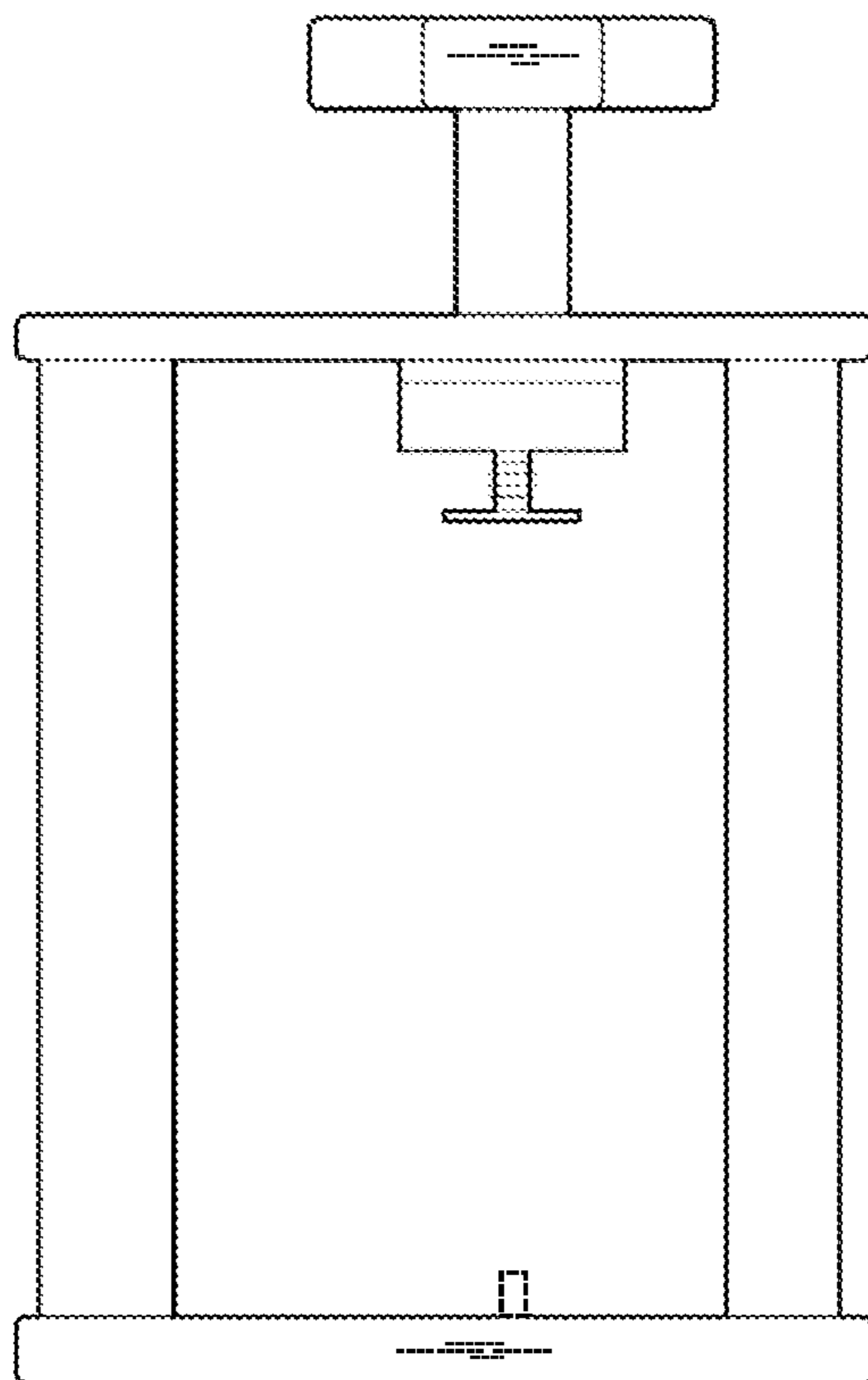


FIG. 5



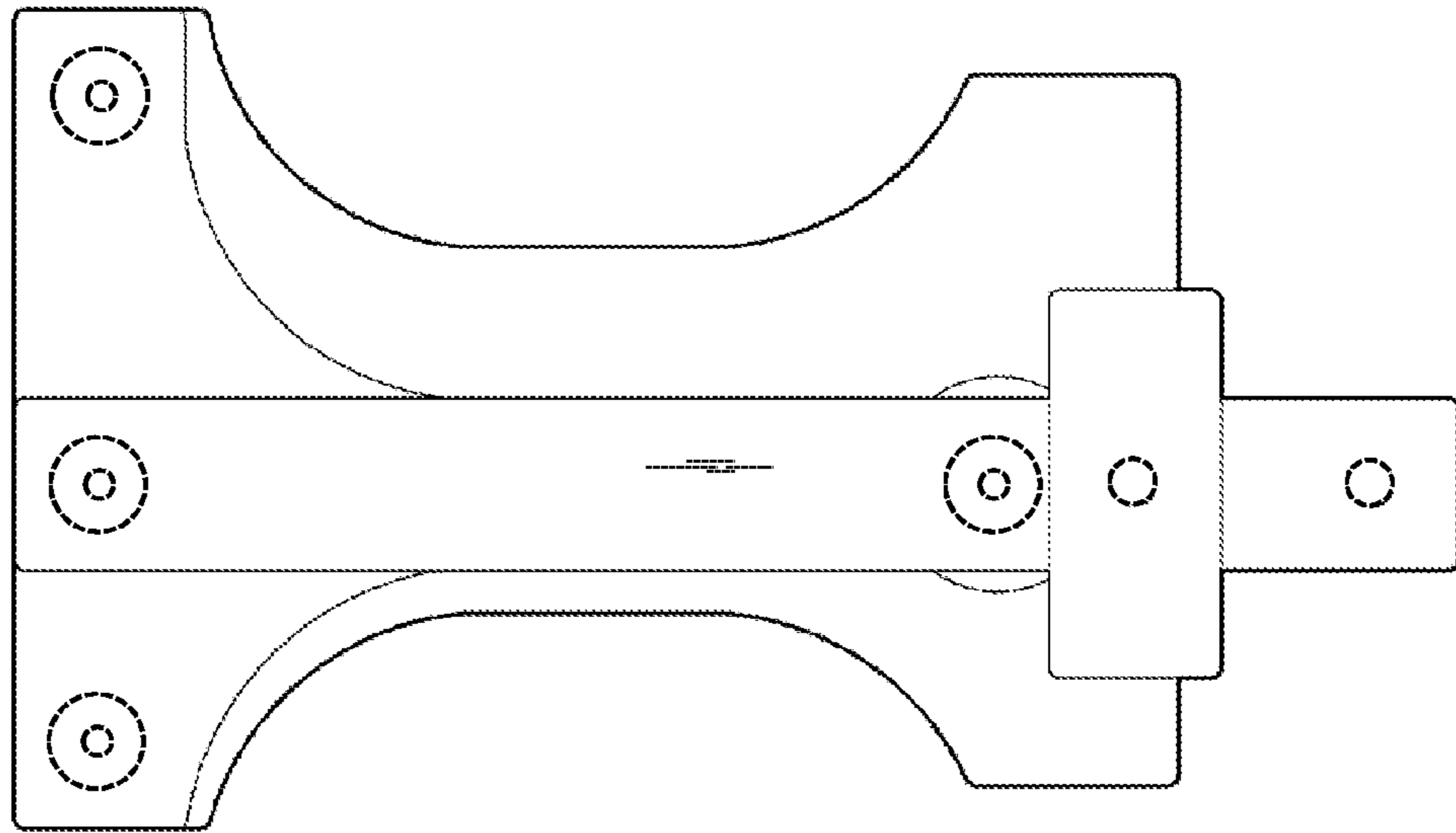


FIG. 6

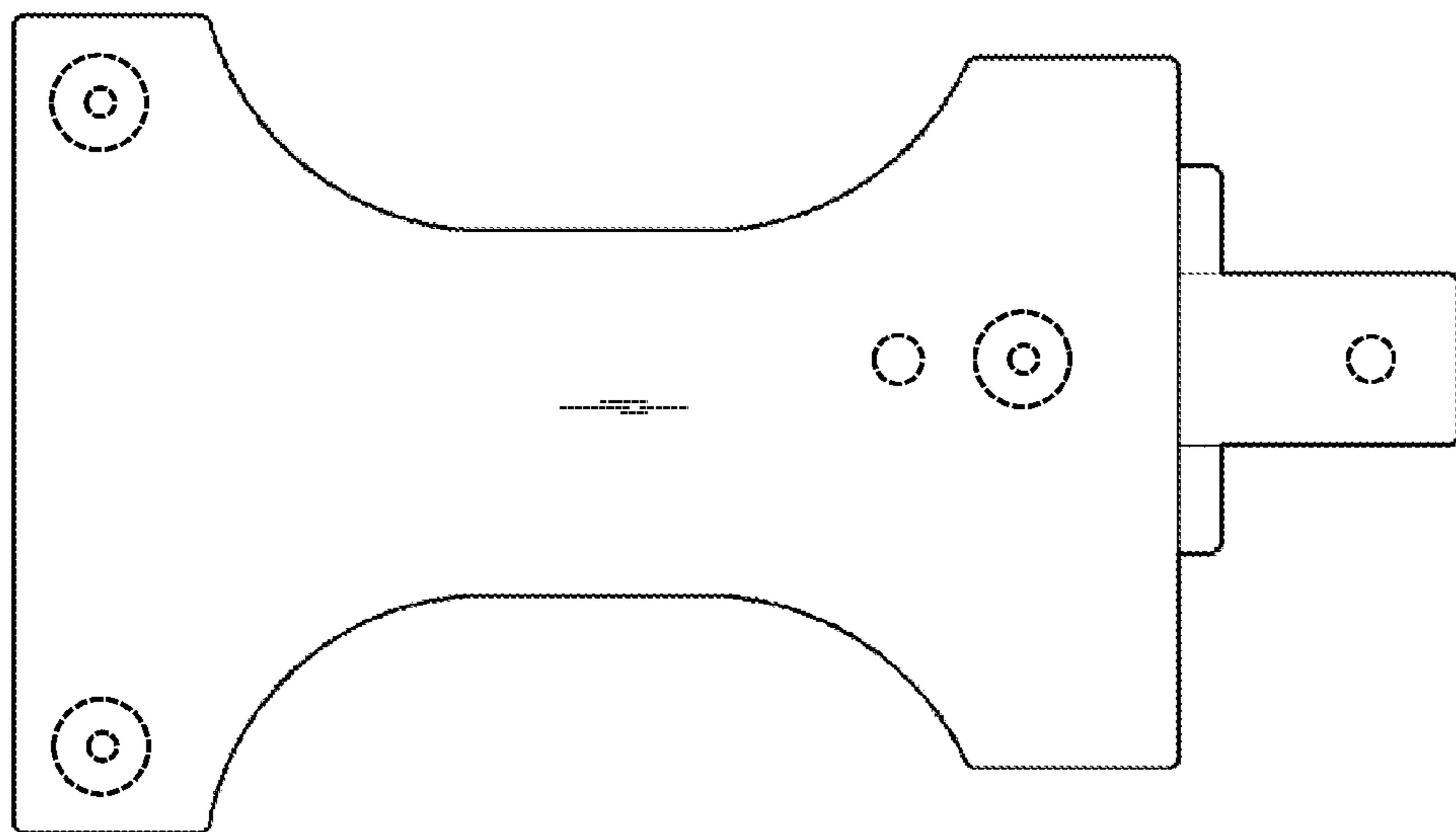


FIG. 7