



US00D654526S

(12) **United States Design Patent**
Shivkumar et al.

(10) **Patent No.:** **US D654,526 S**

(45) **Date of Patent:** **** Feb. 21, 2012**

(54) **DESKTOP CAMERA**

(75) Inventors: **Peter Shivkumar**, Almonte (CA);
Daniel Alexander Oleskevich, Ottawa
(CA); **Stephen Yen-Chern Yao**, Calgary
(CA)

(73) Assignee: **SMART Technologies ULC**, Calgary,
Alberta (CA)

(**) Term: **14 Years**

(21) Appl. No.: **29/353,749**

(22) Filed: **Jan. 13, 2010**

(51) **LOC (9) Cl.** **16-01**

(52) **U.S. Cl.** **D16/200; D16/232**

(58) **Field of Classification Search** D16/200,
D16/203, 208, 221, 225, 229, 232; D14/423;
348/373-376; 353/112, 119, DIG. 3, DIG. 4
See application file for complete search history.

(56) **References Cited**

U.S. PATENT DOCUMENTS

5,863,209	A *	1/1999	Kim	348/373
D425,098	S *	5/2000	Oh	D16/232
D569,890	S	5/2008	Sukenari et al.		
D603,889	S	11/2009	Sukenari et al.		
2007/0146653	A1 *	6/2007	Sukenari et al.	353/120

* cited by examiner

Primary Examiner — Nanda Bondade

(74) *Attorney, Agent, or Firm* — Katten Muchin Rosenman
LLP

(57) **CLAIM**

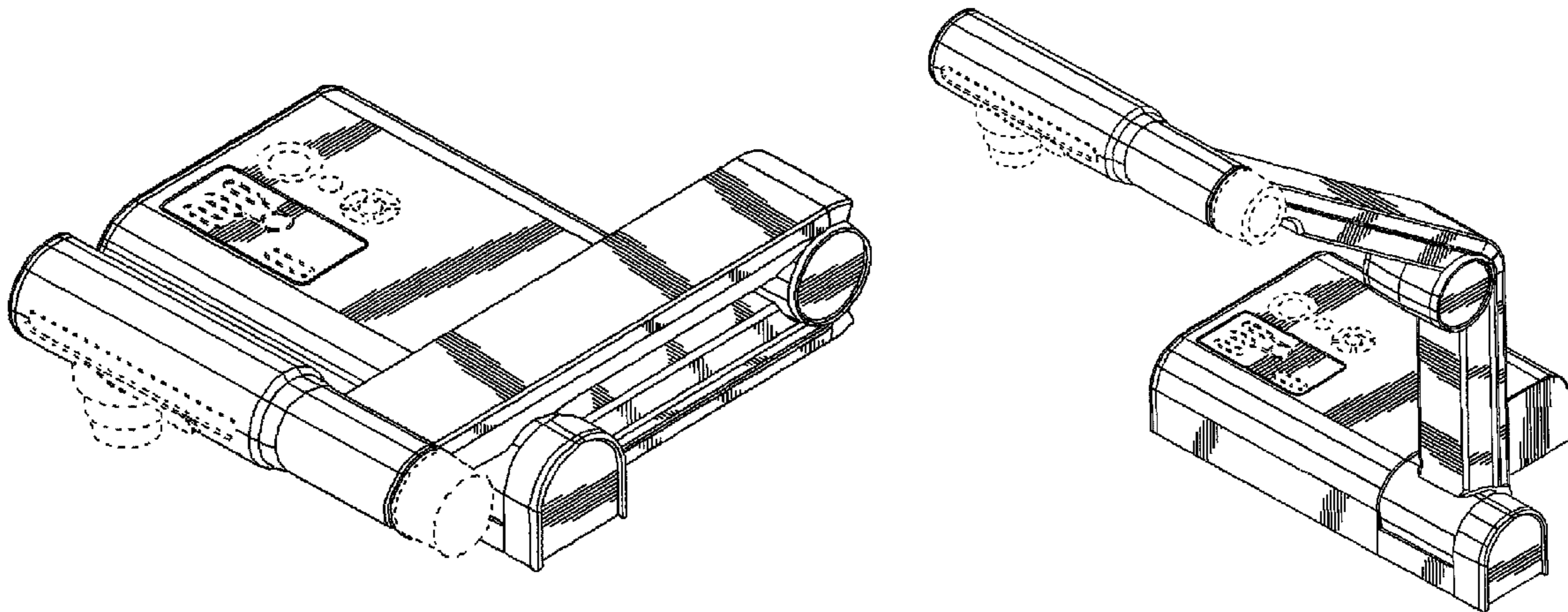
The ornamental design for a desktop camera, as shown and described.

DESCRIPTION

FIG. 1 is a perspective view of an embodiment of the desktop camera showing our new design in the storage position;
 FIG. 2 is a front view of the desktop camera showing our new design in the storage position;
 FIG. 3 is a back view of the desktop camera showing our new design in the storage position;
 FIG. 4 is a top view of the desktop camera showing our new design in the storage position;
 FIG. 5 is a bottom view of the desktop camera showing our new design in the storage position;
 FIG. 6 is a left side view of the desktop camera showing our new design in the storage position;
 FIG. 7 is a right side view the desktop camera showing our new design in the storage position;
 FIG. 8 is a perspective view of the desktop camera in the in-use position with two arms extended;
 FIG. 9 is a front view of the desktop camera in the in-use position with two arms extended;
 FIG. 10 is a back view of the desktop camera in the in-use position with two arms extended;
 FIG. 11 is a top view of the desktop camera in the in-use position with two arms extended;
 FIG. 12 is a bottom view of the desktop camera in the in-use position with two arms extended;
 FIG. 13 is a right-side view of the desktop camera in the in-use position with two arms extended; and,
 FIG. 14 is a left-side view of the desktop camera in the in-use position with two arms extended.

The broken lines shown on the drawing disclosure are for illustrative purposes only and form no part of the claimed design.

1 Claim, 12 Drawing Sheets



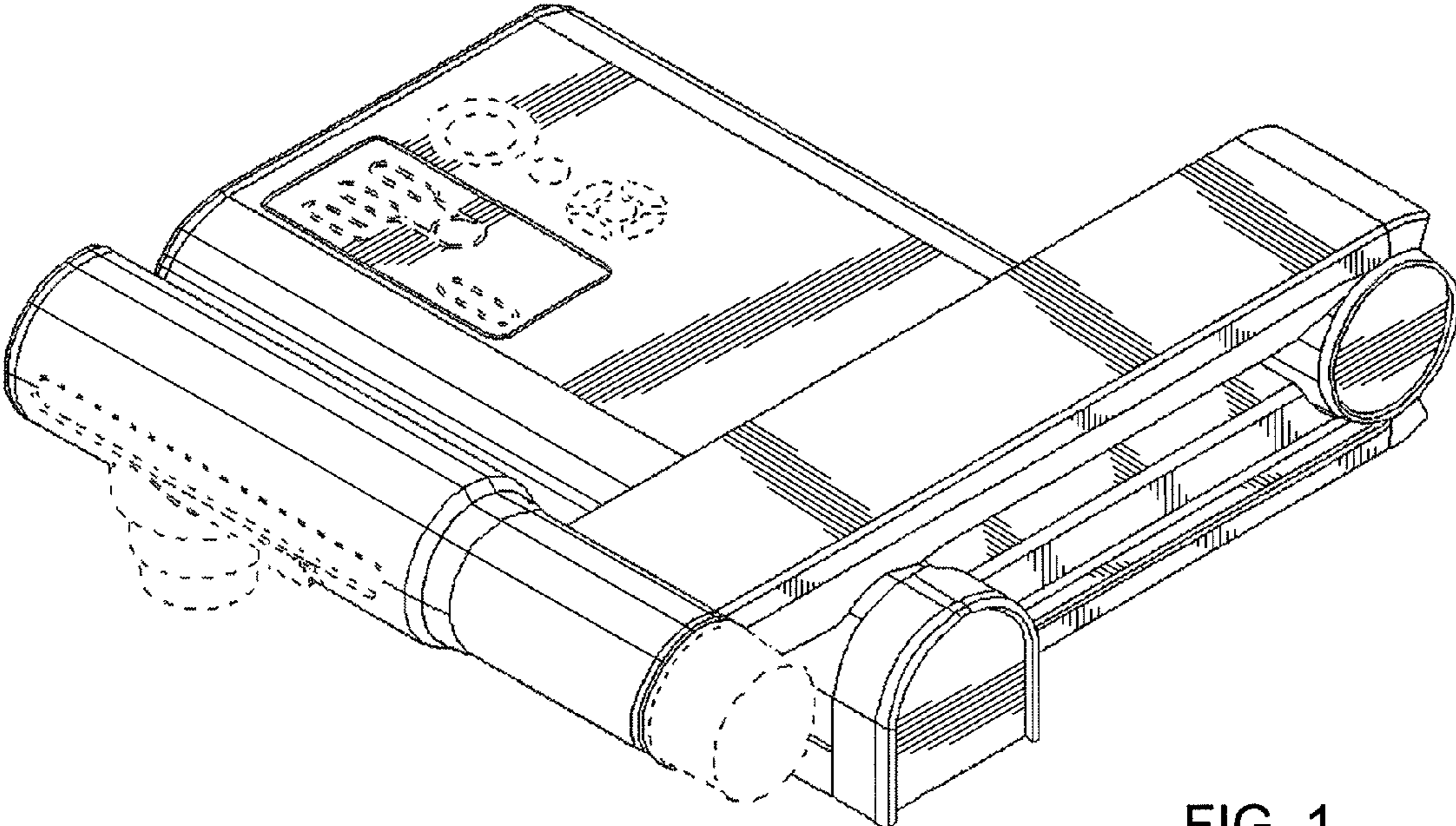


FIG. 1

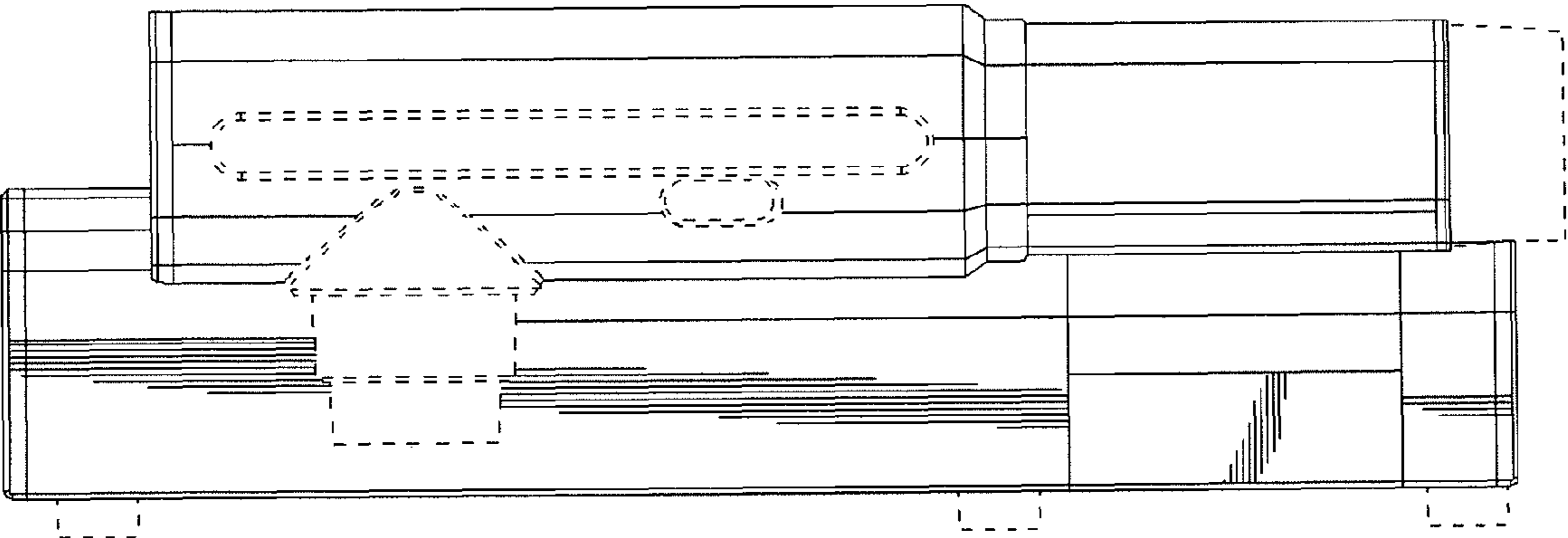


FIG. 2

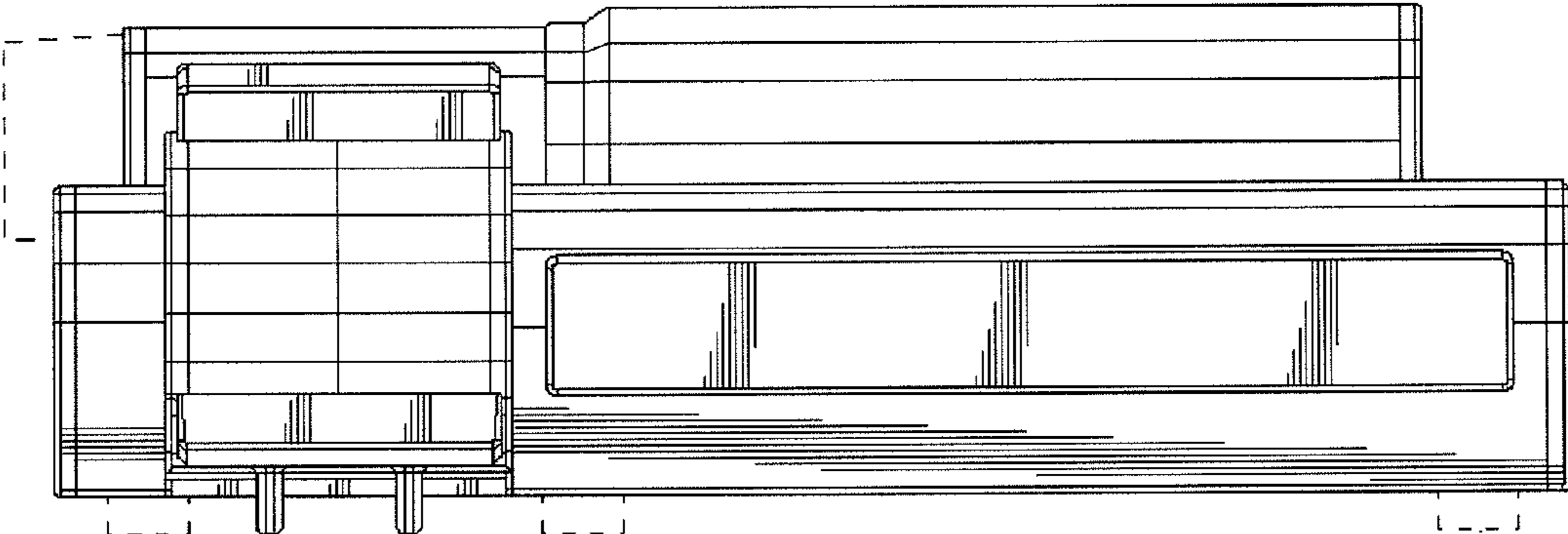


FIG. 3

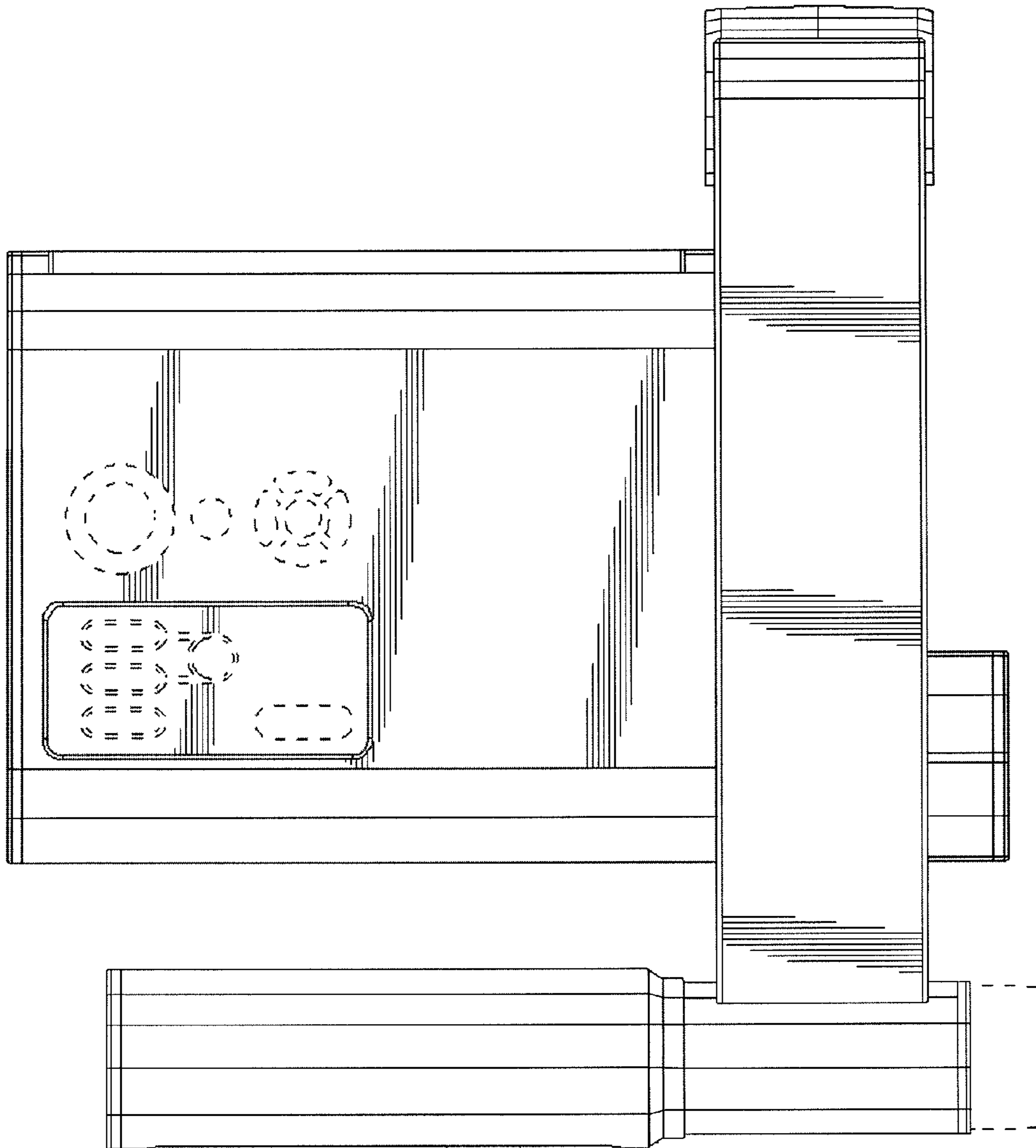


FIG. 4

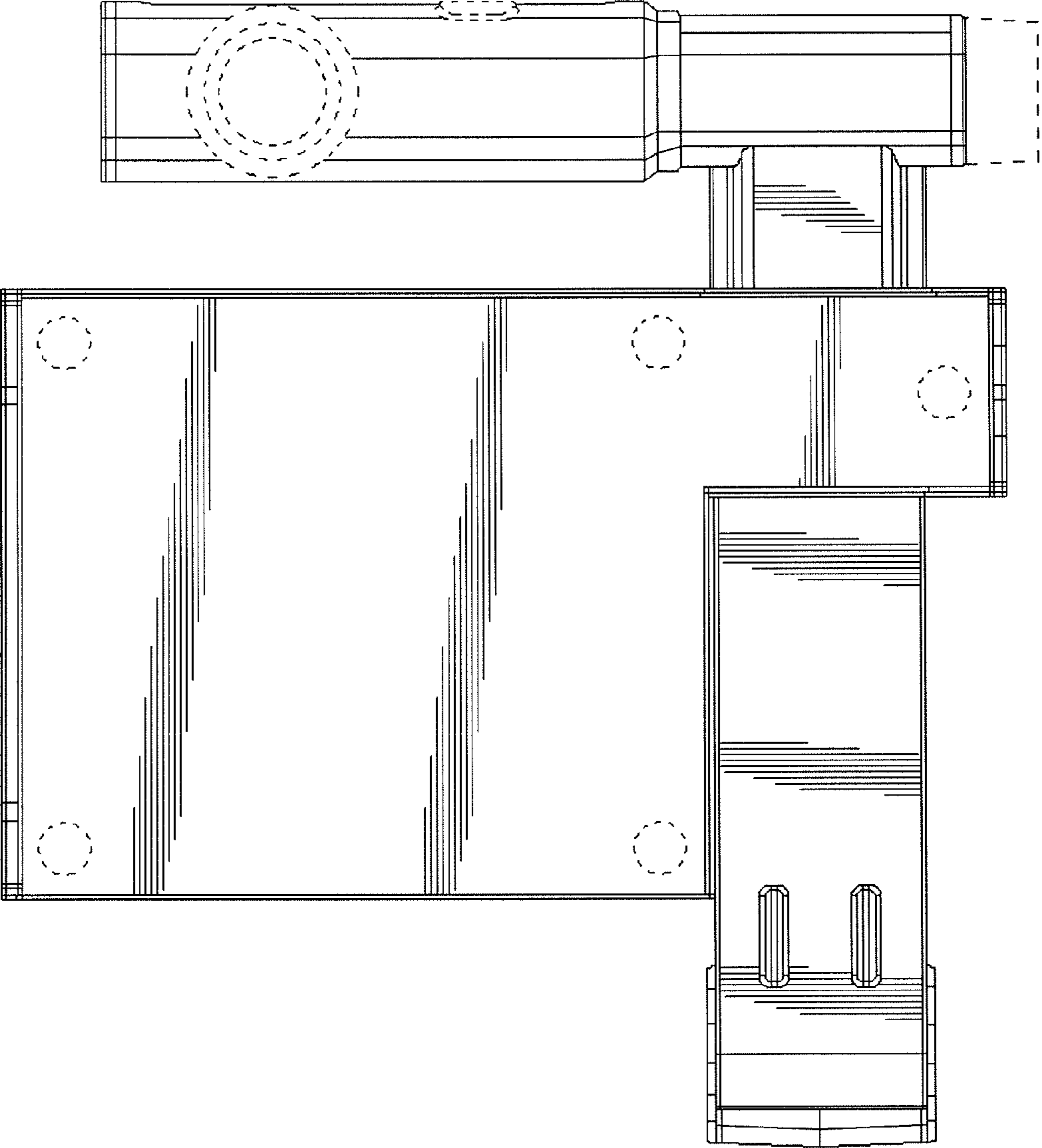


FIG. 5

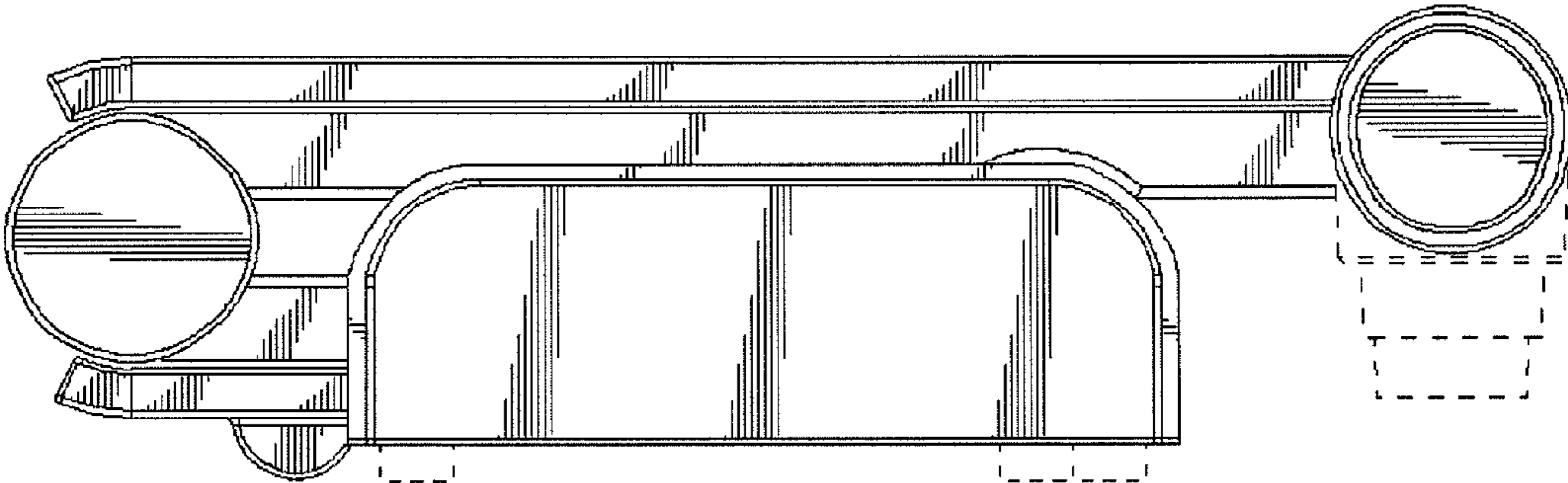


FIG. 6

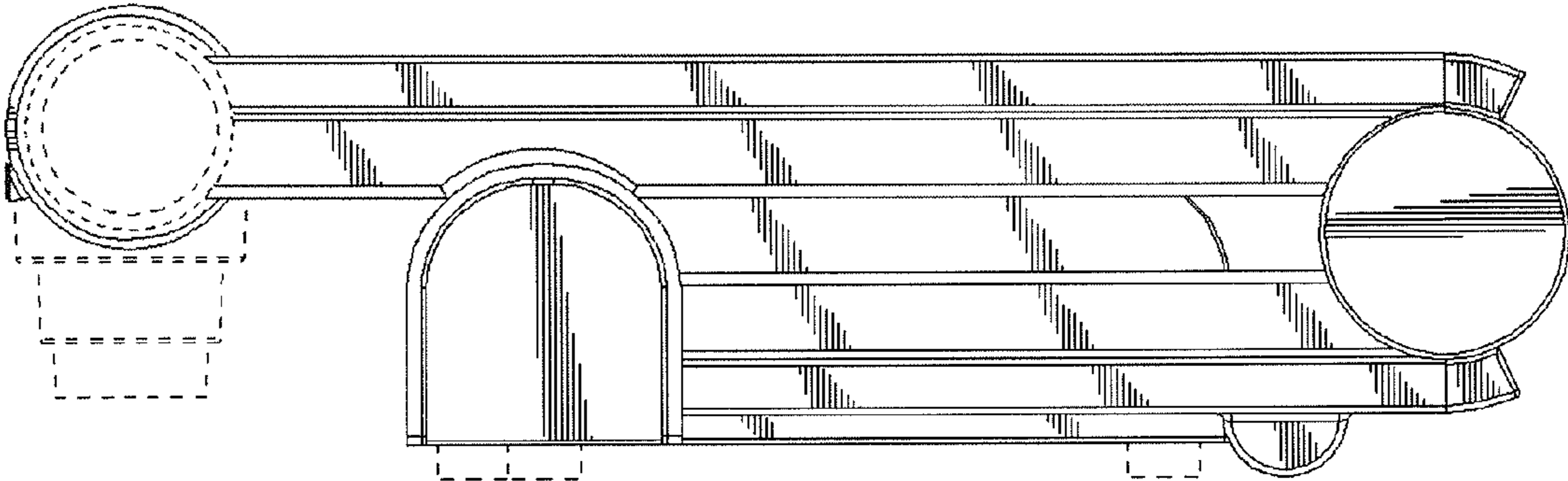


FIG. 7

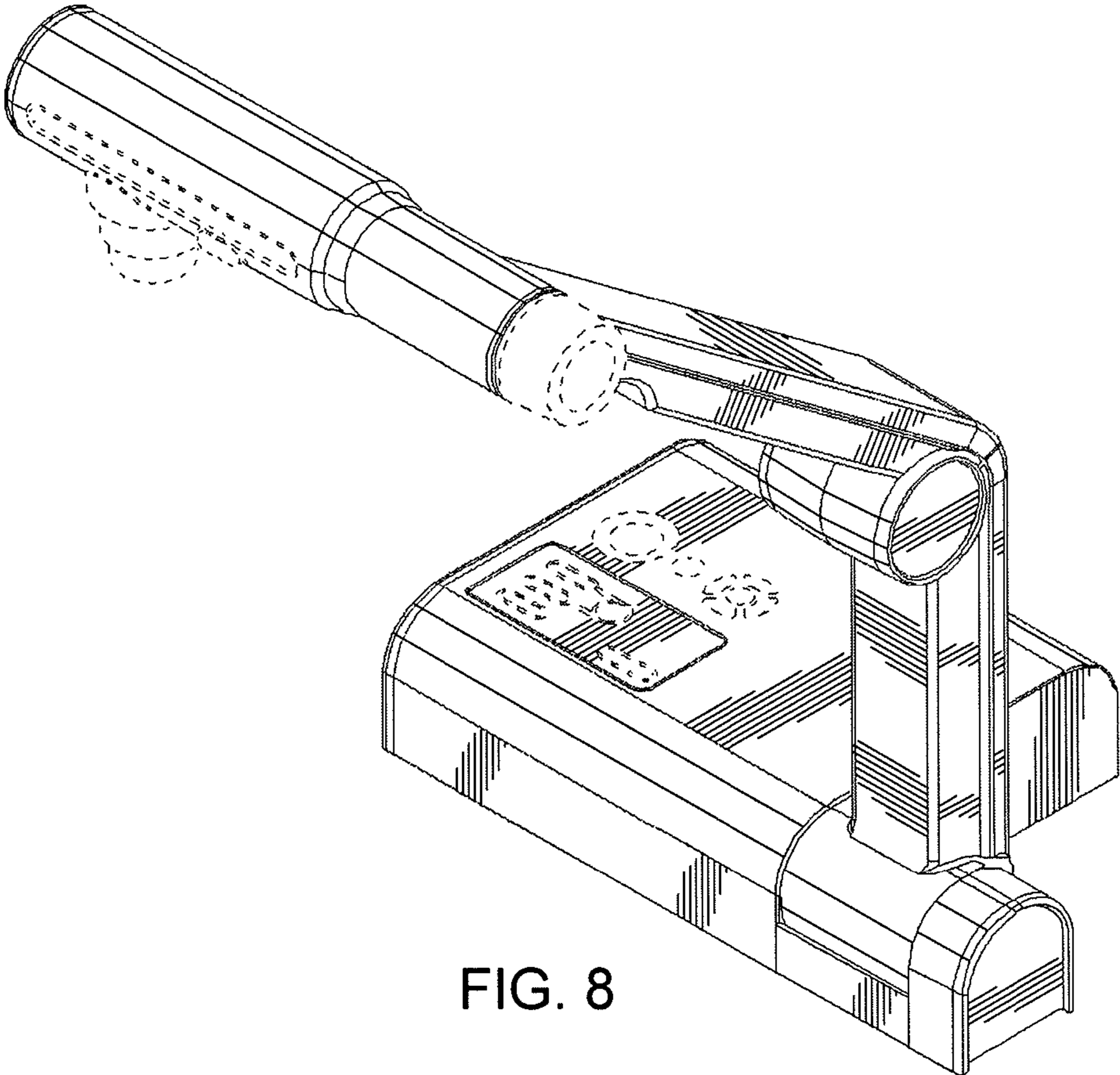
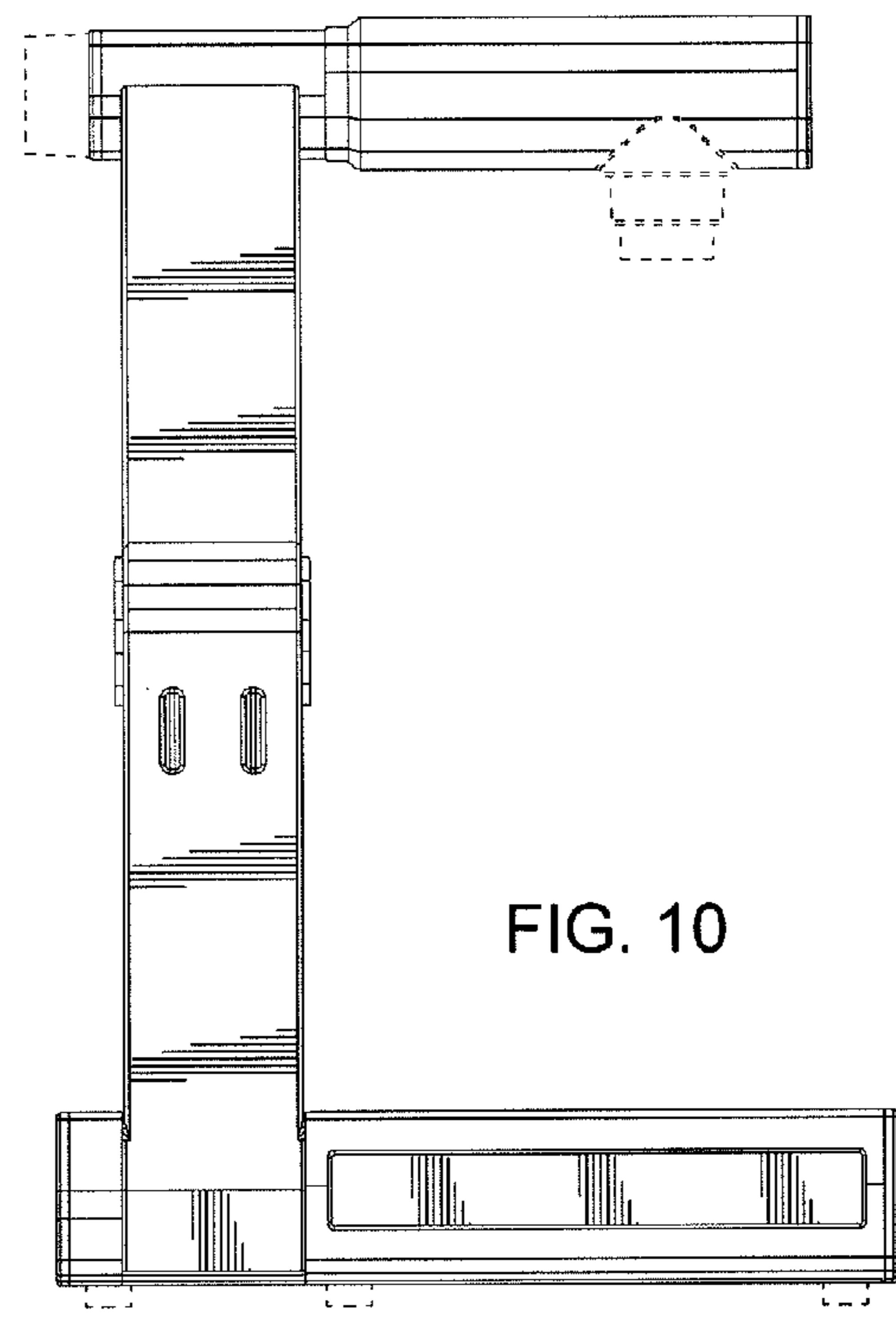
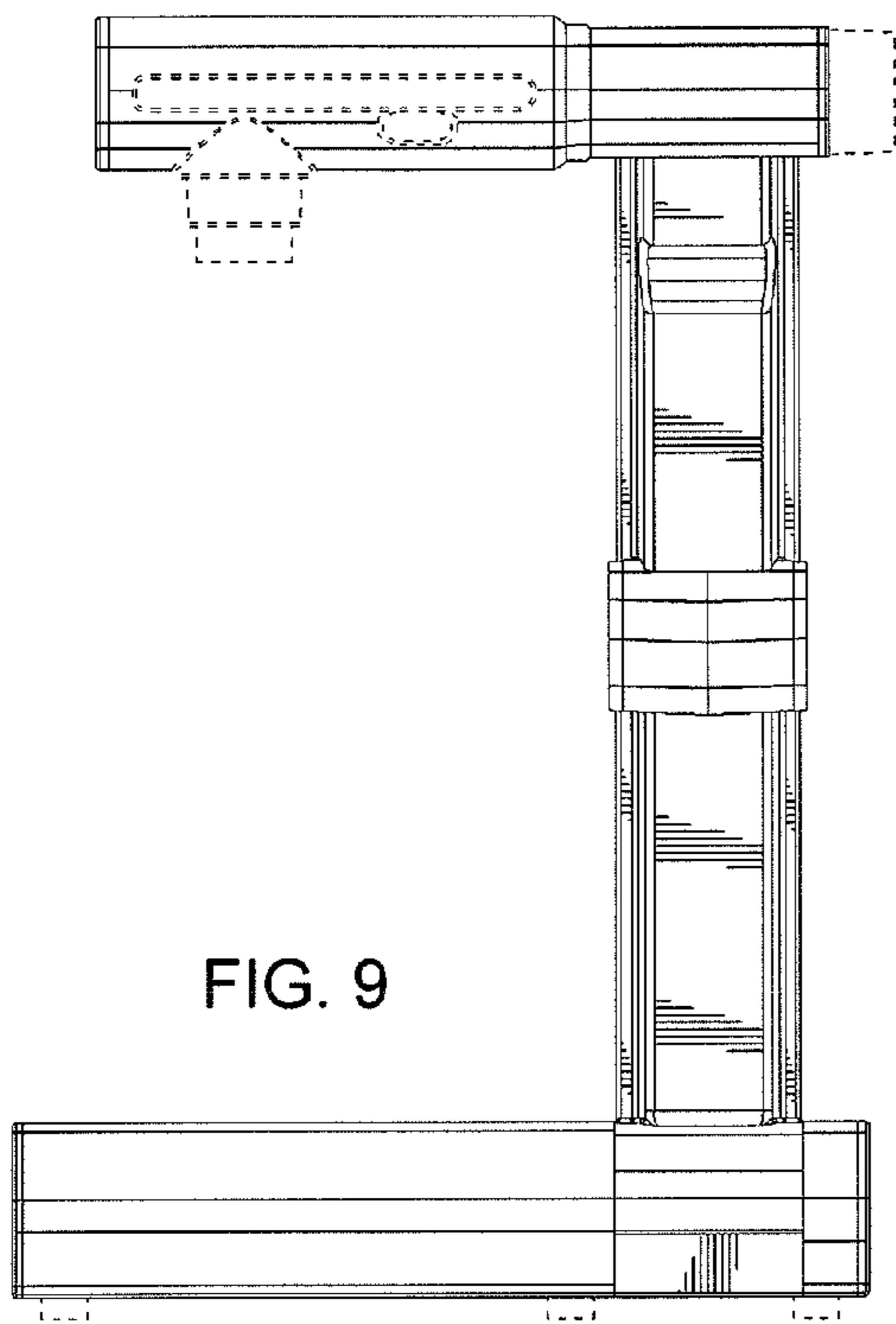


FIG. 8



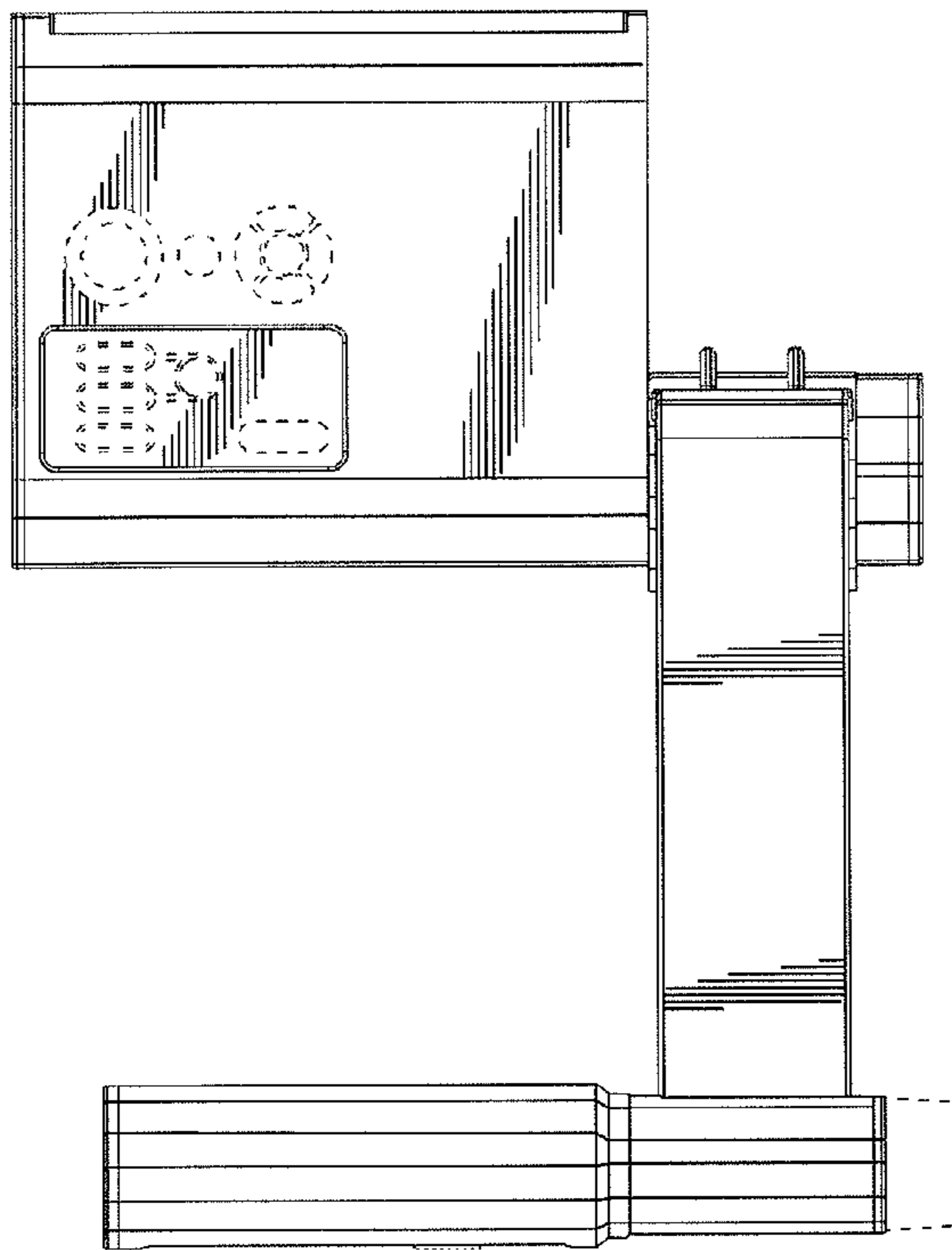


FIG. 11

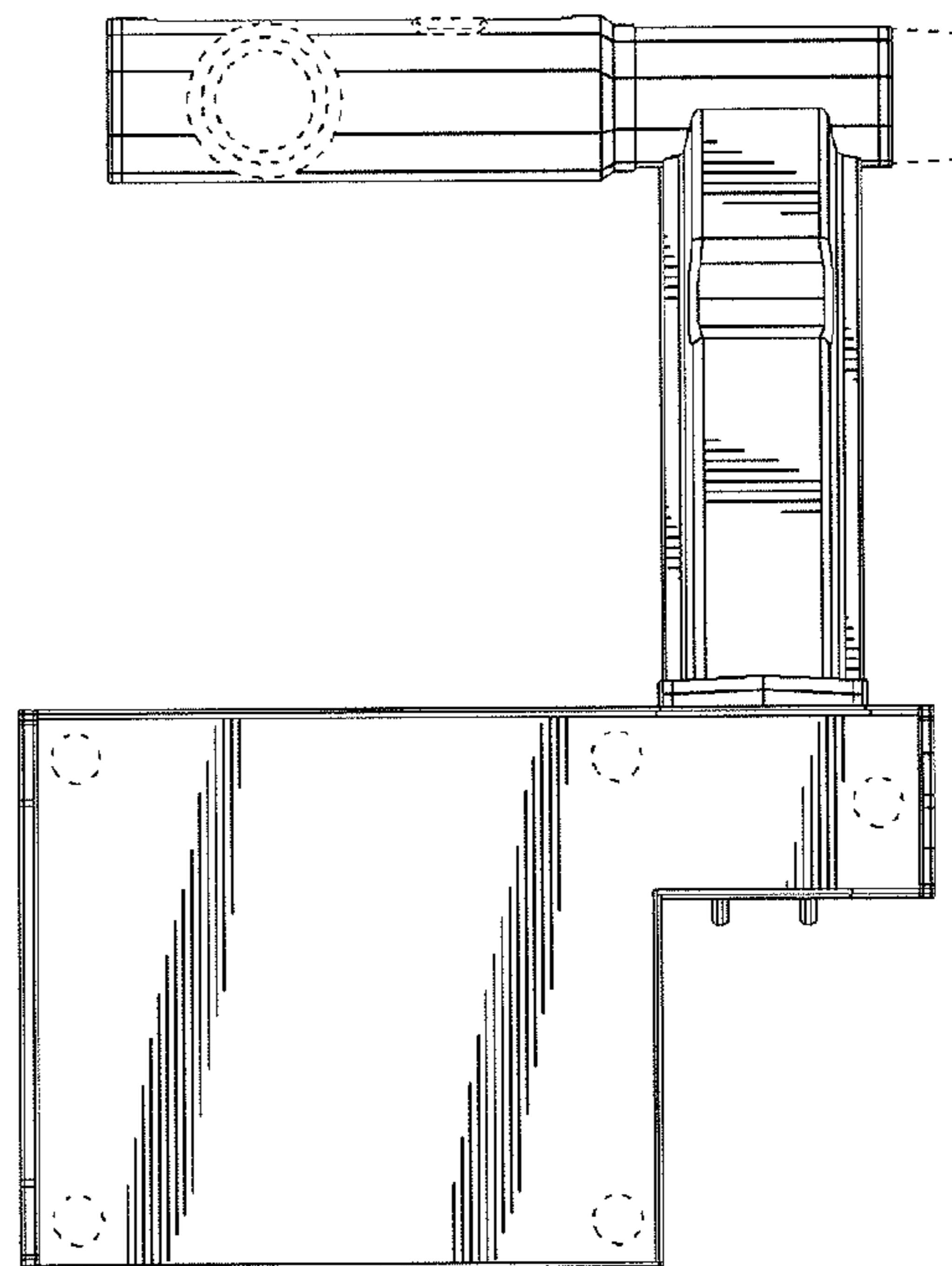


FIG. 12

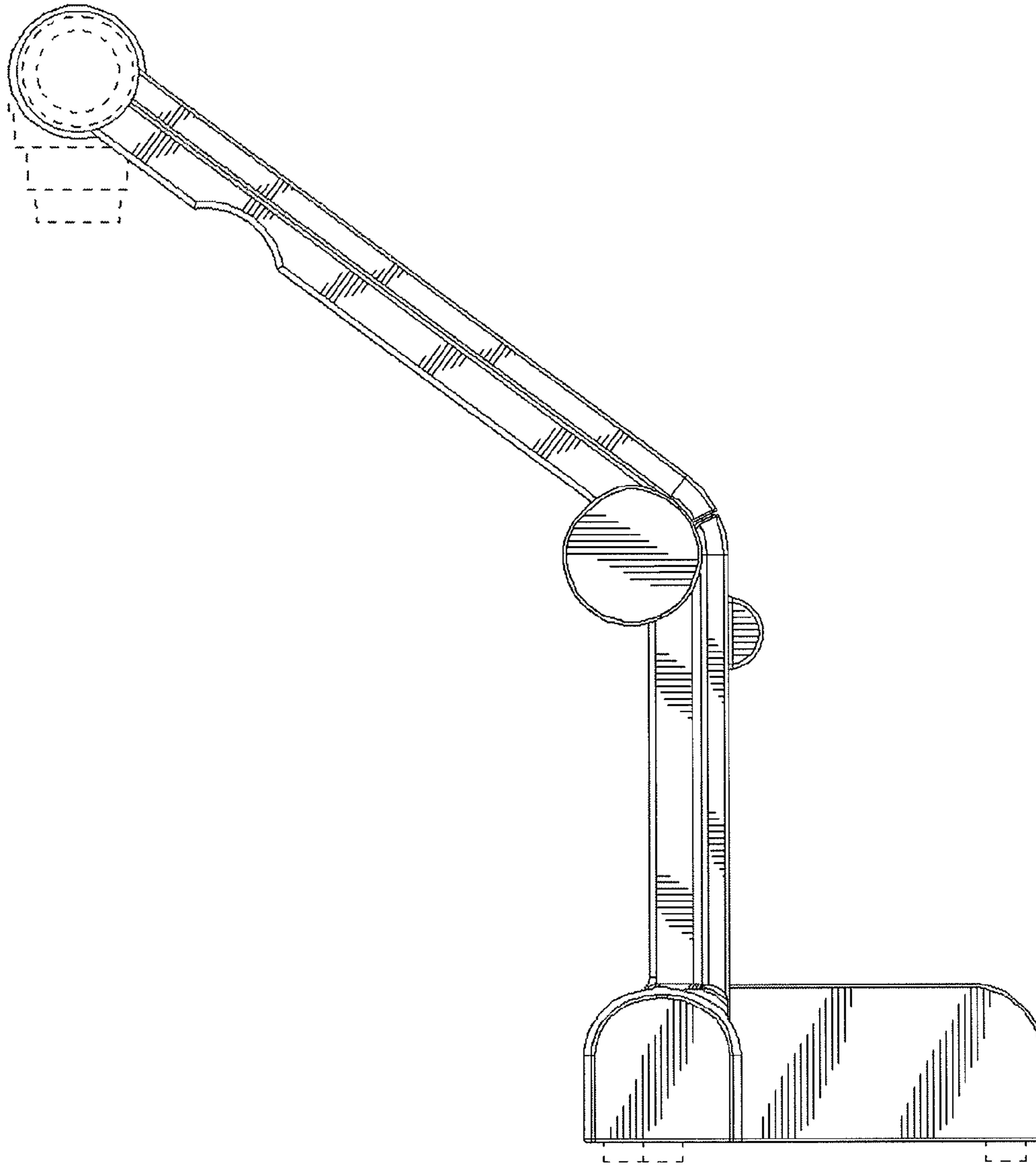


FIG. 13

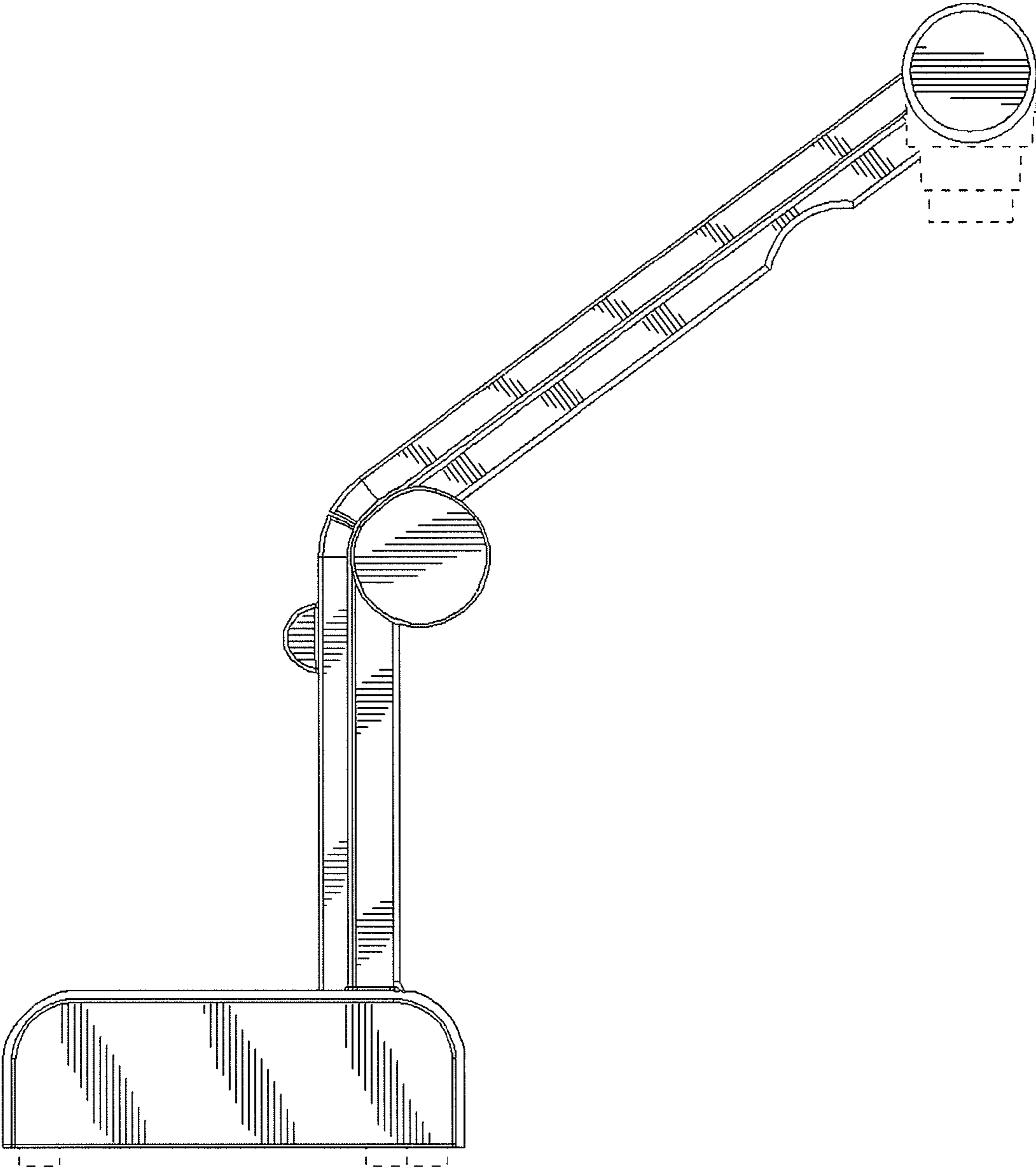


FIG. 14