



US00D654525S

(12) **United States Design Patent**  
**Lai et al.**

(10) **Patent No.:** **US D654,525 S**

(45) **Date of Patent:** **\*\* \*Feb. 21, 2012**

(54) **OPTICAL LENS**

(75) Inventors: **Chih-Ming Lai**, Miao-Li Hsien (TW);  
**Ming-Young Shiao**, Miao-Li Hsien  
(TW)

(73) Assignee: **Foxsemicon Integrated Technology,  
Inc.**, Chu-Nan, Miao-Li Hsien (TW)

(\*) Notice: This patent is subject to a terminal disclaimer.

(\*\*) Term: **14 Years**

(21) Appl. No.: **29/363,310**

(22) Filed: **Jun. 8, 2010**

**Related U.S. Application Data**

(63) Continuation of application No. 29/352,825, filed on Dec. 28, 2009.

(51) **LOC (9) Cl.** ..... **16-06**

(52) **U.S. Cl.** ..... **D16/134**

(58) **Field of Classification Search** ..... D16/130,  
D16/135, 137, 101, 134; D26/124; 359/641,  
359/737, 710, 211.1, 718, 811; 362/305,  
362/334, 327, 294, 517, 328, 307; 273/148 R  
See application file for complete search history.

(56) **References Cited**

**U.S. PATENT DOCUMENTS**

D145,638 S \* 9/1946 Rosenberg ..... D16/135  
D191,851 S \* 11/1961 Lazor ..... D16/135  
D204,319 S \* 4/1966 Stewart ..... D16/137

D206,956 S \* 2/1967 Stewart ..... D16/137  
3,535,025 A \* 10/1970 Shannon ..... 359/837  
5,523,889 A \* 6/1996 Bewsher ..... 359/710  
D406,598 S \* 3/1999 Grijalva ..... D16/134  
D457,540 S \* 5/2002 Kieronski ..... D16/130  
D485,287 S \* 1/2004 Taylor ..... D16/135  
D496,379 S \* 9/2004 Do ..... D16/134  
D508,062 S \* 8/2005 Rashidi ..... D16/134  
D508,510 S \* 8/2005 Galli ..... D16/134  
D510,373 S \* 10/2005 Rashidi ..... D16/134  
7,524,098 B2 \* 4/2009 Vennetier et al. .... 362/555  
D619,754 S \* 7/2010 Lai et al. .... D26/124  
D619,756 S \* 7/2010 Lai et al. .... D26/124  
D624,948 S \* 10/2010 Lai et al. .... D16/134

\* cited by examiner

*Primary Examiner* — Paula Greene

(74) *Attorney, Agent, or Firm* — Altis Law Group, Inc.

(57) **CLAIM**

The ornamental design for an optical lens, as shown and described.

**DESCRIPTION**

FIG. 1 is a perspective view of an optical lens showing our new design.

FIG. 2 is a front elevational view thereof.

FIG. 3 is a rear elevational view thereof.

FIG. 4 is a left-side, elevational view thereof.

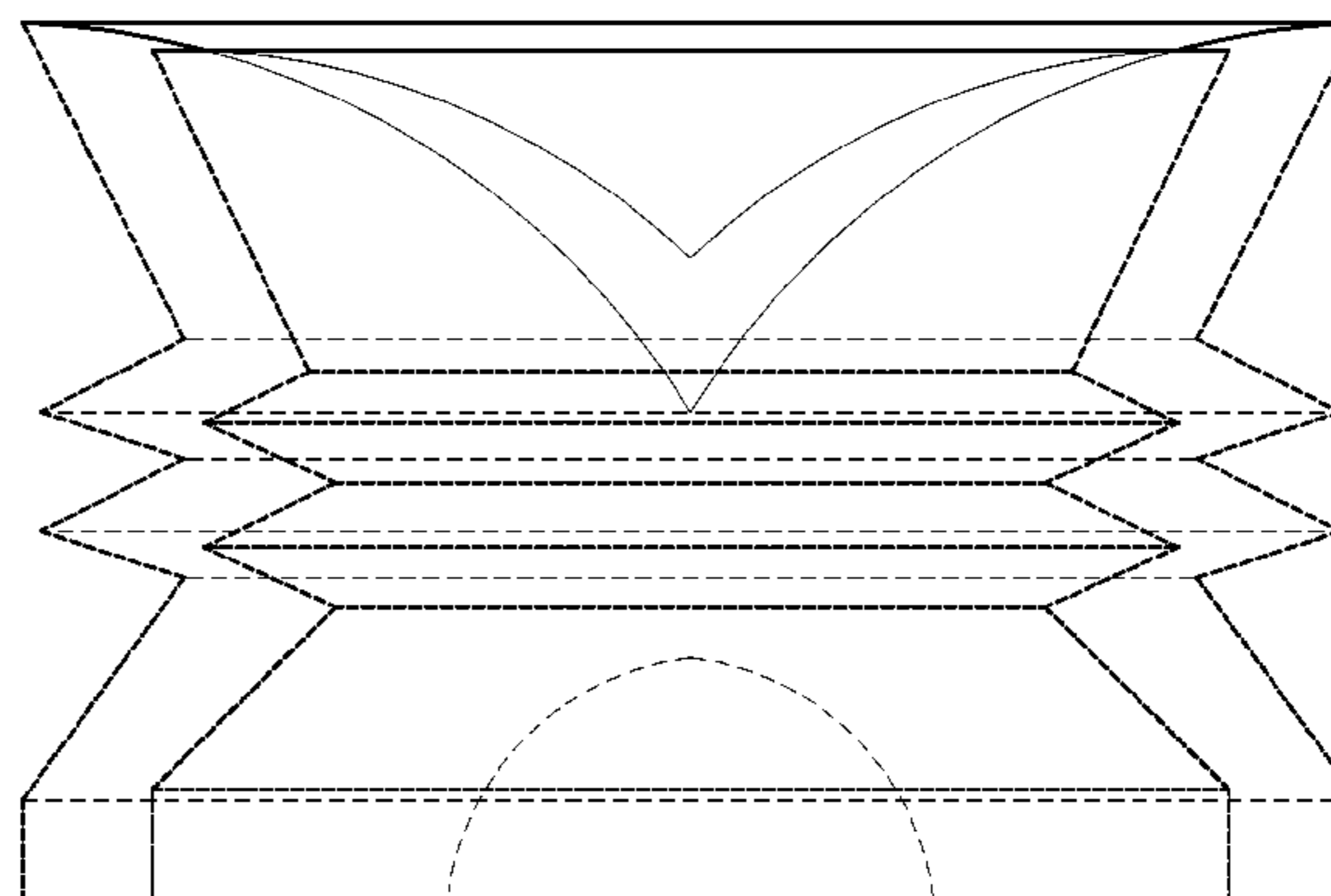
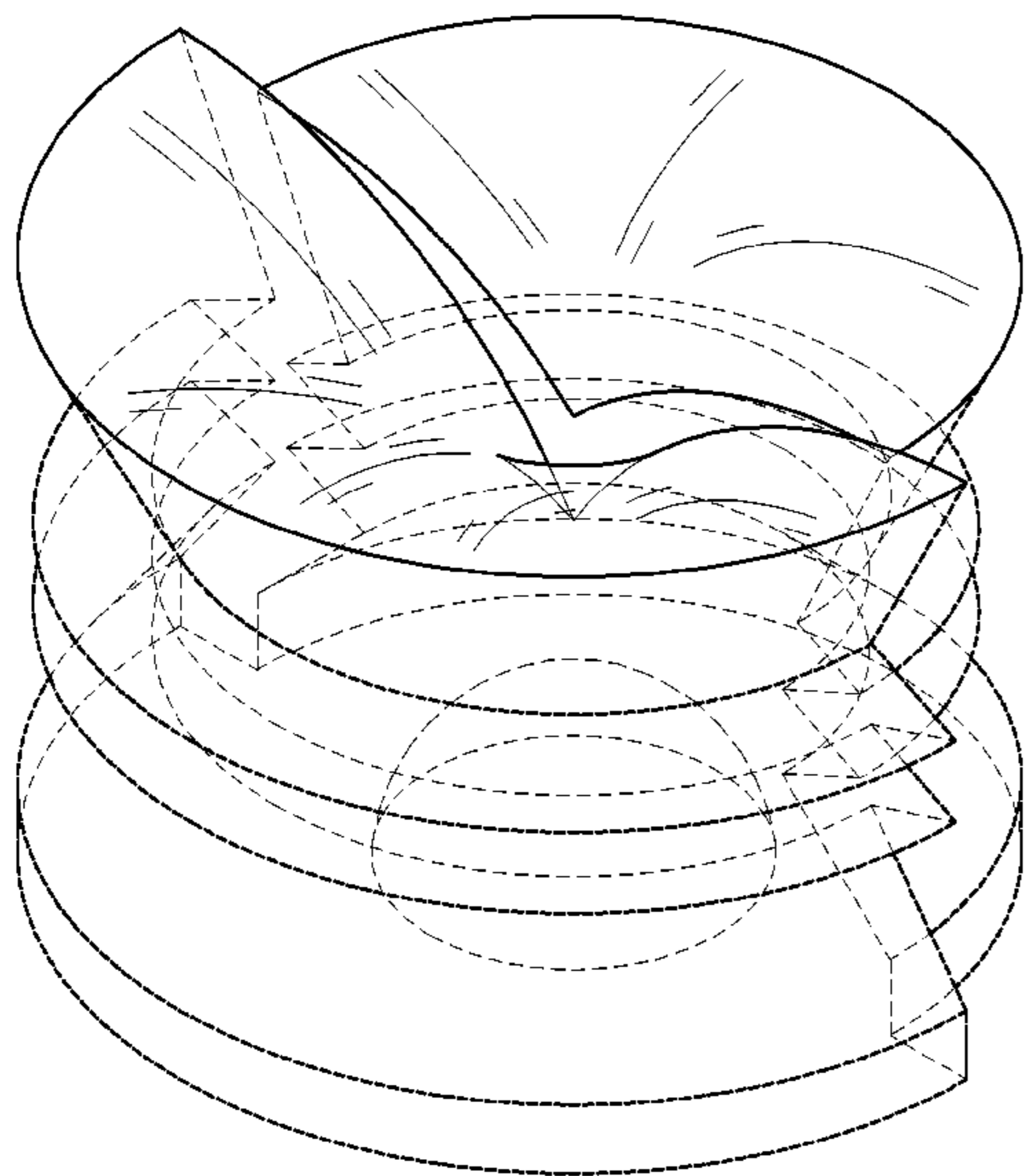
FIG. 5 is a right-side, elevational view thereof.

FIG. 6 is a top plan view thereof; and,

FIG. 7 is a bottom plan view thereof.

The broken lines showing of the environment are for illustrative purpose only and form no part of the claimed design.

**1 Claim, 7 Drawing Sheets**



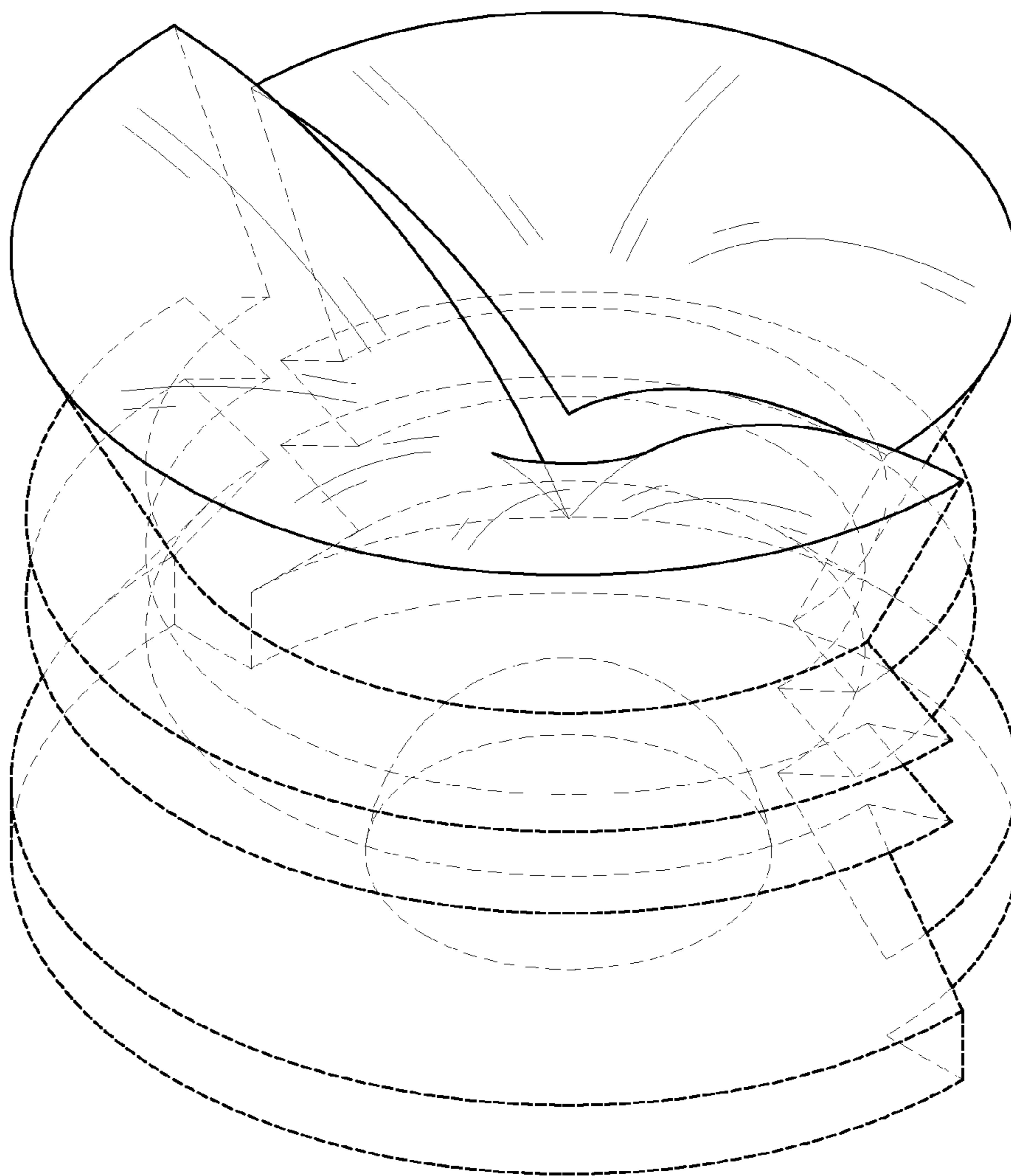


FIG. 1

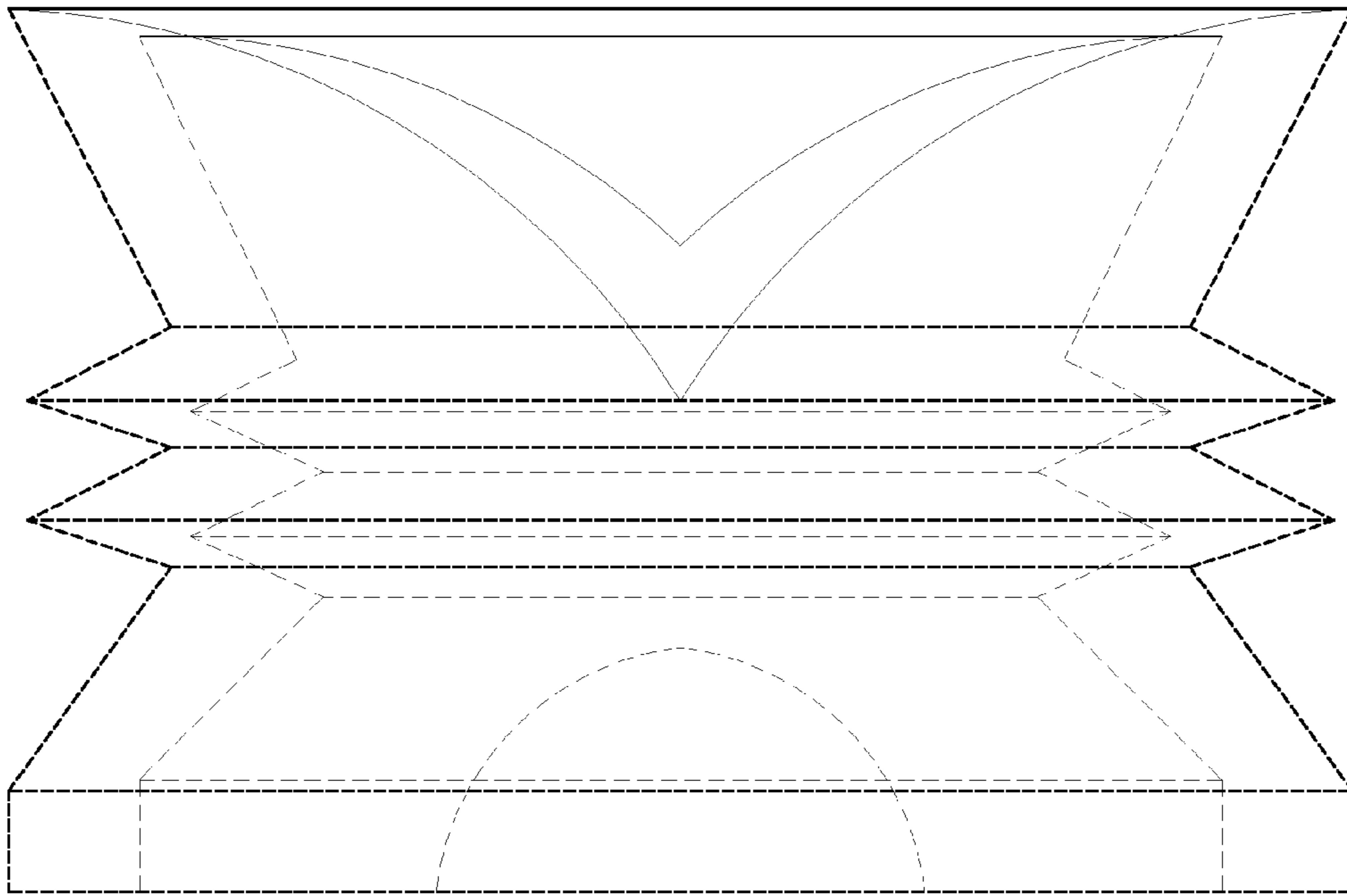


FIG. 2

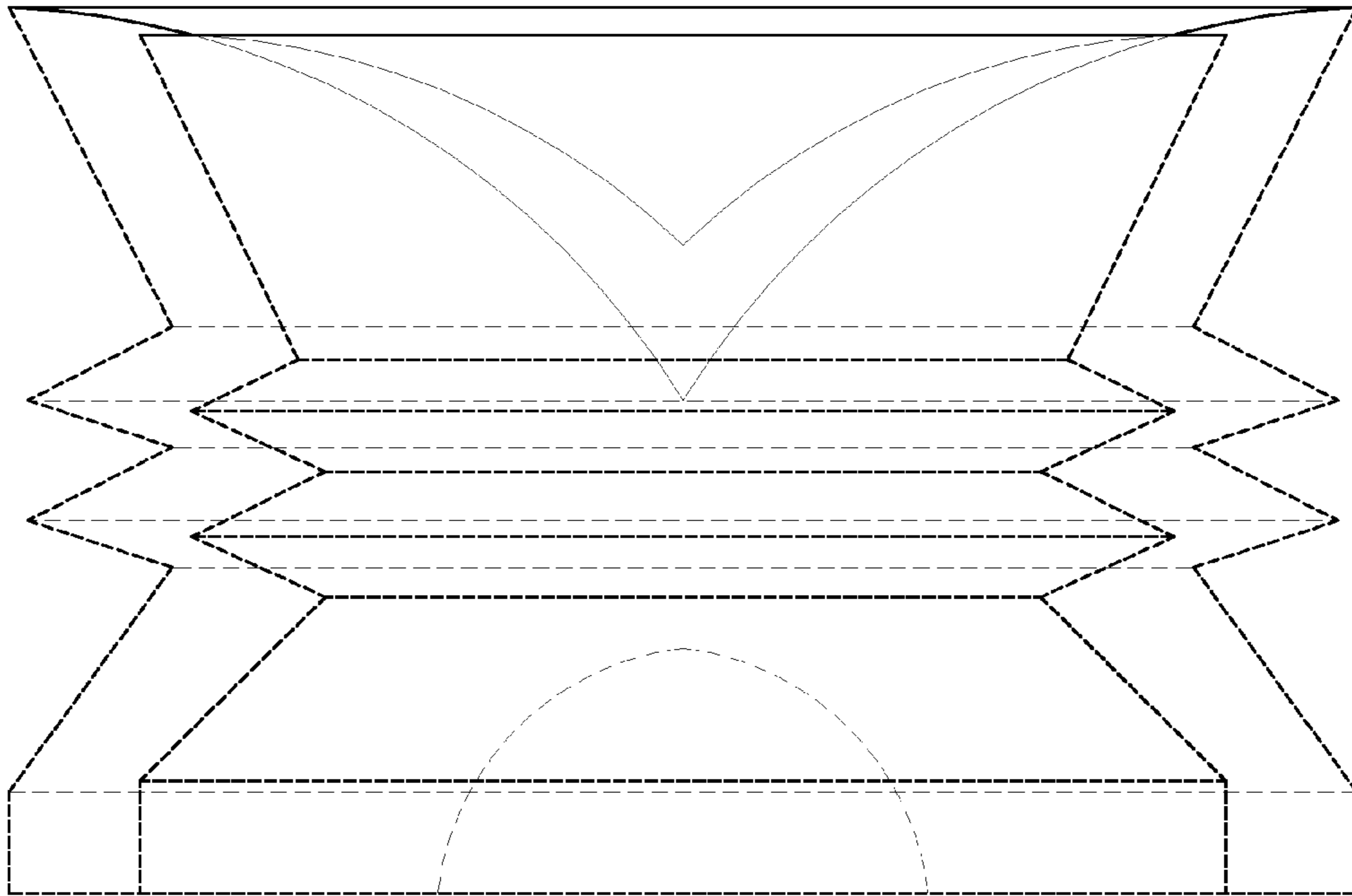


FIG. 3

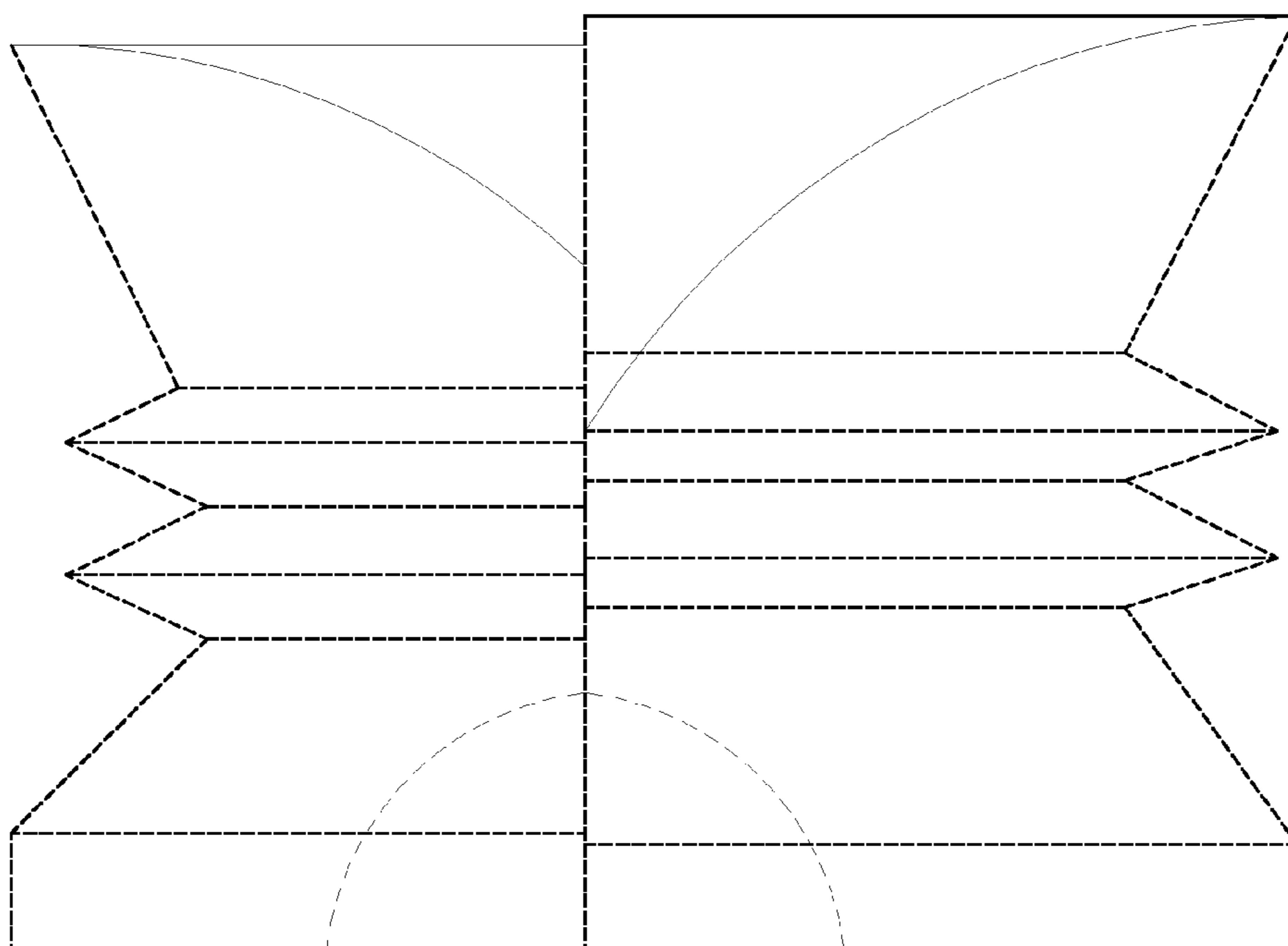


FIG. 4

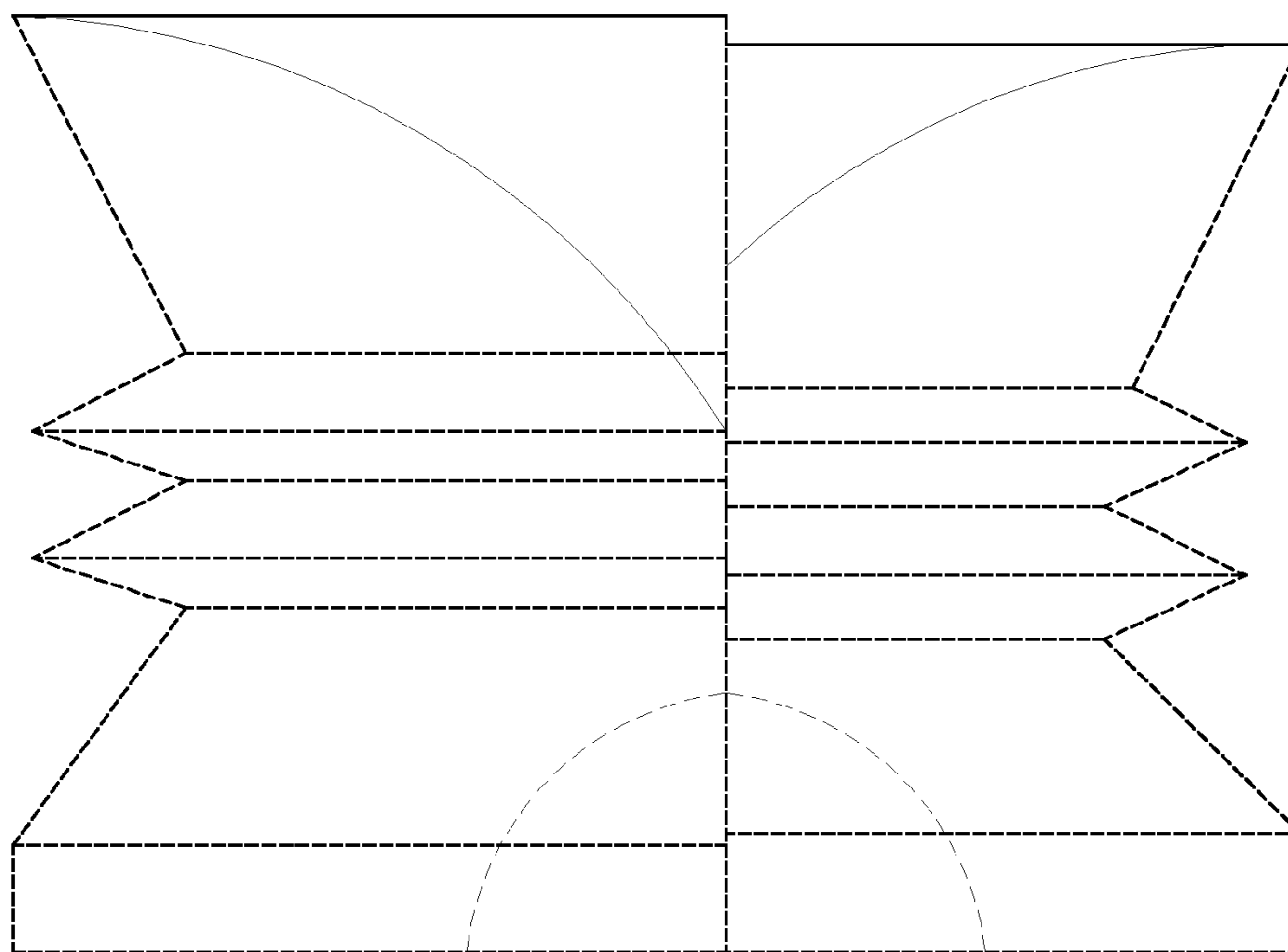


FIG. 5

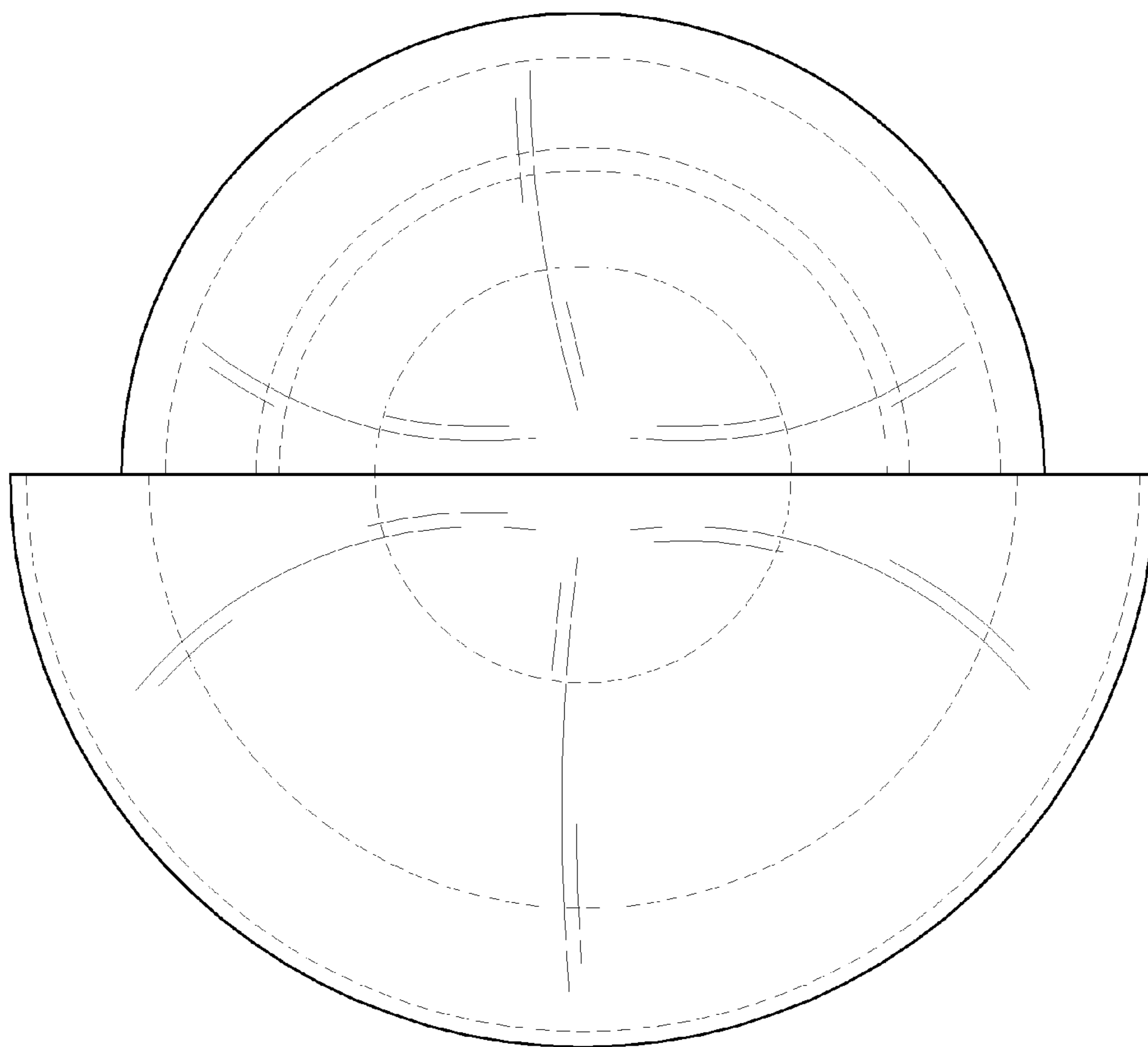


FIG. 6



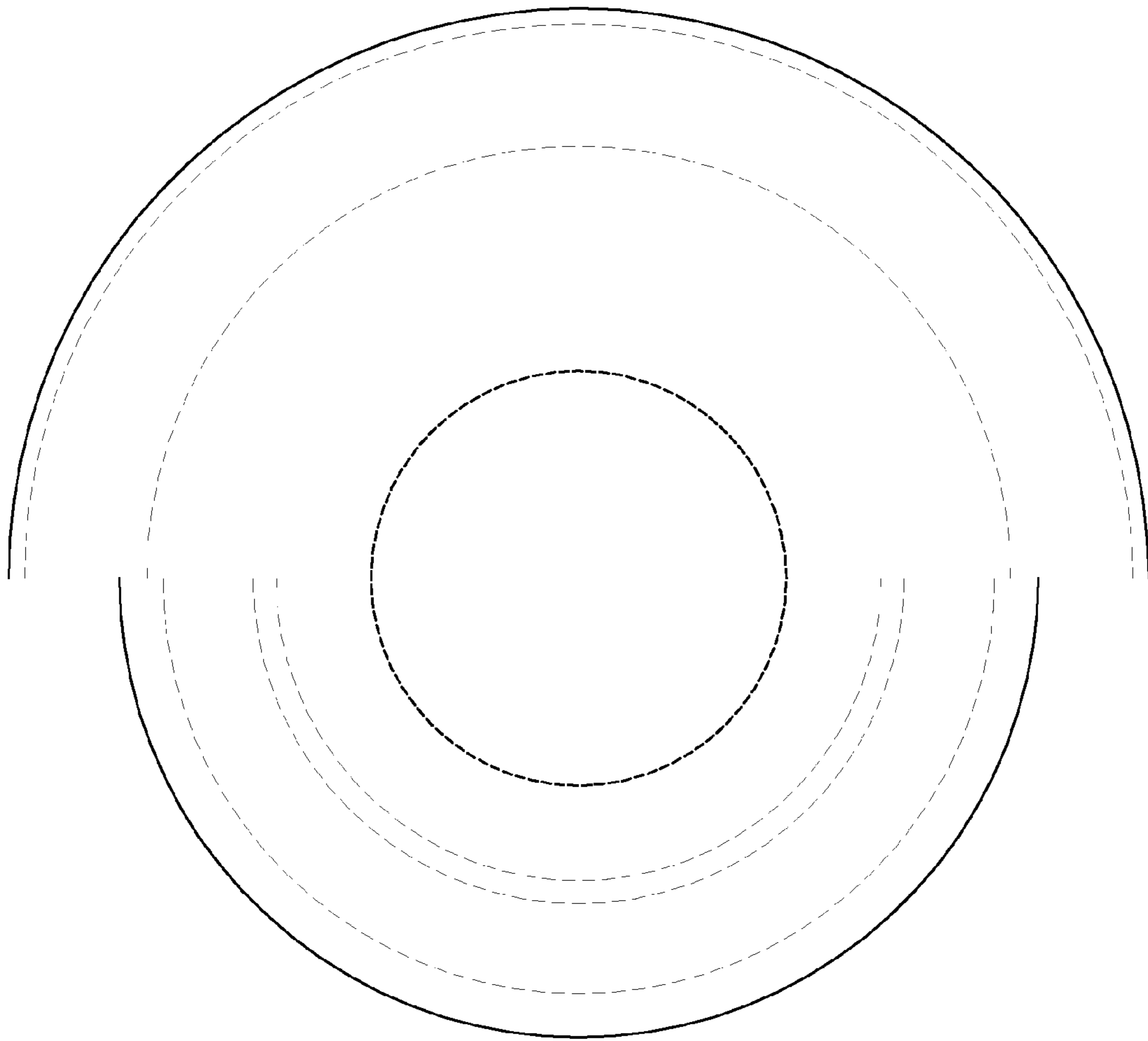


FIG. 7