



US00D654522S

(12) **United States Design Patent**
Zhang

(10) **Patent No.:** **US D654,522 S**

(45) **Date of Patent:** **** Feb. 21, 2012**

(54) **WASTE OIL EXTRACTION MACHINE**

(76) Inventor: **Shaoyu Zhang**, Guangdong (CN)

(**) Term: **14 Years**

(21) Appl. No.: **29/397,860**

(22) Filed: **Jul. 21, 2011**

(51) **LOC (9) Cl.** **15-09**

(52) **U.S. Cl.** **D15/152**

(58) **Field of Classification Search** D15/150-152;
D34/17, 18, 28; 141/86, 88, 98, 231, 375,
141/391; 184/106; 206/511; 280/47.23,
280/47.26, 47.35, 659

See application file for complete search history.

5,810,213 A *	9/1998	Flores et al.	222/610
D470,871 S *	2/2003	Burger et al.	D15/150
D477,620 S *	7/2003	Few	D15/151
D478,107 S *	8/2003	Few	D15/151
D497,624 S *	10/2004	Few	D15/151
D504,449 S *	4/2005	Butchko	D15/151
D539,822 S *	4/2007	Tseng	D15/150
D572,738 S *	7/2008	Giliberti	D15/151

* cited by examiner

Primary Examiner — Patricia Palasik

(74) *Attorney, Agent, or Firm* — David W. Carstens;
Carstens & Cahoon, LLP

(57) **CLAIM**

The ornamental design for a waste oil extraction machine, as shown.

(56) **References Cited**

U.S. PATENT DOCUMENTS

D89,753 S *	5/1933	Fox	D15/151
1,987,649 A *	1/1935	Wertz	134/111
D224,043 S *	6/1972	Billos	D15/152
D248,236 S *	6/1978	Senese	D15/150
D261,520 S *	10/1981	Johnson, Sr.	D15/150
5,154,317 A *	10/1992	Roppolo, III	222/66
5,494,191 A *	2/1996	Benson	222/23
D395,439 S *	6/1998	King et al.	D15/150

DESCRIPTION

FIG. 1 is a perspective view of the waste oil extraction machine showing the design;

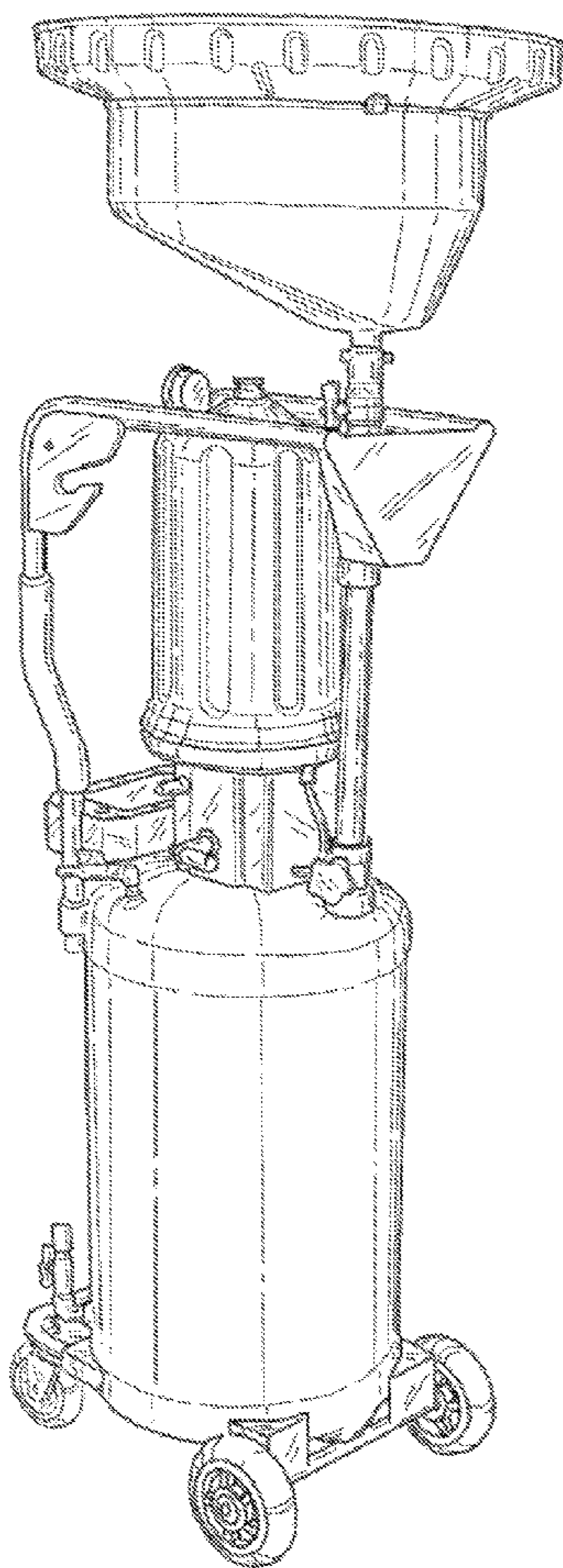
FIG. 2 is a front elevation view thereof;

FIG. 3 is a rear elevation view thereof;

FIG. 4 is a right side elevation view thereof; and,

FIG. 5 is a left side elevation view thereof.

1 Claim, 5 Drawing Sheets



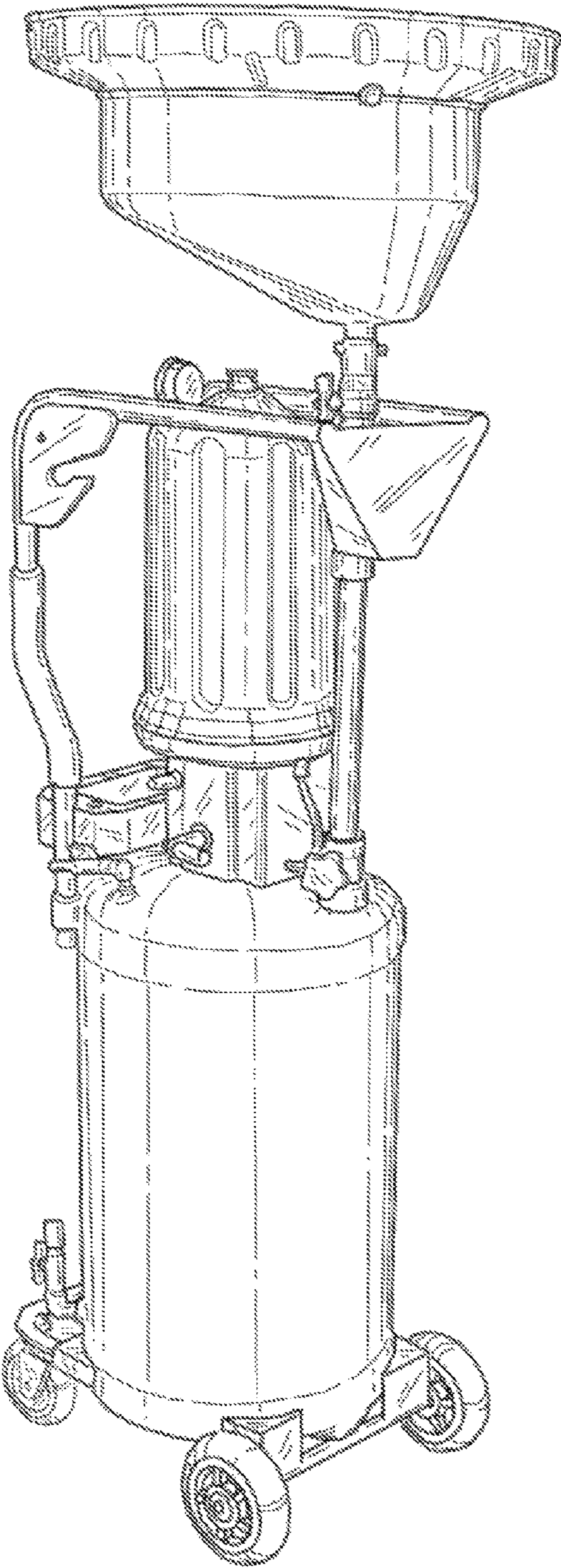


FIG. 1

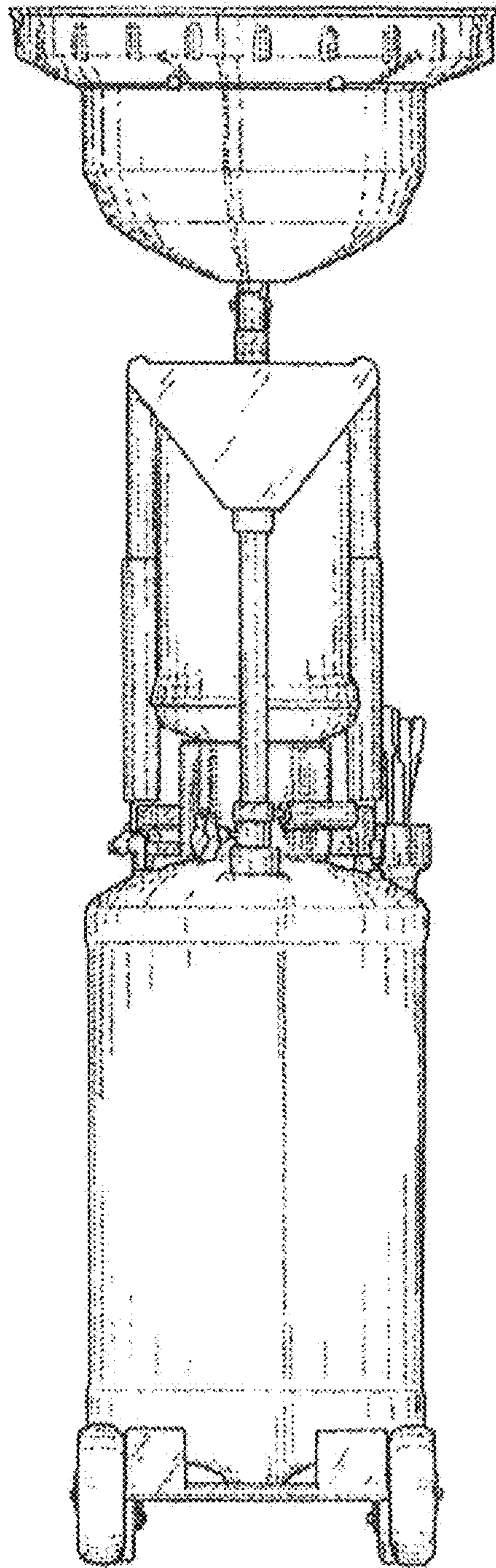


FIG. 2

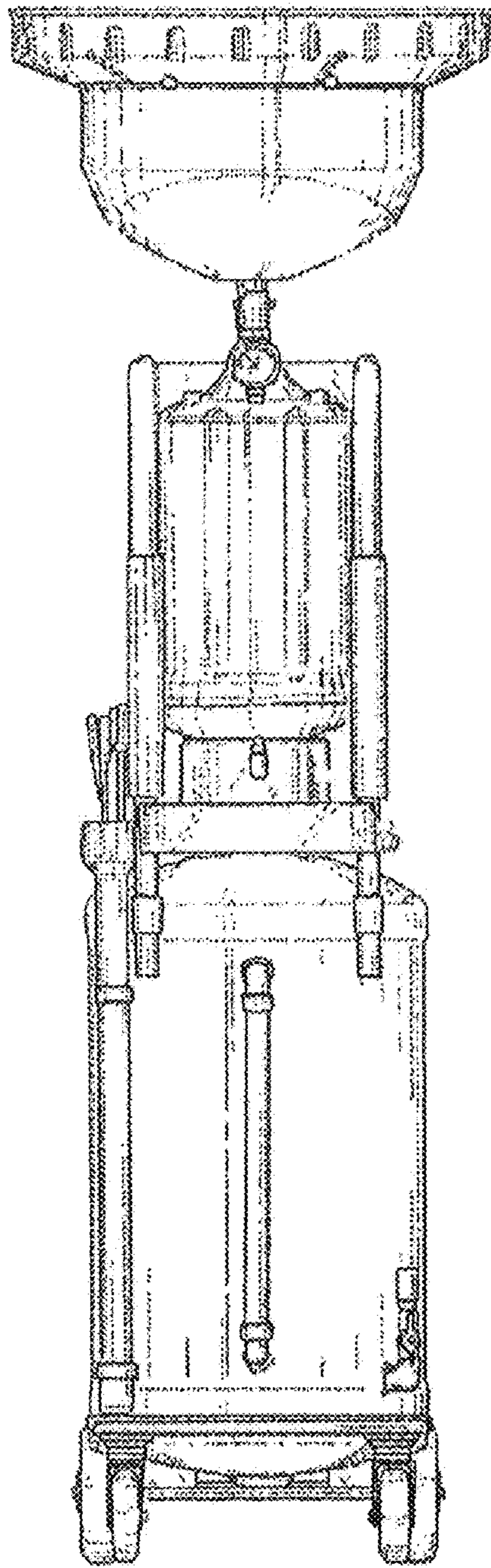


FIG. 3

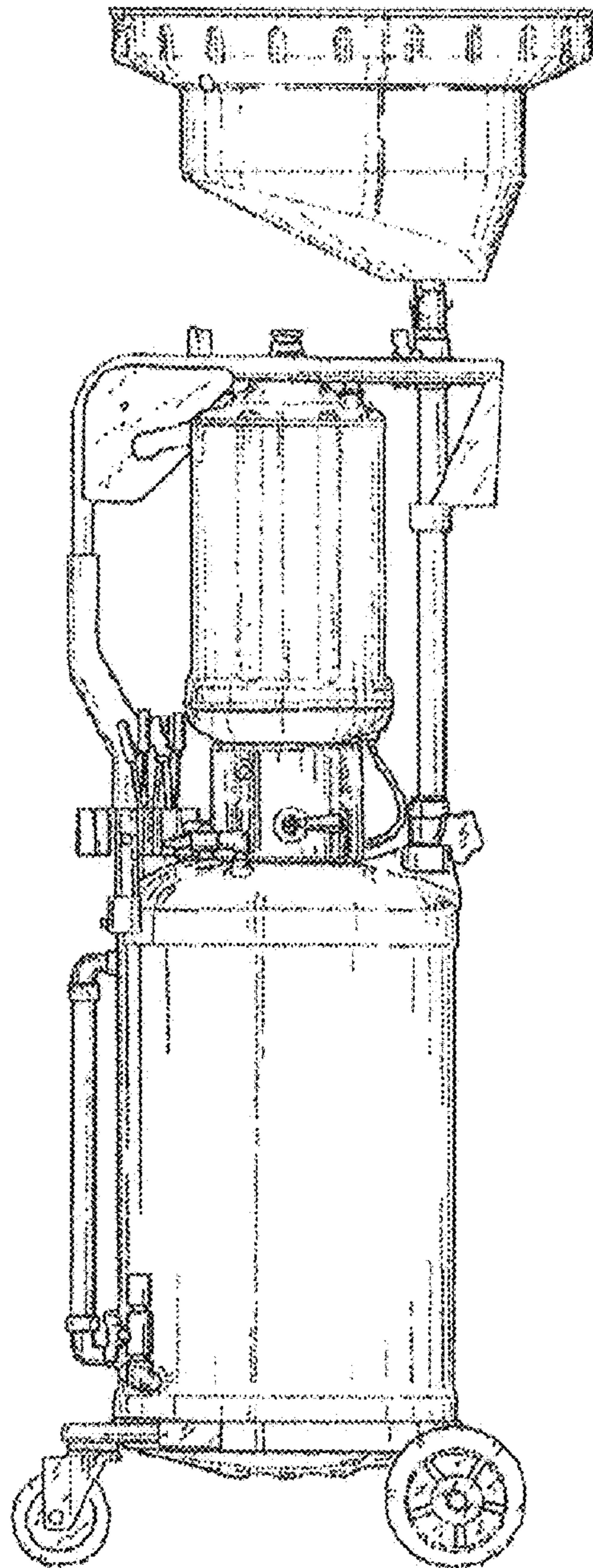


FIG. 4

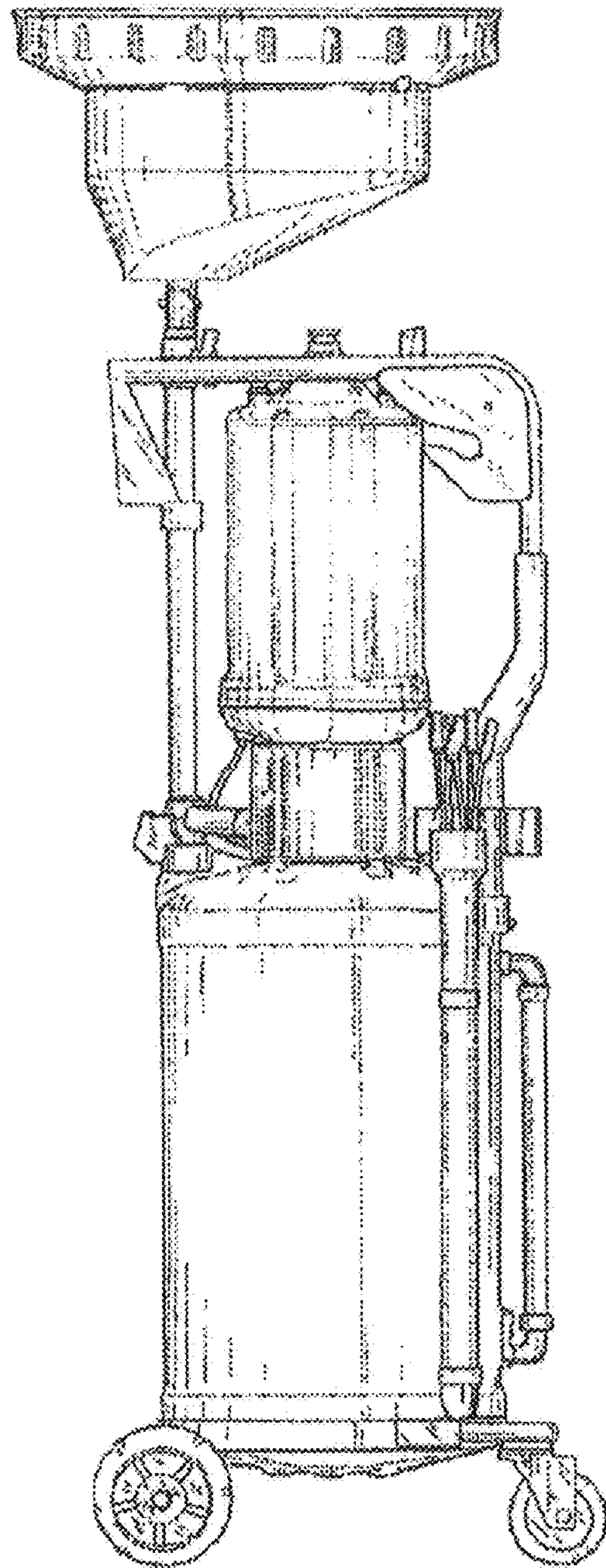


FIG. 5