



US00D654521S

(12) **United States Design Patent**
Flubacher et al.

(10) **Patent No.:** **US D654,521 S**

(45) **Date of Patent:** **** Feb. 21, 2012**

(54) **WELDING APPARATUS**

(56) **References Cited**

(75) Inventors: **Walter Flubacher**, Lucerne (CH);
Andreas Furling, Willisau (CH); **Peter Christen**, Kriens (CH)

U.S. PATENT DOCUMENTS

4,440,588	A *	4/1984	Stevenson et al.	156/157
4,744,855	A *	5/1988	Ellenberger et al.	156/499
6,866,077	B2 *	3/2005	Zurmuhle et al.	156/391
7,094,298	B2 *	8/2006	Schwetz	156/71
D558,803	S *	1/2008	Gisler et al.	D15/144
D621,430	S *	8/2010	Christen et al.	D15/144

(73) Assignee: **Leister Process Technologies**, Kagiswil (CH)

* cited by examiner

(**) Term: **14 Years**

Primary Examiner — Patricia Palasik

(21) Appl. No.: **29/378,342**

(74) *Attorney, Agent, or Firm* — Bachman & LaPointe, P.C.

(22) Filed: **Nov. 3, 2010**

(30) **Foreign Application Priority Data**

(57) **CLAIM**

The ornamental design for a welding apparatus, as shown and described.

May 3, 2010 (EM) 001703372

(51) **LOC (9) Cl.** **15-09**

DESCRIPTION

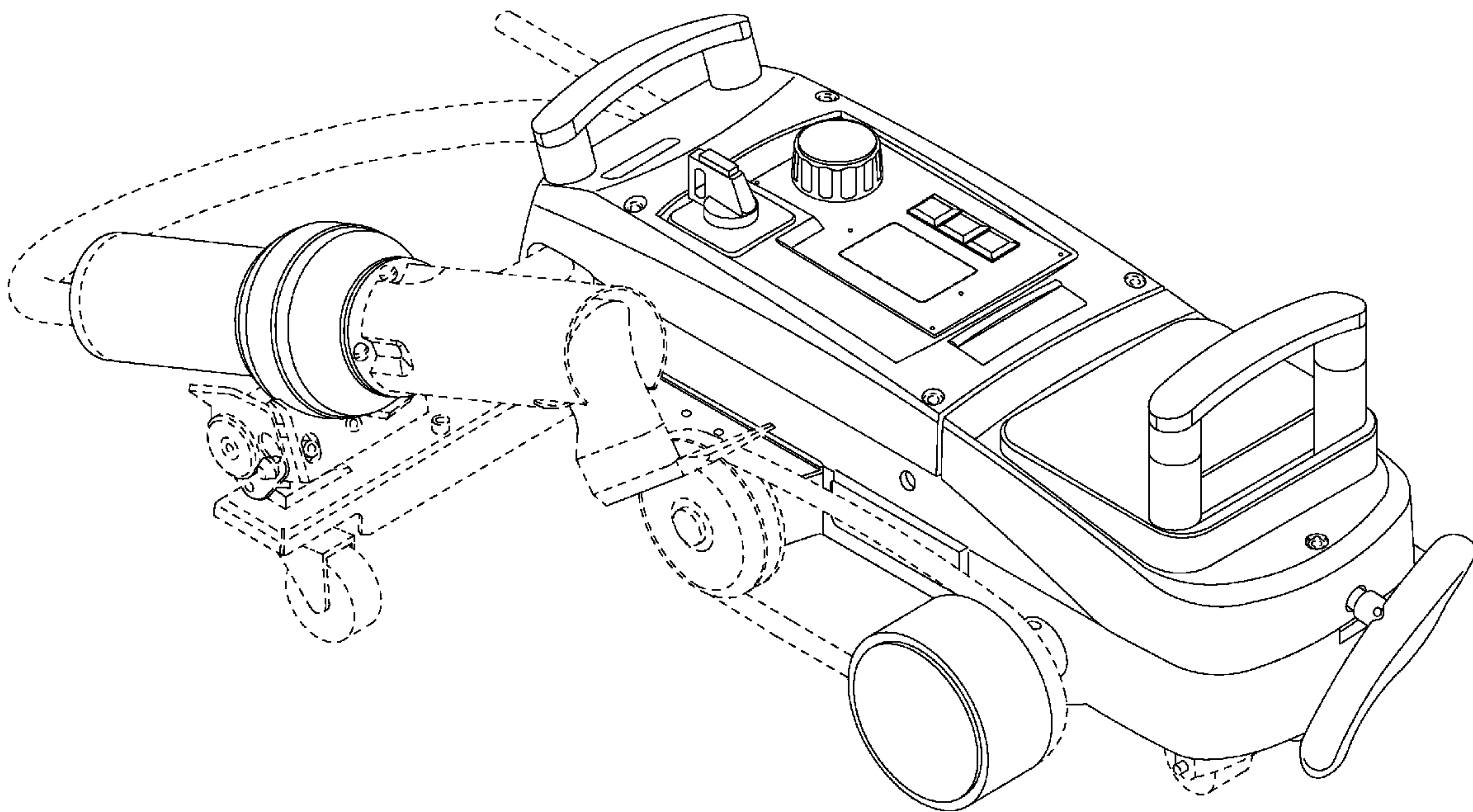
(52) **U.S. Cl.** **D15/144**

(58) **Field of Classification Search** D8/29.1, D8/30; D13/133; D15/144, 144.1, 144.2; 219/125.1, 130, 130.5, 132, 133, 136, 241, 219/424, 606; 222/146.5, 152, 156, 189.06, 222/397; 228/8, 20, 51, 111.5; 248/95, 99, 248/129; 280/47.131, 47.19, 47.26, 47.27, 280/47.33, 47.34, 47.35, 79.5, 79.6, 79.7, 280/79.11, 79.2; 414/444, 448, 466, 469, 414/546

FIG. 1 is a perspective view of a welding apparatus showing our new ornamental design;
FIG. 2 is a top view thereof;
FIG. 3 is a bottom view thereof;
FIG. 4 is a side view thereof;
FIG. 5 is a rear view thereof;
FIG. 6 is an opposite side view thereof; and,
FIG. 7 is a front view thereof.

See application file for complete search history.

1 Claim, 7 Drawing Sheets



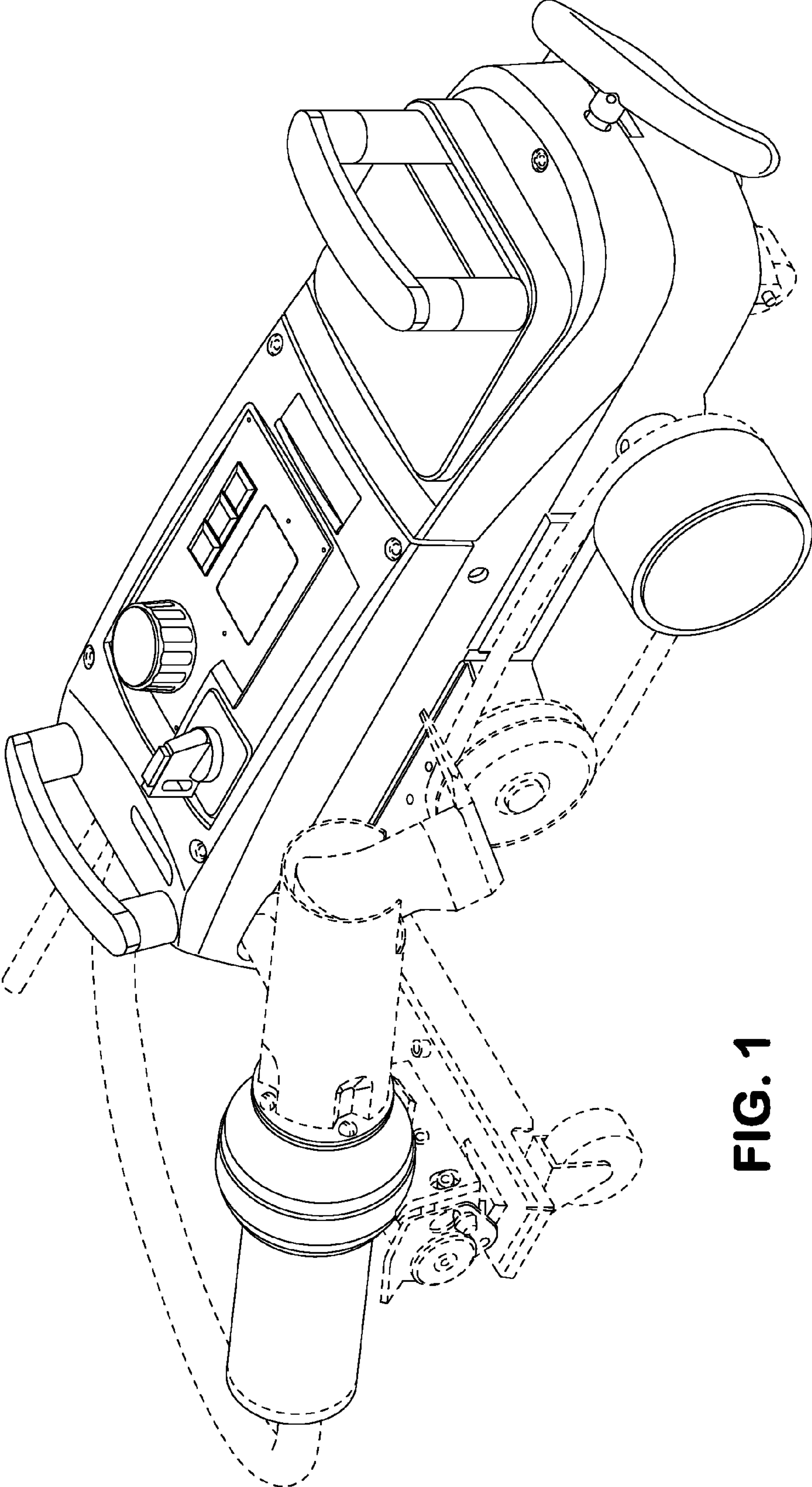


FIG. 1

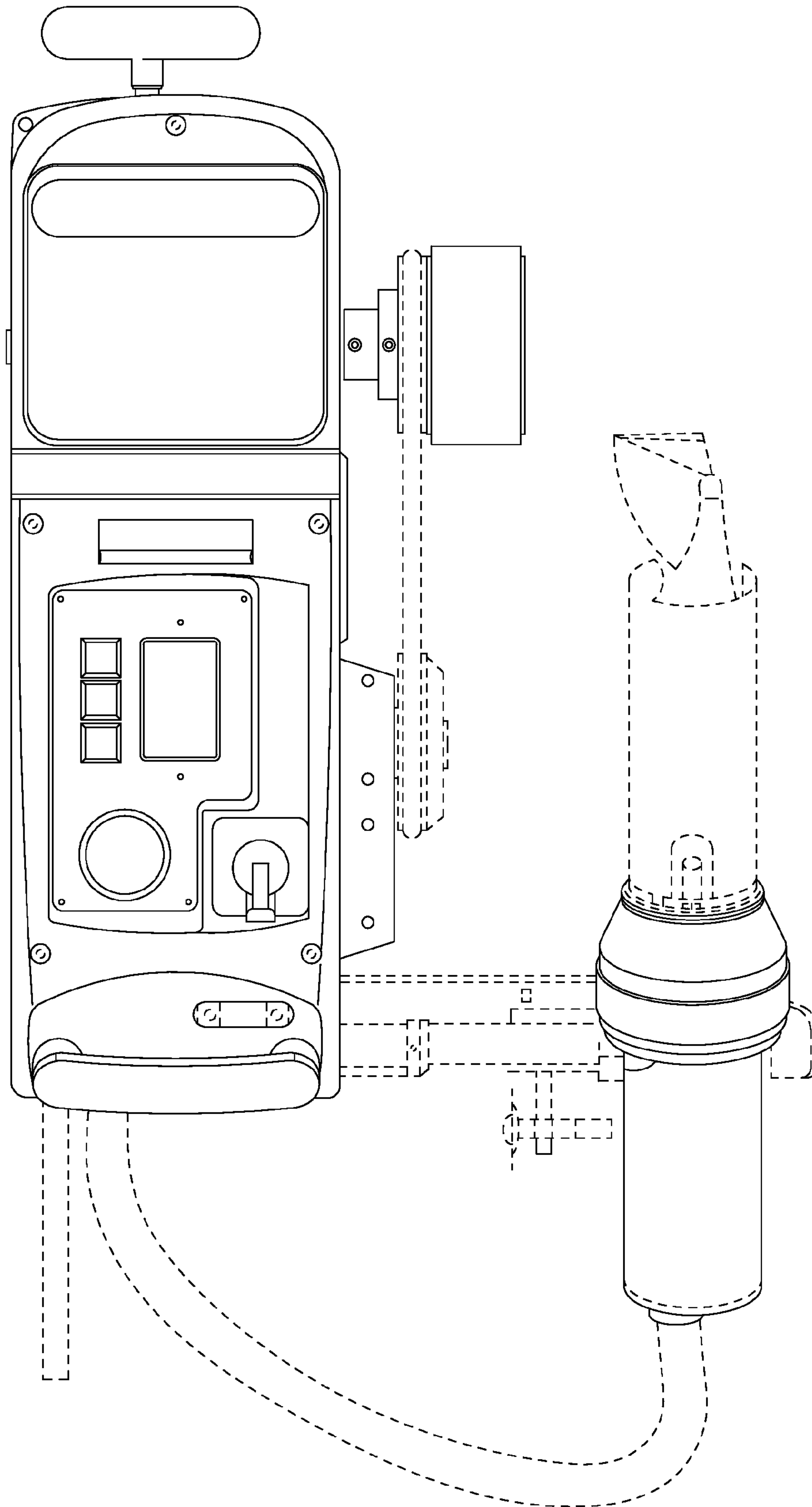


FIG. 2

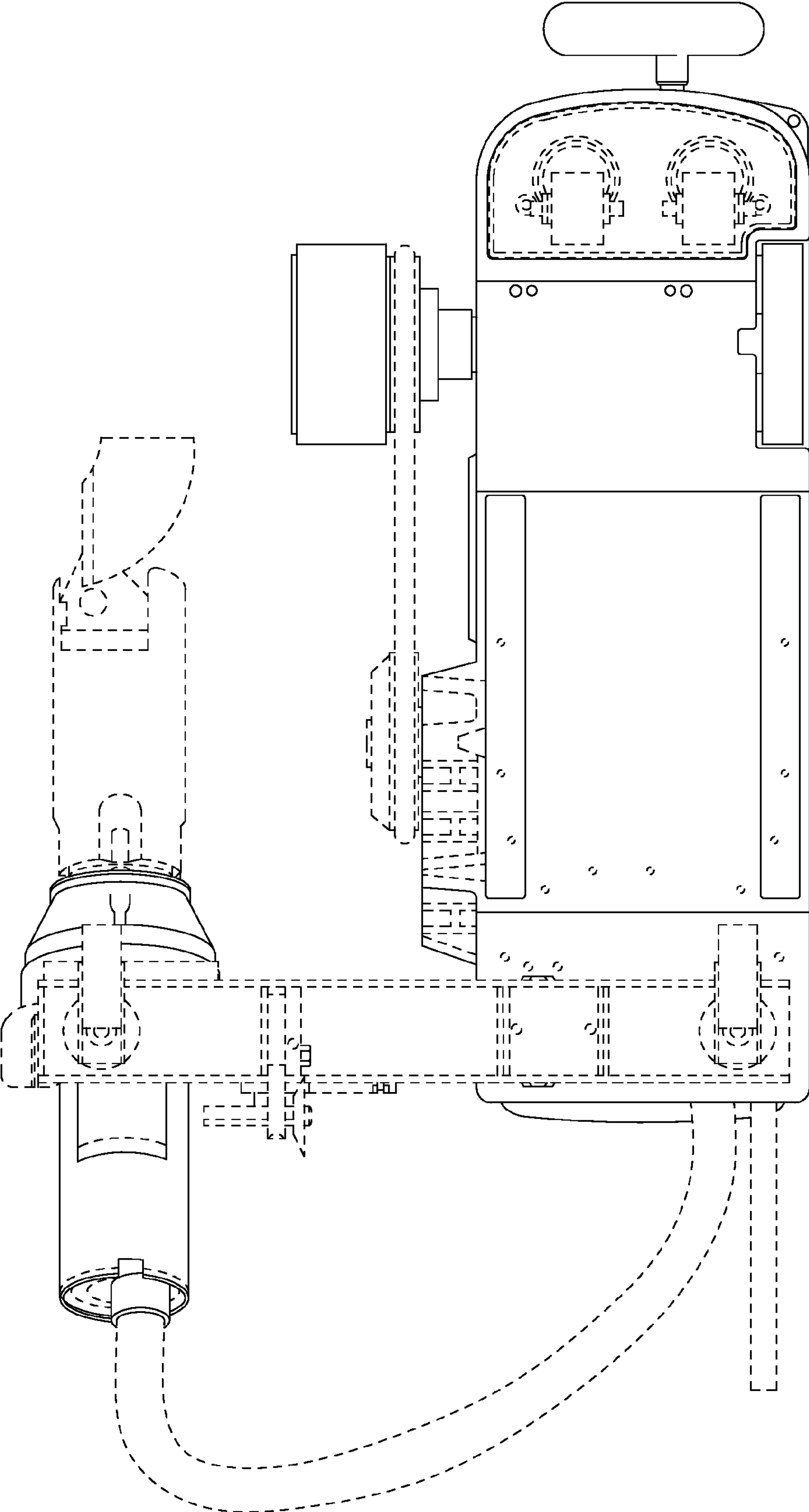


FIG. 3

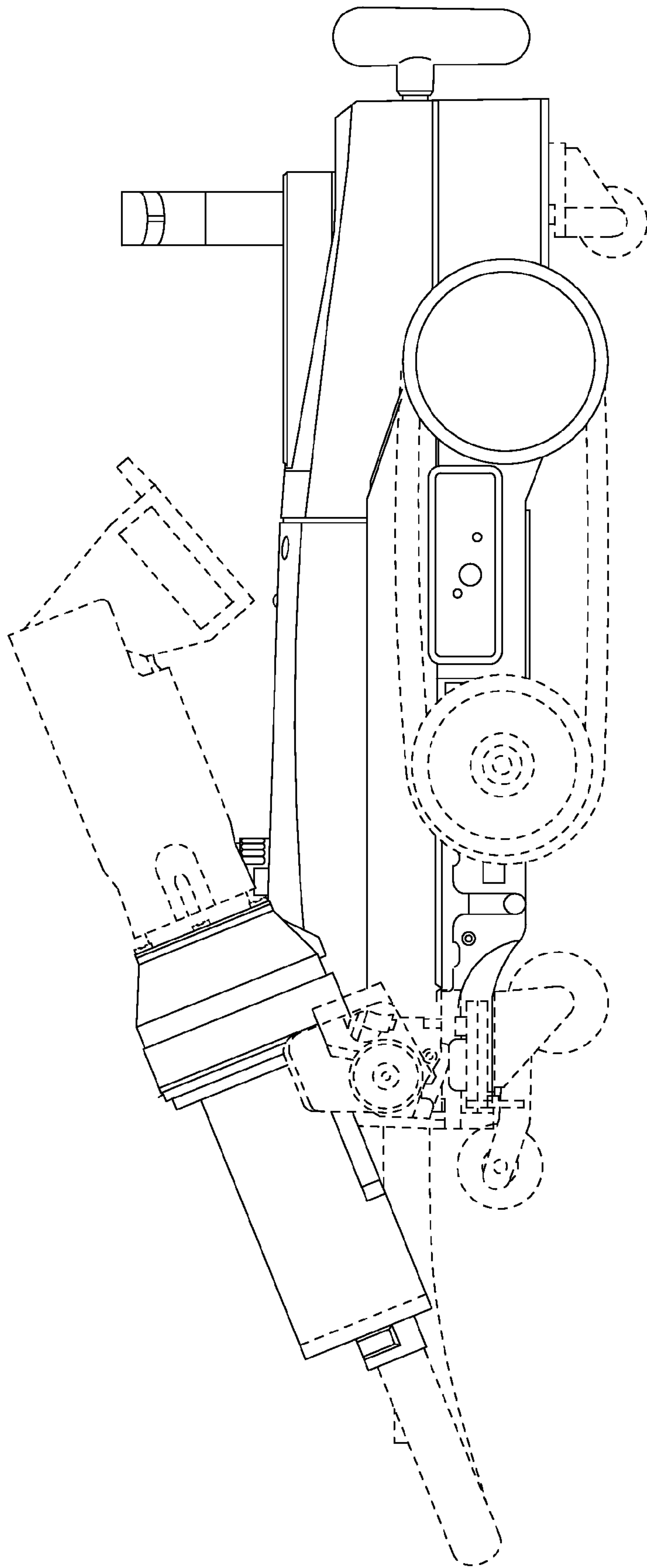


FIG. 4

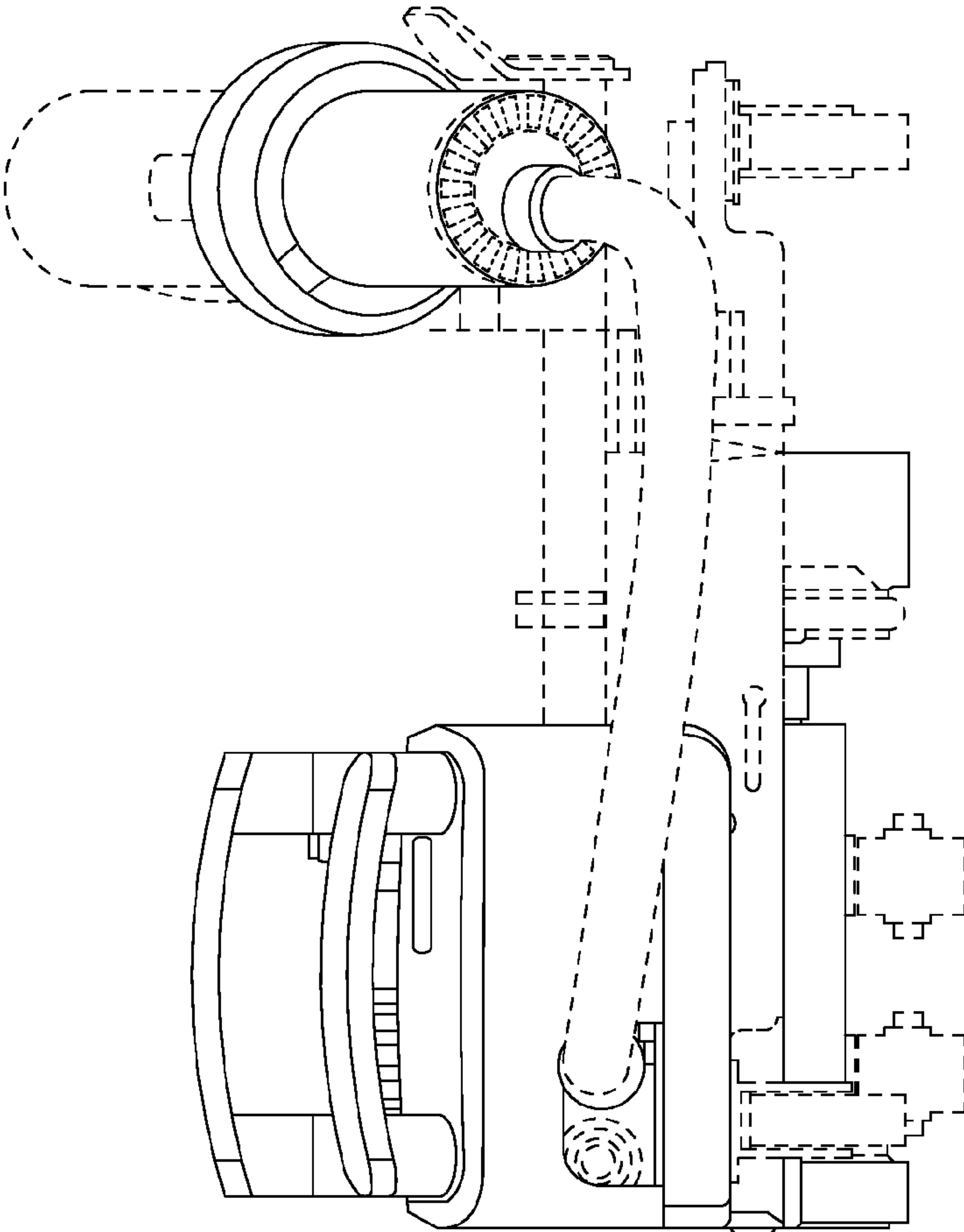


FIG. 5

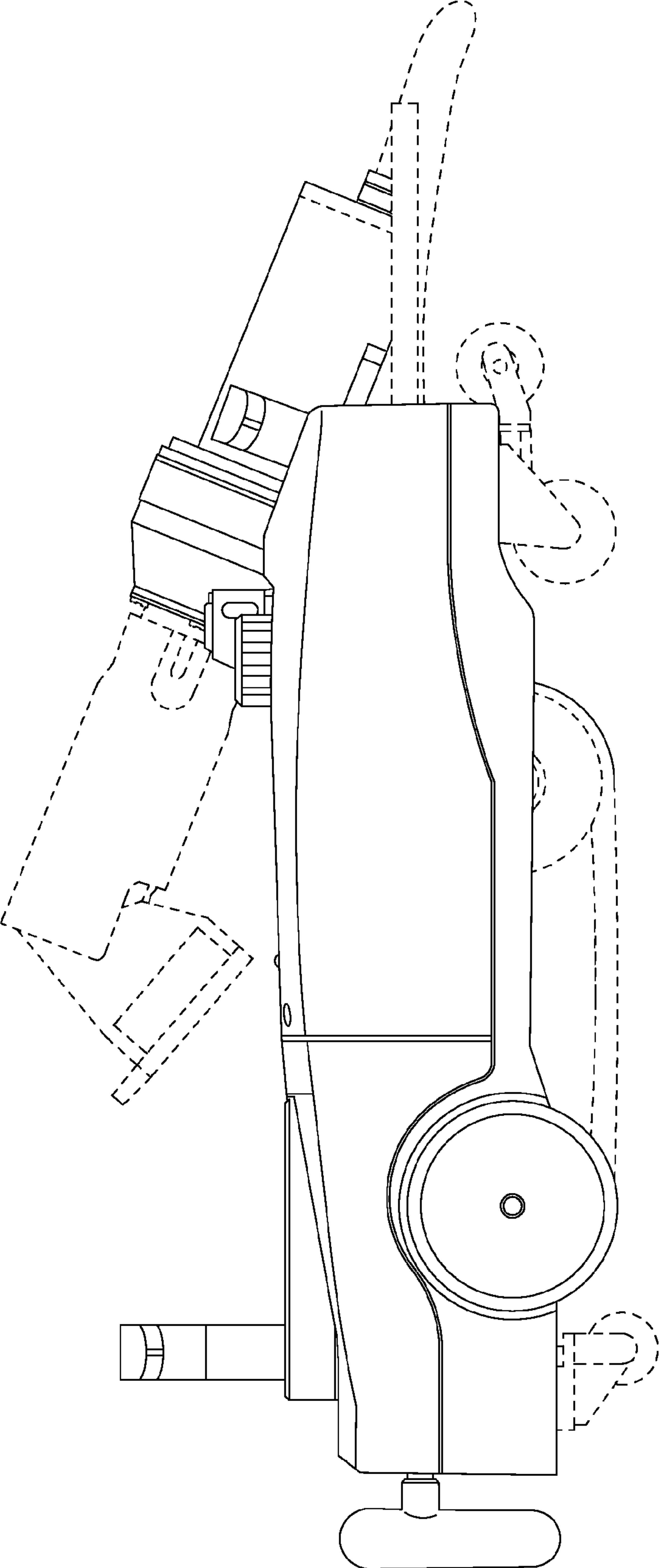


FIG. 6

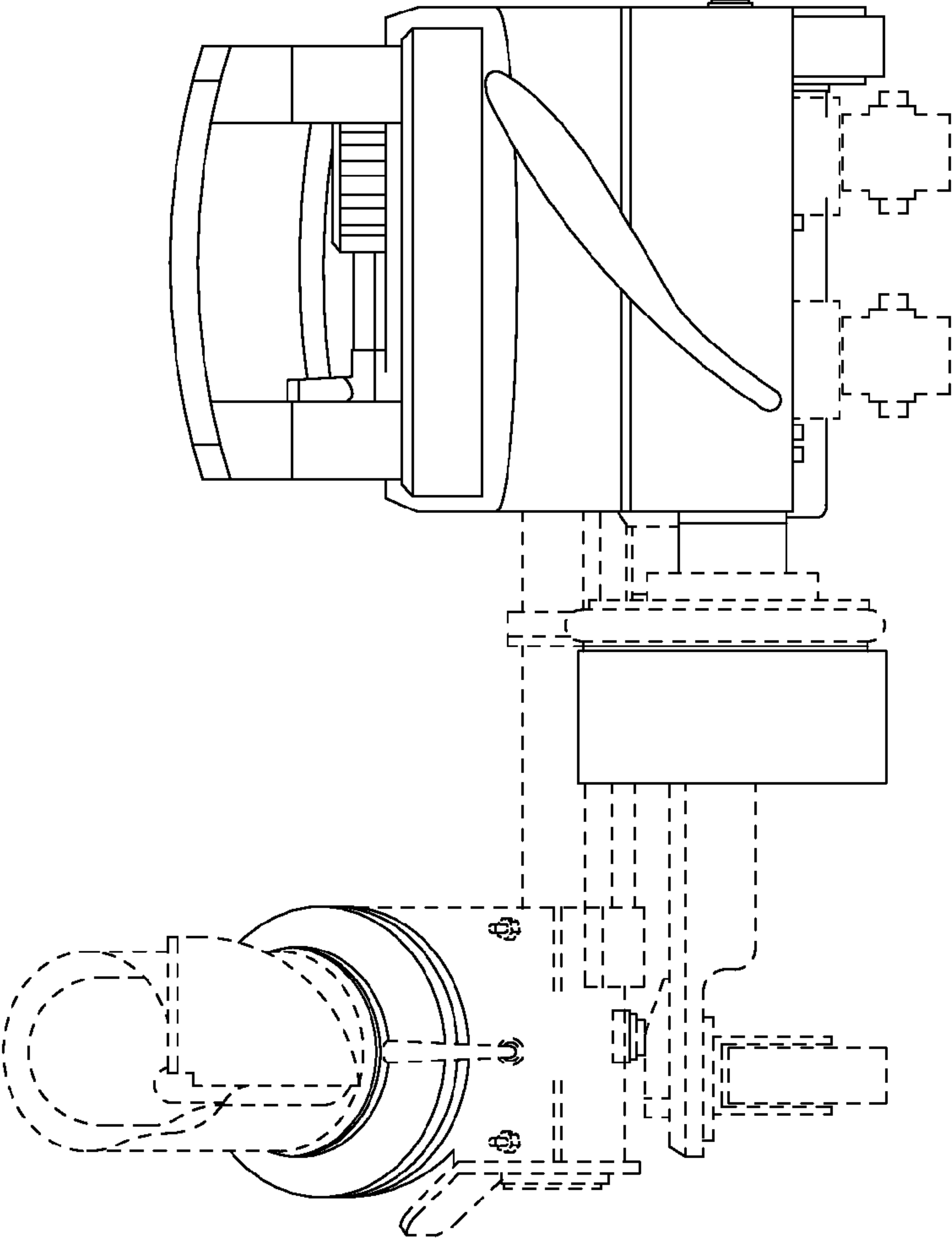


FIG. 7