



US00D654517S

(12) **United States Design Patent**
Merritt

(10) **Patent No.:** **US D654,517 S**

(45) **Date of Patent:** **** Feb. 21, 2012**

(54) **ICE FORMING TRAY**

(75) Inventor: **John Merritt**, Brooklyn, NY (US)

(73) Assignee: **Bed Bath & Beyond Procurement Co. Inc.**, Farmingdale, NY (US)

(**) Term: **14 Years**

(21) Appl. No.: **29/375,568**

(22) Filed: **Sep. 24, 2010**

(51) **LOC (9) Cl.** **15-07**

(52) **U.S. Cl.** **D15/90**

(58) **Field of Classification Search** D15/90,
D15/89, 79-82; D7/357, 553.2, 553.3; 62/3.6-3.64,
62/245-255, 457, 459; 312/116, 236, 400-408;
206/521.1; 249/118-121, 126-130, 203
See application file for complete search history.

(56) **References Cited**

U.S. PATENT DOCUMENTS

1,868,503	A	*	7/1932	Kennedy, Jr.	62/350
2,796,742	A	*	6/1957	Platt	249/129
D202,529	S	*	10/1965	Rosebrook	D15/90
D220,800	S	*	5/1971	Krogh	D15/90
D245,008	S	*	7/1977	LaLonde	D15/90
D245,985	S	*	10/1977	Talbert	D15/90
4,148,457	A	*	4/1979	Gurbin	249/130
D415,505	S	*	10/1999	Myers	D15/90
D444,480	S	*	7/2001	Shultz et al.	D15/90
D451,676	S	*	12/2001	Dembicks	D3/313
D480,736	S	*	10/2003	Wright	D15/90
D482,374	S	*	11/2003	Fan	D15/90
D496,374	S	*	9/2004	Zimmerman	D15/90
D513,019	S	*	12/2005	Lion et al.	D15/90
D636,412	S	*	4/2011	Misse	D15/90

* cited by examiner

Primary Examiner — Mitchell Siegel

(74) *Attorney, Agent, or Firm* — Lerner, David, Littenberg, Krumholz & Mentlik, LLP

(57) **CLAIM**

The ornamental design for an ice forming tray, as shown and described.

DESCRIPTION

FIG. 1 is a perspective view of an ice forming tray showing one embodiment of my new design;
 FIG. 2 is a front elevational view of the ice forming tray in FIG. 1, the rear elevational view being a mirror image thereof;
 FIG. 3 is a right side elevational view of the ice forming tray in FIG. 1, the left side elevational view being a mirror image thereof;
 FIG. 4 is a top plan view of the ice forming tray in FIG. 1;
 FIG. 5 is a bottom plan view of the ice forming tray in FIG. 1;
 FIG. 6 is a perspective view of an ice forming tray having a handle showing another embodiment of my new design;
 FIG. 7 is a front elevational view of the ice forming tray in FIG. 6, the rear elevational view being a mirror image thereof;
 FIG. 8 is a right side elevational view of the ice forming tray in FIG. 6, the left side elevational view being a mirror image thereof;
 FIG. 9 is a top plan view of the ice forming tray in FIG. 6; and,
 FIG. 10 is a bottom plan view of the ice forming tray in FIG. 6.
 The features of the ice forming tray shown in broken lines are for illustrative purposes only and form no part of the claimed design.

1 Claim, 8 Drawing Sheets

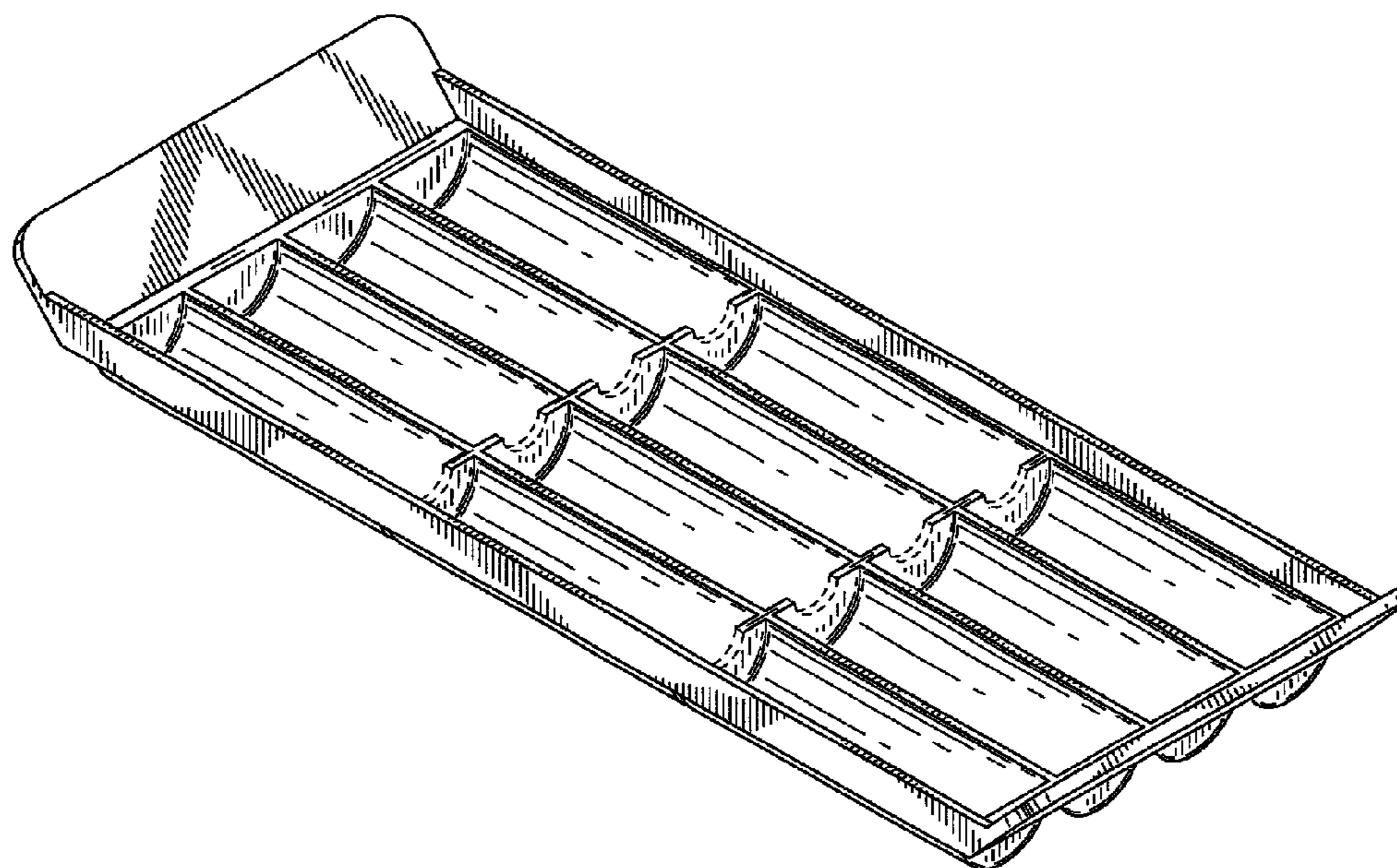


FIG. 1

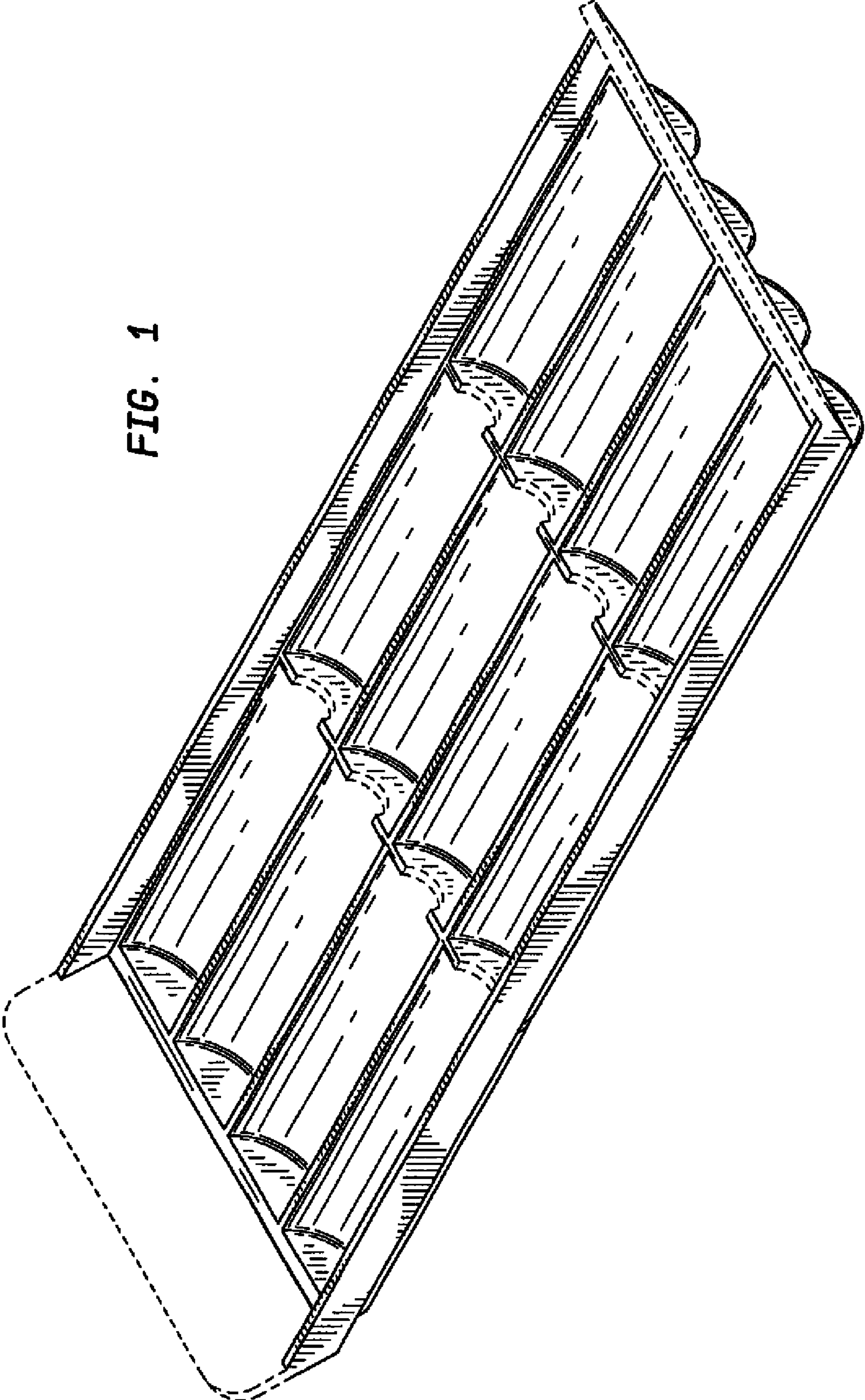


FIG. 2

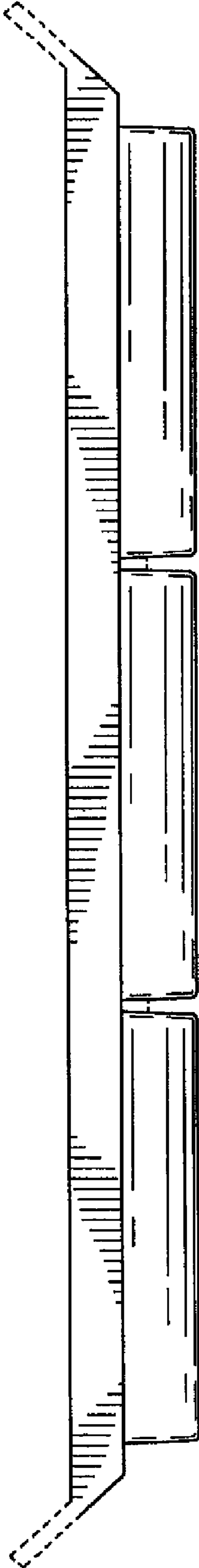


FIG. 3

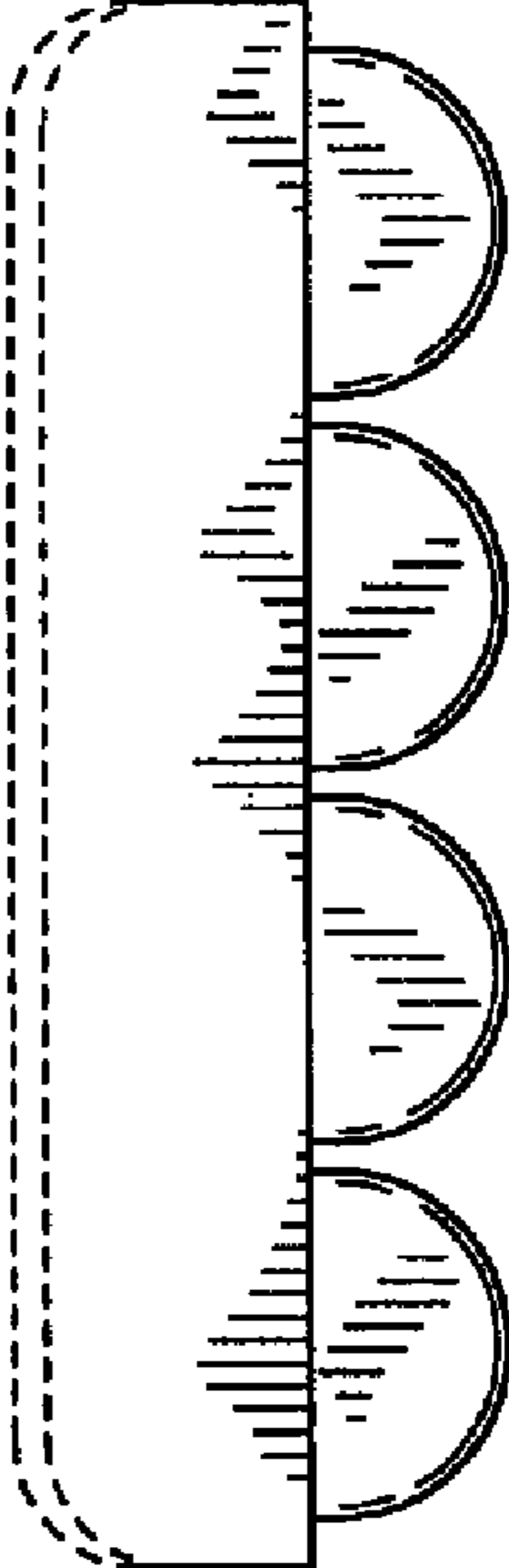


FIG. 4

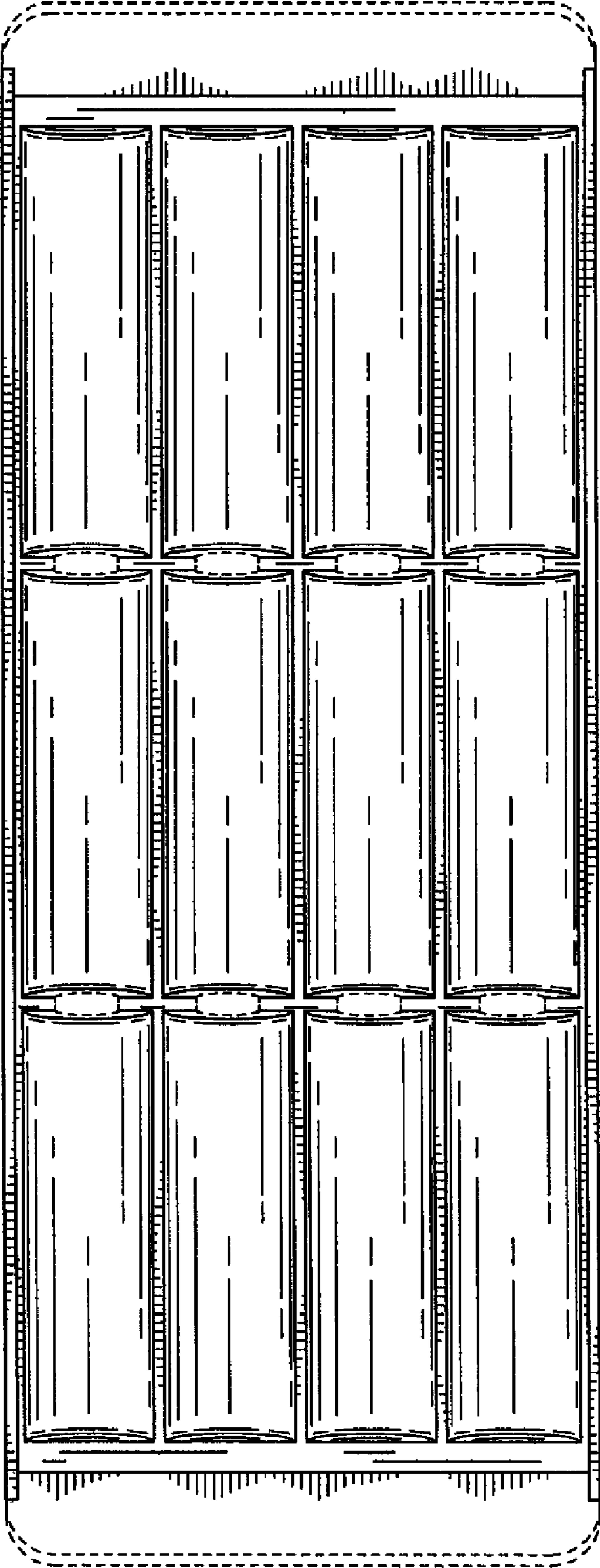


FIG. 5

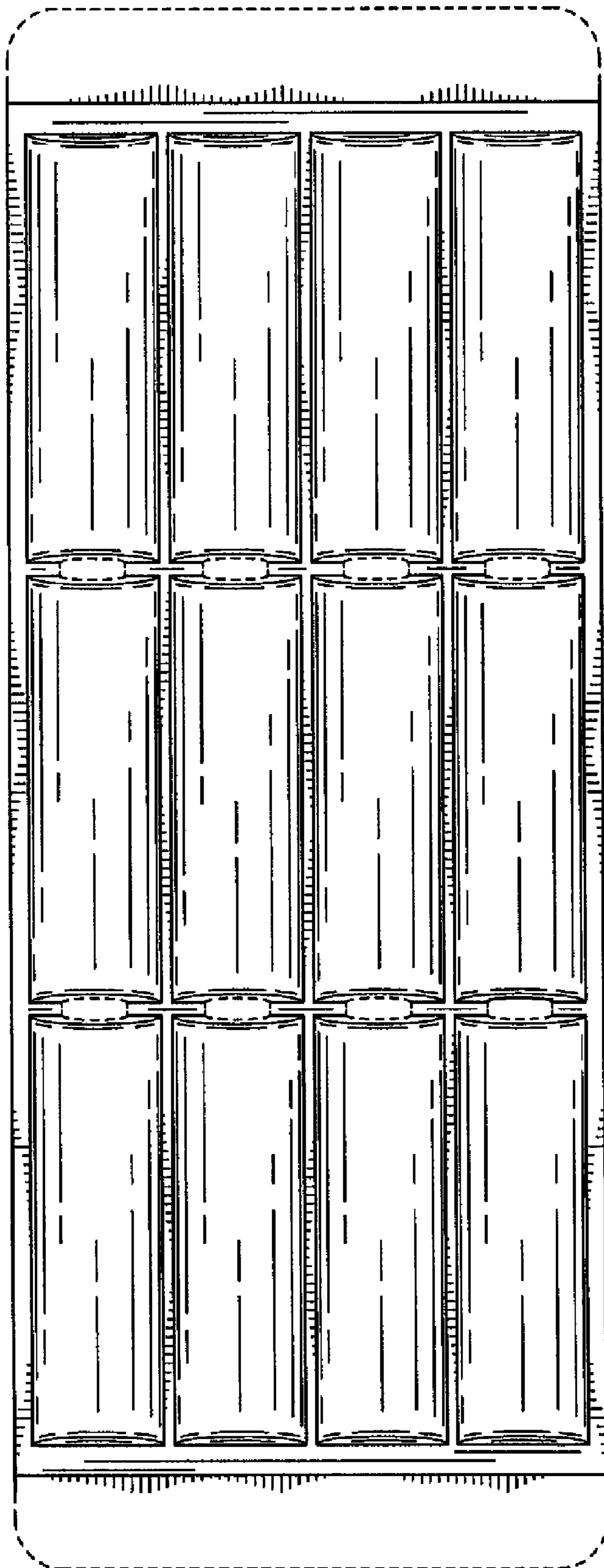


FIG. 6

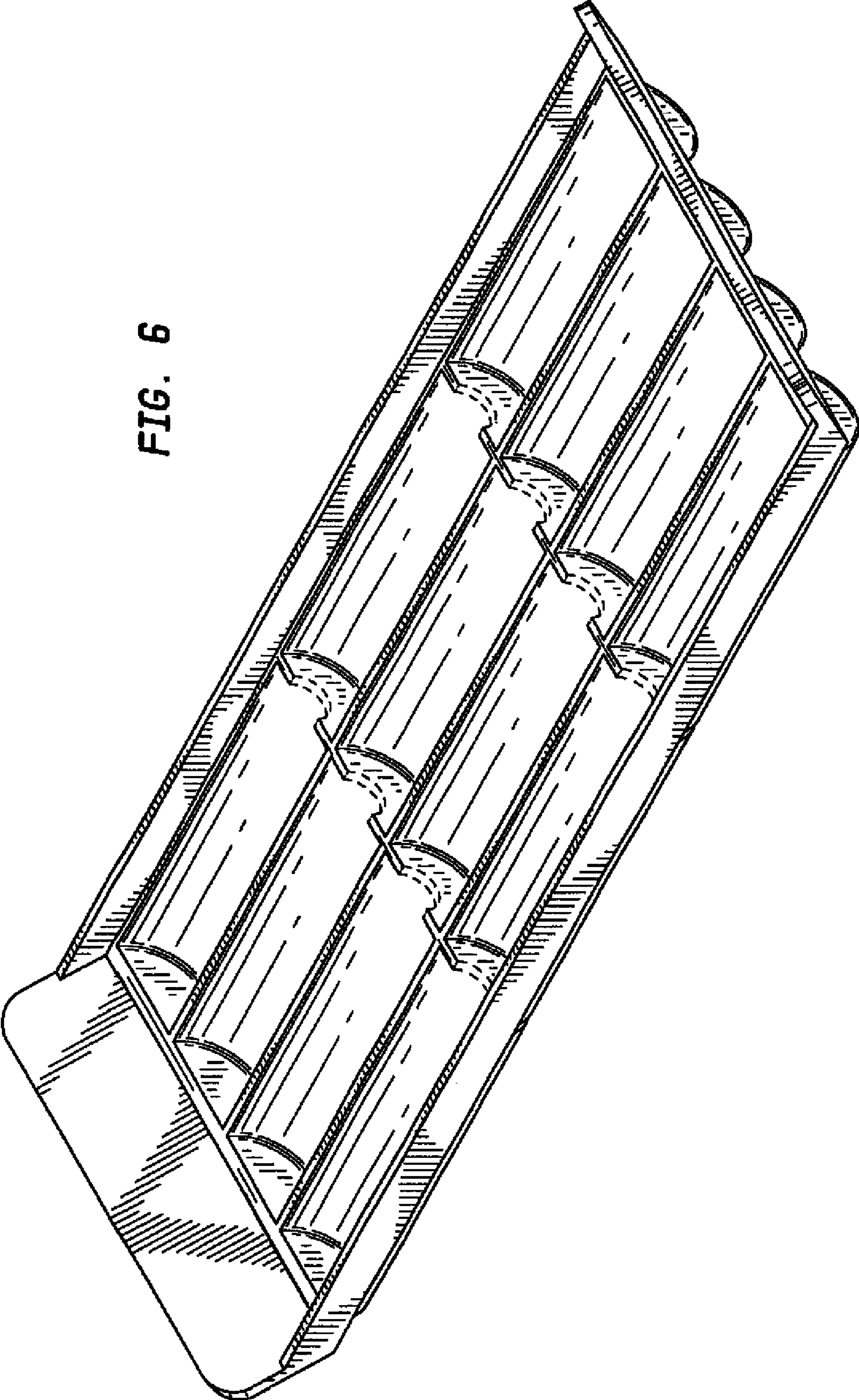


FIG. 7

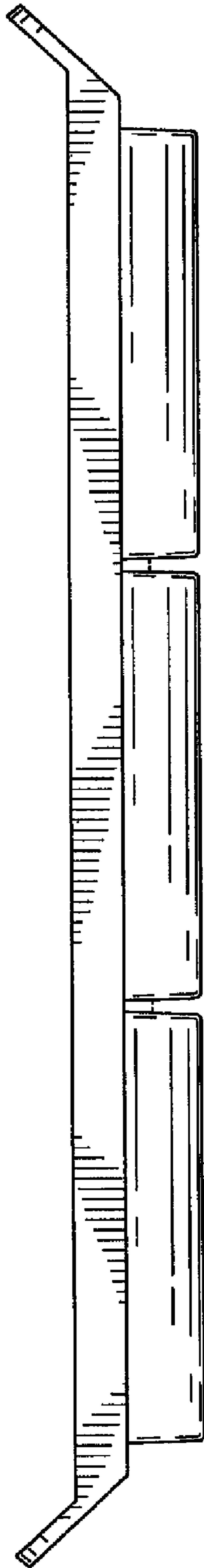


FIG. 8

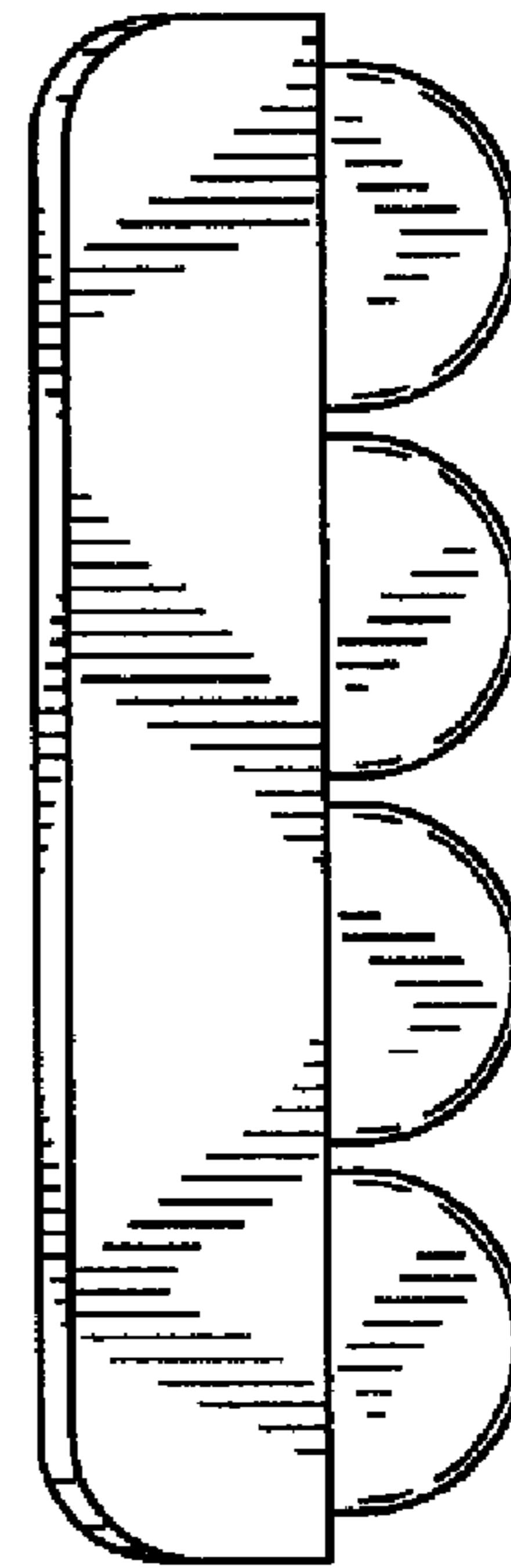


FIG. 9

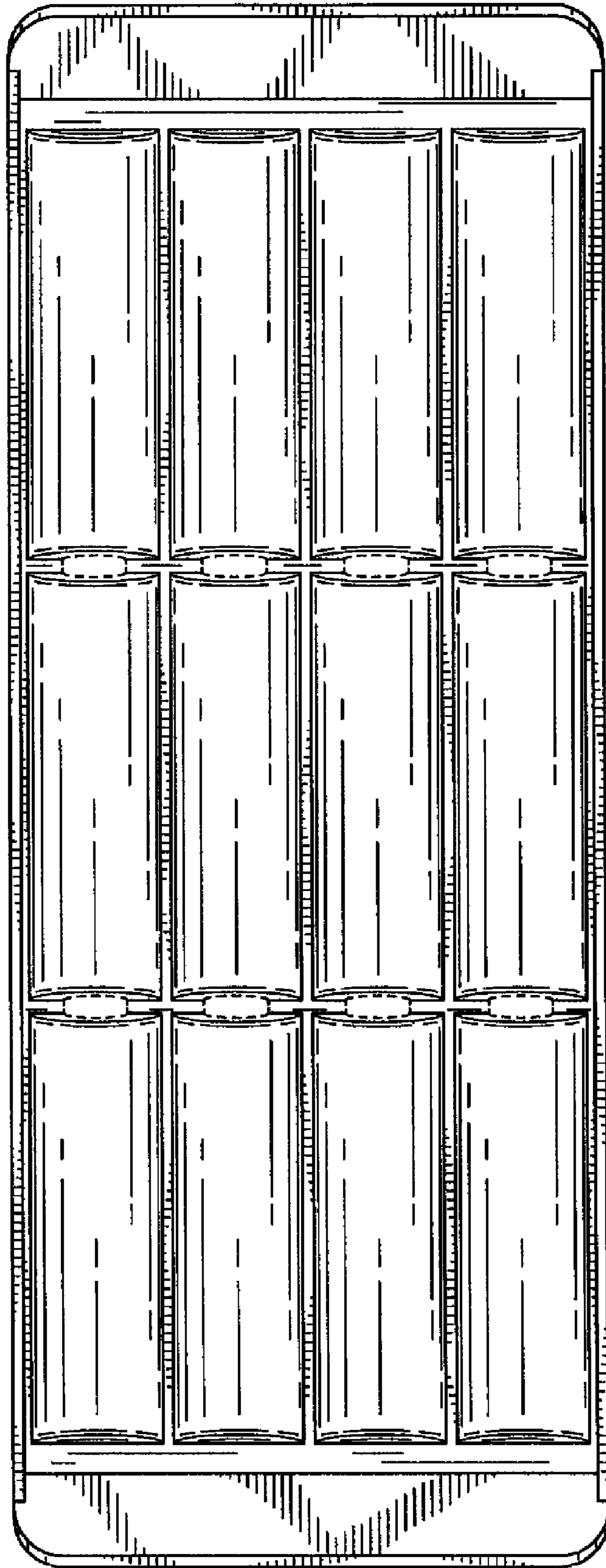


FIG. 10

