



US00D654515S

(12) **United States Design Patent**  
**Hwang et al.**

(10) **Patent No.:** **US D654,515 S**  
(45) **Date of Patent:** **\*\* Feb. 21, 2012**

(54) **REFRIGERATOR**

(75) Inventors: **Jungyeon Hwang**, Seoul (KR); **Minsup Kim**, Gyeonggi-do (KR); **Jinwon Kang**, Gyeonggi-do (KR); **Junyi Heo**, Seoul (KR); **Myungdong You**, Incheon (KR)

(73) Assignee: **LG Electronics Inc.**, Seoul (KR)

(\*\*) Term: **14 Years**

(21) Appl. No.: **29/391,008**

(22) Filed: **May 2, 2011**

(30) **Foreign Application Priority Data**

Dec. 3, 2010 (KR) ..... 30-2010-0052431

(51) **LOC (9) Cl.** ..... **15-07**

(52) **U.S. Cl.** ..... **D15/85**

(58) **Field of Classification Search** ..... D15/79,  
D15/81, 85-88, 91; 62/3.6, 246-255, 293,  
62/331, 371, 440, 467, 529, 531, 337; 312/400-409,  
312/352, 116

See application file for complete search history.

(56) **References Cited**

**U.S. PATENT DOCUMENTS**

D508,249 S \* 8/2005 Seok et al. .... D15/86

D616,001 S \* 5/2010 Yang et al. .... D15/86

D630,232 S \* 1/2011 Seo et al. .... D15/85  
D632,314 S \* 2/2011 Kristiansen et al. .... D15/86  
D639,317 S \* 6/2011 Yang et al. .... D15/86  
D647,927 S \* 11/2011 Lee et al. .... D15/85

\* cited by examiner

*Primary Examiner* — Mitchell Siegel

(74) *Attorney, Agent, or Firm* — Birch, Stewart, Kolasch & Birch, LLP

(57) **CLAIM**

The ornamental design for a refrigerator, as shown and described.

**DESCRIPTION**

FIG. 1 is a perspective view of a refrigerator showing our new design;

FIG. 2 is a front view thereof;

FIG. 3 is a rear view thereof;

FIG. 4 is a left side view thereof;

FIG. 5 is a right side view thereof;

FIG. 6 is a top plan view thereof; and,

FIG. 7 is a bottom plan view thereof.

The broken lines are for illustrative purposes only and form no part of the claimed design.

**1 Claim, 7 Drawing Sheets**

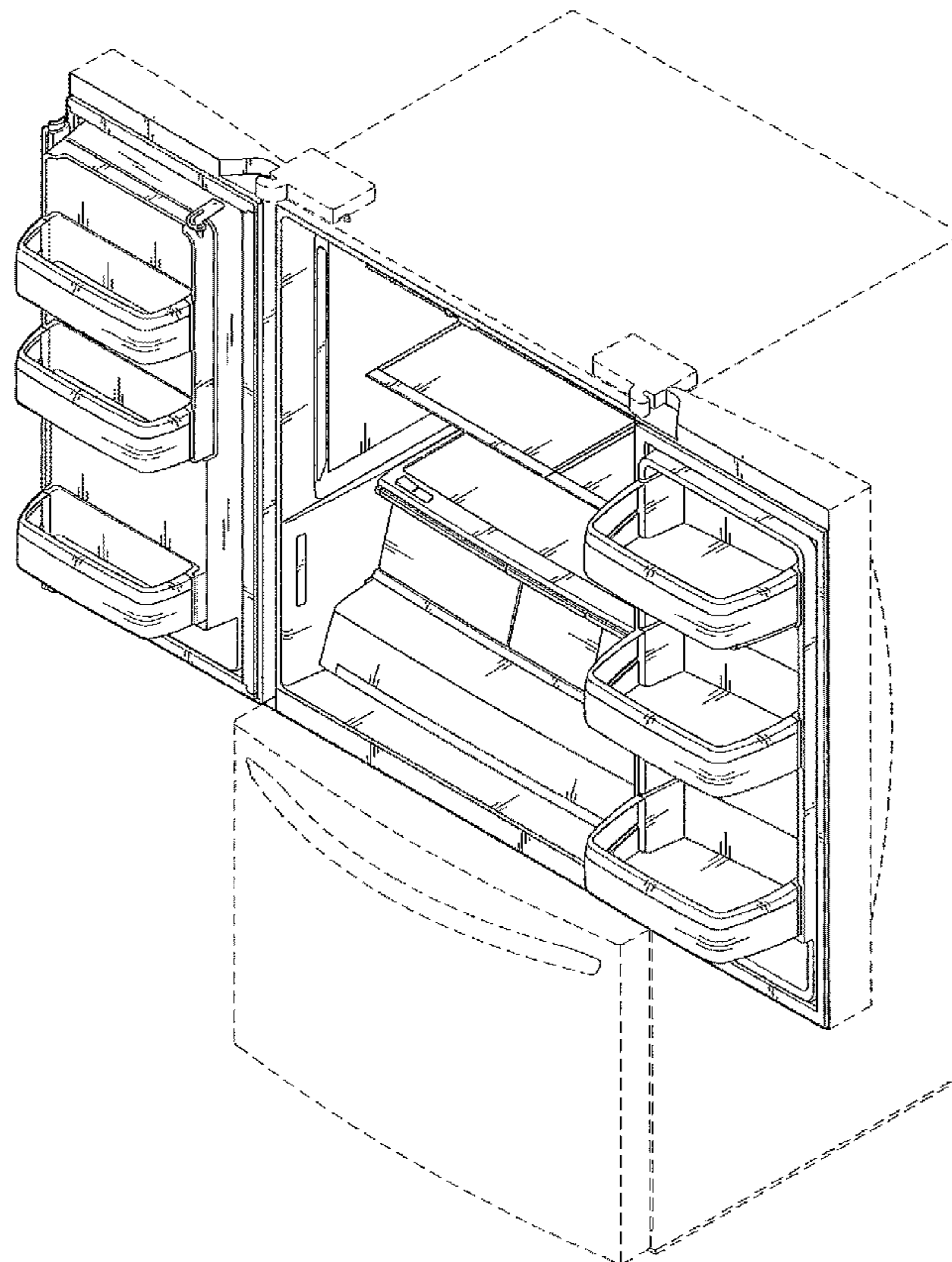


FIG. 1

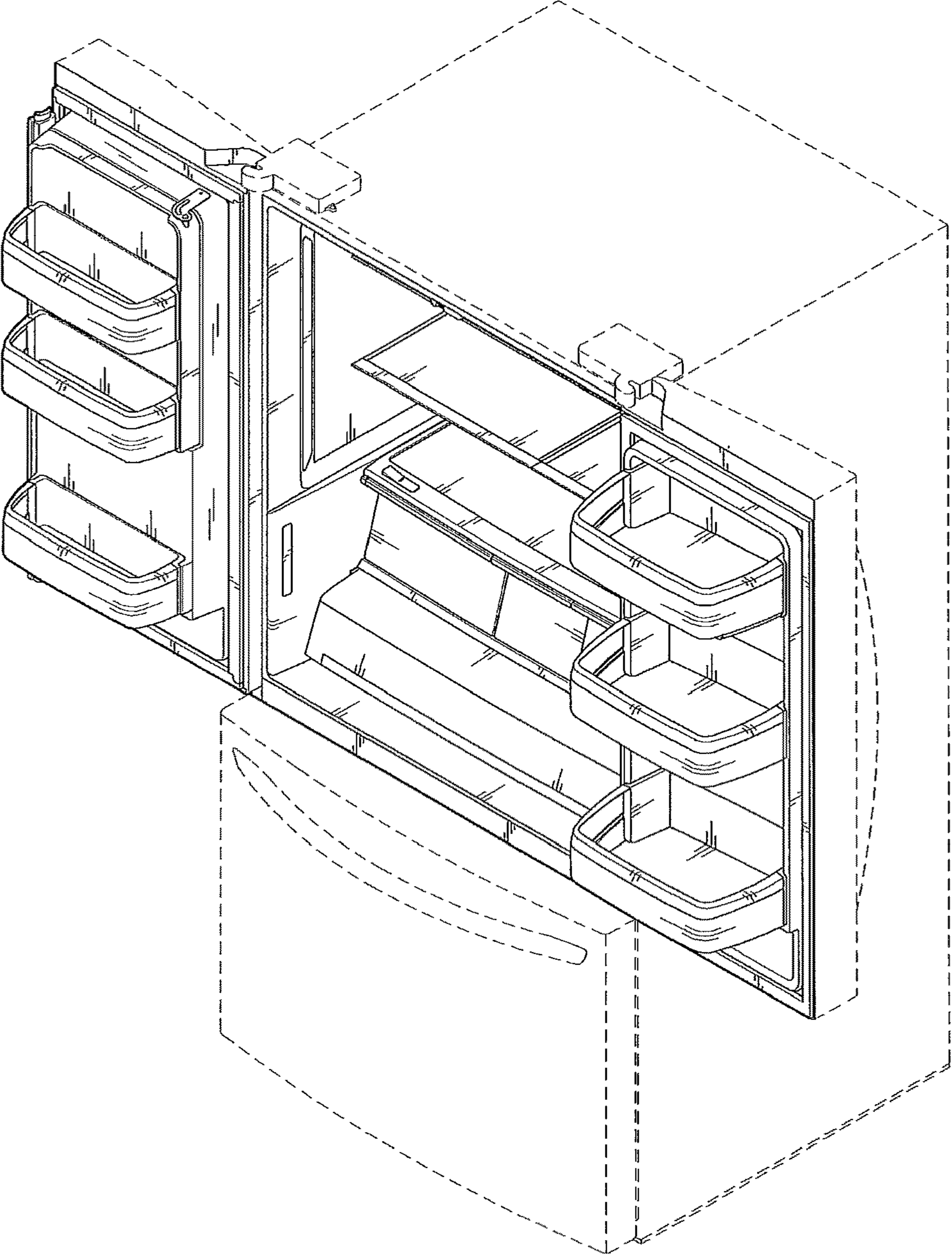


FIG. 2

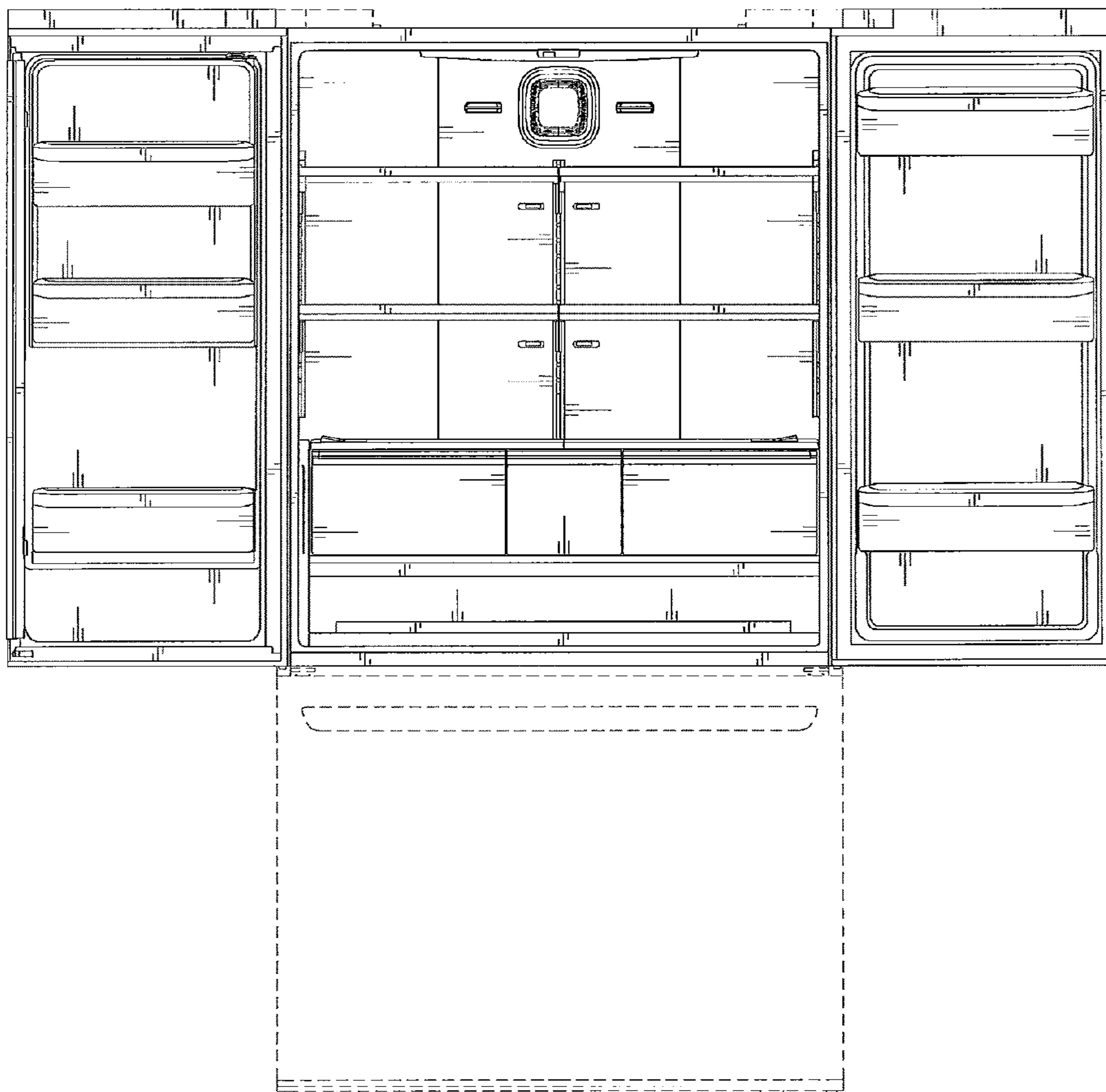


FIG. 3

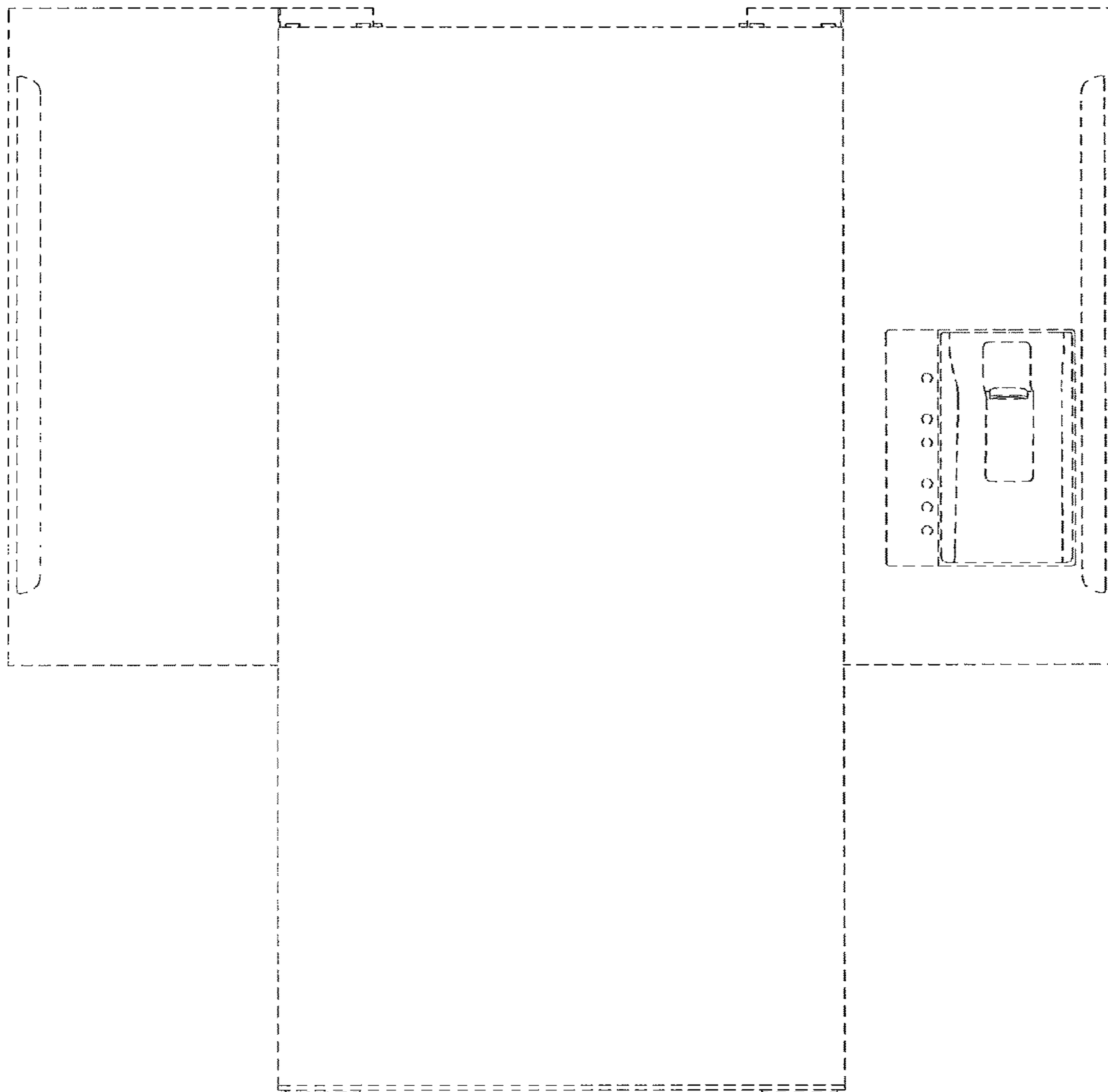


FIG. 4

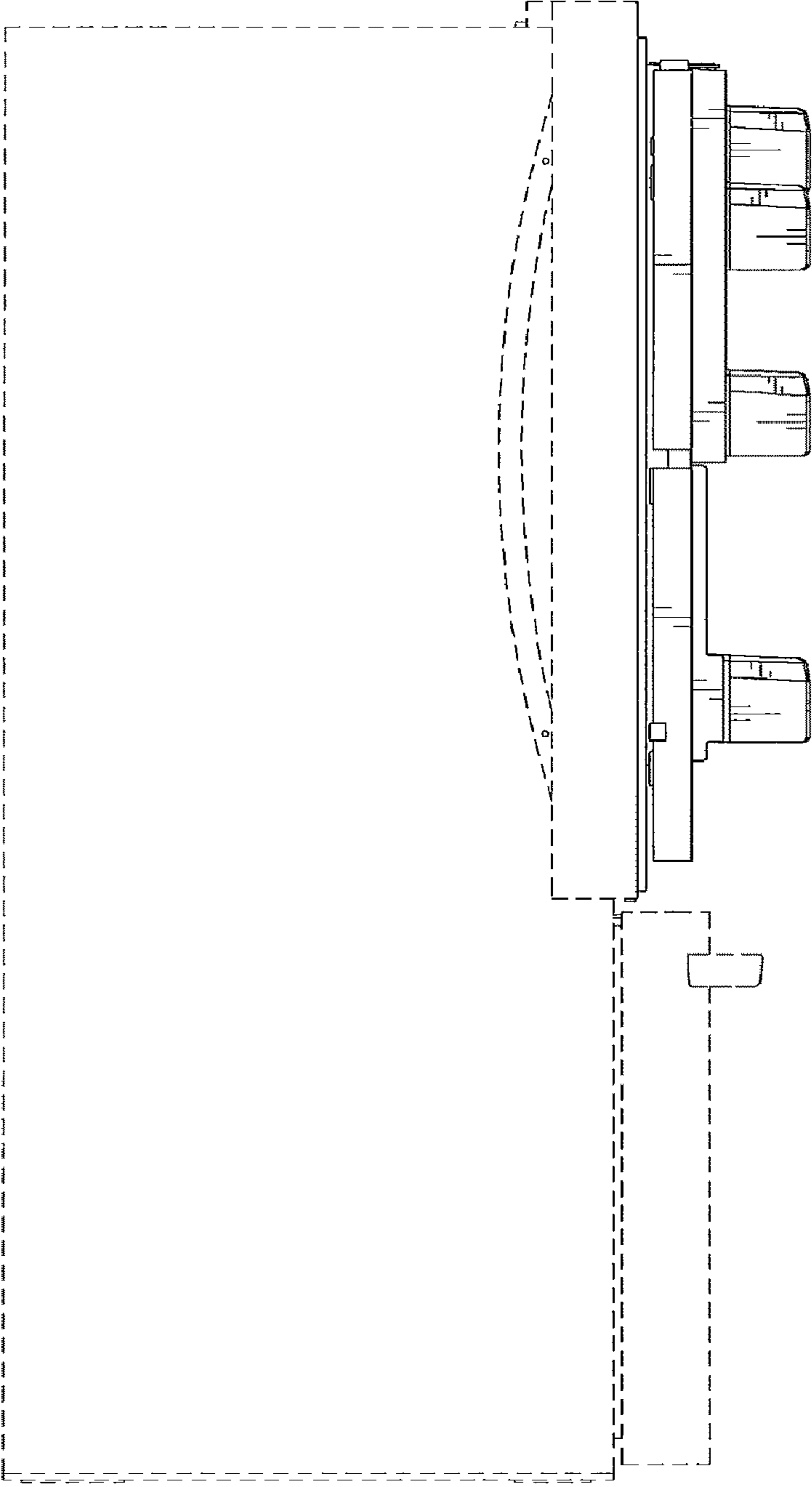


FIG. 5

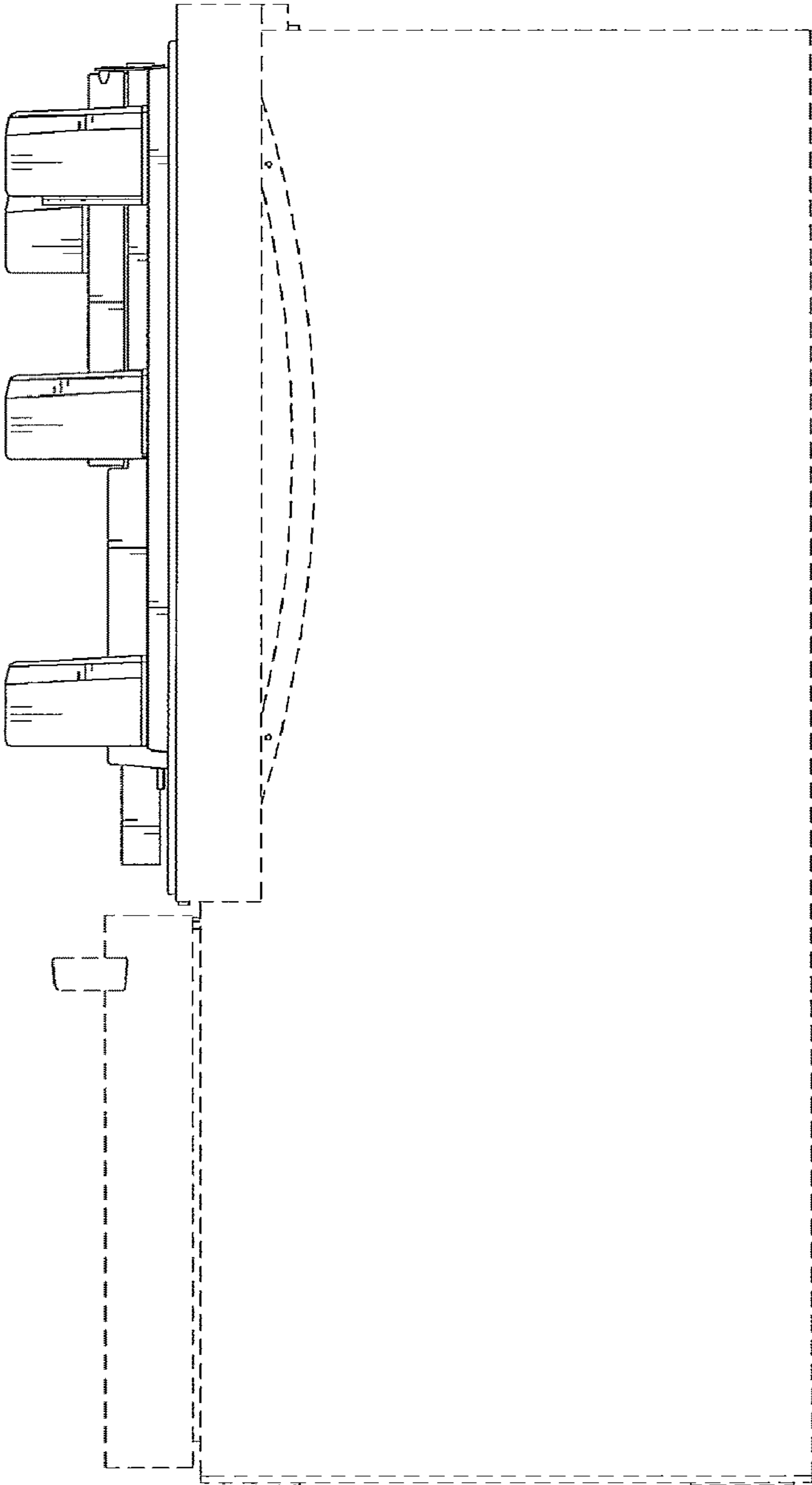


FIG. 6

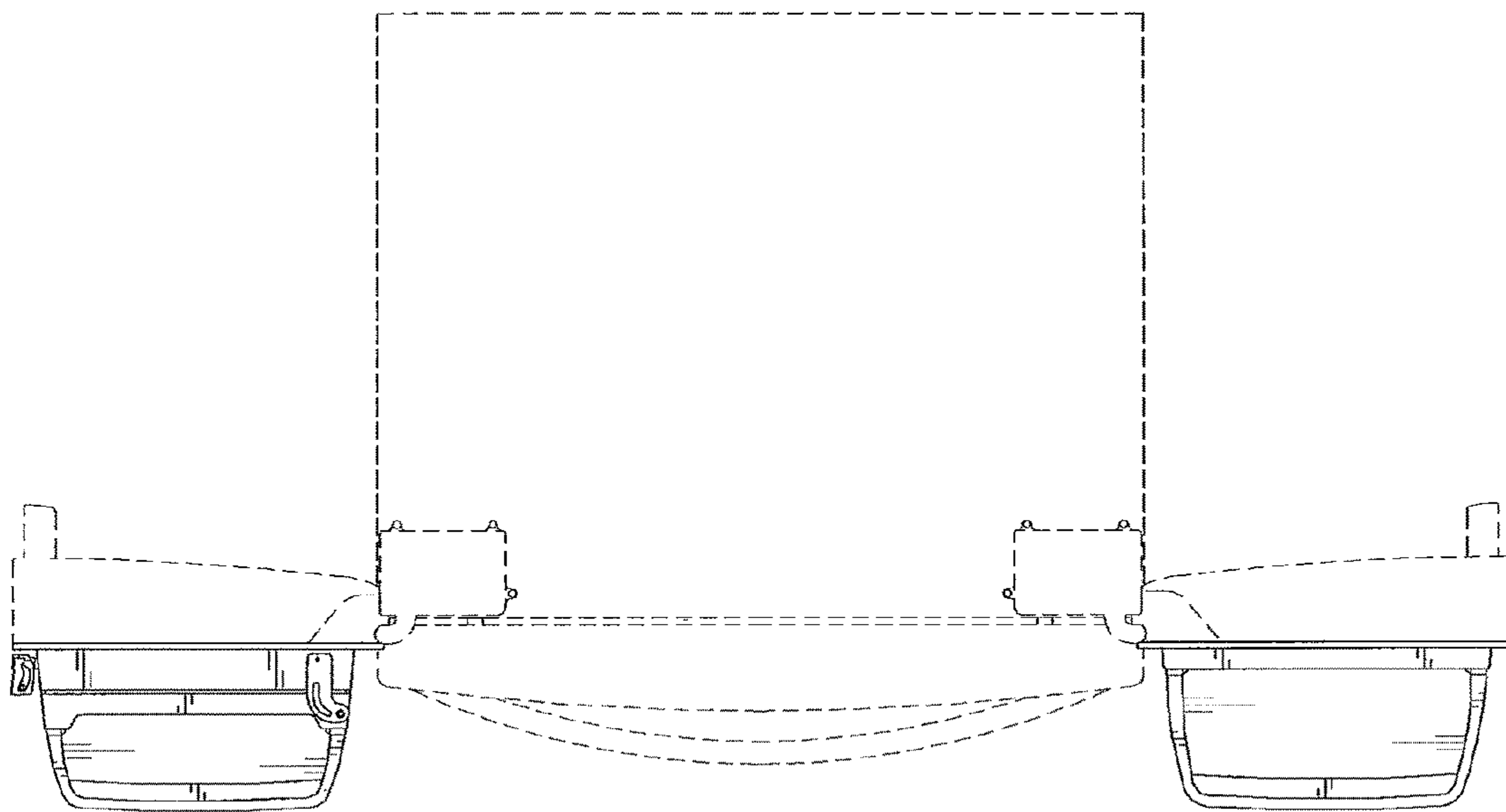


FIG. 7

