



US00D654514S

(12) **United States Design Patent**  
**Jamieson et al.**

(10) **Patent No.:** **US D654,514 S**

(45) **Date of Patent:** **\*\* Feb. 21, 2012**

- (54) **LOADER BOOM FOOT CASTING**
- (75) Inventors: **Scott R. Jamieson**, Welland (CA);  
**Henry A. Lanting**, Dunnville (CA);  
**Radu T. Guja**, Welland (CA)
- (73) Assignee: **Deere & Company**, Moline, IL (US)
- (\*\*) Term: **14 Years**
- (21) Appl. No.: **29/362,714**
- (22) Filed: **May 28, 2010**
- (51) **LOC (9) Cl.** ..... **15-03**
- (52) **U.S. Cl.** ..... **D15/28**
- (58) **Field of Classification Search** ..... D15/10,  
D15/22-26, 28, 29, 32; 414/686, 694, 722,  
414/718, 815, 723, 685; 37/341, 407; 403/306  
See application file for complete search history.

D535,667	S *	1/2007	Higashikawa et al.	.....	D15/32
7,168,907	B2 *	1/2007	Lyons et al.	.....	414/686
7,354,237	B2 *	4/2008	Frey	.....	414/686
D584,749	S *	1/2009	Smith et al.	.....	D15/28
D595,746	S *	7/2009	Iida et al.	.....	D15/32
D598,031	S *	8/2009	Smith et al.	.....	D15/28
7,568,878	B2 *	8/2009	Frey	.....	414/686
D610,172	S *	2/2010	Yukino et al.	.....	D15/32
7,735,530	B1 *	6/2010	Riha et al.	.....	144/4.1
D628,604	S *	12/2010	Major	.....	D15/32
D629,019	S *	12/2010	Major	.....	D15/32
2003/0118432	A1 *	6/2003	Lee	.....	414/722
2004/0000077	A1 *	1/2004	Fatemi	.....	37/468
2004/0170472	A1 *	9/2004	Anderson	.....	403/355
2006/0107557	A1 *	5/2006	Fatemi	.....	37/466
2006/0254096	A1 *	11/2006	Poire	.....	37/468
2007/0020078	A1 *	1/2007	Frey	.....	414/686
2007/0031233	A1 *	2/2007	Frey	.....	414/685
2010/0119344	A1 *	5/2010	Nabata et al.	.....	414/722
2010/0158653	A1 *	6/2010	Webb et al.	.....	414/722
2010/0303541	A1 *	12/2010	Okumura et al.	.....	403/306
2011/0064552	A1 *	3/2011	Kuraya et al.	.....	414/685

\* cited by examiner

(56) **References Cited**

**U.S. PATENT DOCUMENTS**

3,283,928	A *	11/1966	Bosredon	.....	414/694
3,313,431	A *	4/1967	Kelly	.....	414/694
D214,833	S *	8/1969	Glommen	.....	D15/32
3,747,472	A *	7/1973	Knutson	.....	91/384
4,260,322	A *	4/1981	Cameron	.....	414/727
4,538,955	A *	9/1985	Langenfeld et al.	.....	414/686
4,576,543	A *	3/1986	Kuchyt et al.	.....	414/722
4,798,512	A *	1/1989	Intveld	.....	414/722
D319,448	S *	8/1991	Ball et al.	.....	D15/32
5,054,990	A *	10/1991	Schaeff	.....	414/694
5,125,787	A *	6/1992	Ball et al.	.....	414/722
D339,813	S *	9/1993	Houkom	.....	D15/32
5,531,561	A *	7/1996	Rae et al.	.....	414/686
5,544,435	A *	8/1996	Somero	.....	37/405
5,606,809	A *	3/1997	Allen	.....	37/443
5,611,657	A *	3/1997	Peterson	.....	414/722
D410,240	S *	5/1999	Sasaki	.....	D15/32
D412,913	S *	8/1999	Sasaki	.....	D15/32
6,106,217	A *	8/2000	Knell	.....	414/722
D449,055	S *	10/2001	Guiet	.....	D15/28
D451,105	S *	11/2001	Masumoto et al.	.....	D15/28
6,386,821	B1 *	5/2002	Schneider	.....	414/686
D459,368	S *	6/2002	Westendorf et al.	.....	D15/32
6,851,886	B2 *	2/2005	Anderson	.....	403/355
D528,569	S *	9/2006	Nilsson	.....	D15/32
D533,883	S *	12/2006	Higashikawa et al.	.....	D15/32

*Primary Examiner* — Mark Goodwin

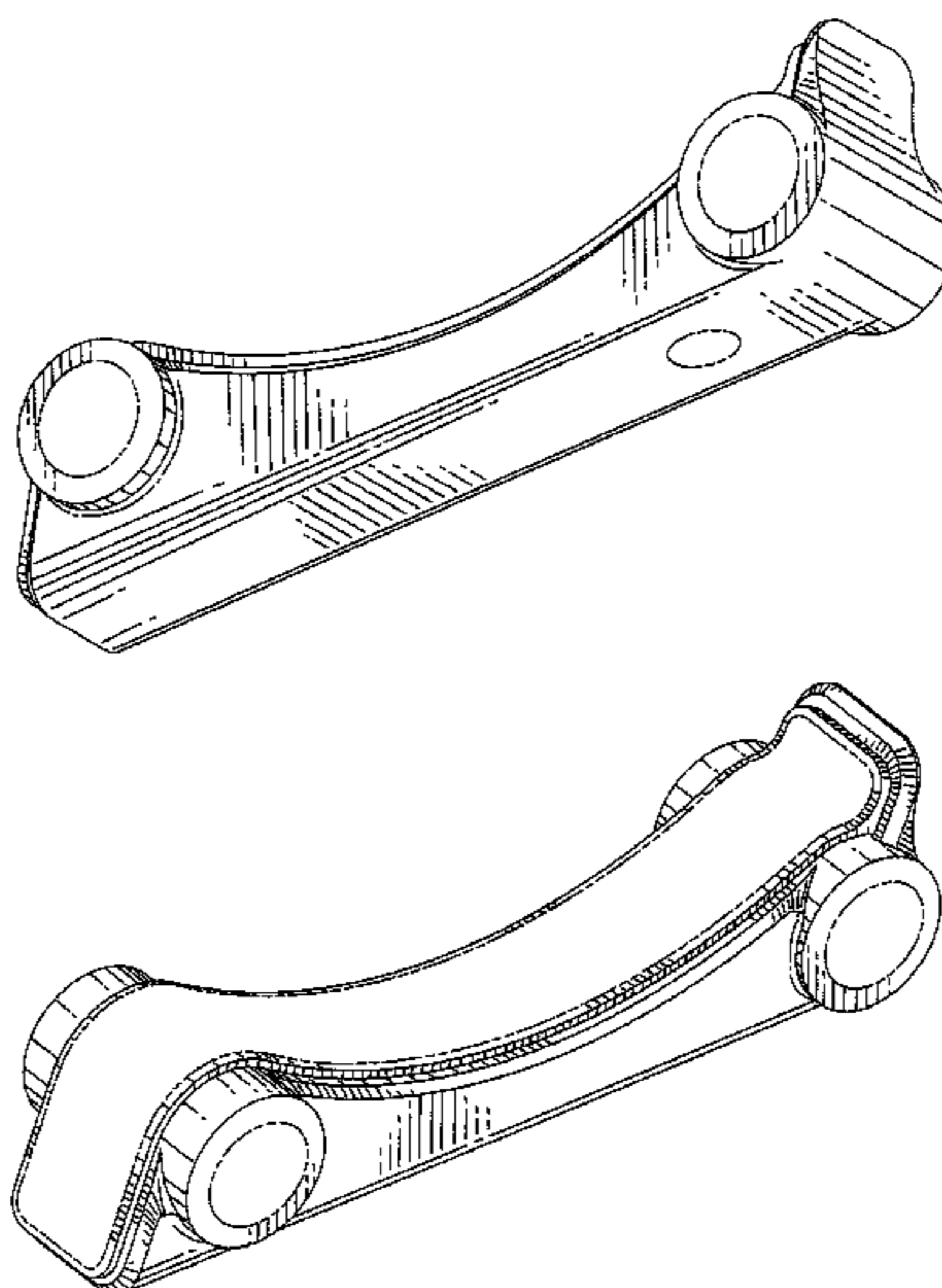
(57) **CLAIM**

The ornamental design for a loader boom foot casting, as shown and described.

**DESCRIPTION**

FIG. 1 is a top perspective view of a loader boom foot casting showing our new design in use condition.  
 FIG. 2 is an enlarged top perspective view thereof.  
 FIG. 3 is a bottom perspective view thereof.  
 FIG. 4 is a top view thereof.  
 FIG. 5 is a left side view thereof.  
 FIG. 6 is a bottom view thereof.  
 FIG. 7 is a right side view thereof.  
 FIG. 8 is a front end view thereof; and,  
 FIG. 9 is a rear end view thereof.  
 The broken line showing of a loader boom, an extra loader boom foot casting, and various surface features is included for the purpose of illustrating environmental structure and forms no part of the claimed design.

**1 Claim, 4 Drawing Sheets**



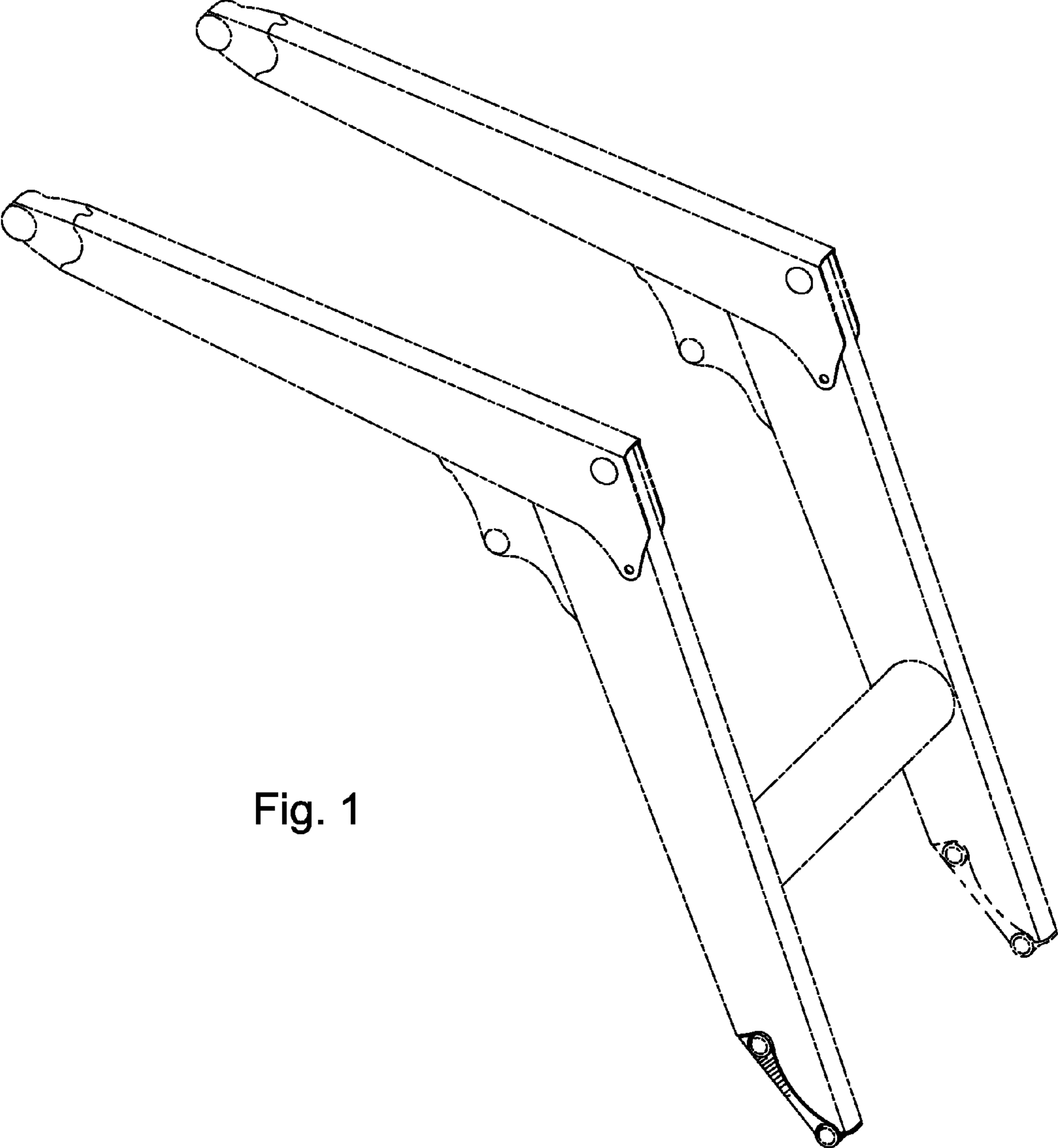


Fig. 1

Fig. 2

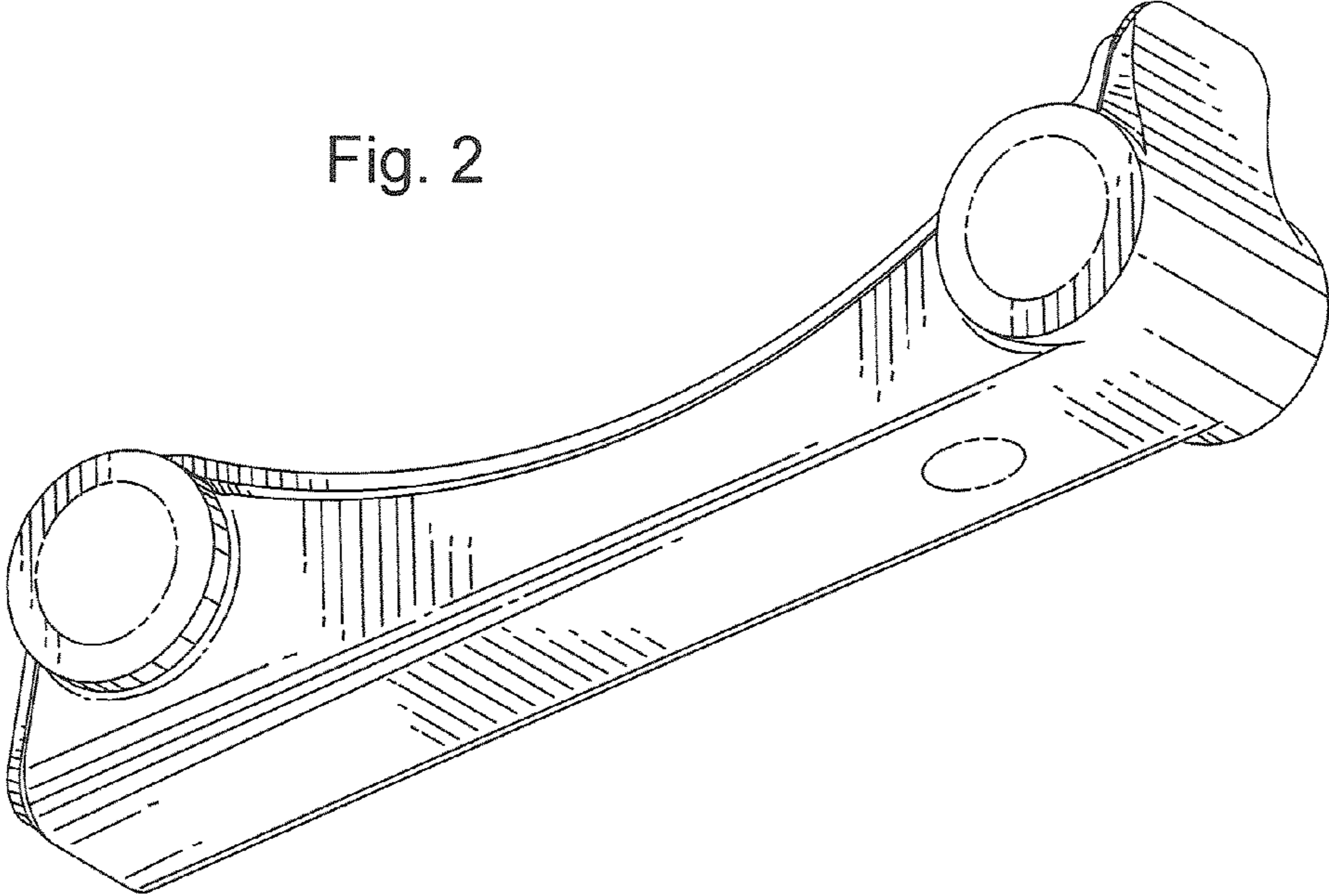
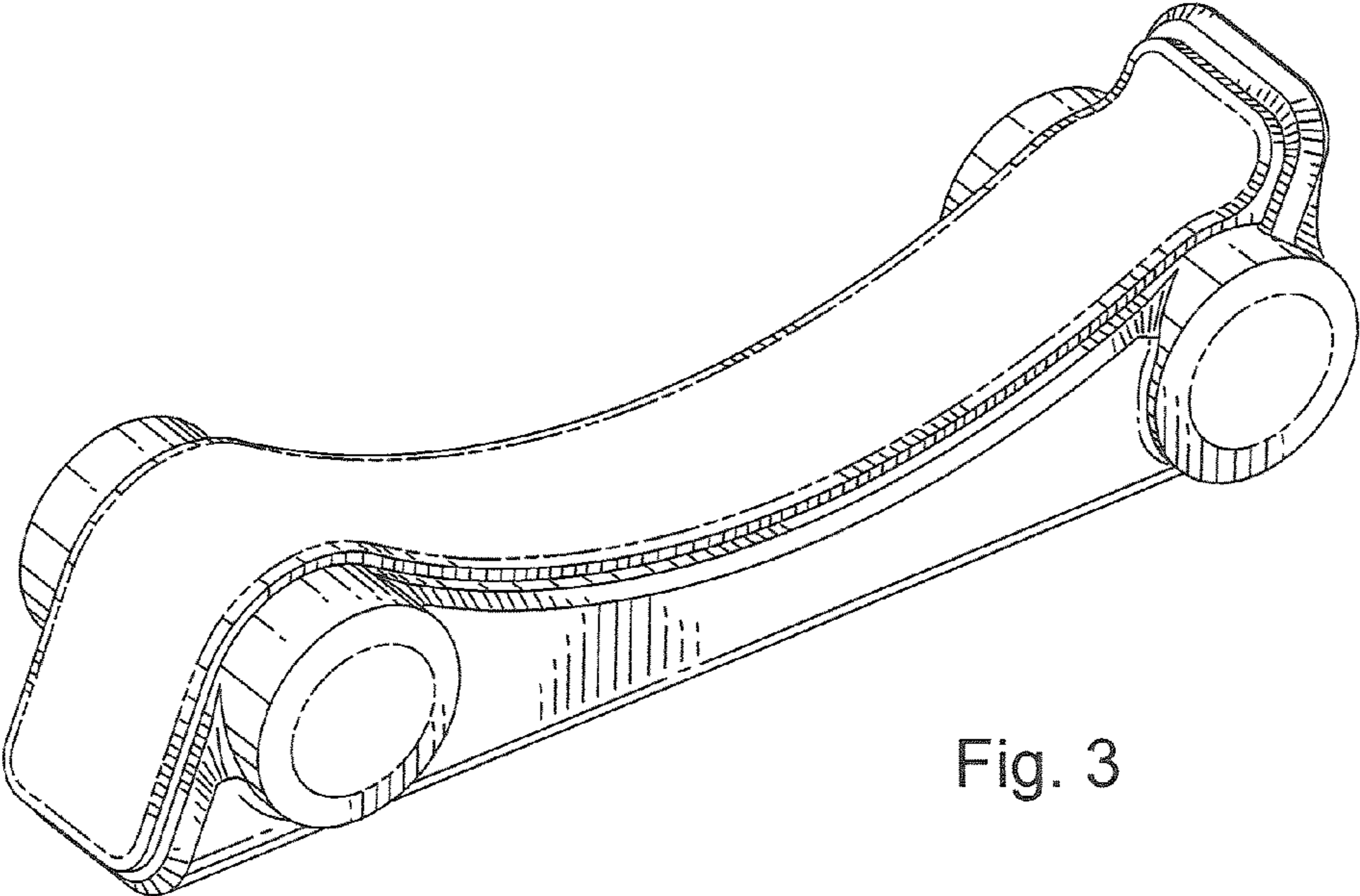


Fig. 3



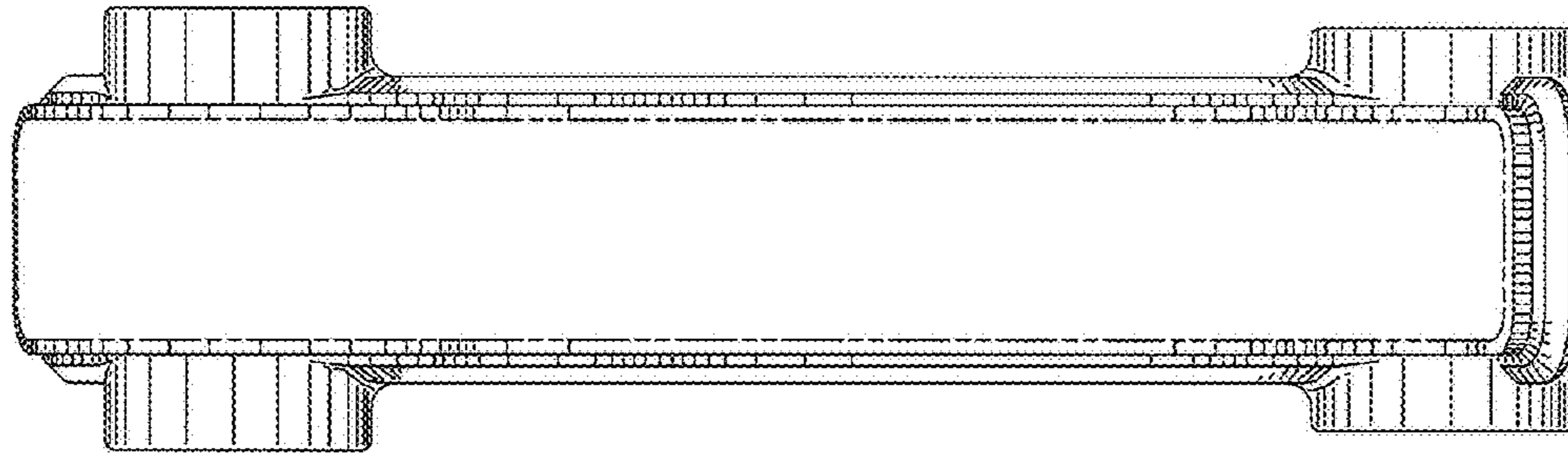


Fig. 4

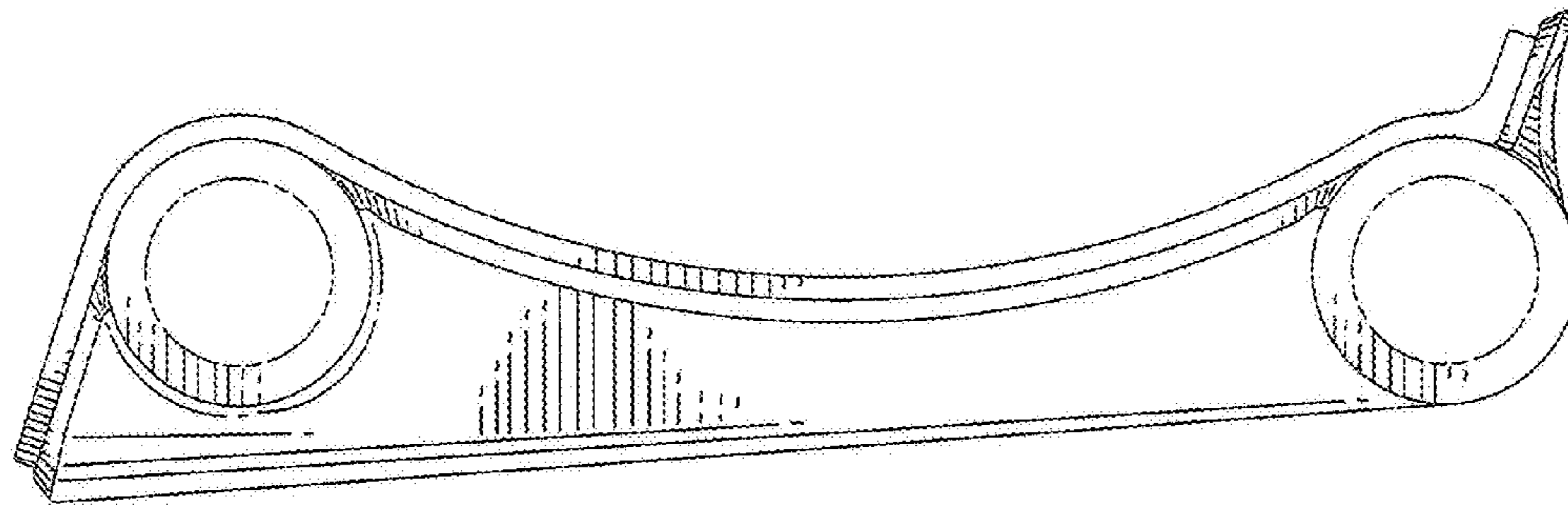


Fig. 5

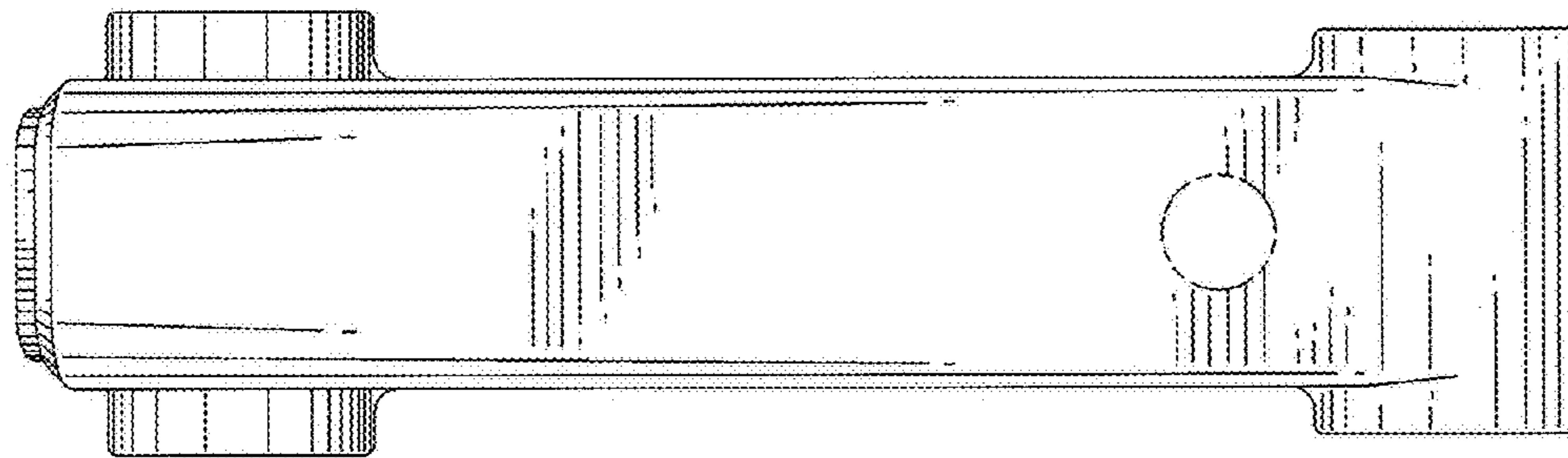


Fig. 6

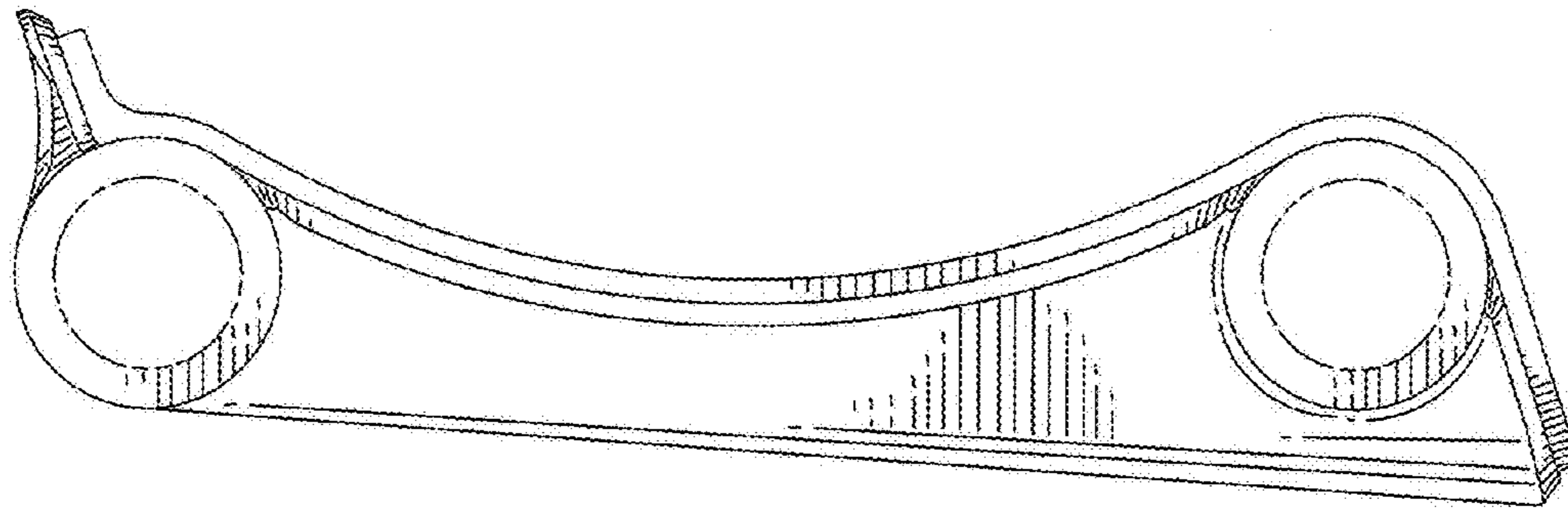


Fig. 7

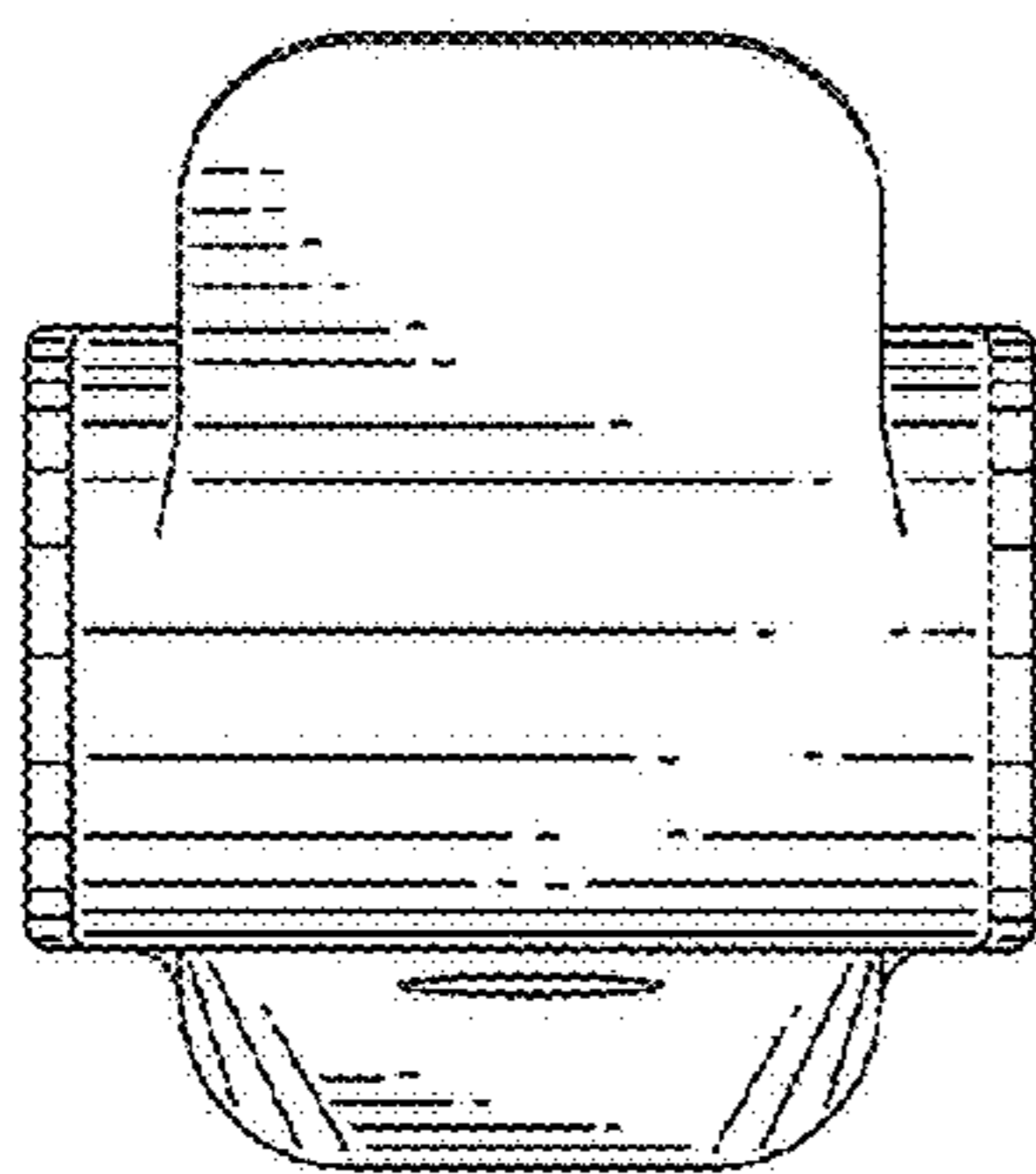


Fig. 8

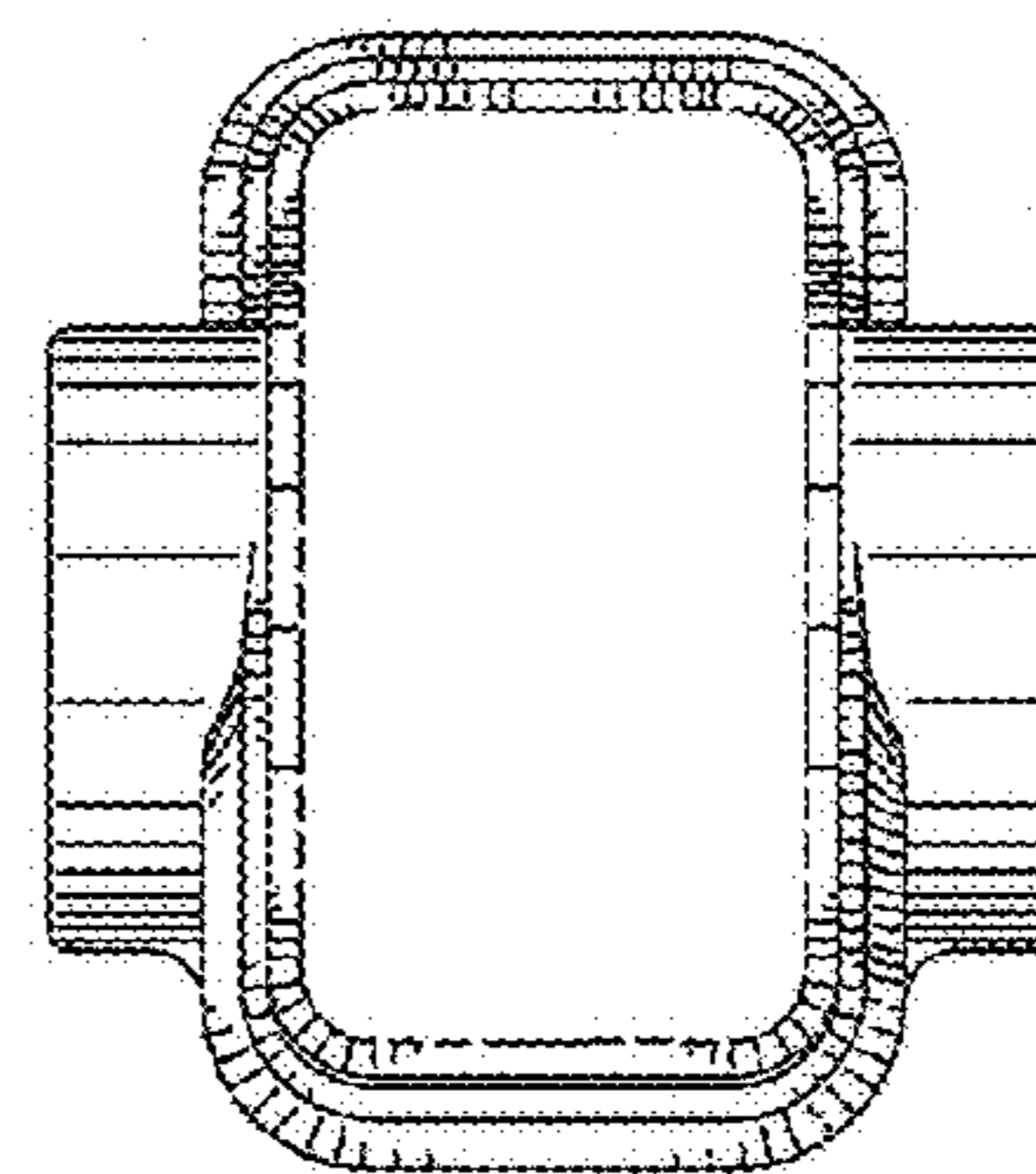


Fig. 9