



US00D654513S

(12) **United States Design Patent**  
**McPhail et al.**

(10) **Patent No.:** **US D654,513 S**

(45) **Date of Patent:** **\*\* Feb. 21, 2012**

(54) **WHEEL SEGMENT**

(75) Inventors: **James D. McPhail**, Peoria, IL (US);  
**Michael Hans Hinrichsen**, Congerville,  
IL (US); **Randy E. Schoepke**, Lacon, IL  
(US)

(73) Assignee: **Caterpillar, Inc.**, Peoria, IL (US)

(\*\*) Term: **14 Years**

(21) Appl. No.: **29/357,930**

(22) Filed: **Mar. 19, 2010**

(51) **LOC (9) Cl.** ..... **15-03**

(52) **U.S. Cl.** ..... **D15/28**

(58) **Field of Classification Search** ..... D15/28;  
172/514, 540, 817, 508, 554; 280/855, 856;  
305/107, 100, 109, 110; 404/124, 129, 121,  
404/122, 128; 301/37.101, 106, 109, 110,  
301/43

See application file for complete search history.

(56) **References Cited**

**U.S. PATENT DOCUMENTS**

3,071,050	A *	1/1963	Shatto	.....	404/124
4,066,375	A *	1/1978	Caron et al.	.....	404/121
4,074,942	A *	2/1978	Cochran	.....	404/121
D379,630	S *	6/1997	Brockway	.....	D15/29
5,769,507	A	6/1998	Brockway		
5,951,123	A	9/1999	Bomstad et al.		
5,967,242	A	10/1999	Caron et al.		
5,967,630	A *	10/1999	Sewell	.....	305/110
6,322,170	B1	11/2001	Knell et al.		
6,991,401	B1 *	1/2006	Caron	.....	404/124
D542,811	S *	5/2007	Lauder et al.	.....	D15/29
8,007,200	B2 *	8/2011	Brockway	.....	404/124
2004/0012244	A1	1/2004	Waterman et al.		
2006/0244311	A1 *	11/2006	Brockway	.....	305/100

2006/0255653	A1 *	11/2006	Gibbins	.....	301/43
2007/0280783	A1	12/2007	Gibbins et al.		
2010/0247242	A1 *	9/2010	Gibbins	.....	404/124
2011/0116866	A1 *	5/2011	Brockway	.....	404/121
2011/0116875	A1 *	5/2011	Brockway	.....	405/271

**OTHER PUBLICATIONS**

Komatsu Parts Book for CI 310 (Nov. 1995).  
Al-Jon Brochure for Advantage Landfill Compactor 600.

\* cited by examiner

*Primary Examiner* — Mark Goodwin

(74) *Attorney, Agent, or Firm* — Miller, Matthias & Hull  
LLP

(57) **CLAIM**

The ornamental design for a wheel segment, as shown and described.

**DESCRIPTION**

FIG. 1 is a perspective view of a wheel segment showing our new design in use condition, the broken line showing of extra wheel segments form no part of the claimed design;

FIG. 2 is an enlarged perspective view of the wheel segment of FIG. 1;

FIG. 3 is a front view thereof, the rear view being identical thereof;

FIG. 4 is a top plan view thereof;

FIG. 5 is a bottom plan view thereof; and,

FIG. 6 is a right end view thereof, the left end being identical thereof.

The broken line showing of the body of the wheel assembly in FIG. 1 is included for the purpose of illustrating environmental structure only and forms no part of the claimed design.

**1 Claim, 2 Drawing Sheets**

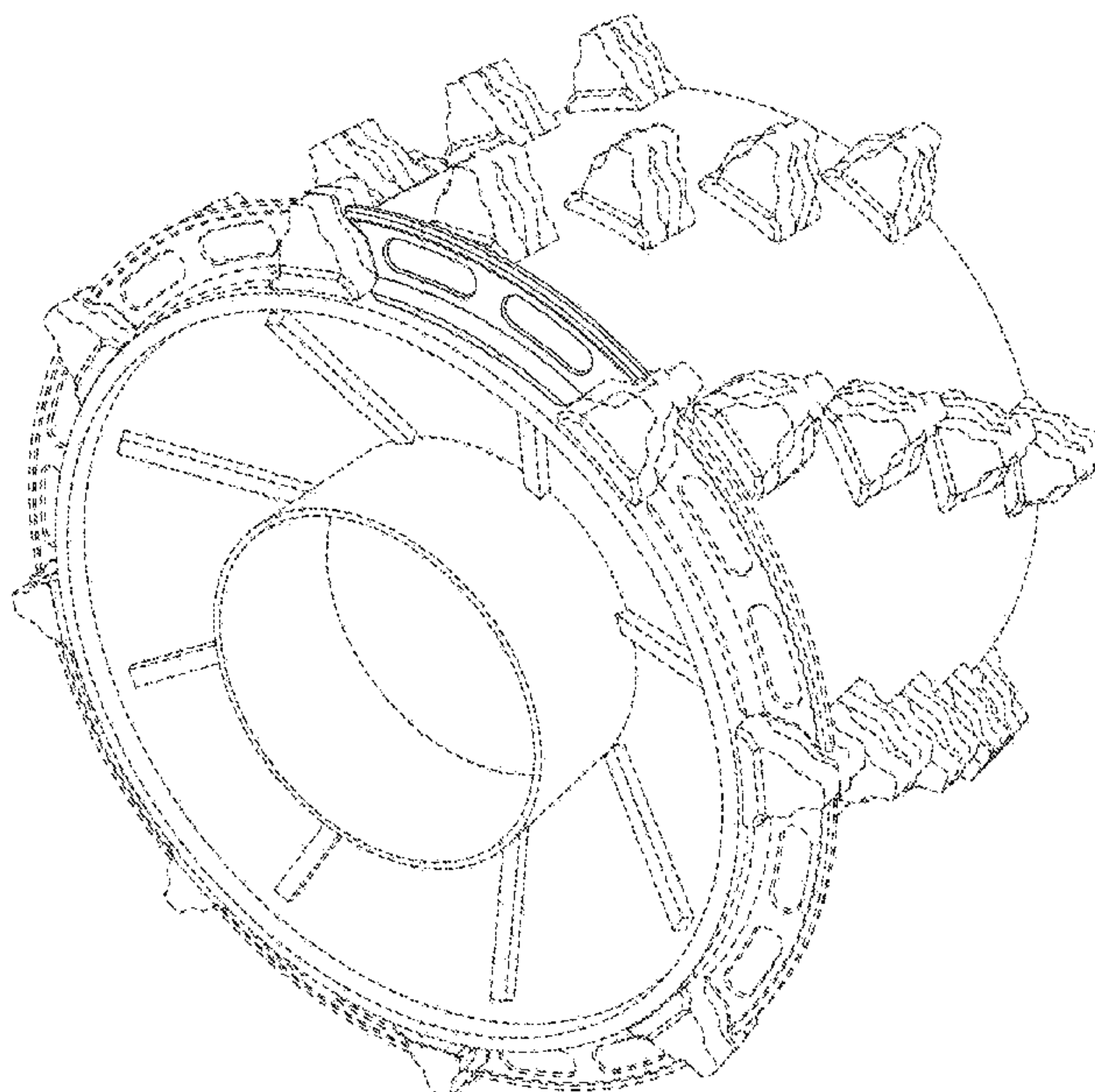


FIG. 1

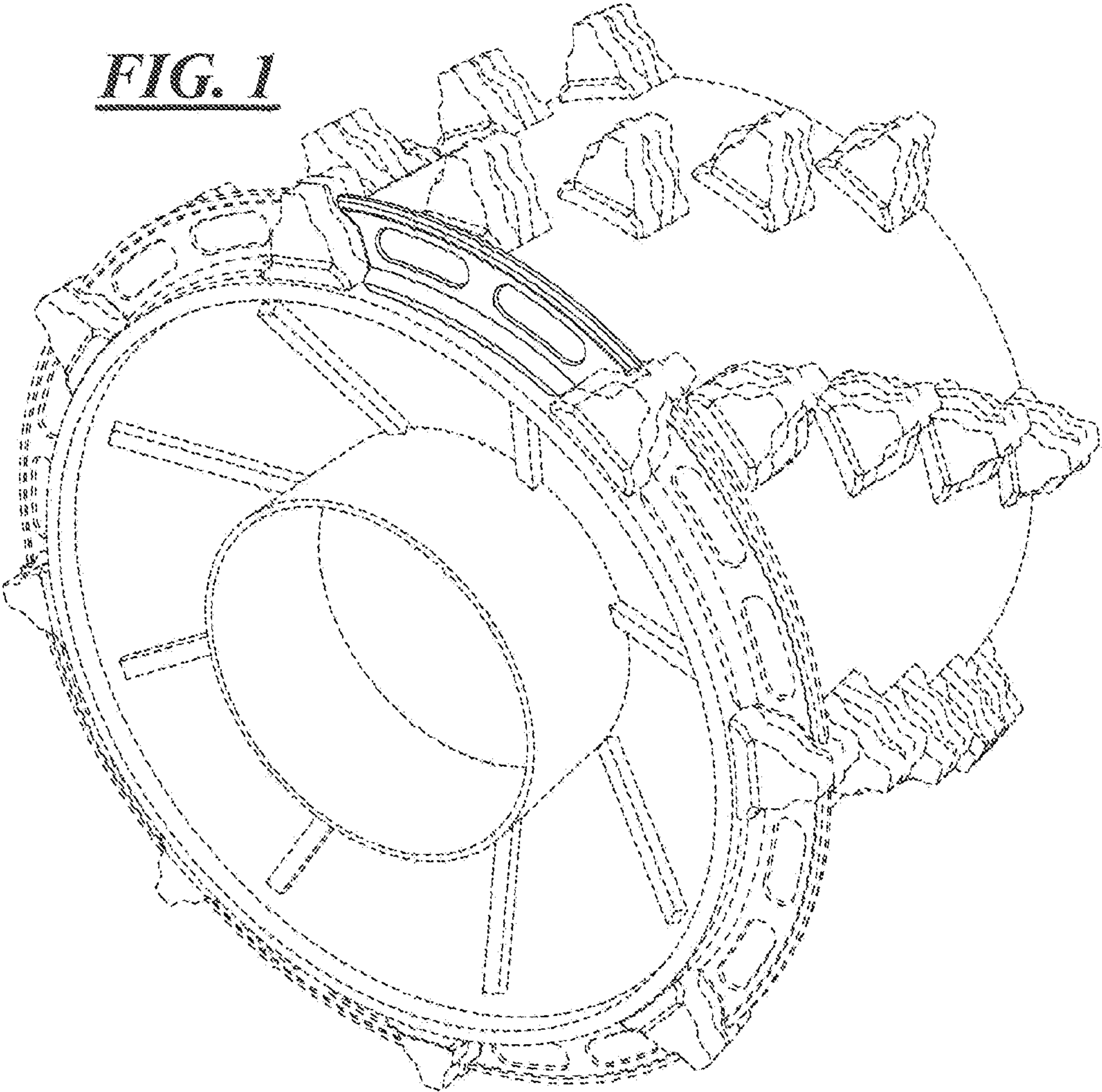
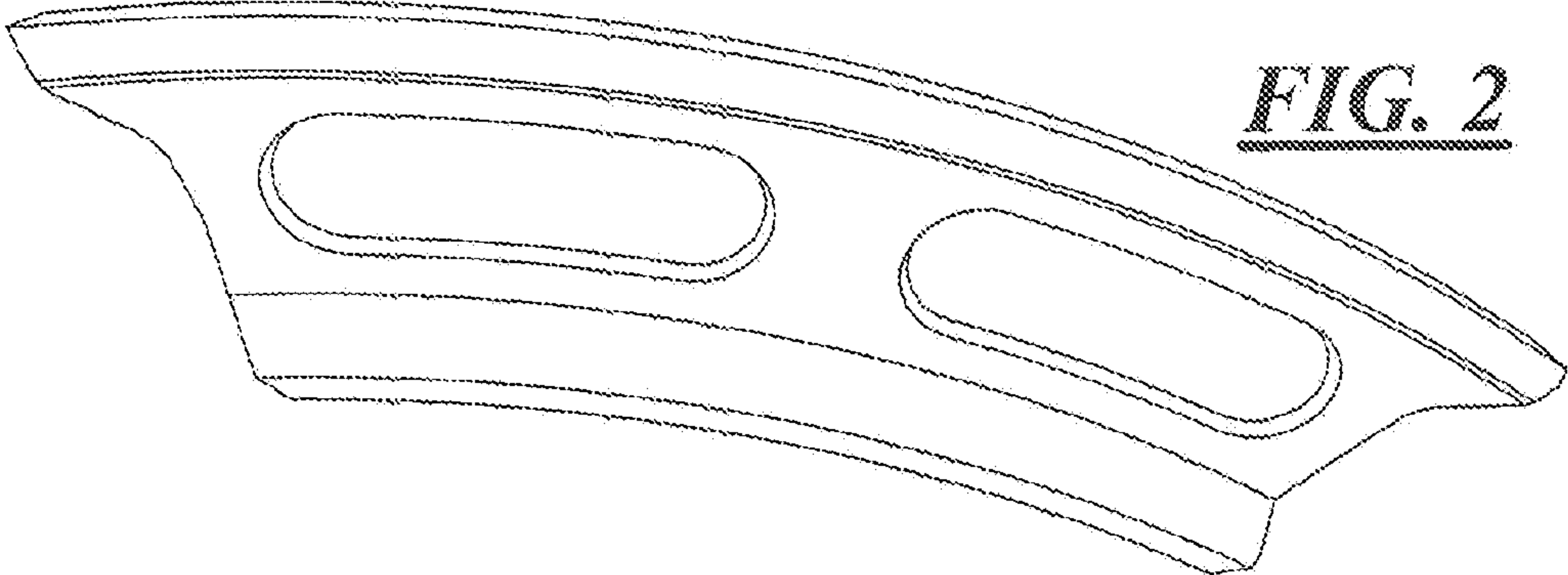
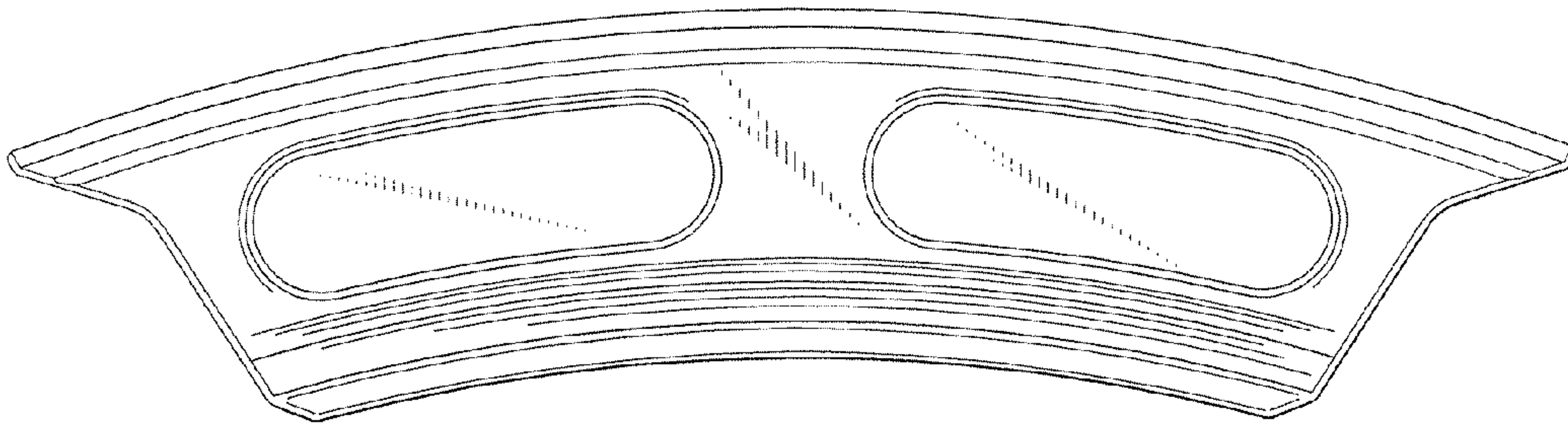


FIG. 2

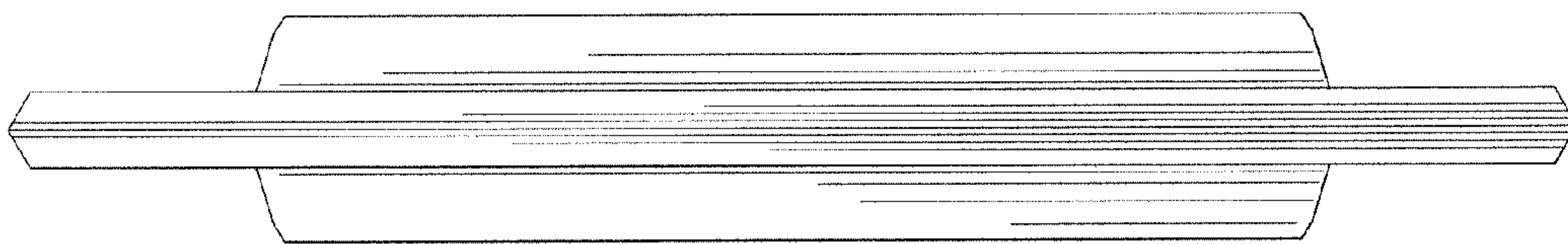




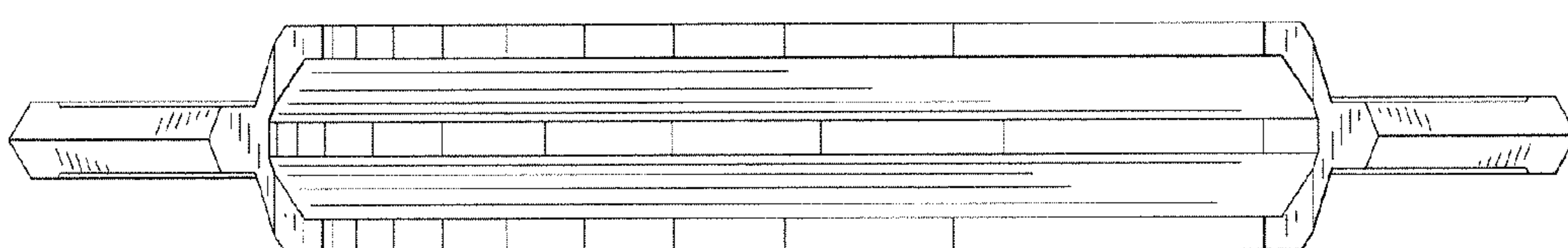
**FIG. 3**



**FIG. 4**



**FIG. 5**



**FIG. 6**

