



US00D654511S

(12) **United States Design Patent**  
**Näslund**

(10) **Patent No.:** **US D654,511 S**

(45) **Date of Patent:** **\*\* Feb. 21, 2012**

(54) **LAWN CARE VEHICLE BODY STRUCTURE**

(75) Inventor: **Jens Näslund**, Bromma (SE)

(73) Assignee: **Husqvarna AB**, Huskvarna (SE)

(\*\*) Term: **14 Years**

(21) Appl. No.: **29/405,657**

(22) Filed: **Nov. 4, 2011**

(30) **Foreign Application Priority Data**

May 25, 2011 (EM) ..... 001868308

(51) **LOC (9) Cl.** ..... **15-03**

(52) **U.S. Cl.** ..... **D15/17**

(58) **Field of Classification Search** ..... D15/10,  
D15/14-17, 22, 28, 33; 56/12.1, 12.7, 12.8,  
56/13.4, 13.7, 16.7, 17.1, 17.5, 202, 255,  
56/320.1-320.2; 180/89.1, 311

See application file for complete search history.

(56) **References Cited**

**U.S. PATENT DOCUMENTS**

D311,921 S *	11/1990	Popelier et al.	.....	D15/15
D327,484 S *	6/1992	Flenniken et al.	.....	D15/17
D338,896 S *	8/1993	Flenniken et al.	.....	D15/17
D339,357 S *	9/1993	Teal et al.	.....	D15/17
D340,461 S *	10/1993	Patterson et al.	.....	D15/15
D340,936 S *	11/1993	Matsuda et al.	.....	D15/15
D344,959 S *	3/1994	Patterson et al.	.....	D15/17
D344,960 S *	3/1994	Patterson et al.	.....	D15/17
D362,447 S *	9/1995	Lamb	.....	D15/15
D386,189 S *	11/1997	Wolf	.....	D15/15
D387,358 S *	12/1997	Wolf	.....	D15/15
D387,359 S *	12/1997	Wolf	.....	D15/17
D389,160 S *	1/1998	Wolf	.....	D15/17
D392,981 S *	3/1998	Smith	.....	D15/15
D392,982 S *	3/1998	Smith	.....	D15/17
D393,267 S *	4/1998	Wolf	.....	D15/17

D393,863 S *	4/1998	Wolf	.....	D15/17
D397,121 S *	8/1998	Smith	.....	D15/15
D398,311 S *	9/1998	Smith	.....	D15/15
D409,628 S *	5/1999	Shimamura et al.	.....	D15/15
D433,425 S *	11/2000	Surrige et al.	.....	D15/17
D440,233 S *	4/2001	Smith	.....	D15/17
D442,972 S *	5/2001	Wolf	.....	D15/15
D447,153 S *	8/2001	Hornung	.....	D15/17
D447,491 S *	9/2001	Goebert et al.	.....	D15/17
D448,036 S *	9/2001	Goebert et al.	.....	D15/17
D450,330 S *	11/2001	Katoh et al.	.....	D15/15

(Continued)

*Primary Examiner* — Mark Goodwin

(74) *Attorney, Agent, or Firm* — Nelson Mullins Riley & Scarborough LLP

(57) **CLAIM**

The ornamental design for a lawn care vehicle body structure, as shown and described.

**DESCRIPTION**

FIG. 1 is a top perspective view of a lawn care vehicle body structure showing my new design;

FIG. 2 is a front view of the lawn care vehicle body structure of FIG. 1;

FIG. 3 is a rear view of the lawn care vehicle body structure of FIG. 1;

FIG. 4 is a right side view of the lawn care vehicle body structure of FIG. 1;

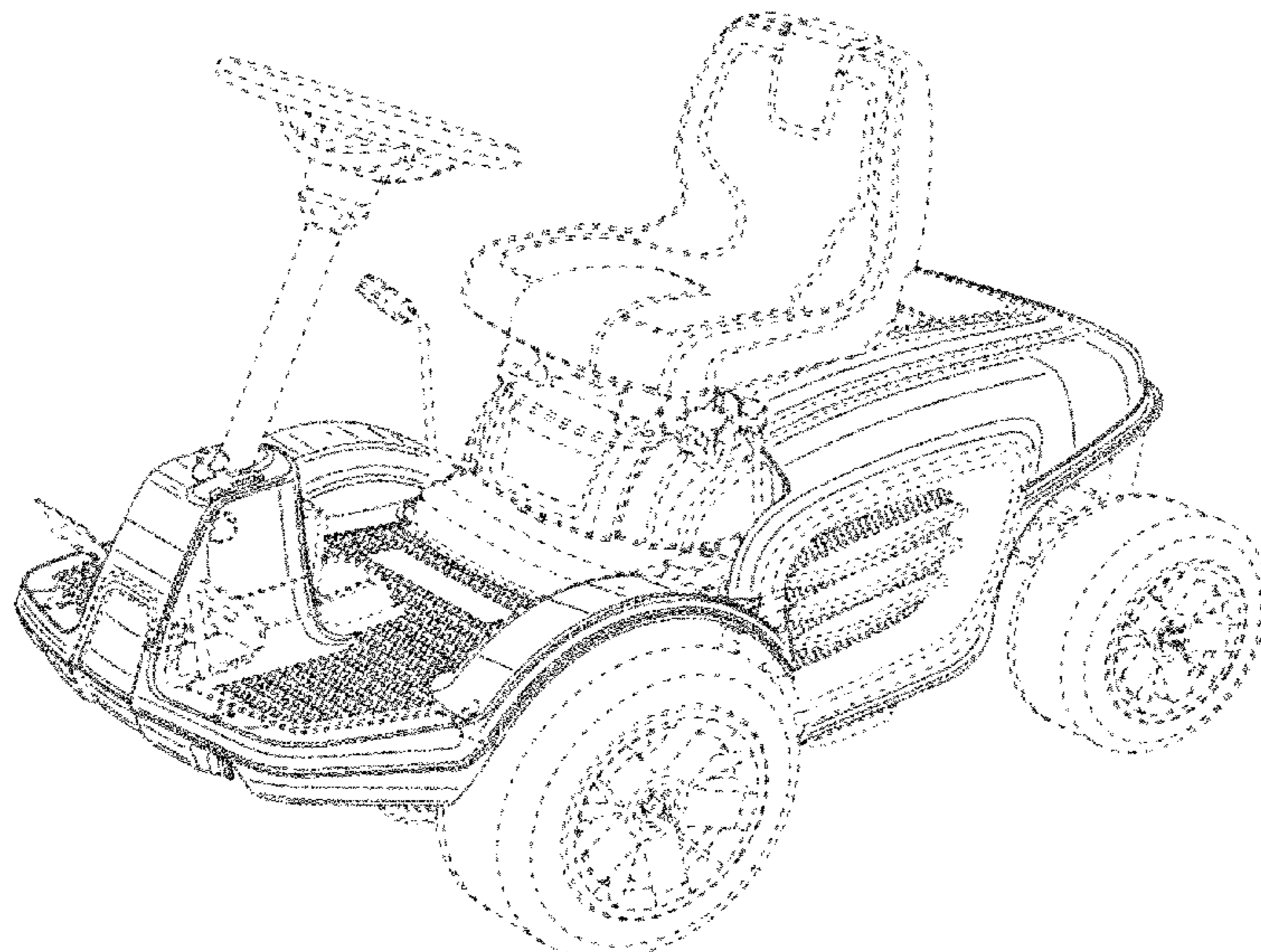
FIG. 5 is a left side view of the lawn care vehicle body structure of FIG. 1;

FIG. 6 is a top plan view of the lawn care vehicle body structure of FIG. 1; and,

FIG. 7 is a bottom plan view of the lawn care vehicle body structure of FIG. 1.

The broken lines of FIGS. 1-7 are illustrative of the visible environmental structure of the lawn care vehicle body structure and form no part of the claimed design.

**1 Claim, 7 Drawing Sheets**



# US D654,511 S

Page 2

---

## U.S. PATENT DOCUMENTS

D455,156 S *	4/2002	Rittfeldt .....	D15/10	D512,444 S *	12/2005	Ayers et al. ....	D15/15
D495,718 S *	9/2004	Higashikawa .....	D15/15	D624,562 S *	9/2010	Neeley et al. ....	D15/17
						* cited by examiner	

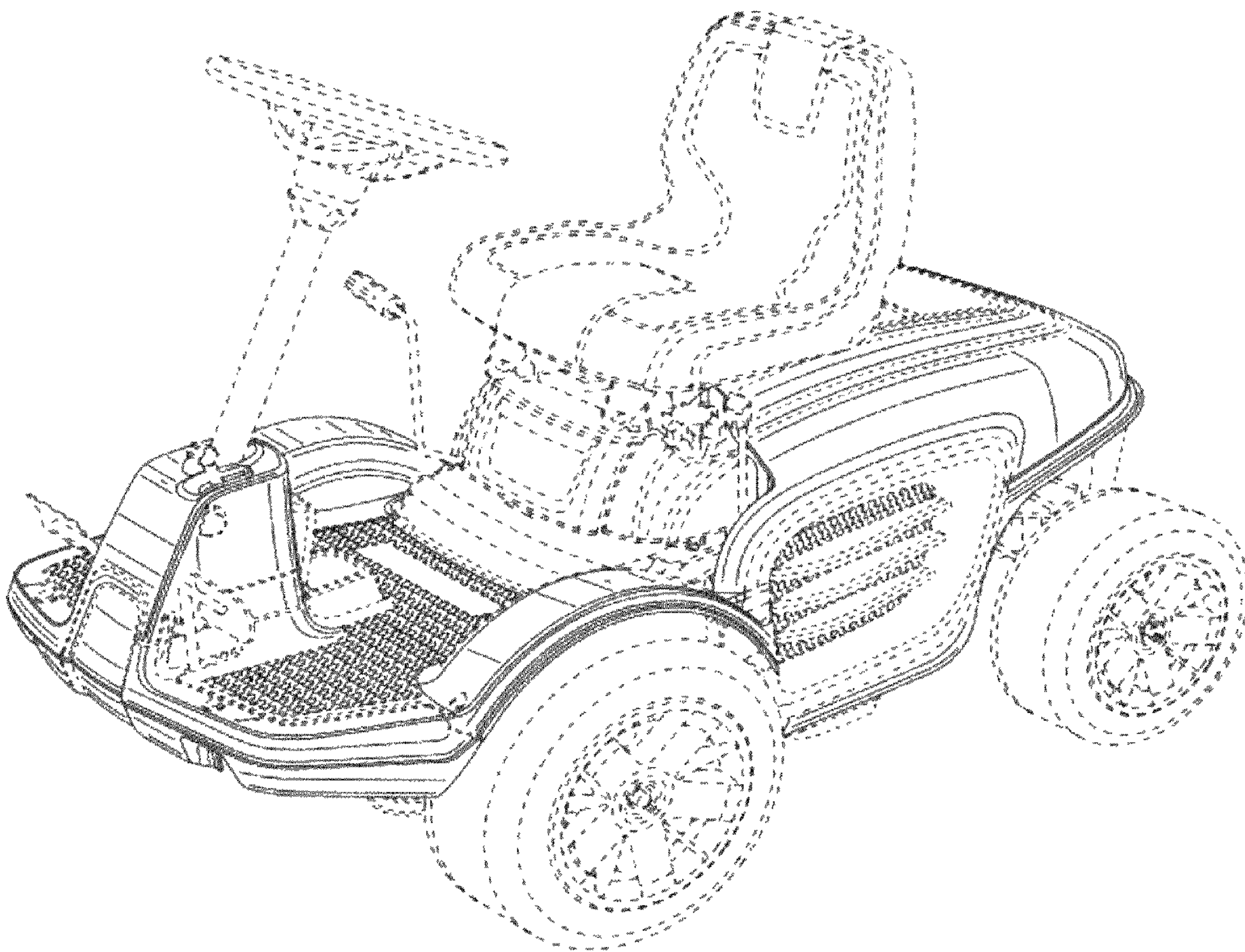


FIG. 1

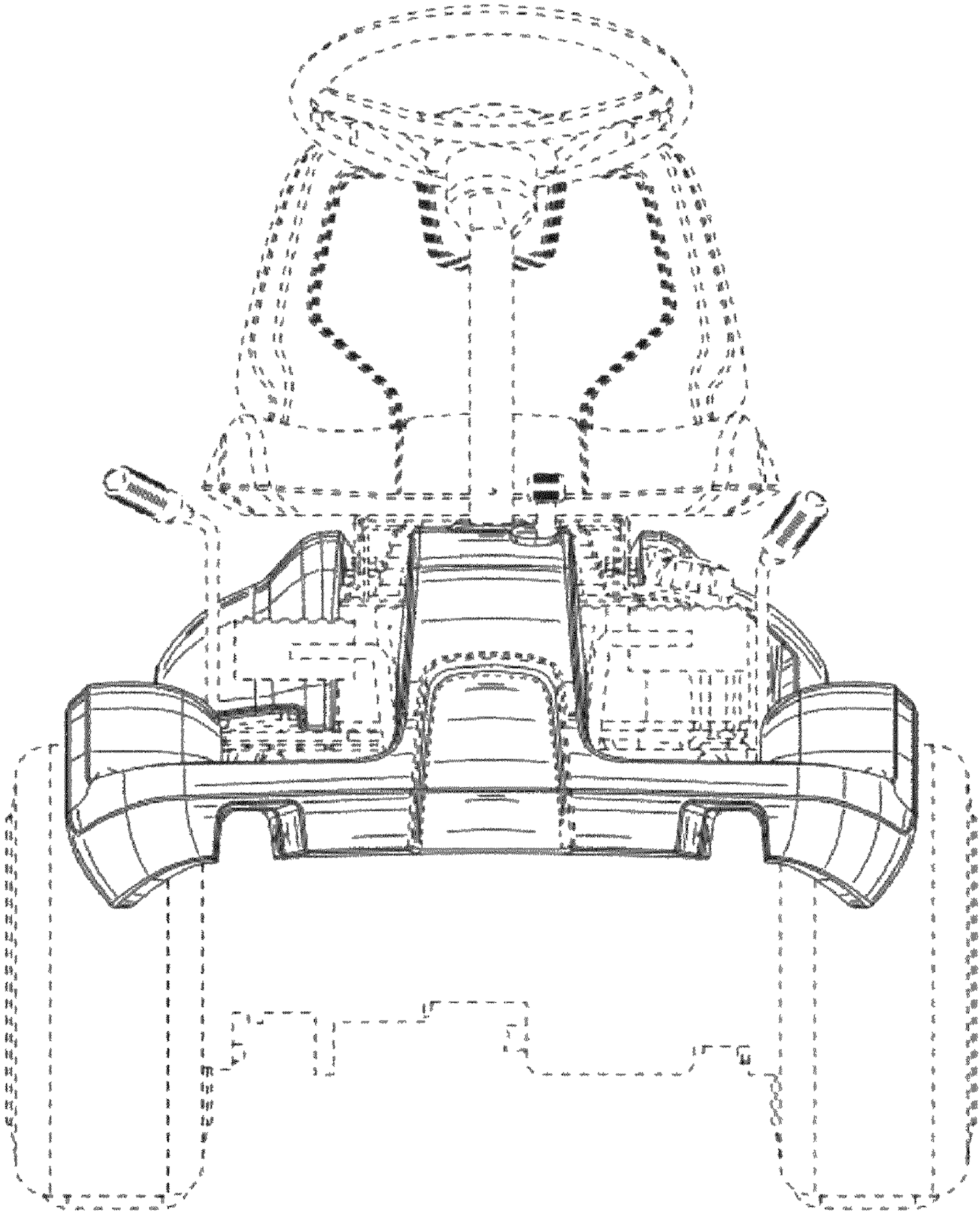


FIG. 2

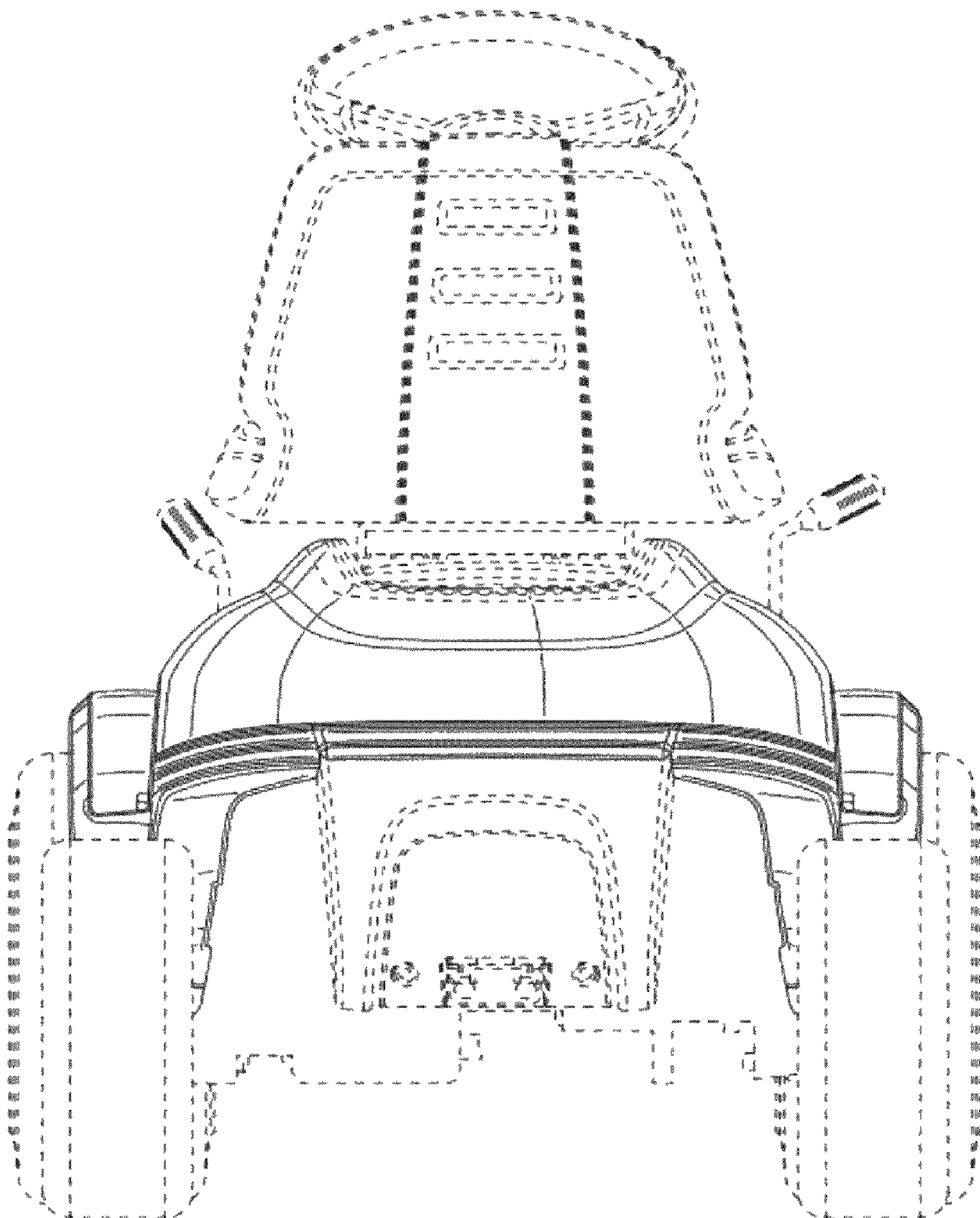


FIG. 3

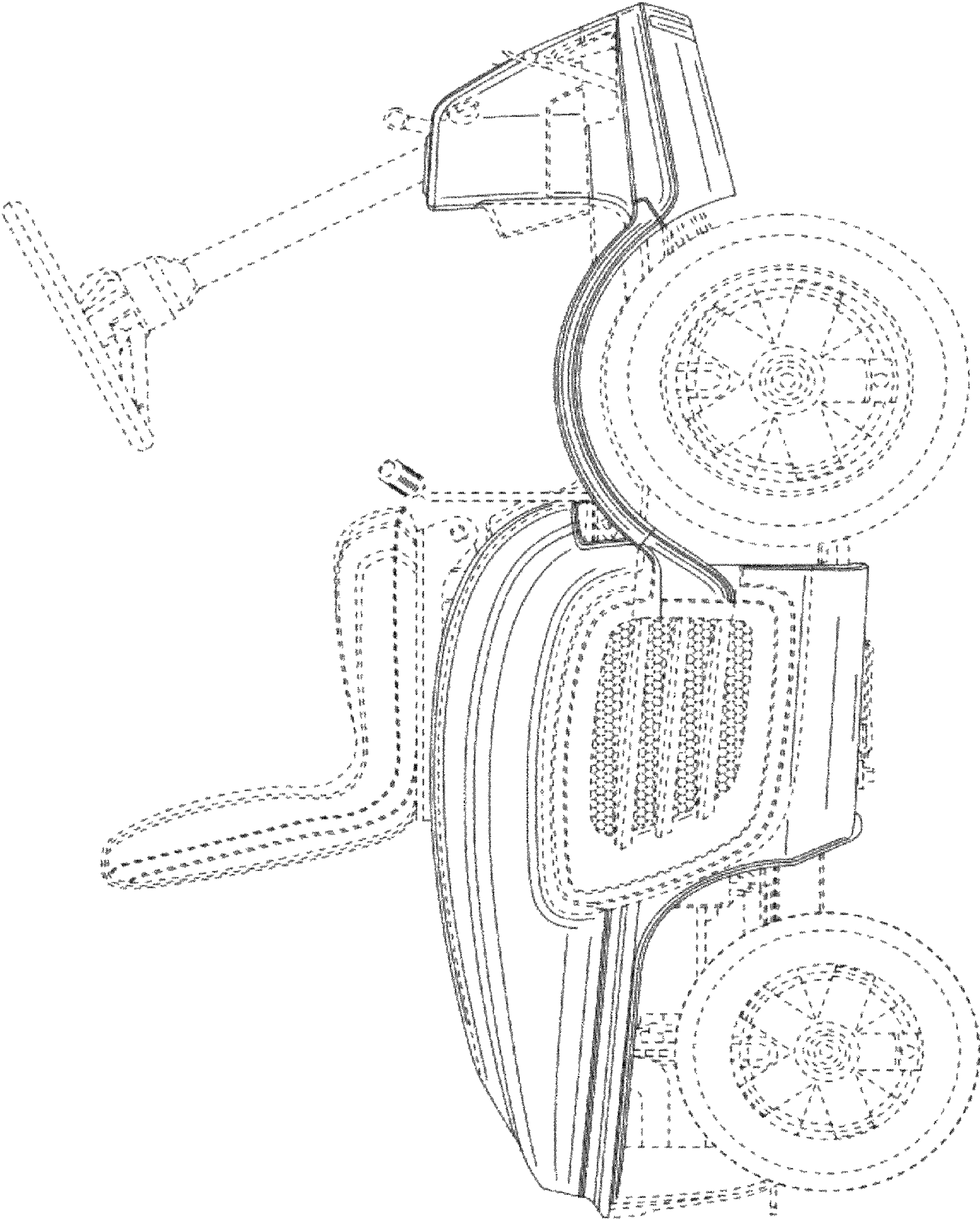


FIG. 4

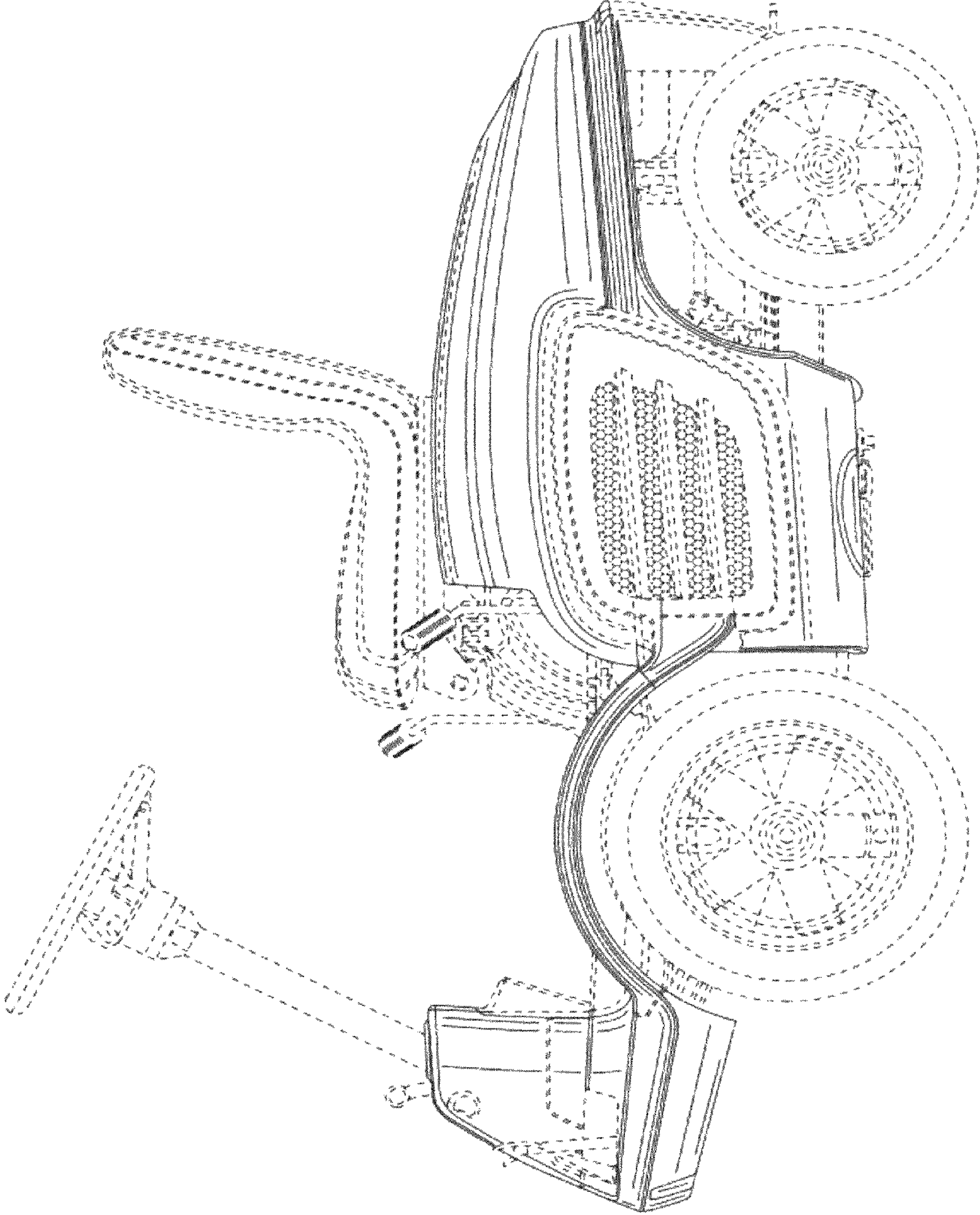


FIG. 5

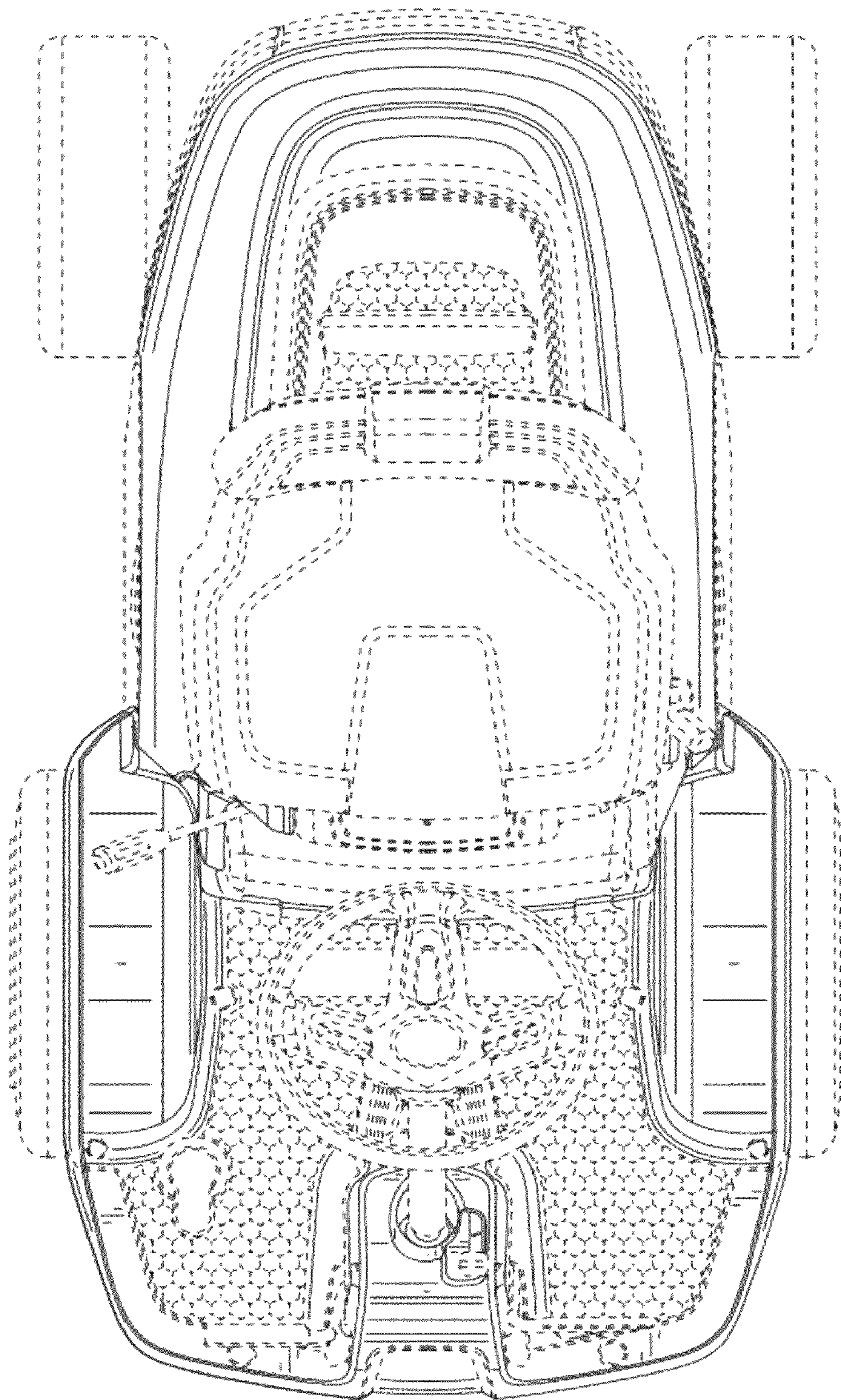


FIG. 6



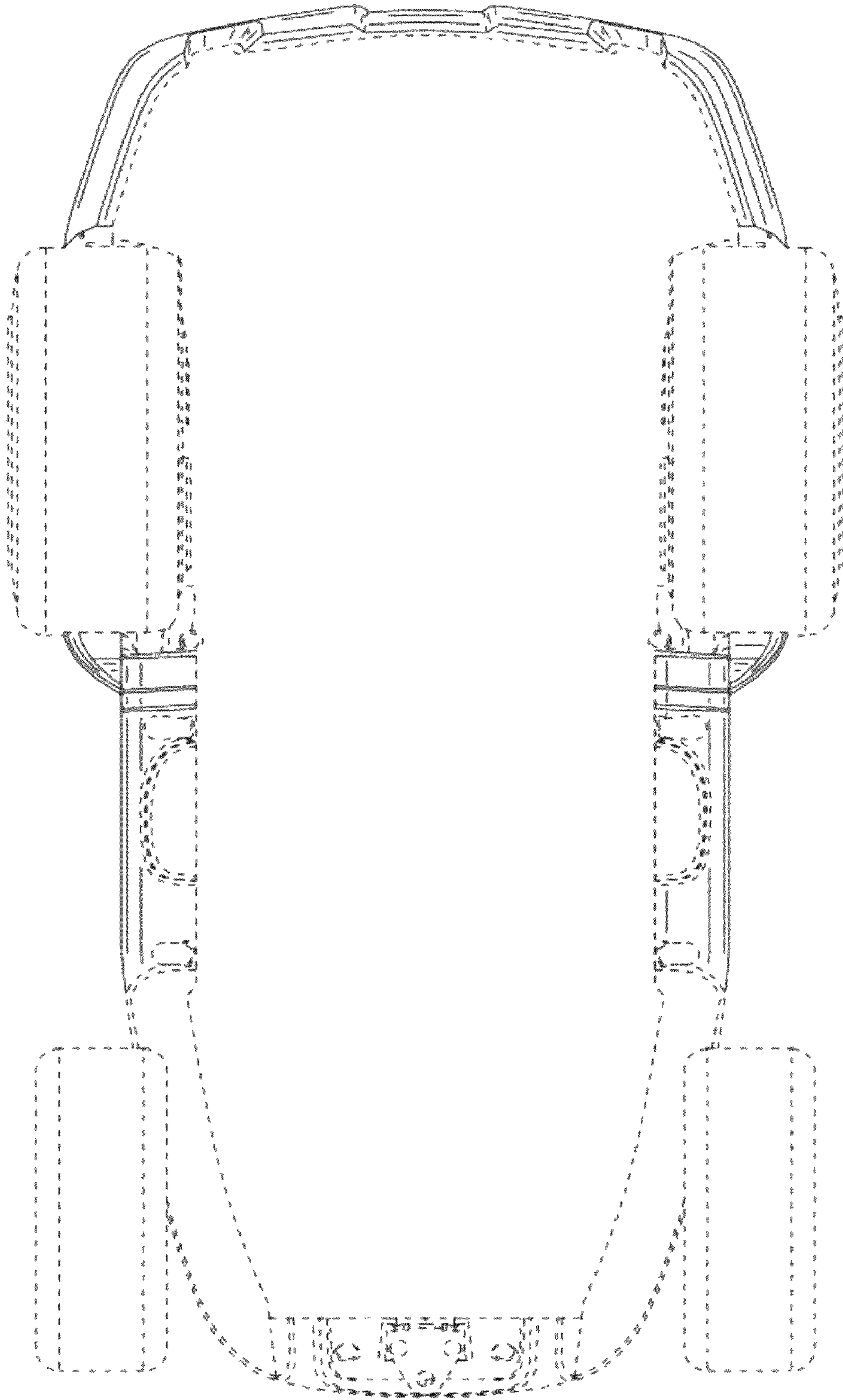


FIG. 7