



US00D654509S

(12) **United States Design Patent**  
**Baetica**

(10) **Patent No.:** **US D654,509 S**

(45) **Date of Patent:** **\*\* Feb. 21, 2012**

(54) **TILLER**

(75) Inventor: **Florin Baetica**, Brockville (CA)

(73) Assignee: **Black & Decker Inc.**, Newark, DE (US)

(\*\*) Term: **14 Years**

(21) Appl. No.: **29/402,148**

(22) Filed: **Sep. 21, 2011**

(51) **LOC (9) Cl.** ..... **15-03**

(52) **U.S. Cl.** ..... **D15/12**

(58) **Field of Classification Search** ..... D15/10-12;  
172/41-44, 74, 260, 256, 250, 48, 72, 351,  
172/365, 329, 57, 518; 180/53.1; 56/16.7

See application file for complete search history.

(56) **References Cited**

U.S. PATENT DOCUMENTS

D231,005	S	*	3/1974	Noma et al.	.....	D15/12
D249,518	S	*	9/1978	Cognata et al.	.....	D15/12
4,640,366	A	*	2/1987	Saito	.....	172/42
5,573,069	A	*	11/1996	Shiple	.....	172/42
D415,502	S	*	10/1999	Yoshida	.....	D15/12
D416,026	S	*	11/1999	Ohsumi et al.	.....	D15/12
D417,458	S	*	12/1999	Waibel	.....	D15/14
D449,052	S	*	10/2001	Ito et al.	.....	D15/12

D475,067	S	*	5/2003	Ito et al.	.....	D15/12
D486,502	S	*	2/2004	Yuzuriha et al.	.....	D15/12
6,766,866	B2	*	7/2004	Miyahara et al.	.....	172/41
6,904,977	B2	*	6/2005	Zerrer et al.	.....	172/42
D515,592	S	*	2/2006	Thackery	.....	D15/11
D523,026	S	*	6/2006	Vaughn	.....	D15/12
D540,827	S	*	4/2007	Notaras et al.	.....	D15/12
D567,822	S	*	4/2008	Martz	.....	D15/12
D613,772	S	*	4/2010	Azuma	.....	D15/12
2003/0159838	A1	*	8/2003	Miyahara et al.	.....	172/42
2004/0079538	A1	*	4/2004	Zerrer et al.	.....	172/42

\* cited by examiner

*Primary Examiner* — Mark Goodwin

(74) *Attorney, Agent, or Firm* — John Yun

(57) **CLAIM**

The ornamental design for a tiller, as shown and described.

**DESCRIPTION**

FIG. 1 is a perspective view of a tiller showing my new design;

FIG. 2 is a front view thereof

FIG. 3 is a rear side view thereof;

FIG. 4 is a right side view thereof;

FIG. 5 is a left side view thereof;

FIG. 6 is a top plan view thereof; and,

FIG. 7 is a bottom plan view thereof.

**1 Claim, 7 Drawing Sheets**





FIG. 1



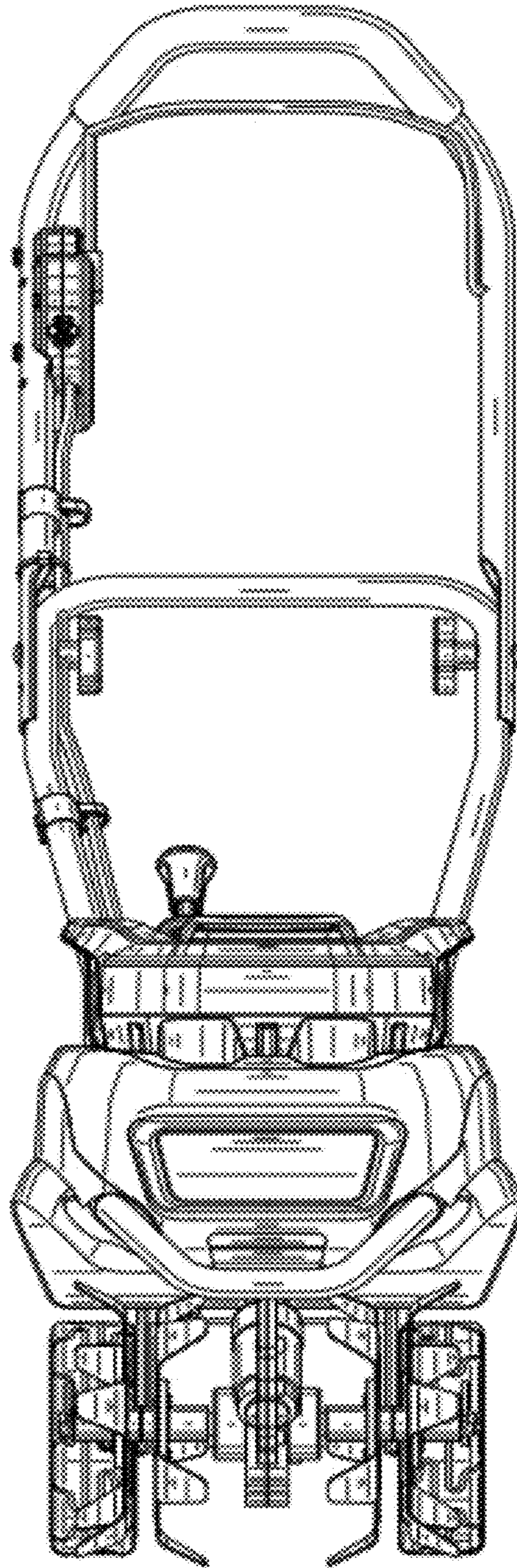


FIG. 2

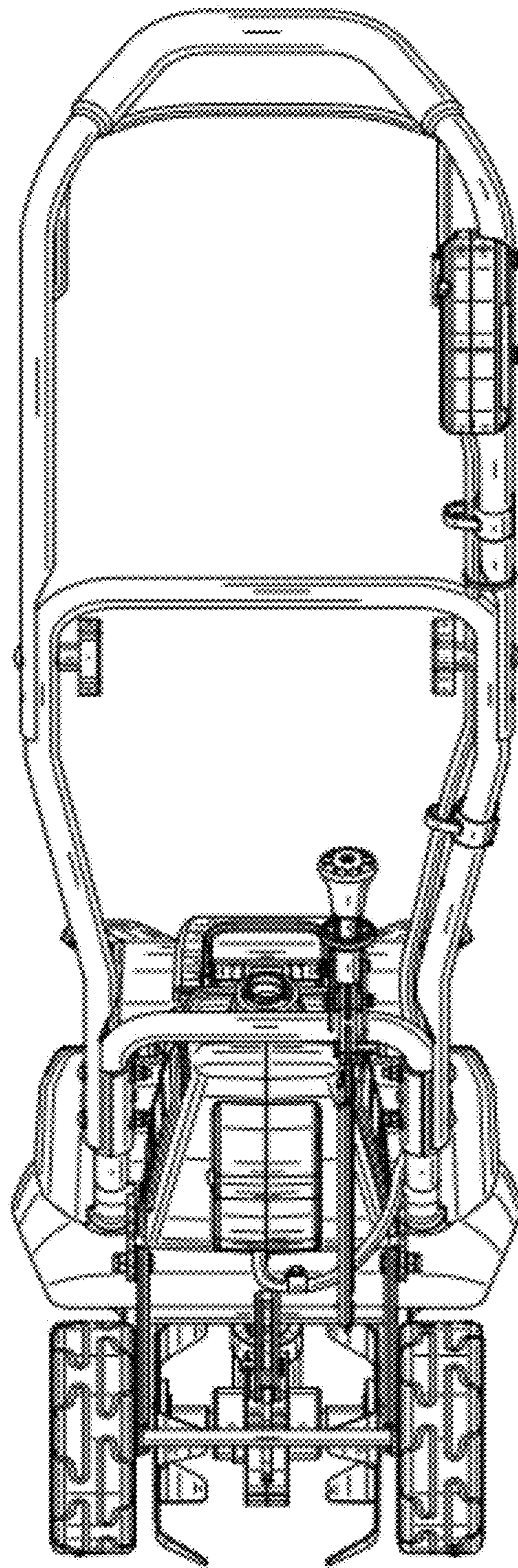


FIG. 3



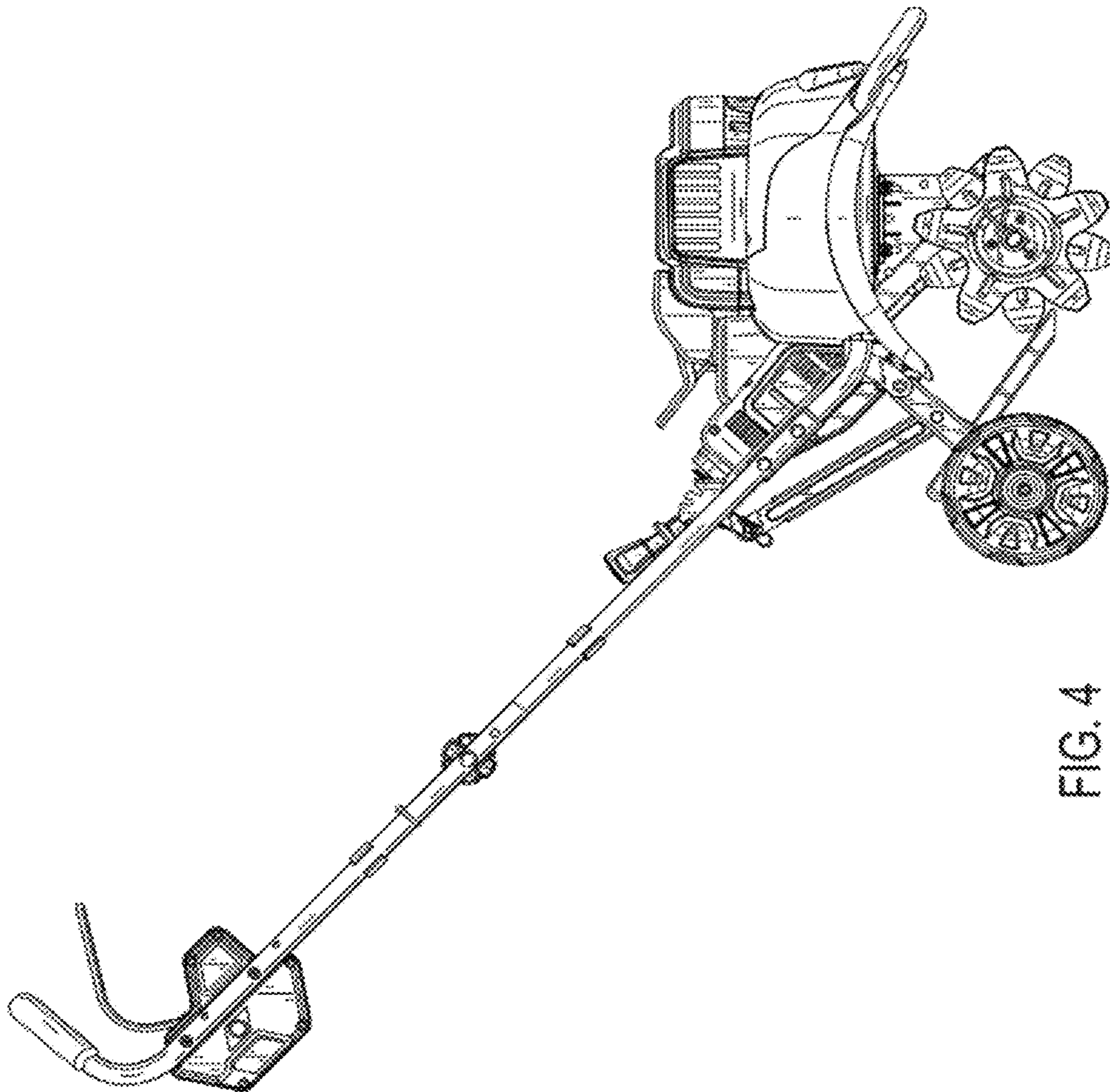


FIG. 4

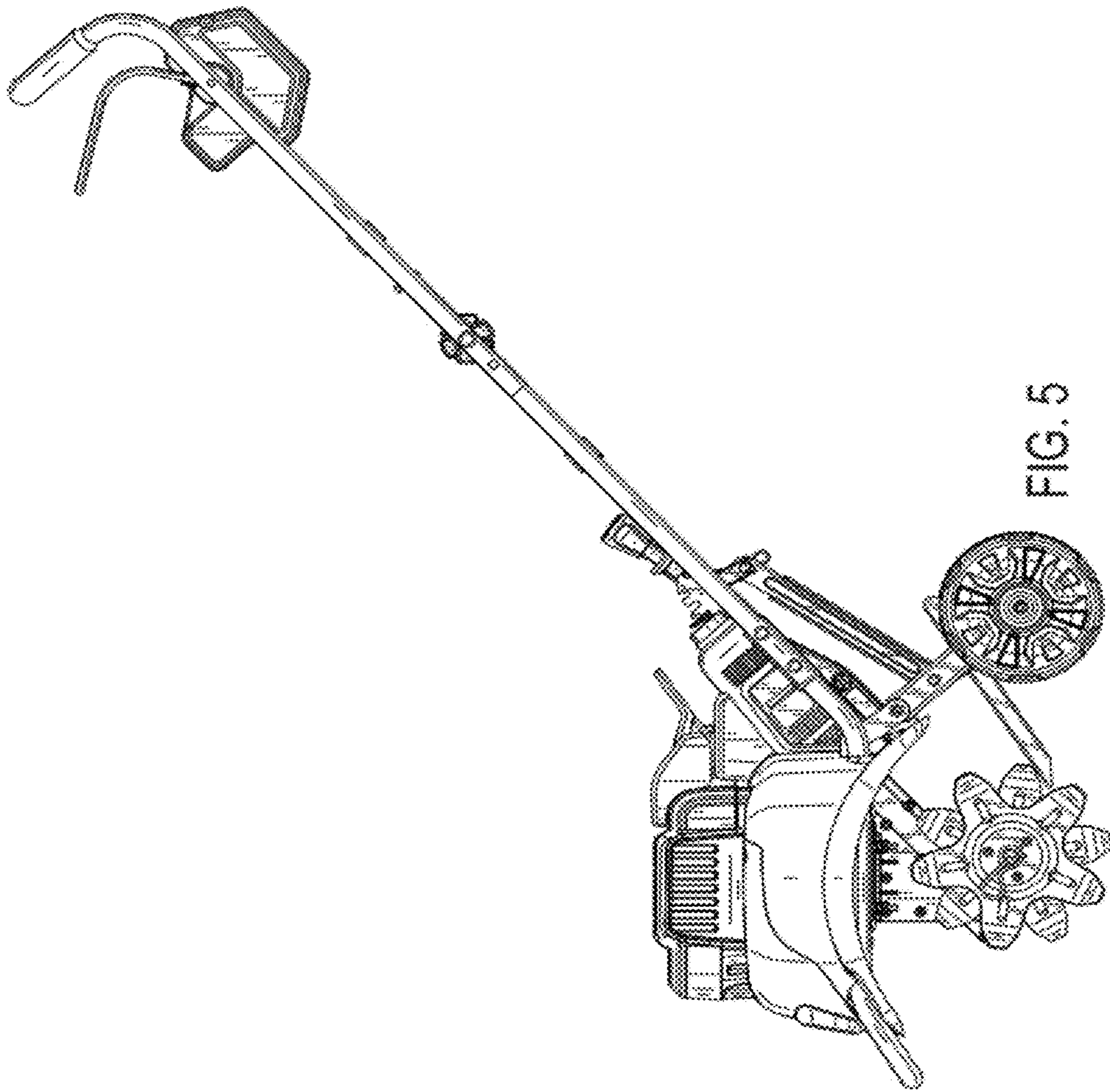


FIG. 5

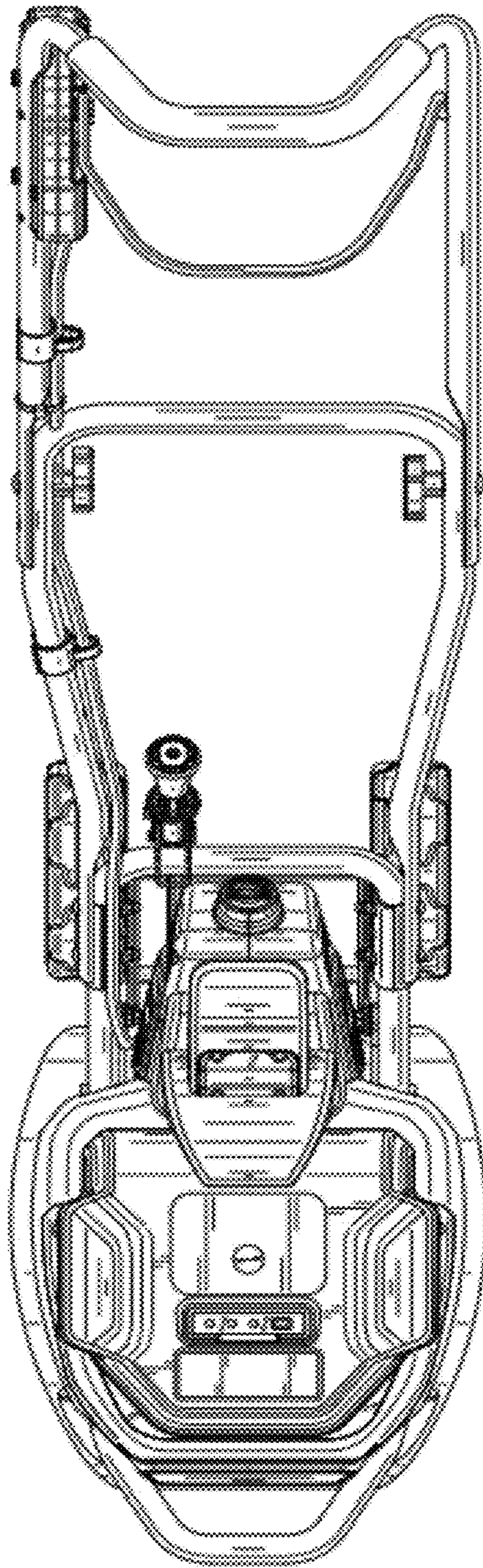


FIG. 6



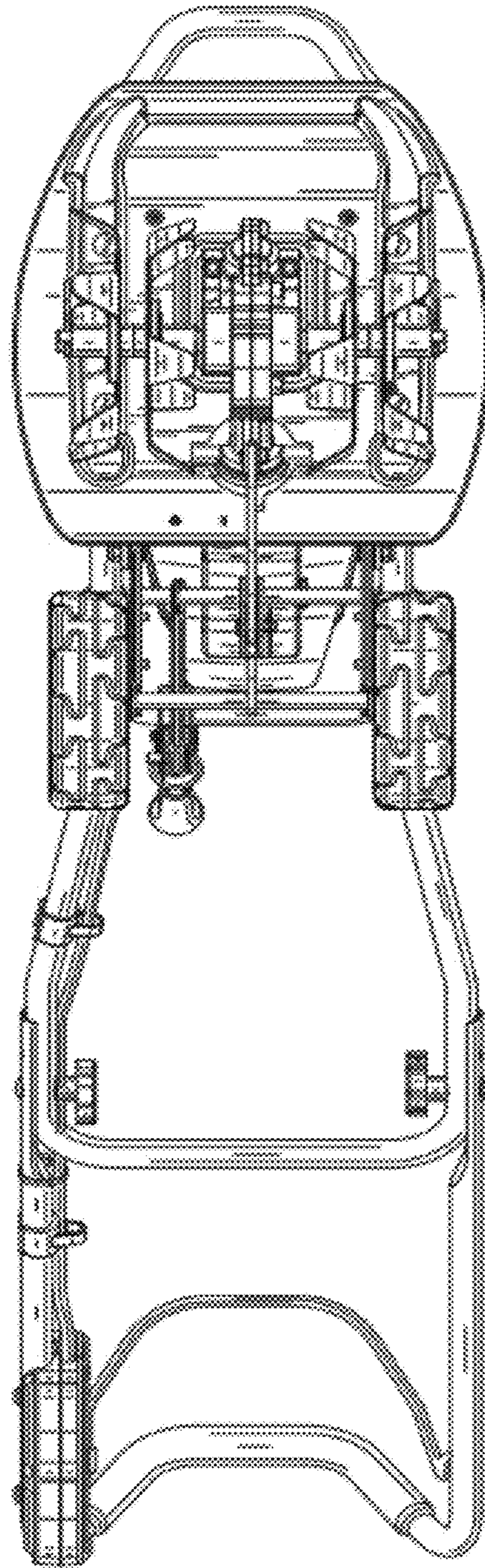


FIG. 7