



US00D654508S

(12) **United States Design Patent**
Foreman

(10) **Patent No.:** **US D654,508 S**
(45) **Date of Patent:** **** Feb. 21, 2012**

(54) **AIR DIFFUSER FOR A MECHANICALLY SEALED PUMP**

(75) Inventor: **Michael Christopher Foreman,**
Artarmon (AU)

(73) Assignee: **Weir Minerals Australia, Ltd. (AU)**

(**) Term: **14 Years**

(21) Appl. No.: **29/307,707**

(22) Filed: **May 6, 2008**

(30) **Foreign Application Priority Data**

Nov. 6, 2007 (AU) 20654/2007

(51) **LOC (9) Cl.** **15-02**

(52) **U.S. Cl.** **D15/7**

(58) **Field of Classification Search** D15/7-9;
D23/231, 232, 225; D13/128; 415/211.2,
415/111, 170.1, 110, 106, 198.1, 208.2; 417/410.1,
417/359, 415, 416, 234, 321, 265, 405
See application file for complete search history.

(56) **References Cited**

U.S. PATENT DOCUMENTS

4,527,947	A *	7/1985	Elliott	415/121.1
4,586,872	A *	5/1986	Corzilius et al.	415/214.1
D284,604	S *	7/1986	Mathis	D23/260
4,597,530	A *	7/1986	Goudy et al.	239/452
4,750,872	A *	6/1988	Palliser	417/423.11
5,076,757	A *	12/1991	Dorsch	415/110
5,133,638	A *	7/1992	Mosure	415/168.1
5,195,867	A *	3/1993	Stirling	415/111
5,489,187	A *	2/1996	Ray	415/111
6,074,166	A *	6/2000	Moddemeijer	415/109
6,074,554	A *	6/2000	Ray et al.	210/194
6,280,139	B1 *	8/2001	Romani et al.	415/207
D570,374	S *	6/2008	Hideki et al.	D15/7

D570,375	S *	6/2008	Hideki et al.	D15/7
D582,437	S *	12/2008	Shimomura et al.	D15/7
D582,438	S *	12/2008	Shimomura et al.	D15/7
D582,439	S *	12/2008	Shimomura et al.	D15/7
D582,440	S *	12/2008	Shimomura et al.	D15/7
7,607,884	B2 *	10/2009	Cohen	415/121.1
D603,878	S *	11/2009	Chu	D15/9
D608,677	S *	1/2010	Glaves et al.	D15/7
D609,249	S *	2/2010	Foreman et al.	D15/7
D614,524	S *	4/2010	McAlpine et al.	D15/7
D631,065	S *	1/2011	Burgess et al.	D15/9
D631,066	S *	1/2011	Itadani et al.	D15/9
2005/0141988	A1 *	6/2005	Hustvedt et al.	415/1
2006/0280631	A1	12/2006	Tsai et al.	

FOREIGN PATENT DOCUMENTS

DE	3412-774	A	10/1985
DE	3914-652	A	11/1990
JP	2005021806	A	1/2005
WO	WO 2006/116792	A1	11/2006

* cited by examiner

Primary Examiner — Mark Goodwin

(74) *Attorney, Agent, or Firm* — Morris O'Bryant Compagni

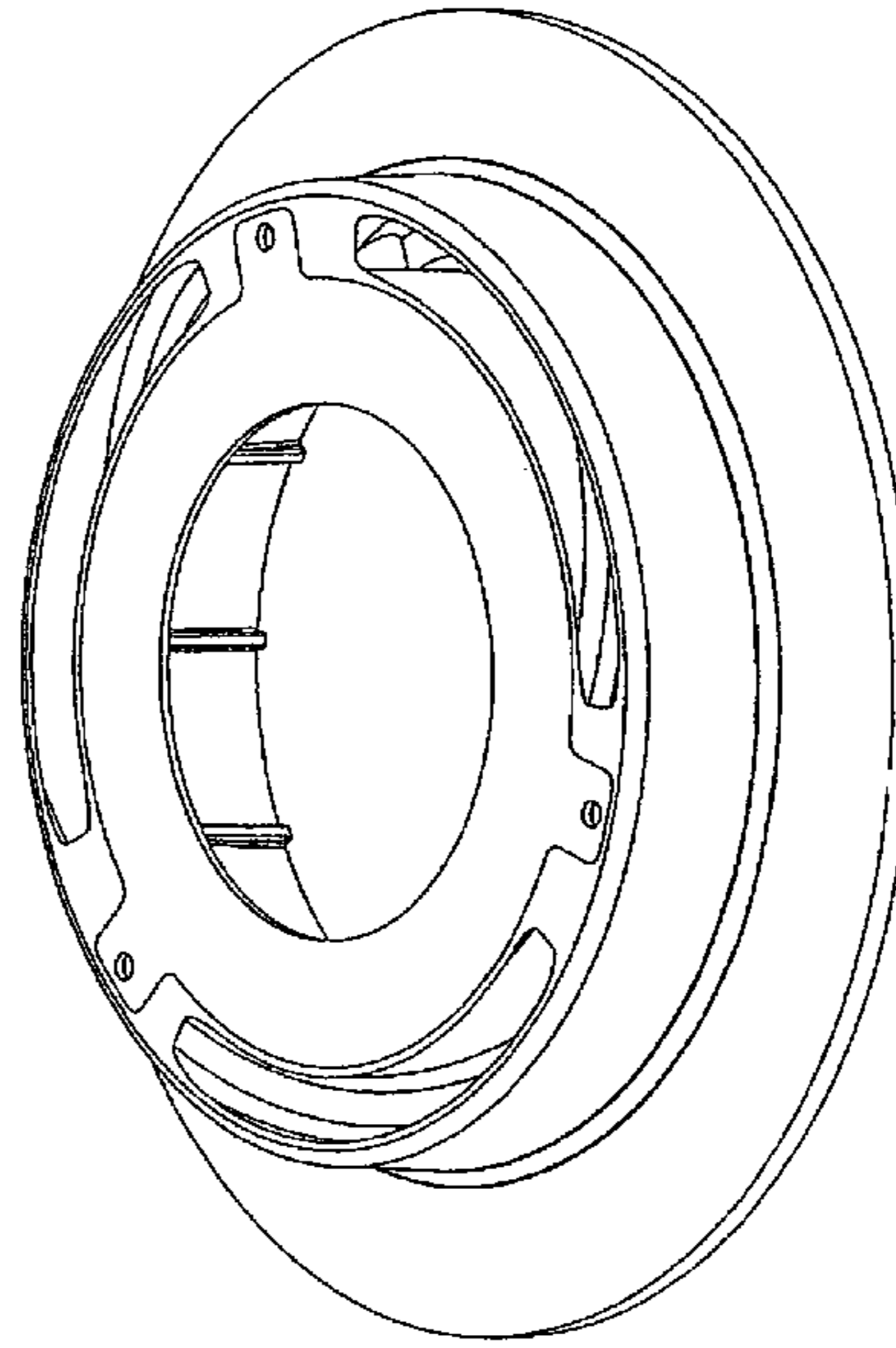
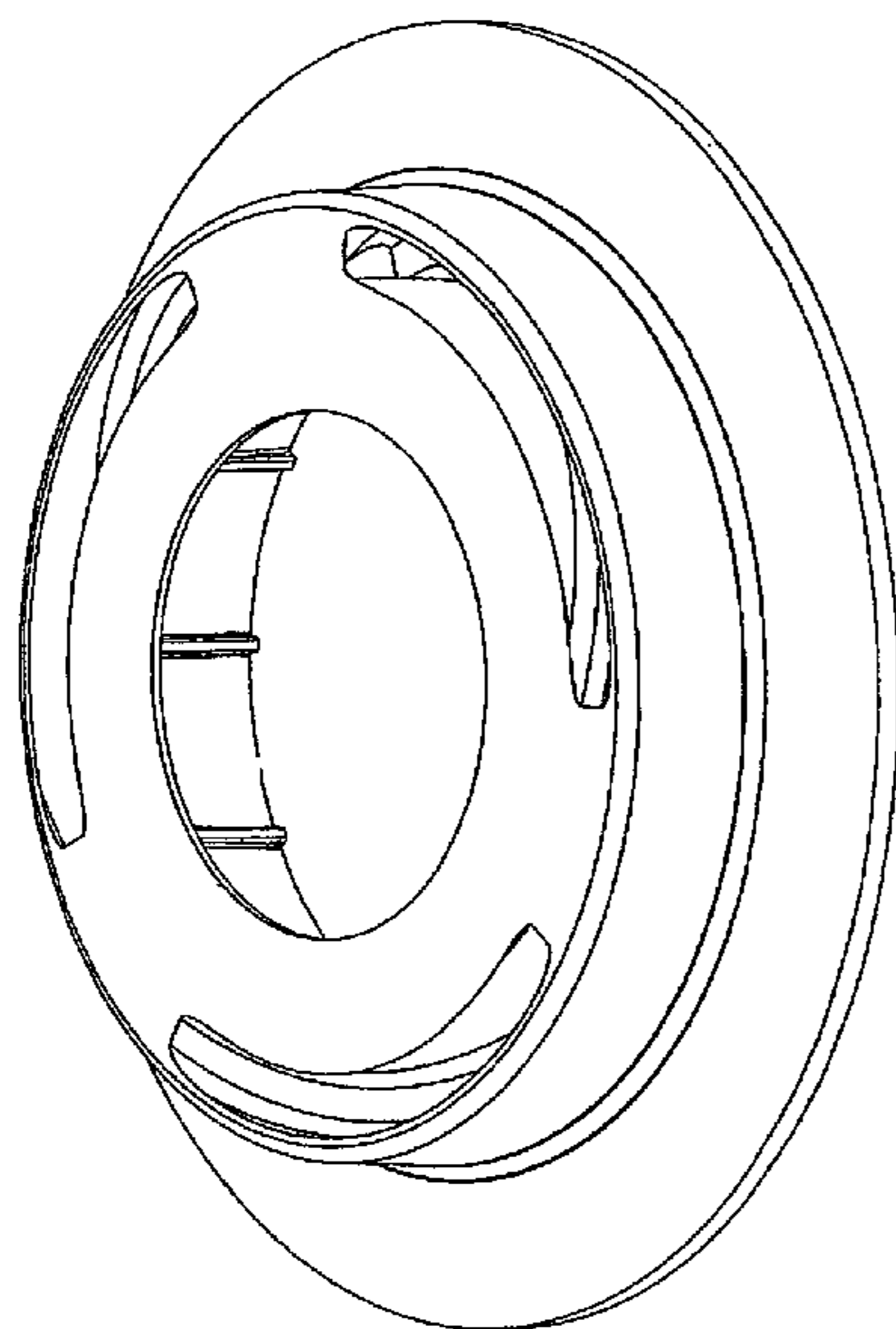
(57) **CLAIM**

The ornamental design for an air diffuser for a mechanically sealed pump, as shown and described.

DESCRIPTION

FIG. 1 is a rear perspective view of an air diffuser for a mechanically sealed pump showing my new design; FIG. 2 is a rear elevation view thereof; FIG. 3 is a side elevation view thereof; FIG. 4 is a front perspective view thereof; FIG. 5 is a front elevation view thereof; and, FIG. 6 is a rear perspective view of a second embodiment of an air diffuser for a mechanically sealed pump showing my new design, the remaining views being the same as FIGS. 3-5.

1 Claim, 6 Drawing Sheets



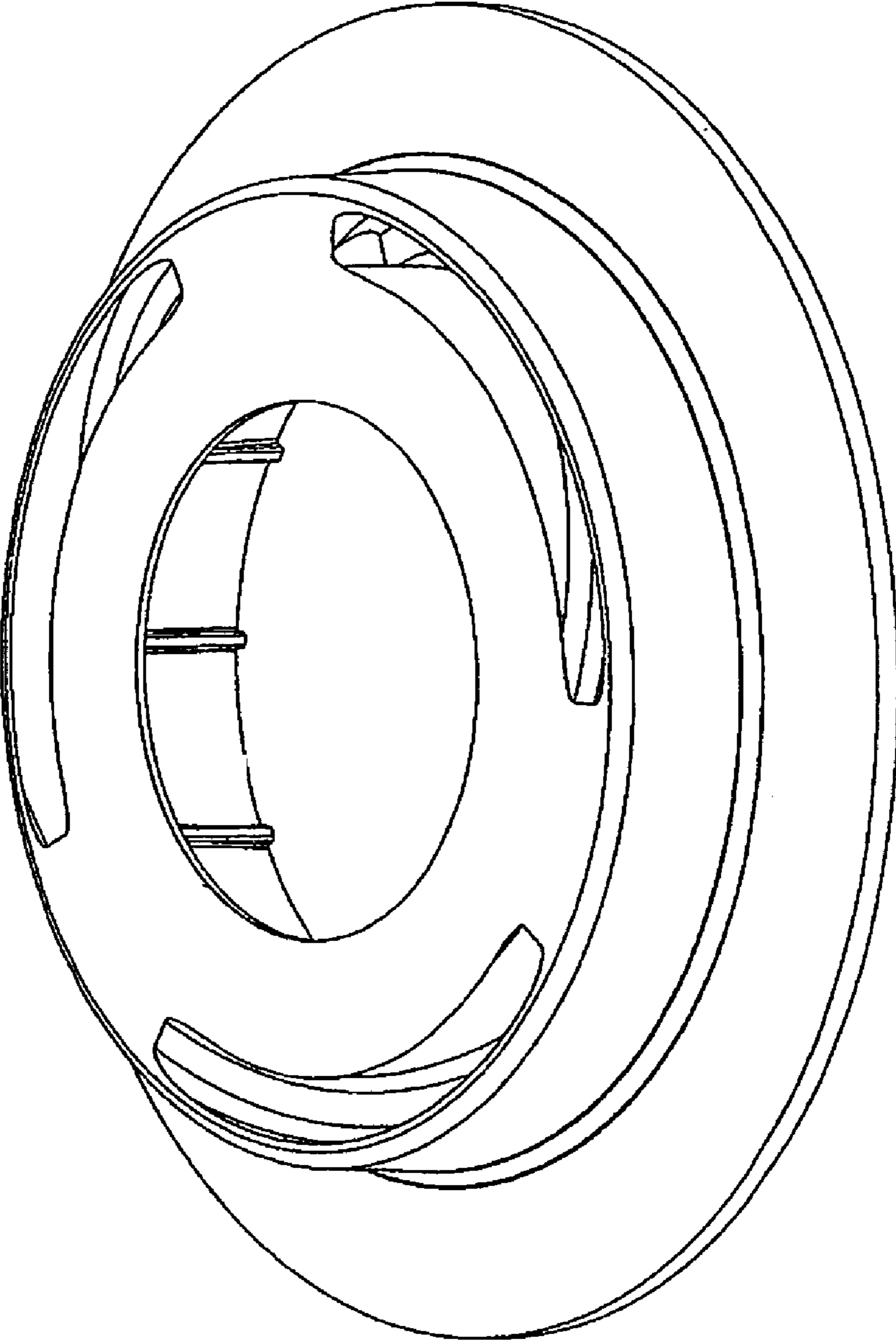


FIG. 1

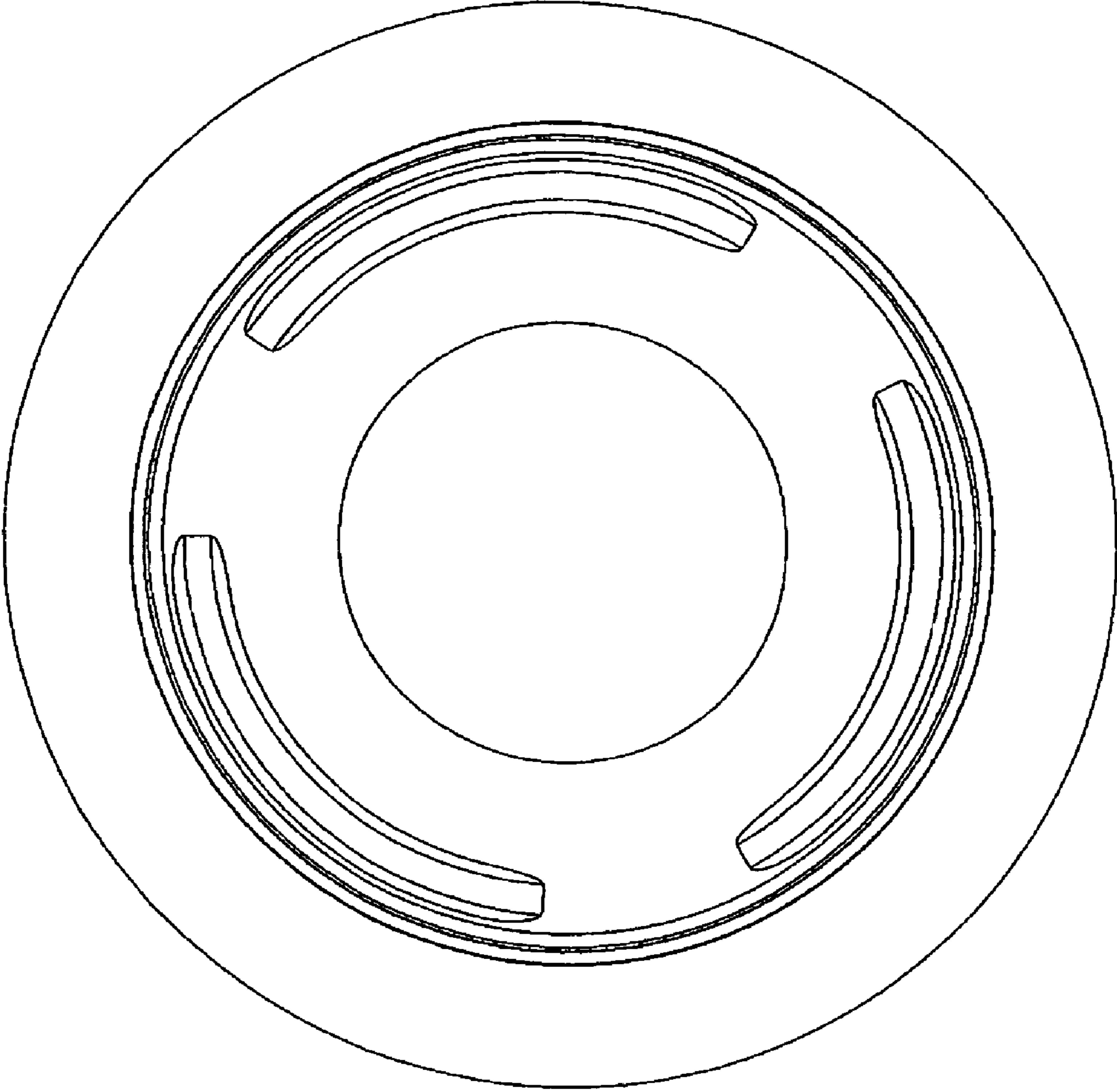


FIG. 2

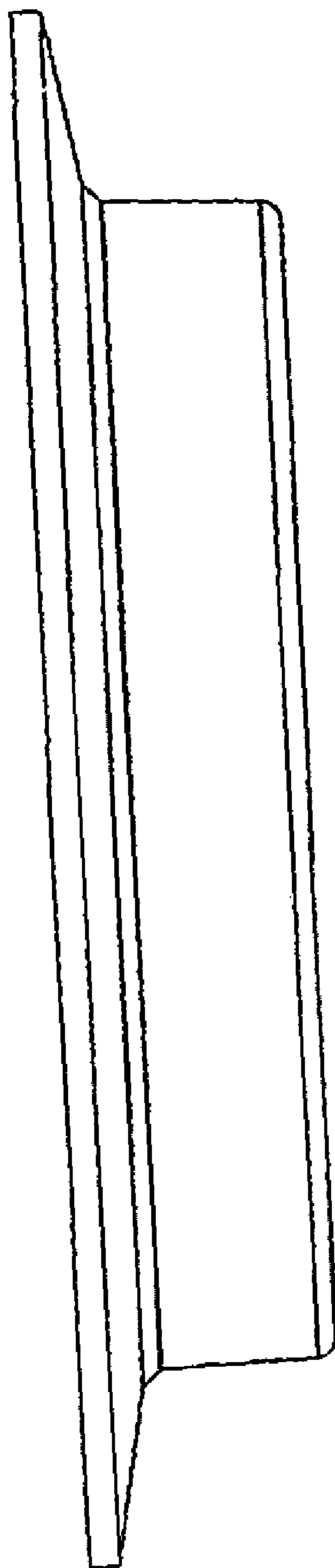


FIG. 3

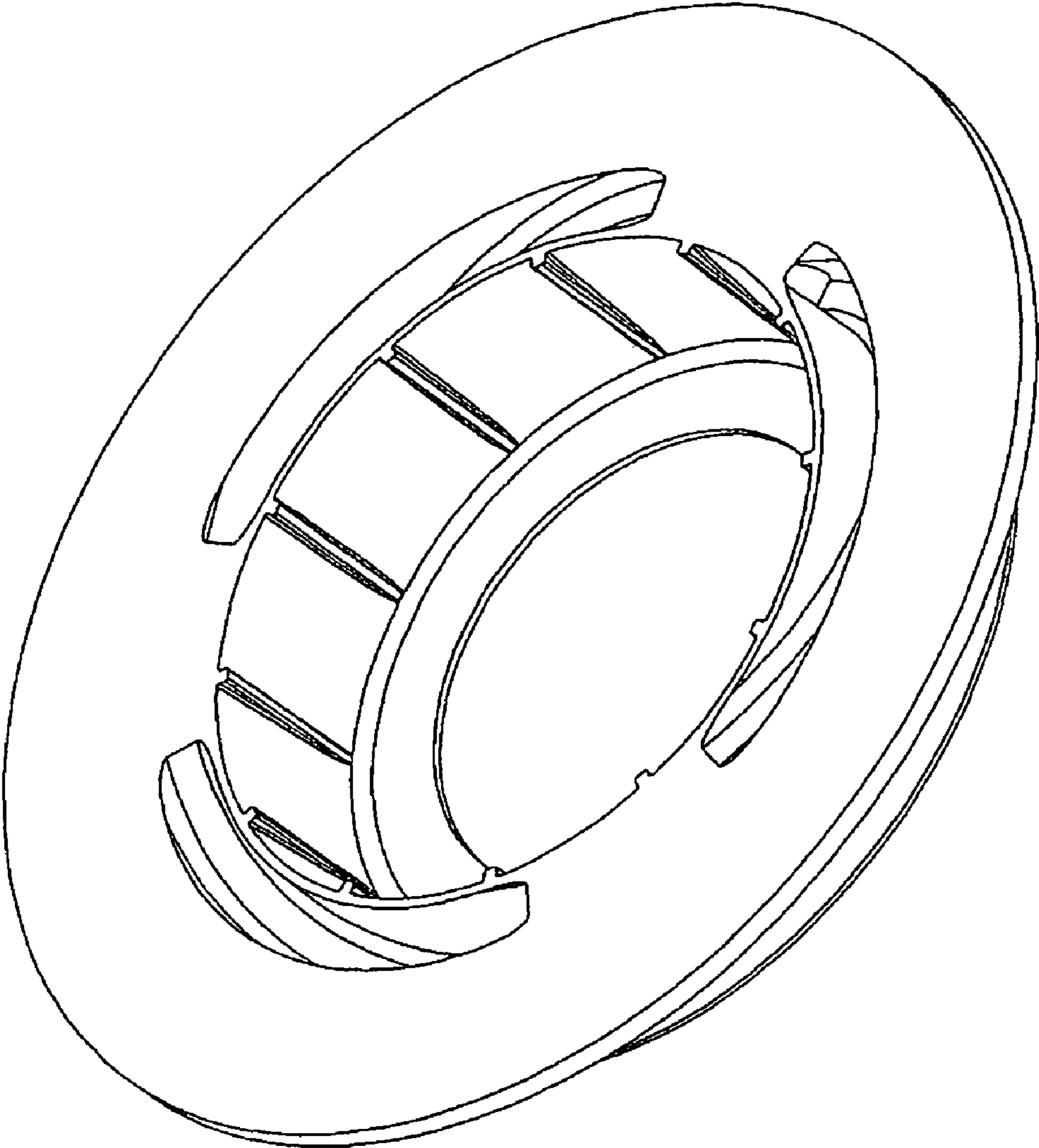


FIG. 4

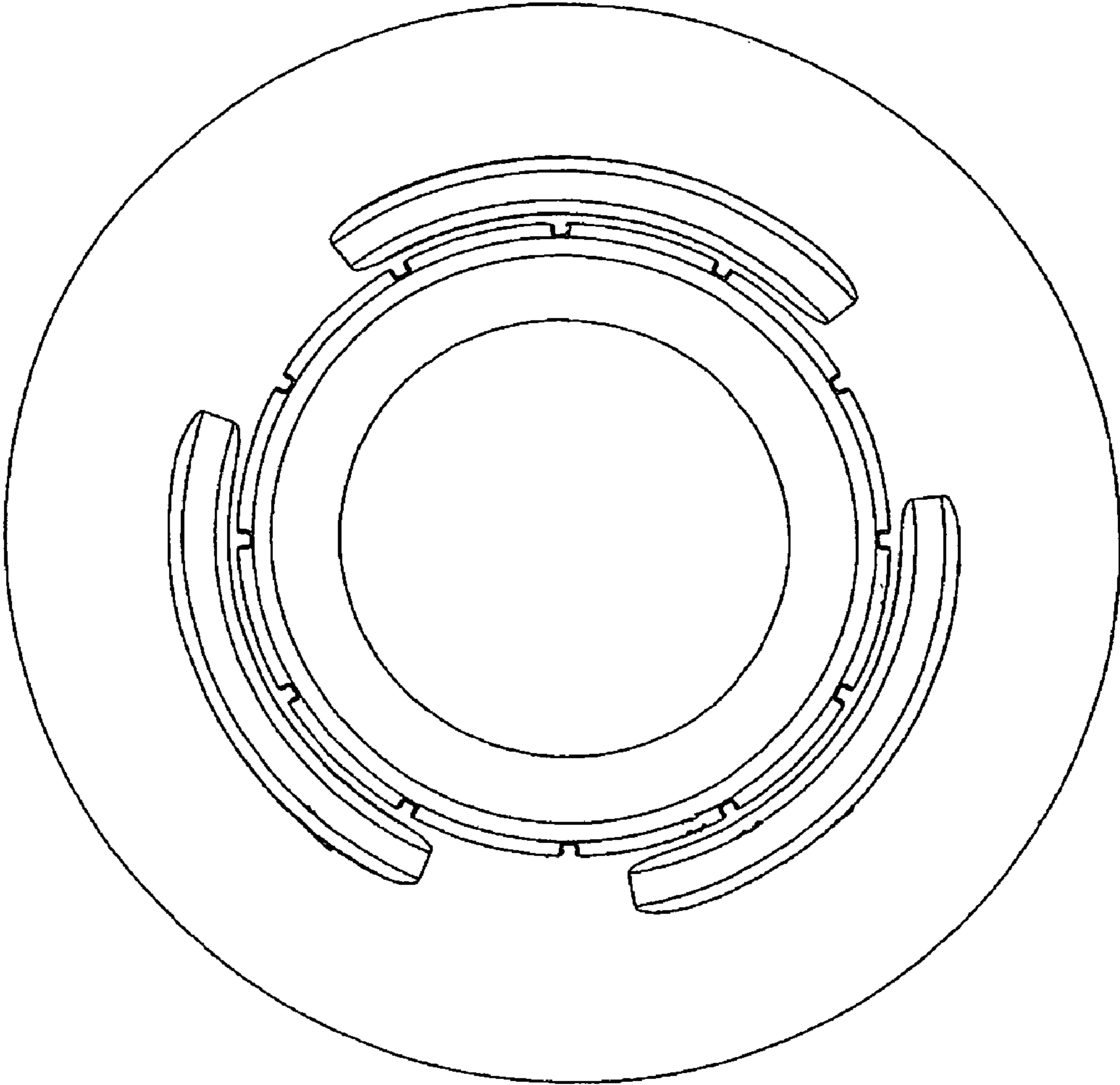


FIG. 5

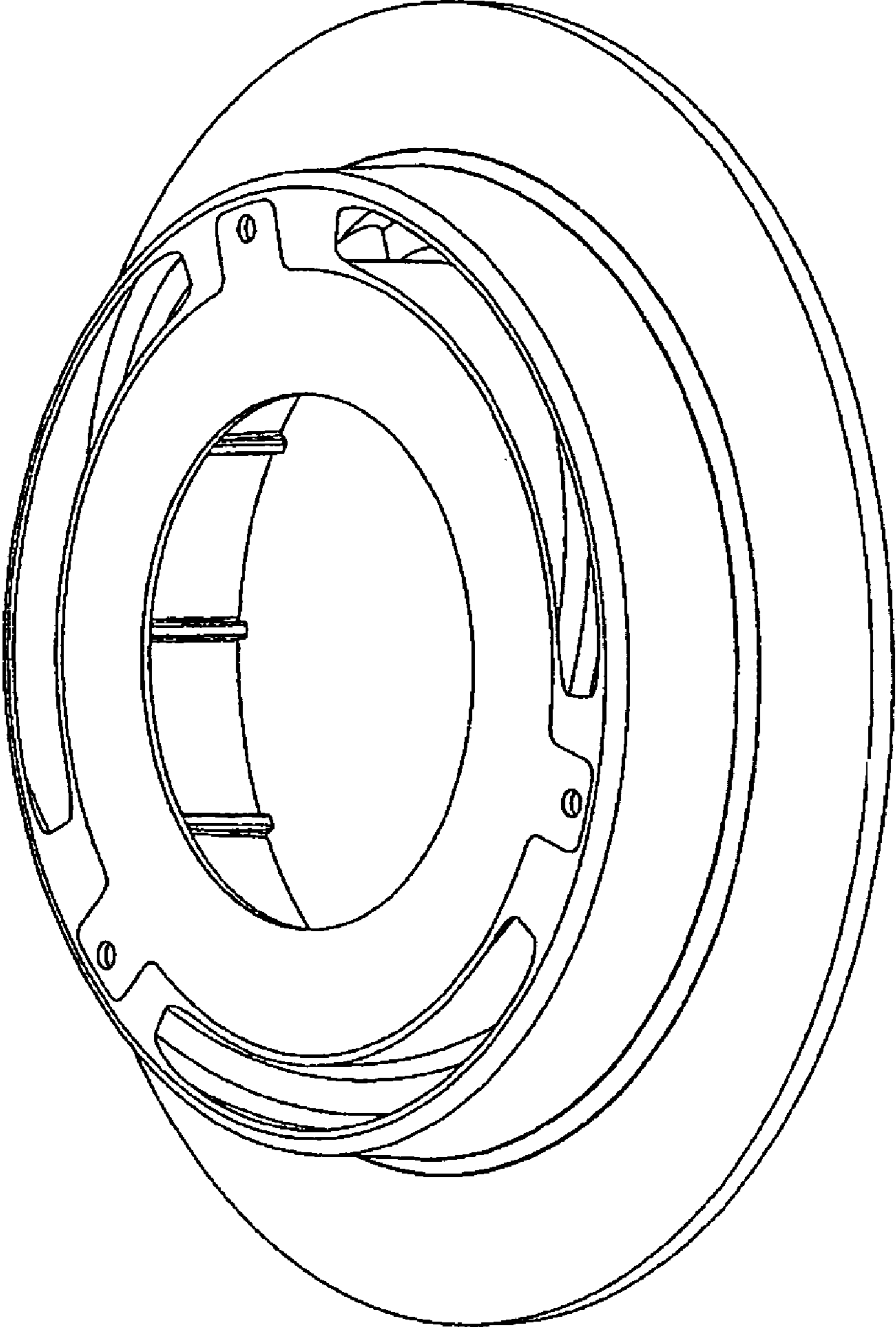


FIG. 6