



US00D654506S

(12) **United States Design Patent**
Akana et al.

(10) **Patent No.:** **US D654,506 S**

(45) **Date of Patent:** **** *Feb. 21, 2012**

(54) **ELECTRONIC DEVICE**

(75) Inventors: **Jody Akana**, San Francisco, CA (US); **Bartley K. Andre**, Menlo Park, CA (US); **Jeremy Bataillou**, San Francisco, CA (US); **Daniel J. Coster**, San Francisco, CA (US); **Daniele De Iuliis**, San Francisco, CA (US); **Evans Hankey**, San Francisco, CA (US); **Richard P. Howarth**, San Francisco, CA (US); **Jonathan P. Ive**, San Francisco, CA (US); **Duncan Robert Kerr**, San Francisco, CA (US); **Shin Nishibori**, Portola Valley, CA (US); **Matthew Dean Rohrbach**, San Francisco, CA (US); **Peter Russell-Clarke**, San Francisco, CA (US); **Christopher J. Stringer**, Woodside, CA (US); **Eugene Antony Whang**, San Francisco, CA (US); **Rico Zorkendorfer**, San Francisco, CA (US)

(73) Assignee: **Apple Inc.**, Cupertino, CA (US)

(*) Notice: This patent is subject to a terminal disclaimer.

(**) Term: **14 Years**

(21) Appl. No.: **29/391,989**

(22) Filed: **May 16, 2011**

Related U.S. Application Data

(63) Continuation of application No. 29/367,996, filed on Aug. 16, 2010, now Pat. No. Des. 638,030.

(51) **LOC (9) Cl.** **14-03**

(52) **U.S. Cl.** **D14/496**

(58) **Field of Classification Search** D14/496, D14/401, 435, 474, 483, 217, 137, 138, 160, D14/168, 356, 203.1-203.8, 507; 345/156, 345/169, 173-179, 905; 715/727-729, 864; 710/1, 5, 8; 713/1, 600; 455/1.1, 1.7, 73, 455/344-347, 93, 95, 3.01-3.06, 550.1, 573.1; 370/342-344; 369/1, 2, 6-12; 463/43-47; 273/148 B

See application file for complete search history.

(56) **References Cited**

U.S. PATENT DOCUMENTS

D141,980 S	8/1945	Holland et al.	
5,128,829 A *	7/1992	Loew	361/679.3
D345,304 S	3/1994	Leader	
5,808,862 A	9/1998	Robbins	
D408,794 S	4/1999	Ogasawara	
6,122,526 A *	9/2000	Parulski et al.	455/556.1
D441,735 S	5/2001	Katayama	
6,354,477 B1 *	3/2002	Trummer	224/575

(Continued)

OTHER PUBLICATIONS

Wilson, M., "Is This the Next iPod Shuffle?", Gizmodo, accessed at <<http://gizmodo.com/5583144/is-this-the-next-ipod-shuffle>>, retrieved Dec. 17, 2010, 2 pages.

Primary Examiner — Prabhakar Deshmukh

(74) *Attorney, Agent, or Firm* — Sterne, Kessler, Goldstein & Fox PLLC

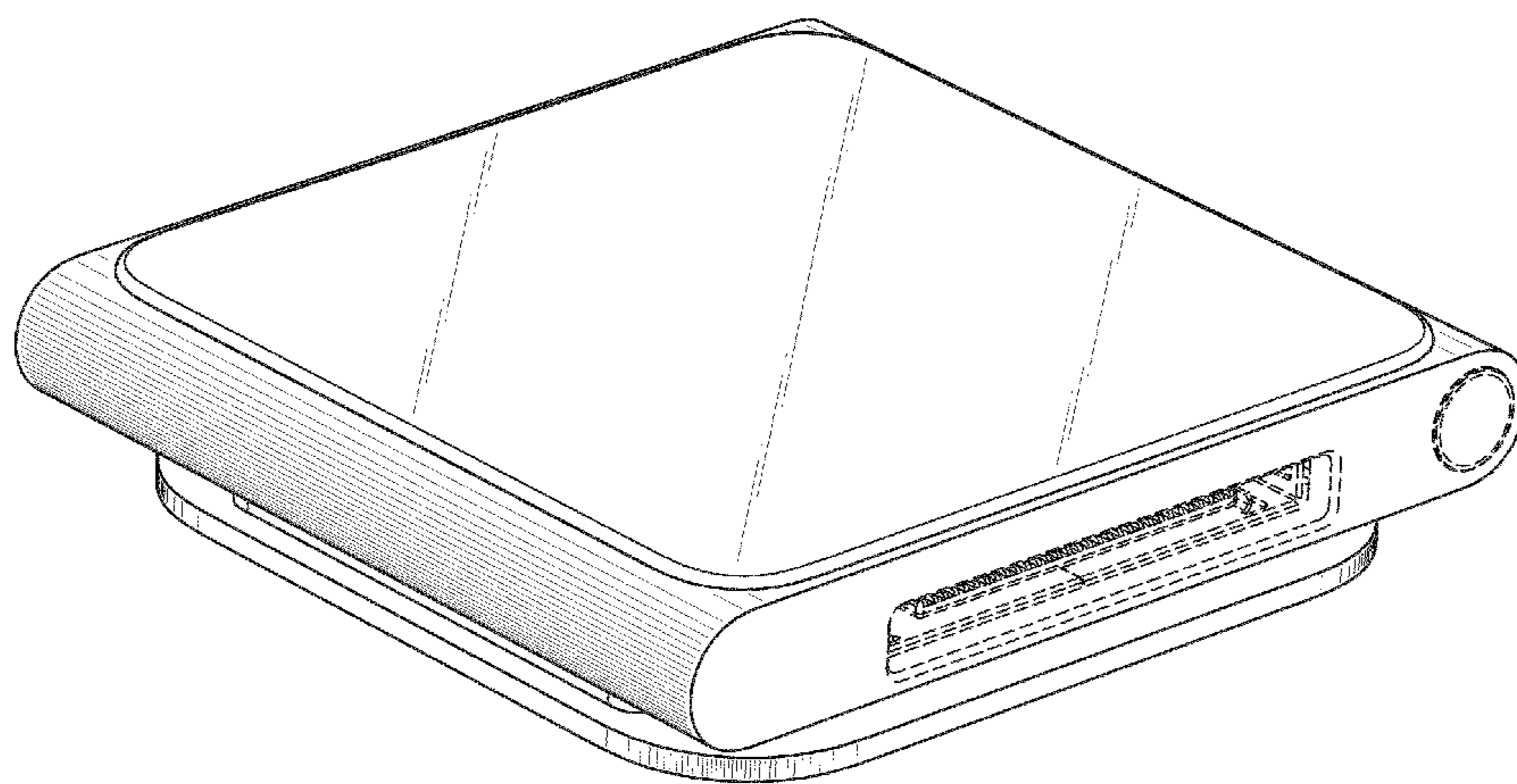
(57) **CLAIM**

The ornamental design for an electronic device, as shown and described.

DESCRIPTION

FIG. 1 is a front bottom perspective view of an electronic device showing our new design; FIG. 2 is a rear bottom perspective view thereof; FIG. 3 is a rear top perspective view thereof; FIG. 4 is a front top perspective view thereof; FIG. 5 is a front view thereof; FIG. 6 is a rear view thereof; FIG. 7 is a bottom view thereof; FIG. 8 is a top view thereof; FIG. 9 is a side view thereof; and, FIG. 10 is another side view thereof. The shade lines in the Figures show contour or transparency and not surface ornamentation. The broken lines in the Figures show portions of the electronic device which form no part of the claimed design.

1 Claim, 8 Drawing Sheets



US D654,506 S

Page 2

U.S. PATENT DOCUMENTS

D459,339 S	6/2002	Tong	
6,567,011 B1 *	5/2003	Young et al.	340/12.28
6,595,860 B1 *	7/2003	Yamamoto et al.	463/43
D478,076 S *	8/2003	Hong	D14/345
D488,472 S	4/2004	Haase et al.	
D490,796 S	6/2004	Allen	
D517,065 S	3/2006	Ko et al.	
D521,460 S	5/2006	Shimizu	
D546,202 S	7/2007	Chang	
D555,171 S *	11/2007	Dai	D14/496
D556,193 S	11/2007	Laituri et al.	
D559,860 S	1/2008	Andre et al.	
D559,861 S	1/2008	Andre et al.	
D560,228 S	1/2008	Andre et al.	
D563,434 S *	3/2008	Dai	D14/496
D569,389 S	5/2008	Andre et al.	
D588,610 S	3/2009	Andre et al.	
D589,530 S	3/2009	Andre et al.	
D590,826 S *	4/2009	Andre et al.	D14/341
D601,172 S	9/2009	Andre et al.	
D616,899 S	6/2010	Andre et al.	
D627,367 S	11/2010	Andre et al.	
D638,030 S	5/2011	Akana et al.	
D638,854 S	5/2011	Andre et al.	

* cited by examiner

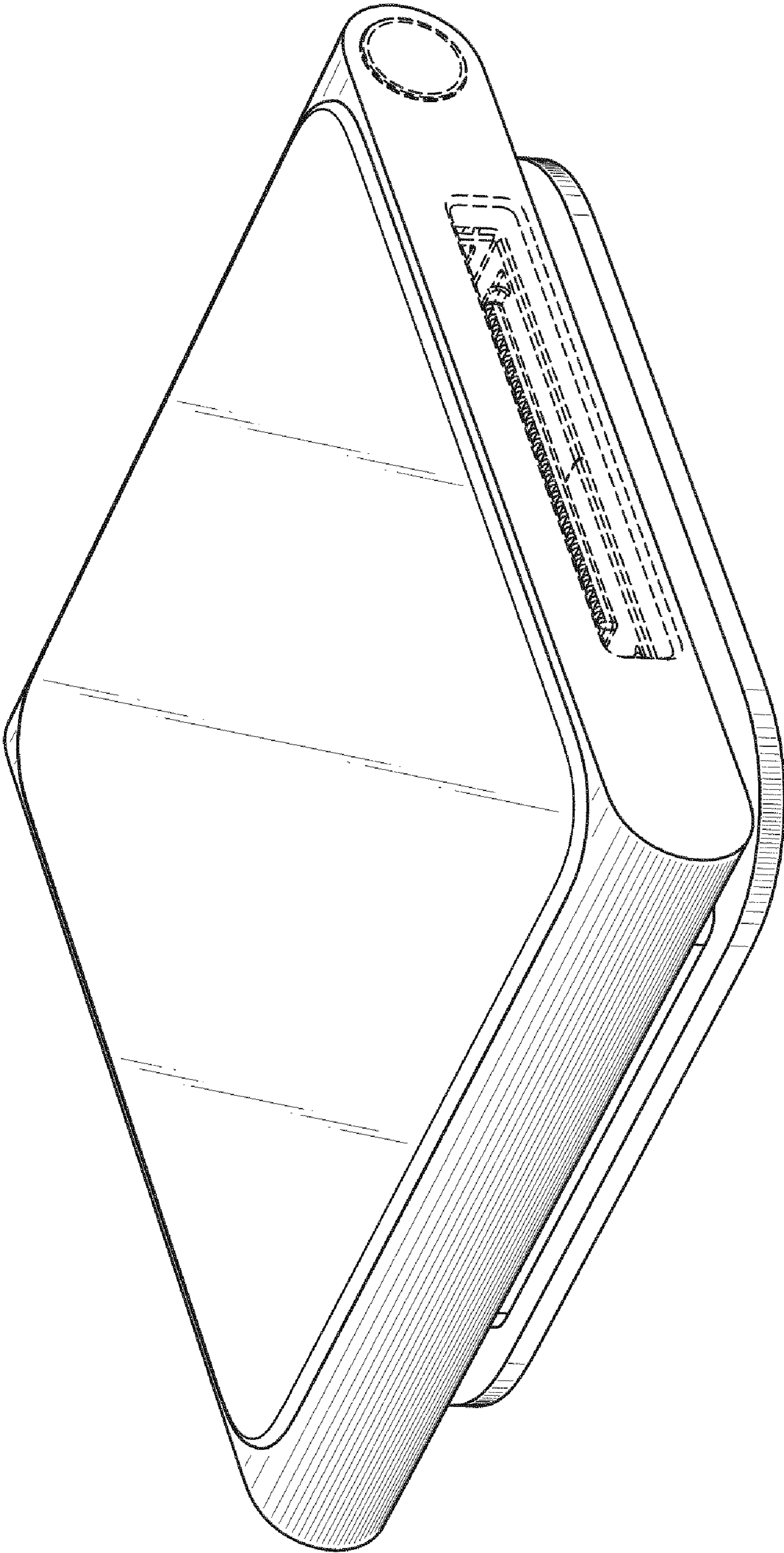


FIG. 1

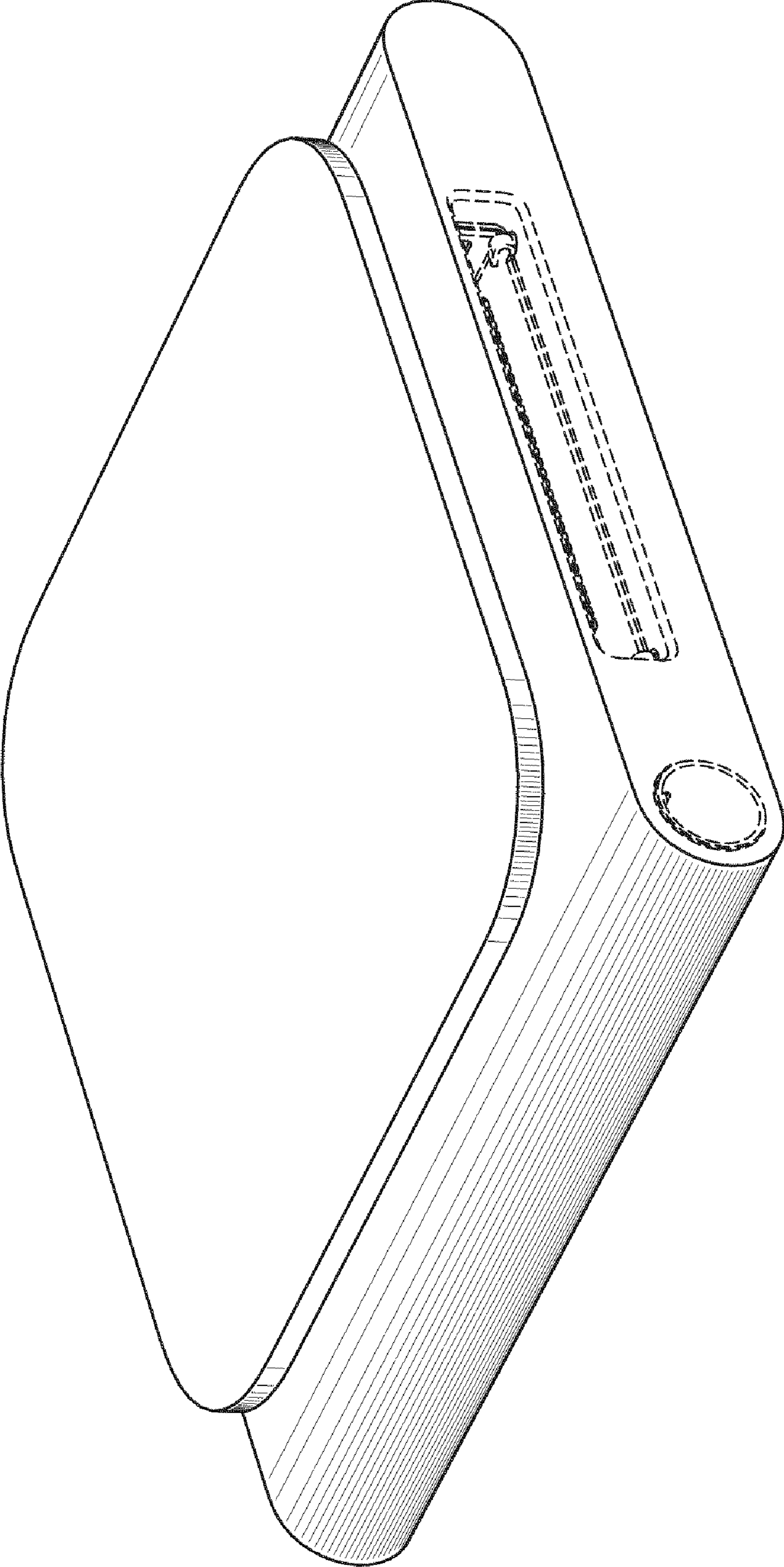


FIG. 2

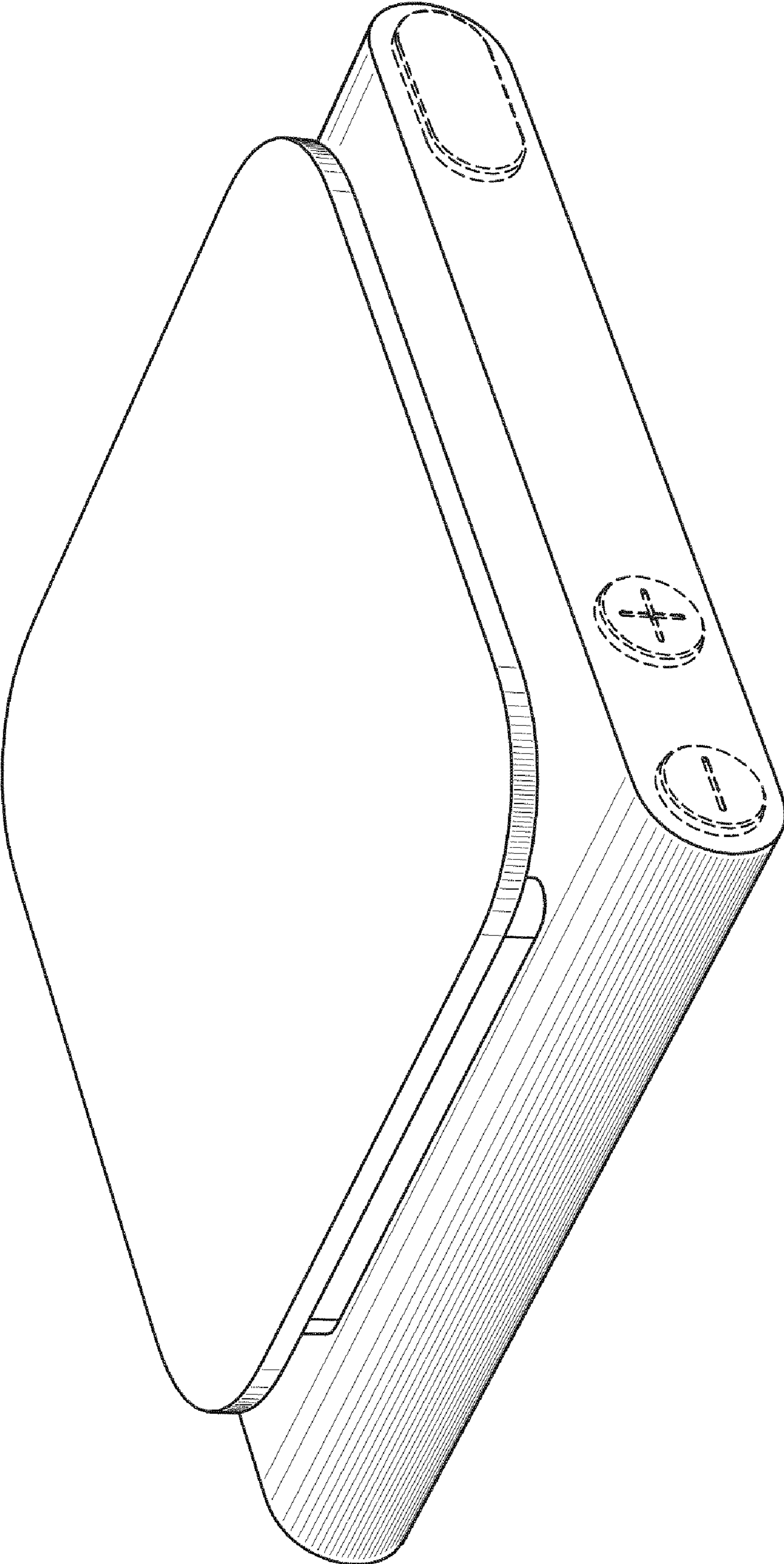


FIG. 3

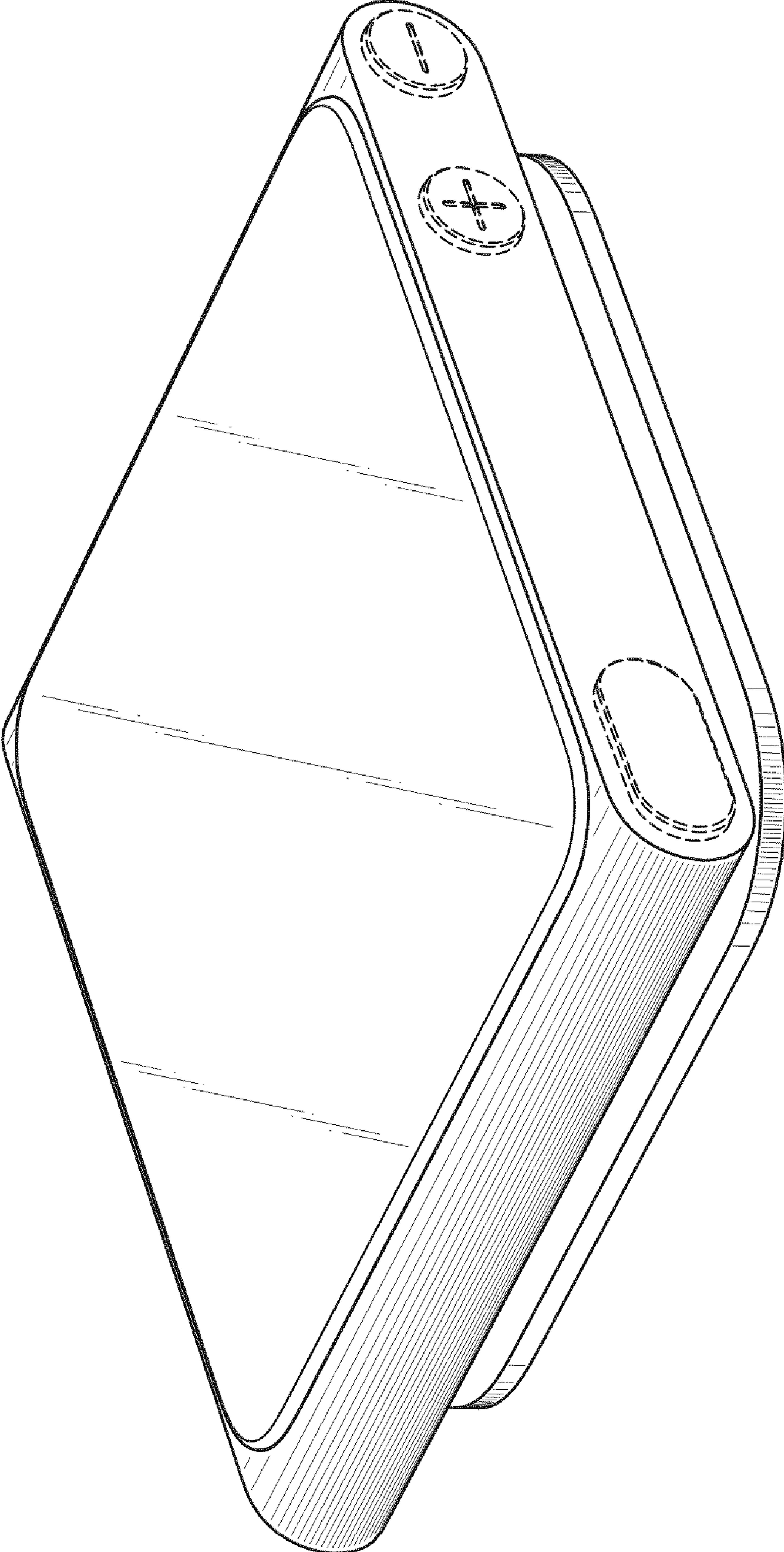


FIG. 4

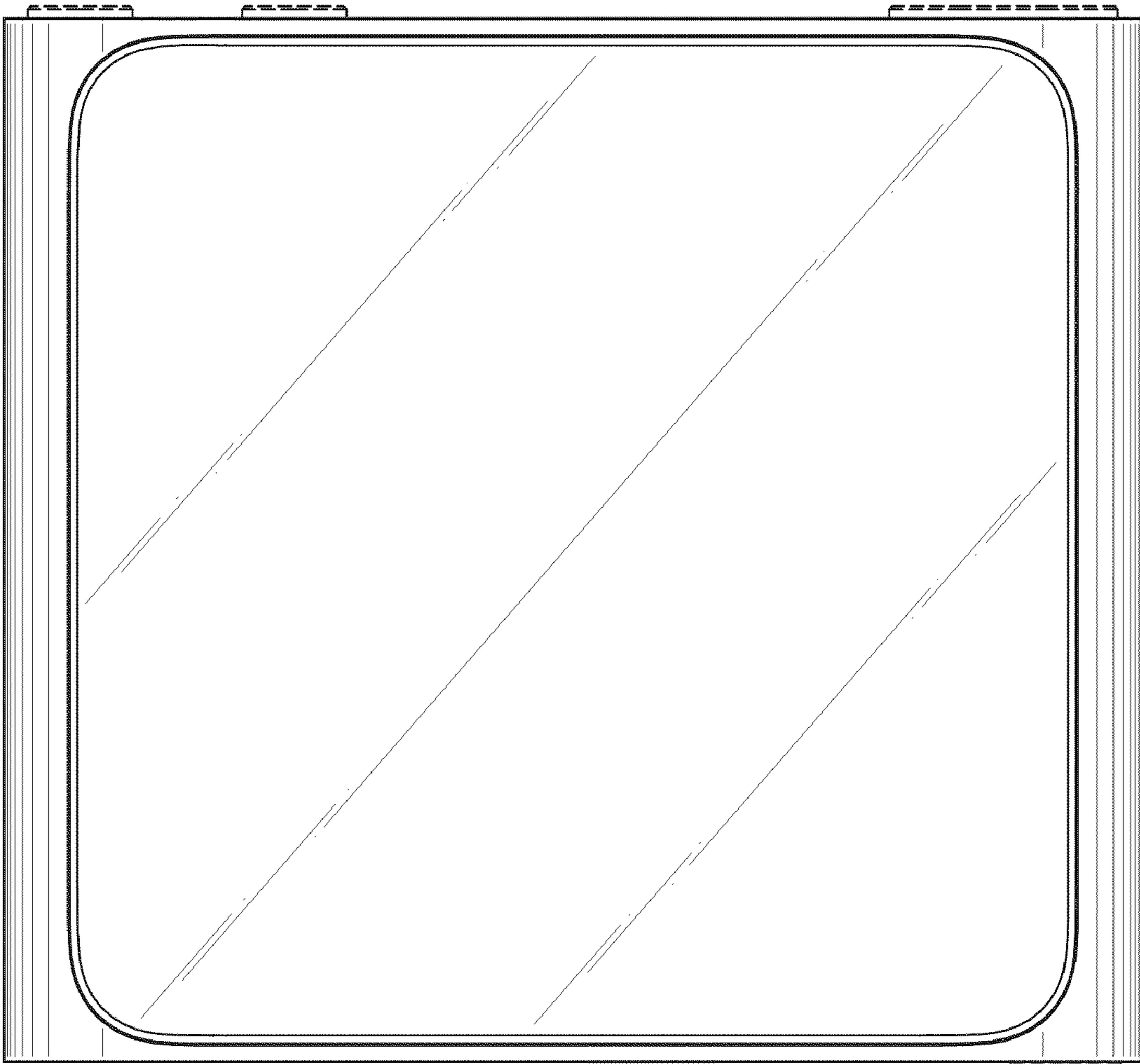


FIG. 5

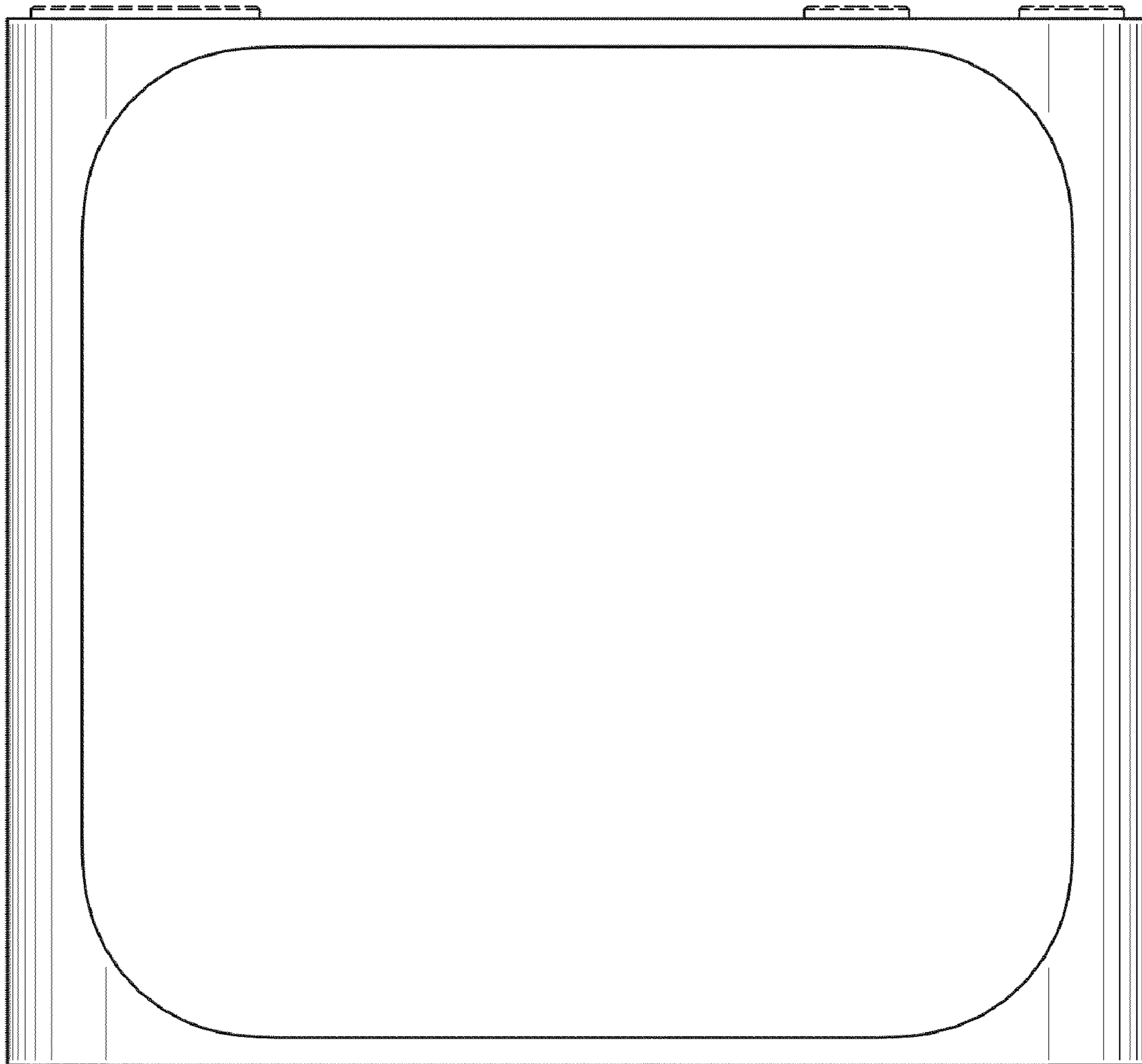


FIG. 6

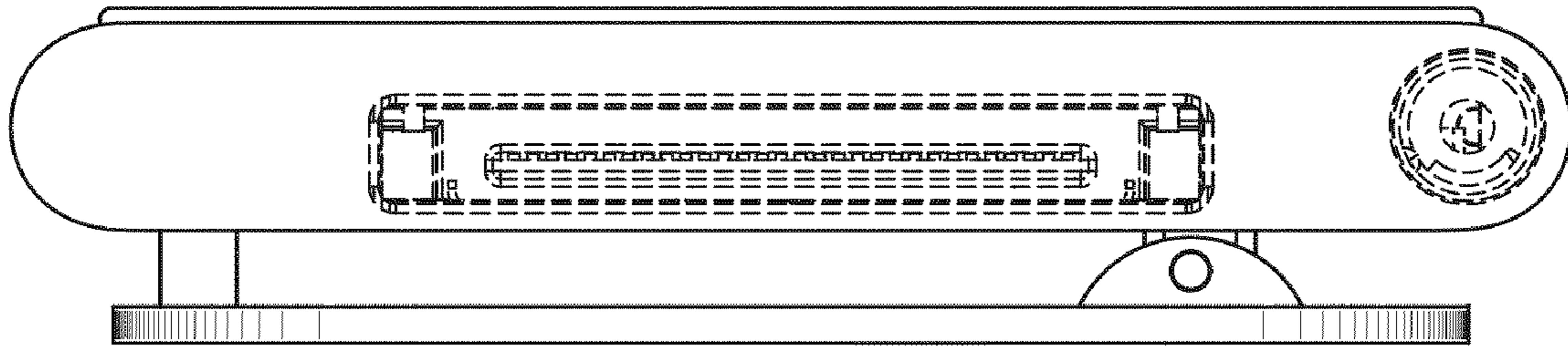


FIG. 7

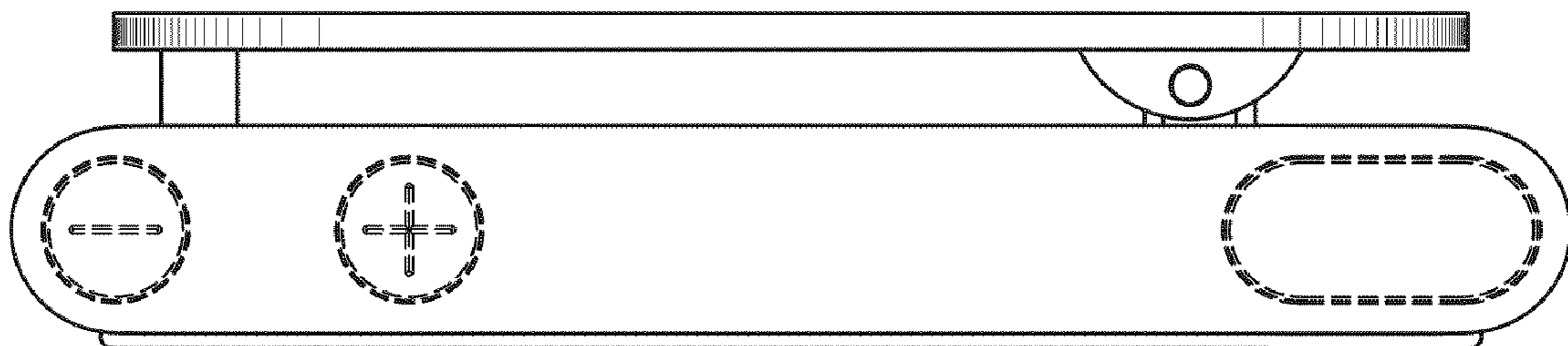


FIG. 8

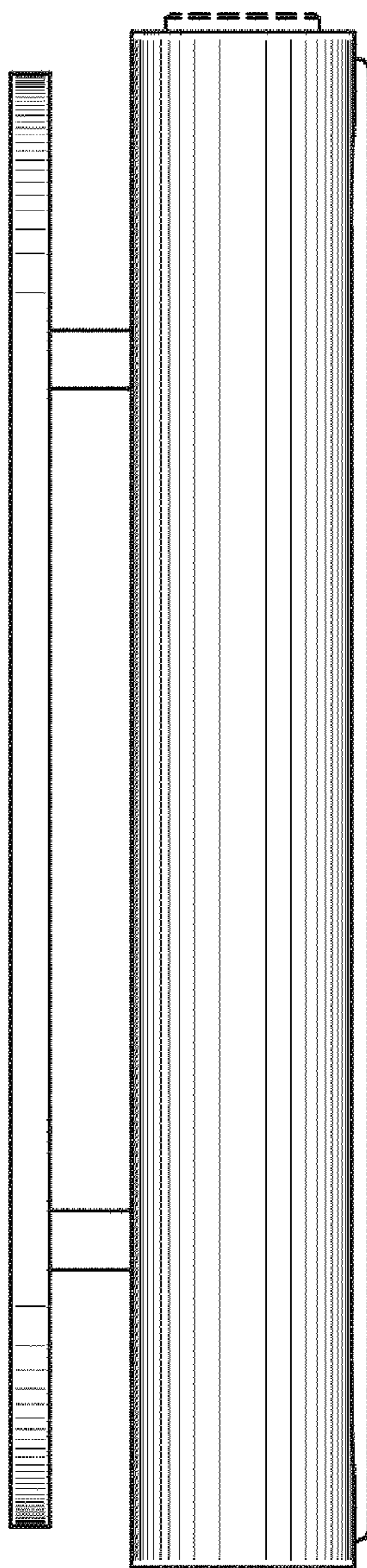


FIG. 9

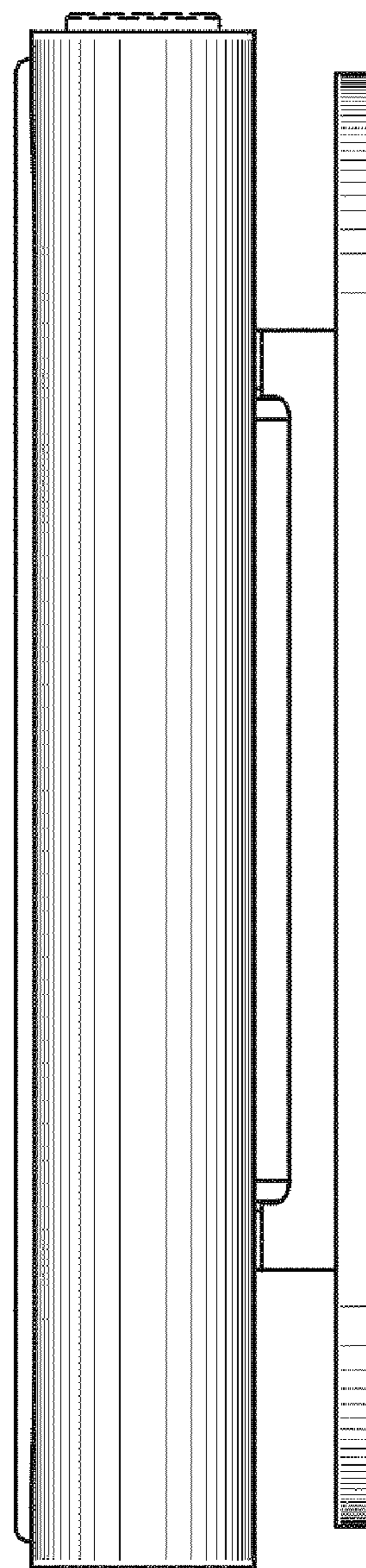


FIG. 10