



US00D654505S

(12) **United States Design Patent**
Naranjo et al.

(10) **Patent No.:** **US D654,505 S**

(45) **Date of Patent:** **** Feb. 21, 2012**

(54) **DISPLAY SCREEN WITH USER INTERFACE**

(56) **References Cited**

(75) Inventors: **Felipe Luis Naranjo**, Seattle, WA (US);
Diego D. Baca Del Rosario, Seattle, WA
(US); **Timothy Matthew Edgar**,
Bellevue, WA (US); **Paul Ronald Ray**,
Redmond, WA (US)

U.S. PATENT DOCUMENTS

D435,561	S	*	12/2000	Pettigrew et al.	D14/487
D491,956	S	*	6/2004	Ombao et al.	D14/487
D527,387	S	*	8/2006	McDougall et al.	D14/485
D537,449	S	*	2/2007	Hoefnagels et al.	D14/485
D563,965	S	*	3/2008	Van Dongen et al.	D14/485
D576,173	S	*	9/2008	Oshiro et al.	D14/486
D596,646	S	*	7/2009	Wani	D14/488
D599,812	S	*	9/2009	Hirsch	D14/488
D604,315	S	*	11/2009	Hoefnagels et al.	D14/487
D604,317	S	*	11/2009	Hoefnagels et al.	D14/488
D616,456	S	*	5/2010	Cameron et al.	D14/487
D617,804	S	*	6/2010	Hirsch	D14/485
D628,209	S	*	11/2010	Mueller et al.	D14/486

(73) Assignee: **Microsoft Corporation**, Redmond, WA
(US)

(**) Term: **14 Years**

* cited by examiner

(21) Appl. No.: **29/376,238**

Primary Examiner — Angela J Lee

(22) Filed: **Oct. 4, 2010**

(74) *Attorney, Agent, or Firm* — Banner & Witcoff, Ltd.

(51) **LOC (9) Cl.** **14-04**

(57) **CLAIM**

(52) **U.S. Cl.** **D14/486**

The ornamental design for a display screen with user inter-
face, as shown and described.

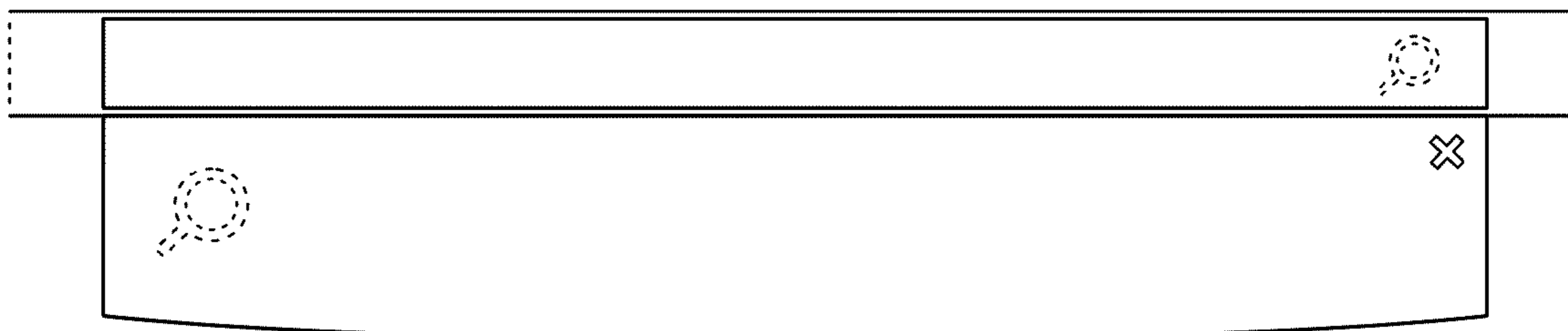
(58) **Field of Classification Search** D14/485,
D14/486, 487, 488, 489, 490, 491, 492, 493,
D14/494, 495; 345/426, 594, 902; 715/700,
715/703, 715, 716, 719, 720, 727, 728, 758,
715/762, 763, 768, 773, 779, 780, 781, 790,
715/808, 809, 810, 828, 835, 840, 841, 842,
715/843, 864, 867, 961, 962, 963, 966, 975

DESCRIPTION

FIG. 1 is a front view of a display screen with user interface
showing the new design; and,
FIG. 2 is an enlarged partial view of FIG. 1.
The broken line showing of the two magnifying glass-shaped
images, the remainder of the user interface and the display
screen is for environmental purposes only and forms no part
of the claimed design.

See application file for complete search history.

1 Claim, 2 Drawing Sheets



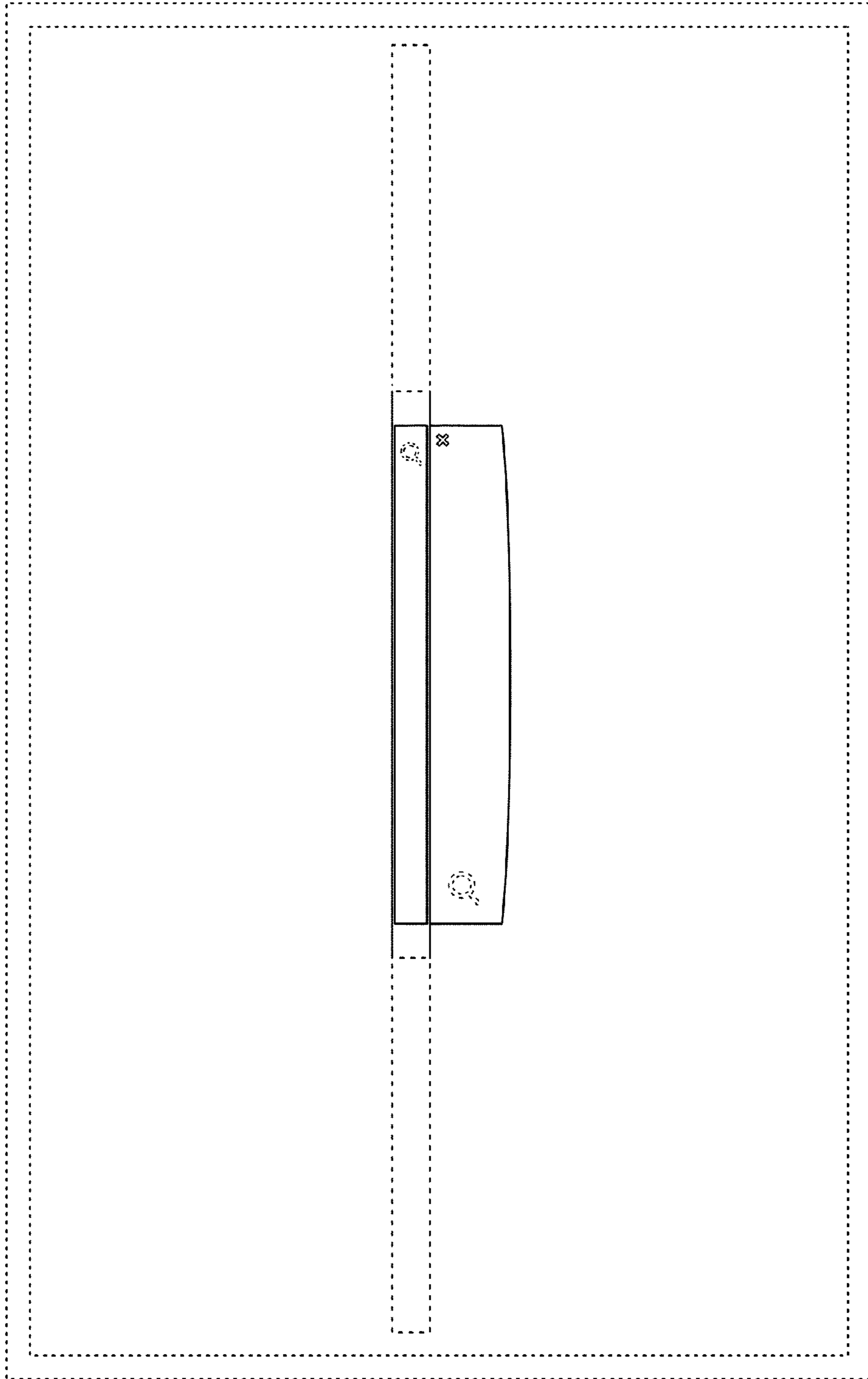


FIG. 1

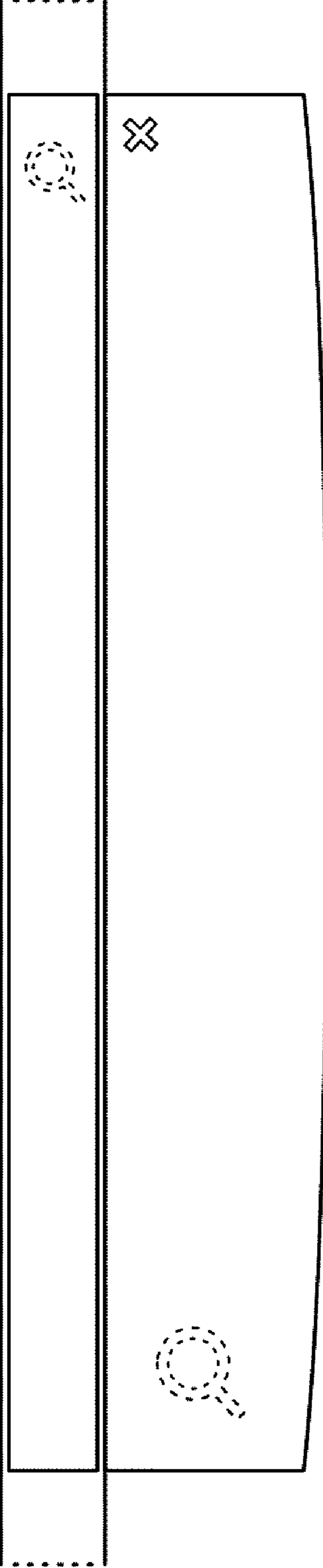


FIG. 2