



US00D654503S

(12) **United States Design Patent**
Sapper

(10) **Patent No.:** **US D654,503 S**
(45) **Date of Patent:** **** Feb. 21, 2012**

(54) **SUPPORT ARM**

(75) Inventor: **Richard Sapper, Milan (IT)**

(73) Assignee: **Knoll, Inc., East Greenville, PA (US)**

(**) Term: **14 Years**

(21) Appl. No.: **29/393,728**

(22) Filed: **Jun. 8, 2011**

(51) **LOC (9) Cl.** **14-02**

(52) **U.S. Cl.** **D14/452**

(58) **Field of Classification Search** D14/452,
D14/451, 448, 447, 239, 253; D8/349, 363,
D8/373, 380; 248/917-924, 122.1, 124.1,
248/125.8, 371, 393, 157, 425, 176.1, 186.1;
361/679.02, 679.04, 679.05, 679.06, 679.07,
361/679.21, 679.22

See application file for complete search history.

(56) **References Cited**

U.S. PATENT DOCUMENTS

5,553,820	A	9/1996	Karten et al.	
5,992,809	A	11/1999	Sweere et al.	
6,499,704	B2	12/2002	Oddsens, Jr.	
6,505,988	B1	1/2003	Oddsens, Jr.	
6,554,235	B1	4/2003	Fortier	
6,554,238	B1	4/2003	Hibberd	
6,679,090	B1	1/2004	Finch, Jr.	
6,739,096	B2	5/2004	Feldpausch et al.	
6,863,252	B2	3/2005	Bosson	
D503,719	S	4/2005	Lin	
6,905,101	B1	6/2005	Dittmer	
D518,063	S	3/2006	Piazza et al.	
7,014,157	B2	3/2006	Oddsens	
D522,009	S	5/2006	Chen	
7,048,242	B2	5/2006	Oddsens, Jr.	
D537,323	S *	2/2007	Saez D8/363	
7,182,301	B1	2/2007	Oddsens, Jr. et al.	
7,195,215	B2	3/2007	Lin	
7,246,780	B2	7/2007	Oddsens, Jr.	
7,252,277	B2	8/2007	Sweere et al.	

7,264,212	B2 *	9/2007	Hung 248/282.1	
D563,399	S	3/2008	Wohlford et al.	
D568,325	S	5/2008	Muday et al.	
7,389,965	B2	6/2008	Oddsens, Jr. et al.	
7,395,995	B2	7/2008	Chen	
D577,729	S *	9/2008	Derry et al. D14/452	
D584,734	S	1/2009	Chu	
D598,917	S *	8/2009	Luber D14/375	
D606,548	S	12/2009	Sapper	
7,694,927	B2 *	4/2010	Chuang 248/276.1	
D621,842	S	8/2010	Sapper	
D627,474	S *	11/2010	Nordgren et al. D24/185	
D629,808	S	12/2010	Sapper	
D631,052	S *	1/2011	Hung D14/452	
2003/0075653	A1	4/2003	Li	
2003/0231460	A1	12/2003	Moscovitch	

(Continued)

FOREIGN PATENT DOCUMENTS

GB 2 440 606 2/2008

(Continued)

Primary Examiner — Angela J Lee

(74) *Attorney, Agent, or Firm* — Buchanan Ingersoll & Rooney PC

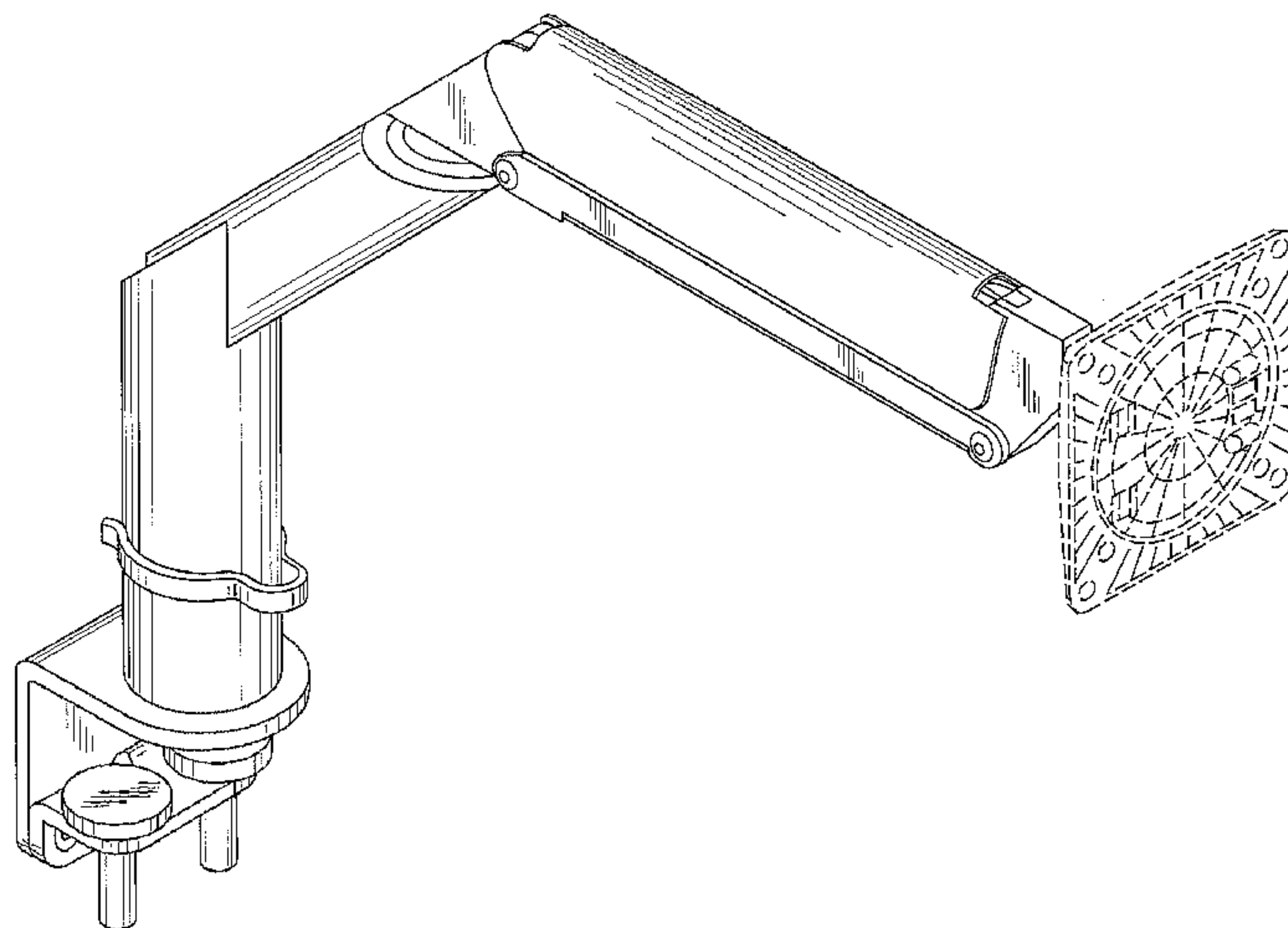
(57) **CLAIM**

The ornamental design for a support arm, as shown and described.

DESCRIPTION

FIG. 1 is a perspective view of a support arm showing our new design;
FIG. 2 is a front elevational view thereof;
FIG. 3 is a rear elevational view thereof;
FIG. 4 is a top plan view thereof;
FIG. 5 is a bottom plan view thereof;
FIG. 6 is a left side elevational view thereof; and,
FIG. 7 is a right side elevational view thereof.
The broken line showing of a mounting plate forms no part of the claimed design.

1 Claim, 5 Drawing Sheets



US D654,503 S

Page 2

U.S. PATENT DOCUMENTS

2004/0011938	A1	1/2004	Oddsens, Jr.
2005/0133678	A1	6/2005	Dittmer
2005/0284991	A1	12/2005	Saez
2005/0284997	A1	12/2005	Tisbo et al.
2006/0266909	A1	11/2006	Oddsens, Jr. et al.
2008/0164395	A1	7/2008	Chang et al.
2008/0237439	A1	10/2008	Oddsens
2009/0090831	A1	4/2009	Henning et al.

FOREIGN PATENT DOCUMENTS

WO	2007118862	10/2007
WO	2007137905	12/2007
WO	2008012368	1/2008
WO	2008022873	2/2008
WO	2008091998	7/2008
WO	2008113860	9/2008

* cited by examiner

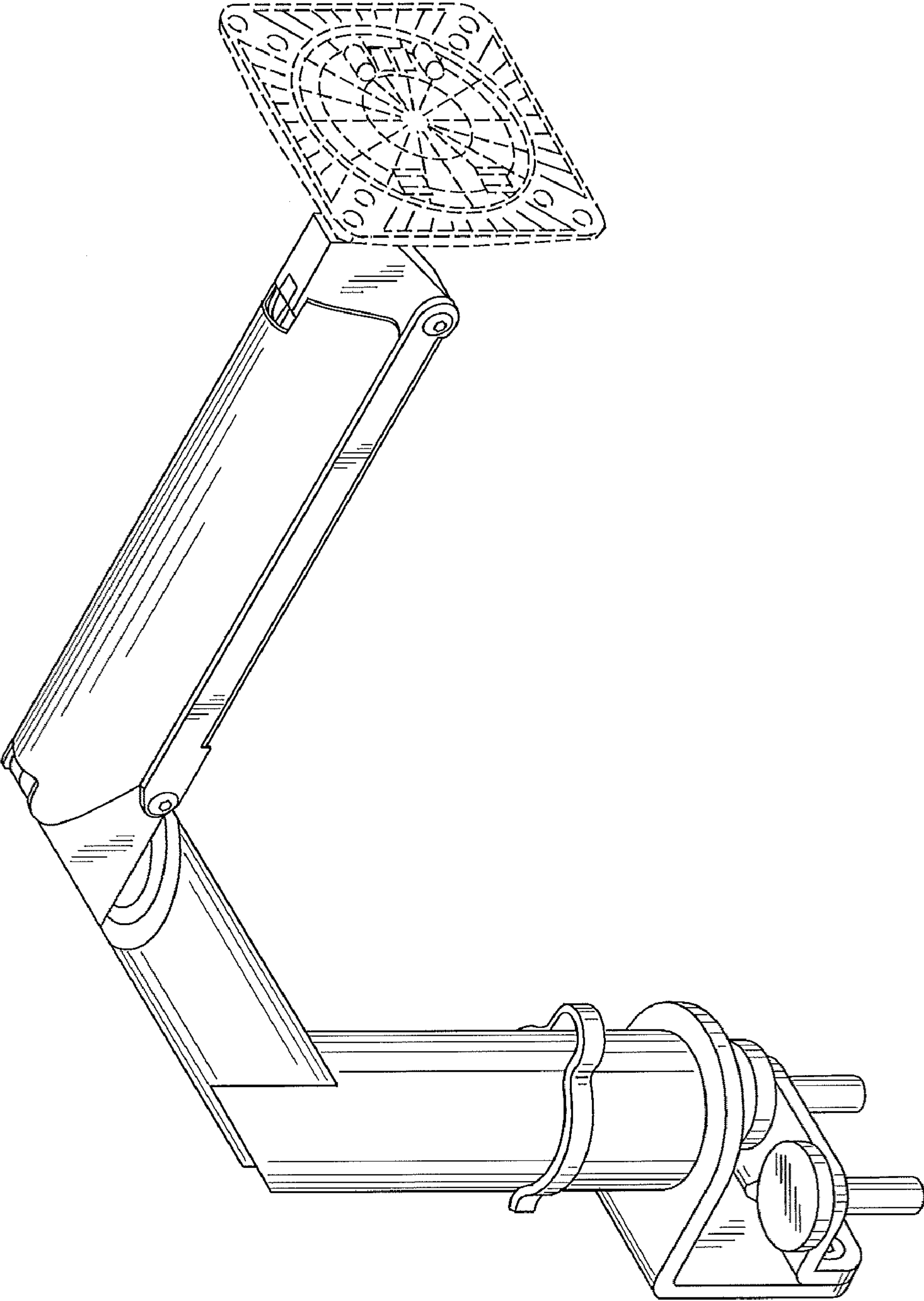


FIG. 1

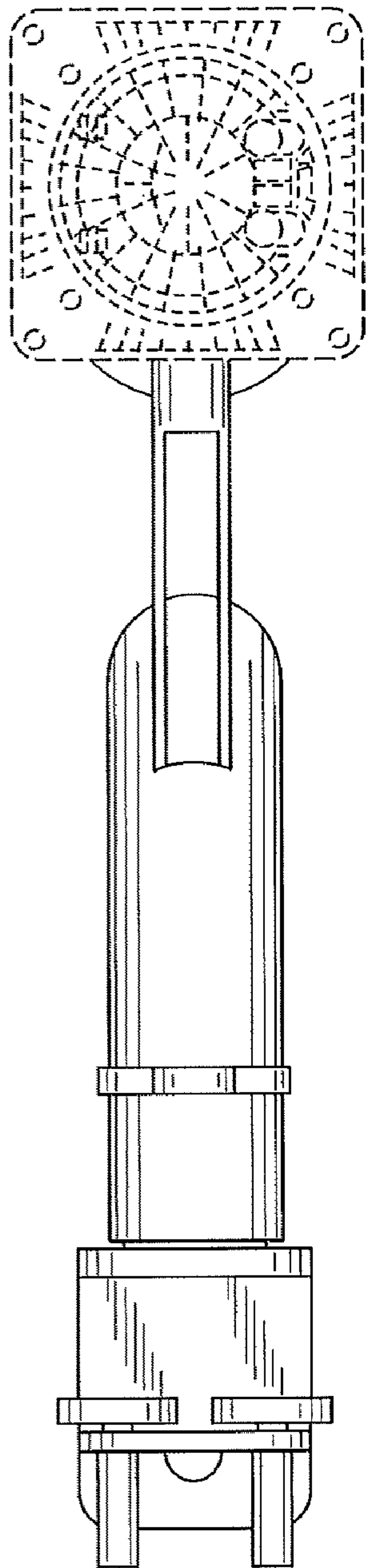


FIG. 2

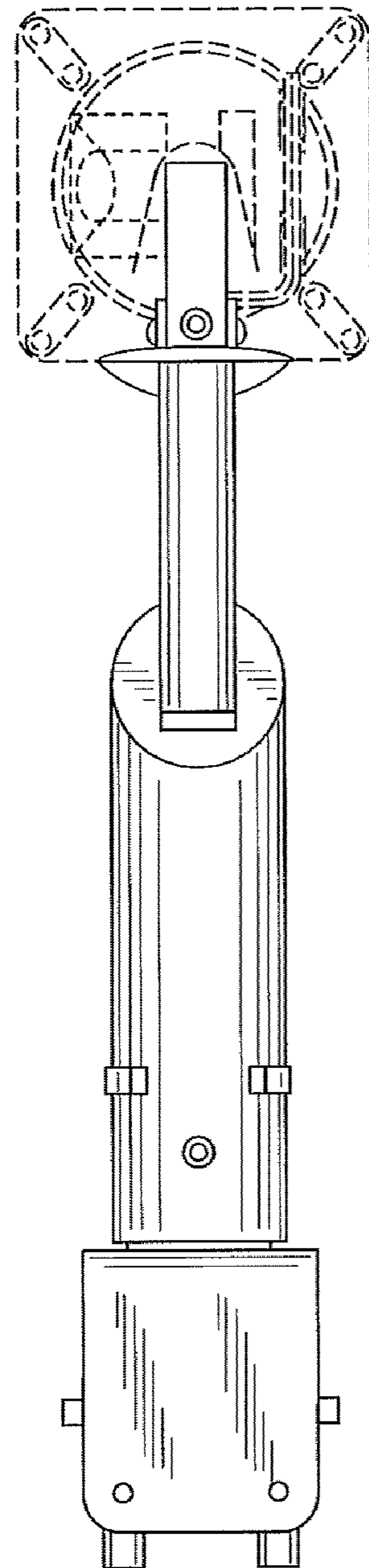


FIG. 3

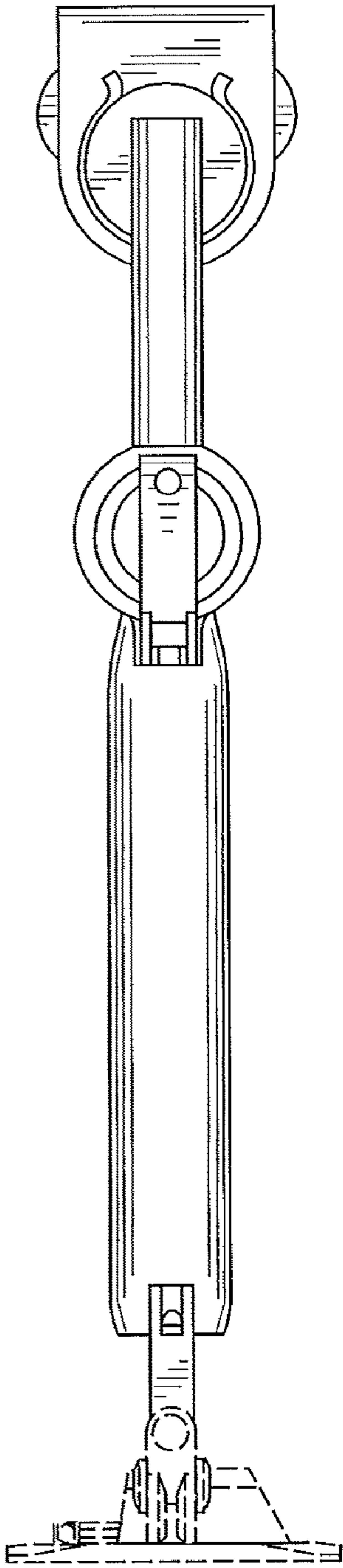


FIG. 4

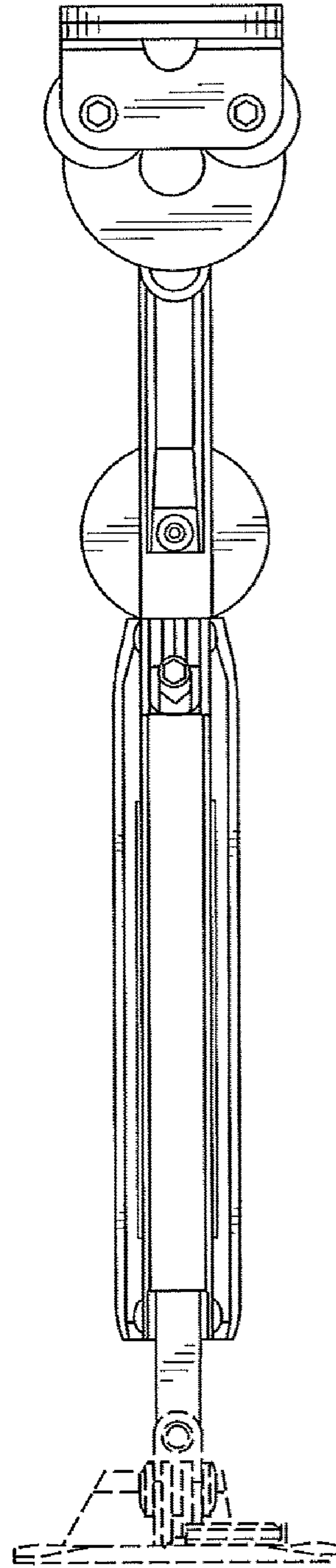


FIG. 5

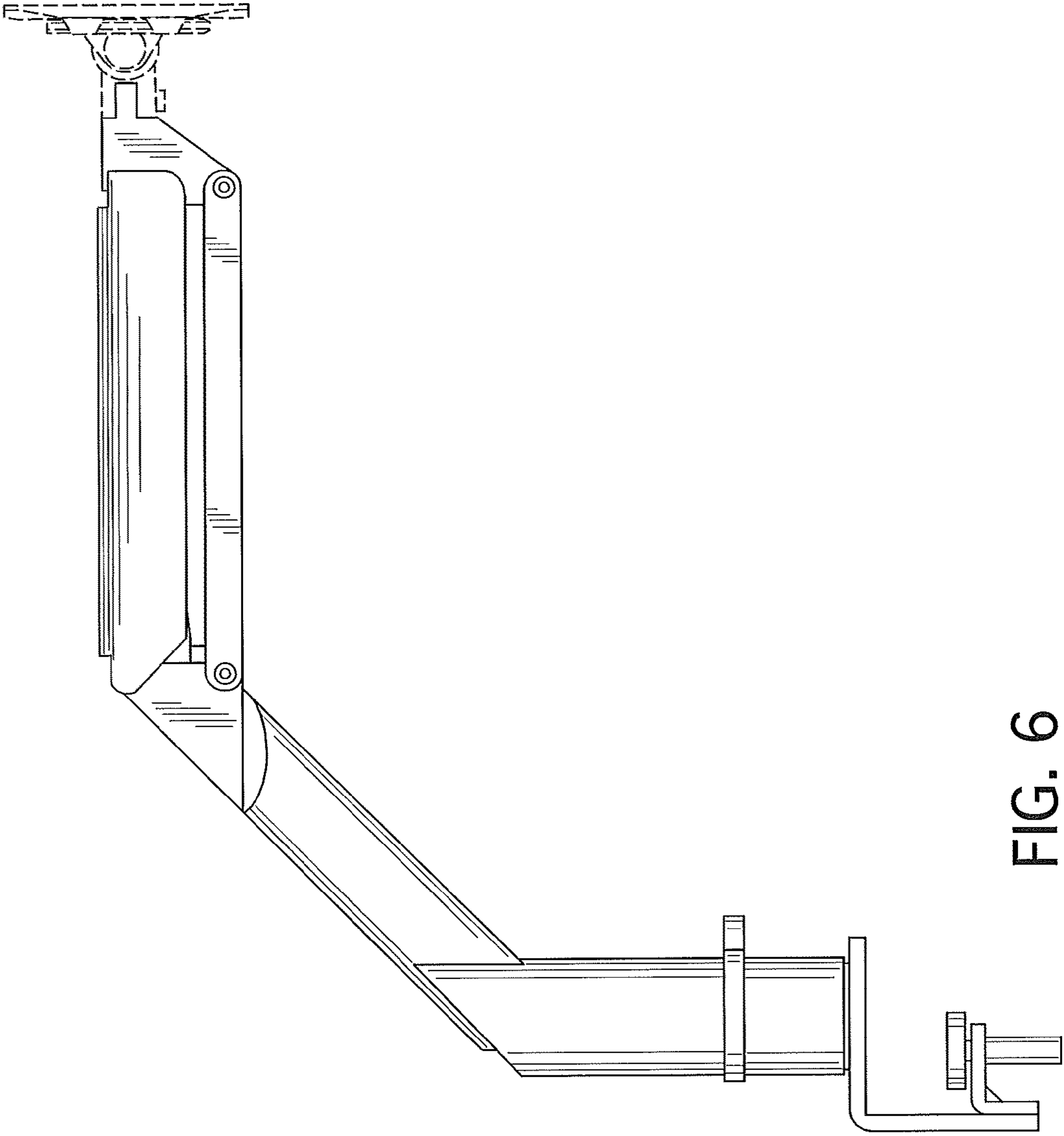


FIG. 6

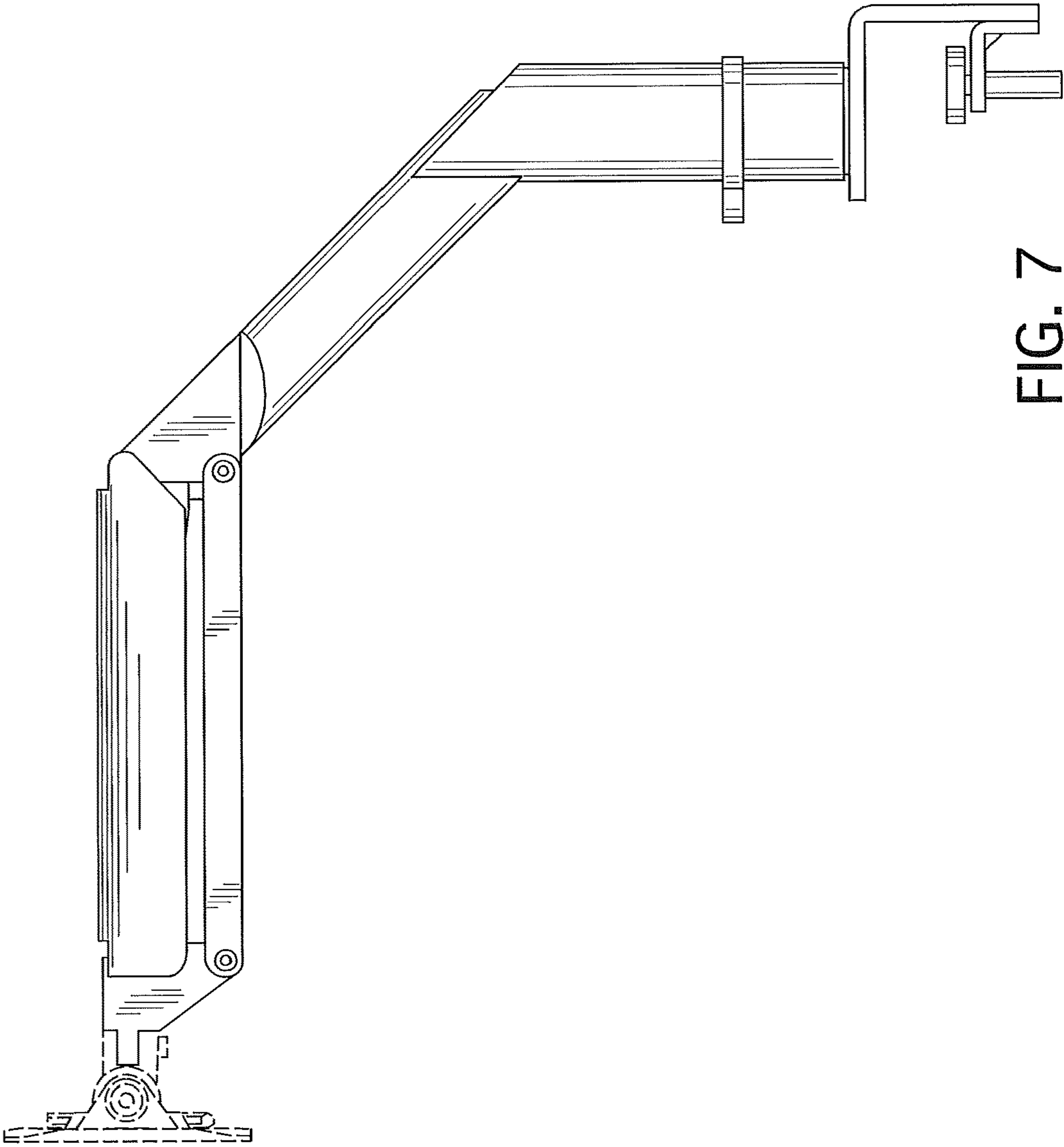


FIG. 7