



US00D654502S

(12) **United States Design Patent**
Walker

(10) **Patent No.:** **US D654,502 S**

(45) **Date of Patent:** **** Feb. 21, 2012**

(54) **ADVERTISEMENT APPARATUS ATTACHED TO THE FACE OF BEZEL**

(76) Inventor: **John Lowell Walker**, Seffner, FL (US)

(**) Term: **14 Years**

(21) Appl. No.: **29/386,258**

(22) Filed: **Feb. 25, 2011**

(51) **LOC (9) Cl.** **14-02**

(52) **U.S. Cl.** **D14/450**

(58) **Field of Classification Search** D14/448,
D14/449, 450, 439, 440, 432, 371, 372, 373,
D14/374, 375, 376, 377, 378, 379, 380, 381,
D14/382, 336, 337, 125, 126, 127, 239; D6/300,
D6/308, 310; 345/905; 348/184, 739, 761,
348/766, 789, 790, 794, 825, 836, 840; 349/58;
248/917-924; 40/700; D20/10, 19, 27, 42
See application file for complete search history.

(56) **References Cited**

U.S. PATENT DOCUMENTS

5,549,267	A *	8/1996	Armbruster et al.	248/442.2
5,988,582	A *	11/1999	Olivo	248/442.2
6,550,172	B2 *	4/2003	Korpai	40/725
D486,831	S *	2/2004	Dayani et al.	D14/448
D487,273	S *	3/2004	Korpai	D14/448
D508,054	S *	8/2005	Ramsey	D14/448
D508,695	S *	8/2005	Vaughn	D14/448
D522,007	S *	5/2006	Cano	D14/448

D546,073	S *	7/2007	Mischel et al.	D6/300
D572,677	S *	7/2008	Niitsu	D14/126
D625,760	S *	10/2010	Wormser	D20/42
2001/0046115	A1 *	11/2001	Genicevitch	361/682
2004/0227048	A1 *	11/2004	Lom et al.	248/442.2

* cited by examiner

Primary Examiner — Angela J Lee

(74) *Attorney, Agent, or Firm* — Sinorica, LLC

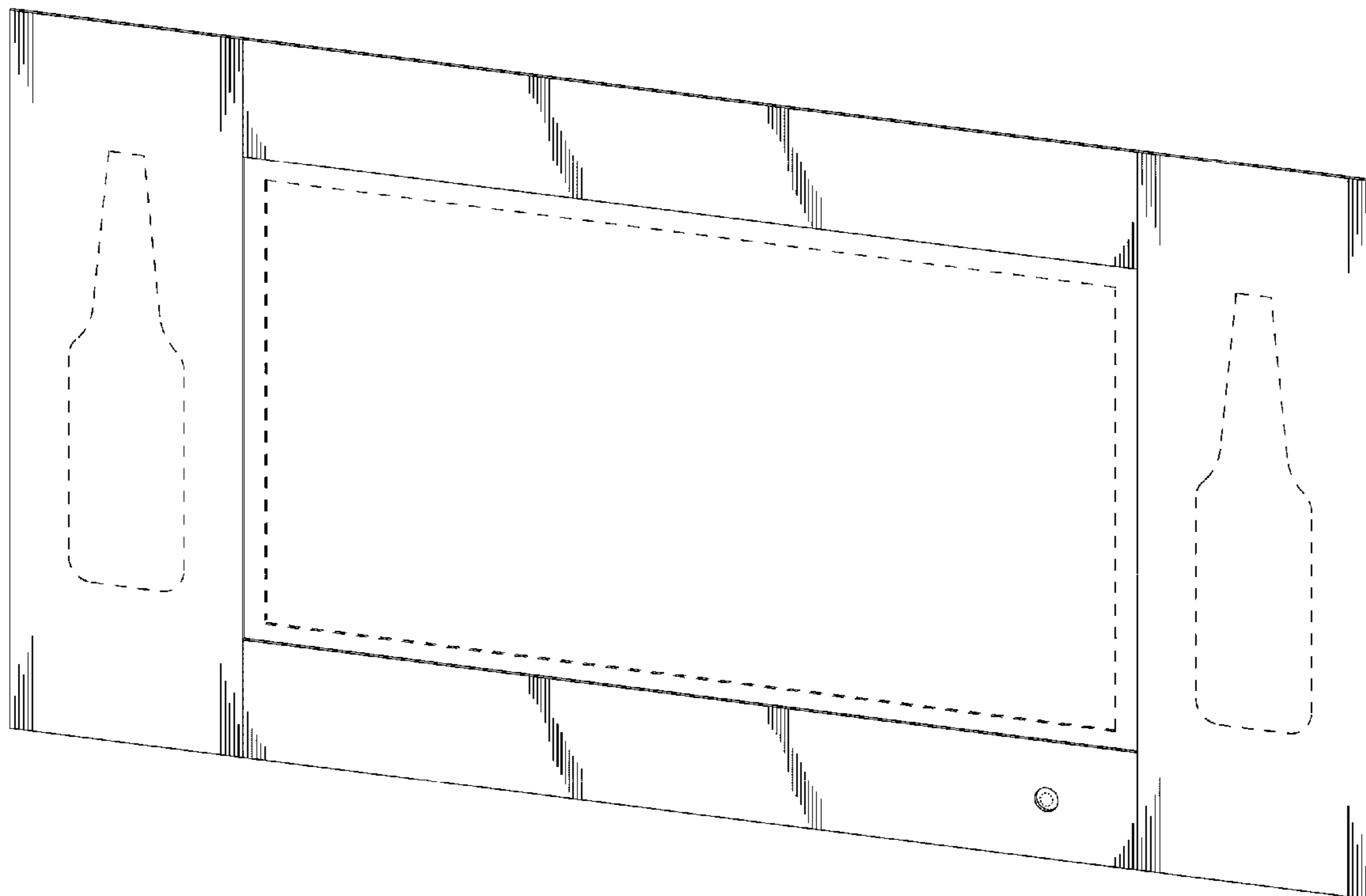
(57) **CLAIM**

The ornamental design for an advertisement apparatus attached to the face of bezel, as shown and described.

DESCRIPTION

FIG. 1 is a perspective view of an advertisement apparatus attached to the face of bezel;
FIG. 2 is a front elevational view thereof;
FIG. 3 is a rear elevational view thereof;
FIG. 4 is a right-side elevational view thereof;
FIG. 5 is a left-side elevational view thereof;
FIG. 6 is a bottom plan view thereof;
FIG. 7 is a top plan view thereof;
FIG. 8 is an exploded perspective view thereof; and,
FIG. 9 is a rear exploded perspective view thereof.
The portions of the advertisement apparatus attached to the face of bezel and the monitor shown in broken lines form no part of the claimed design.

1 Claim, 7 Drawing Sheets



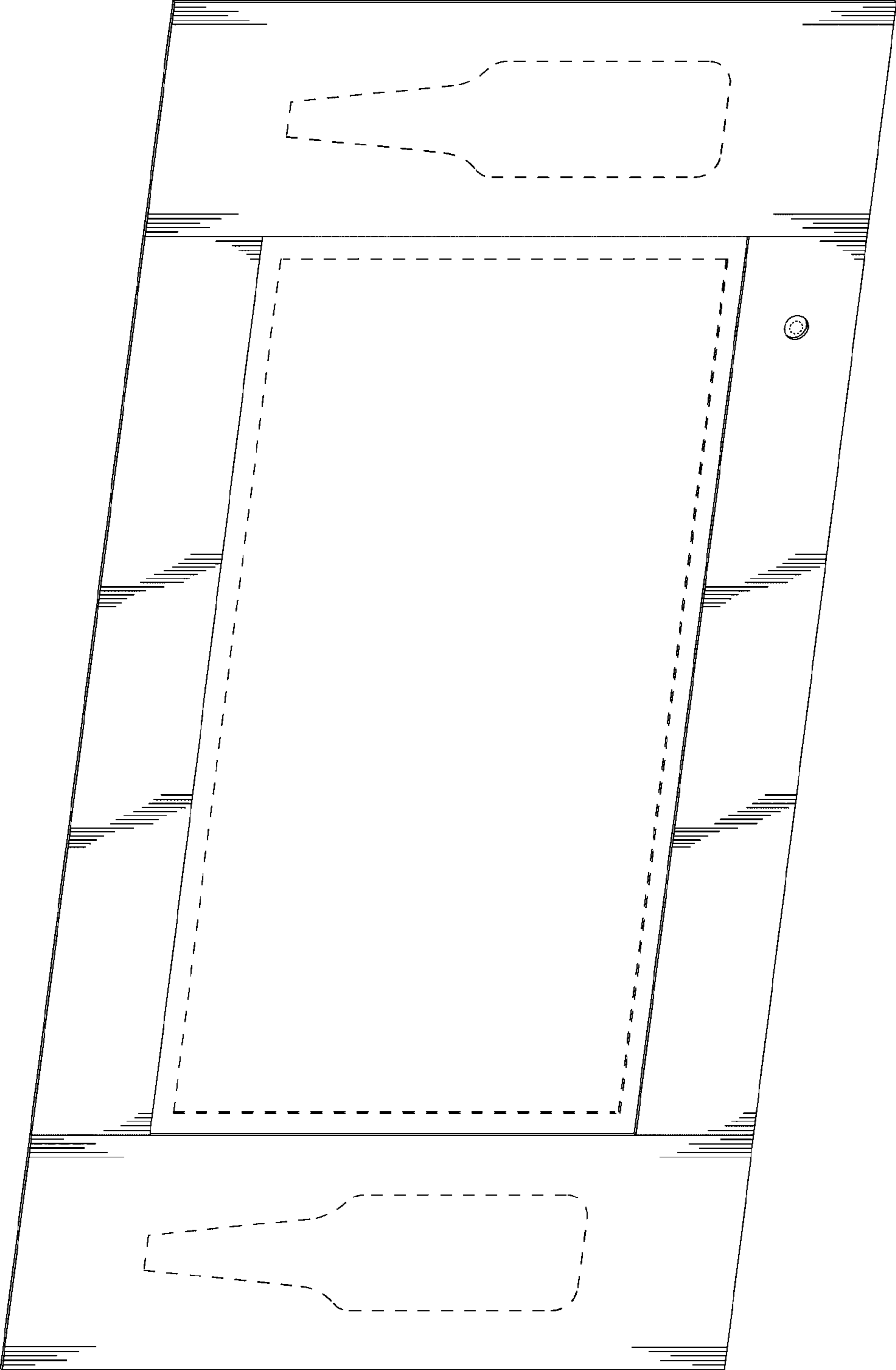


FIG. 1

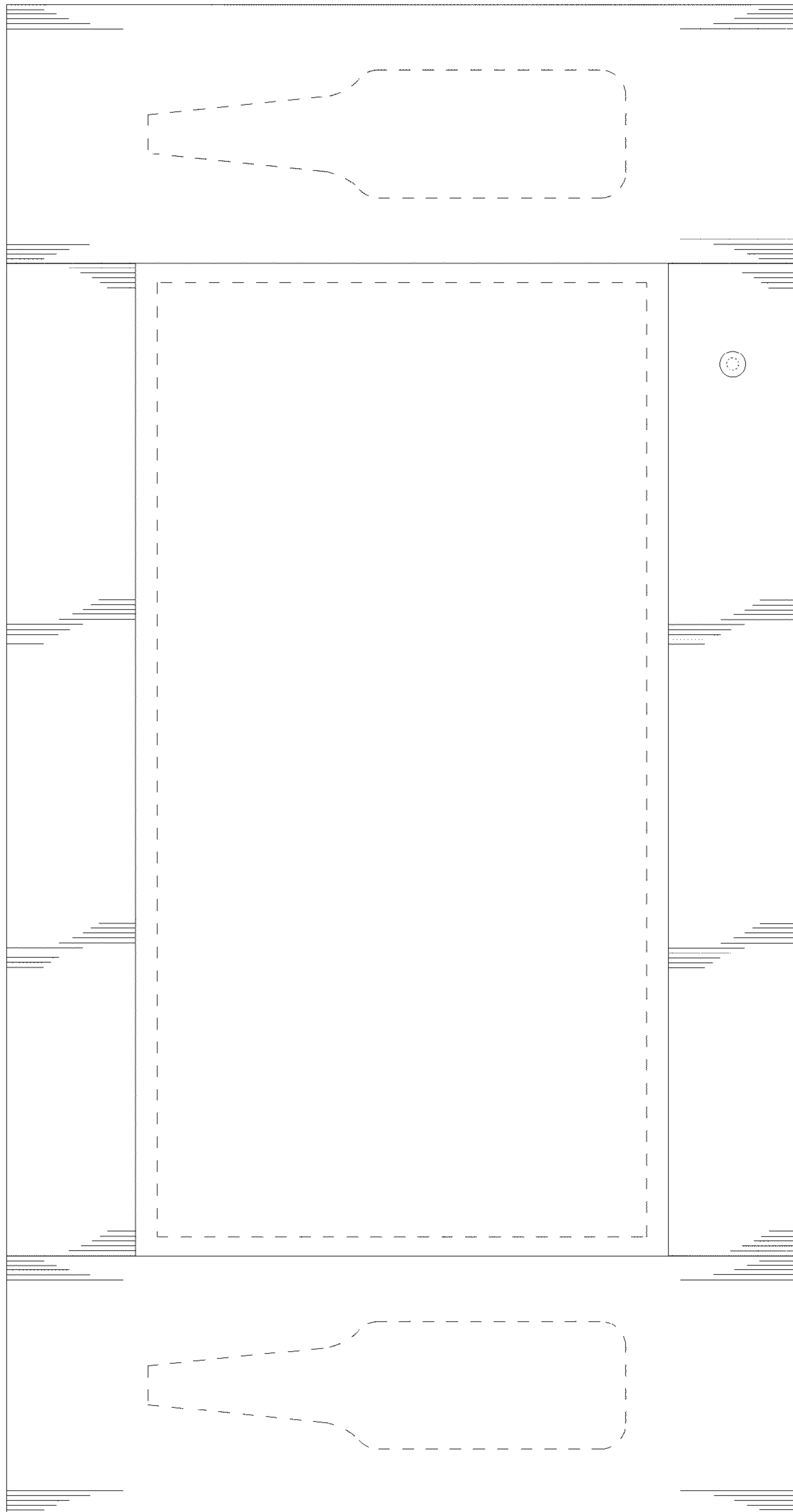


FIG. 2

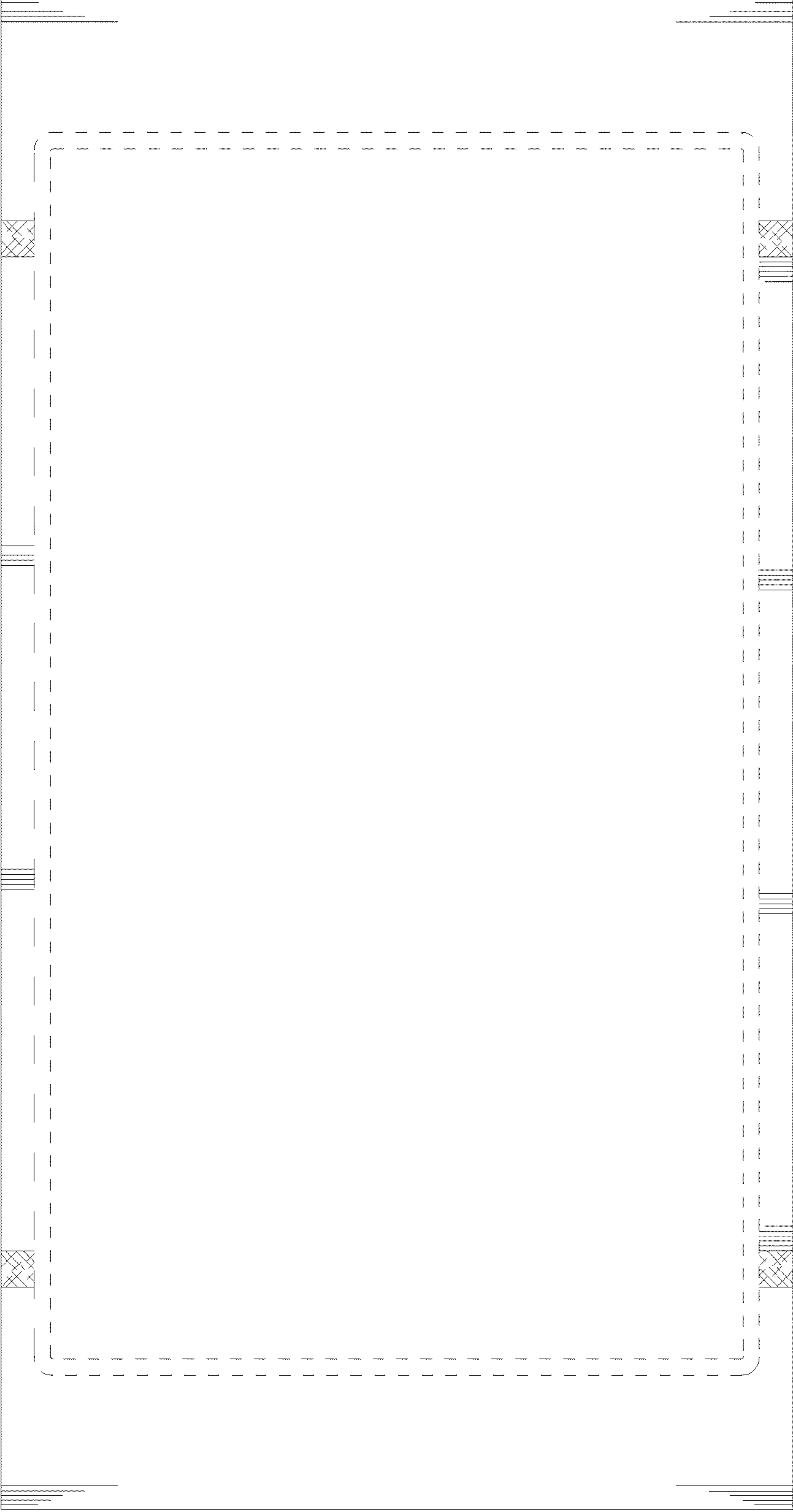


FIG. 3

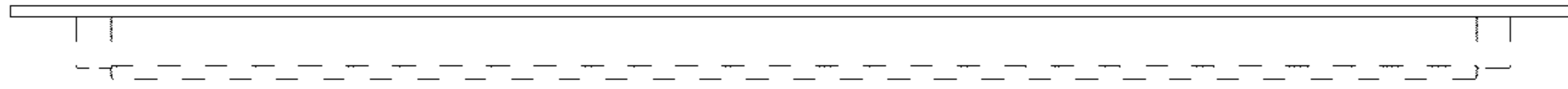


FIG. 5



FIG. 4



FIG. 6



FIG. 7

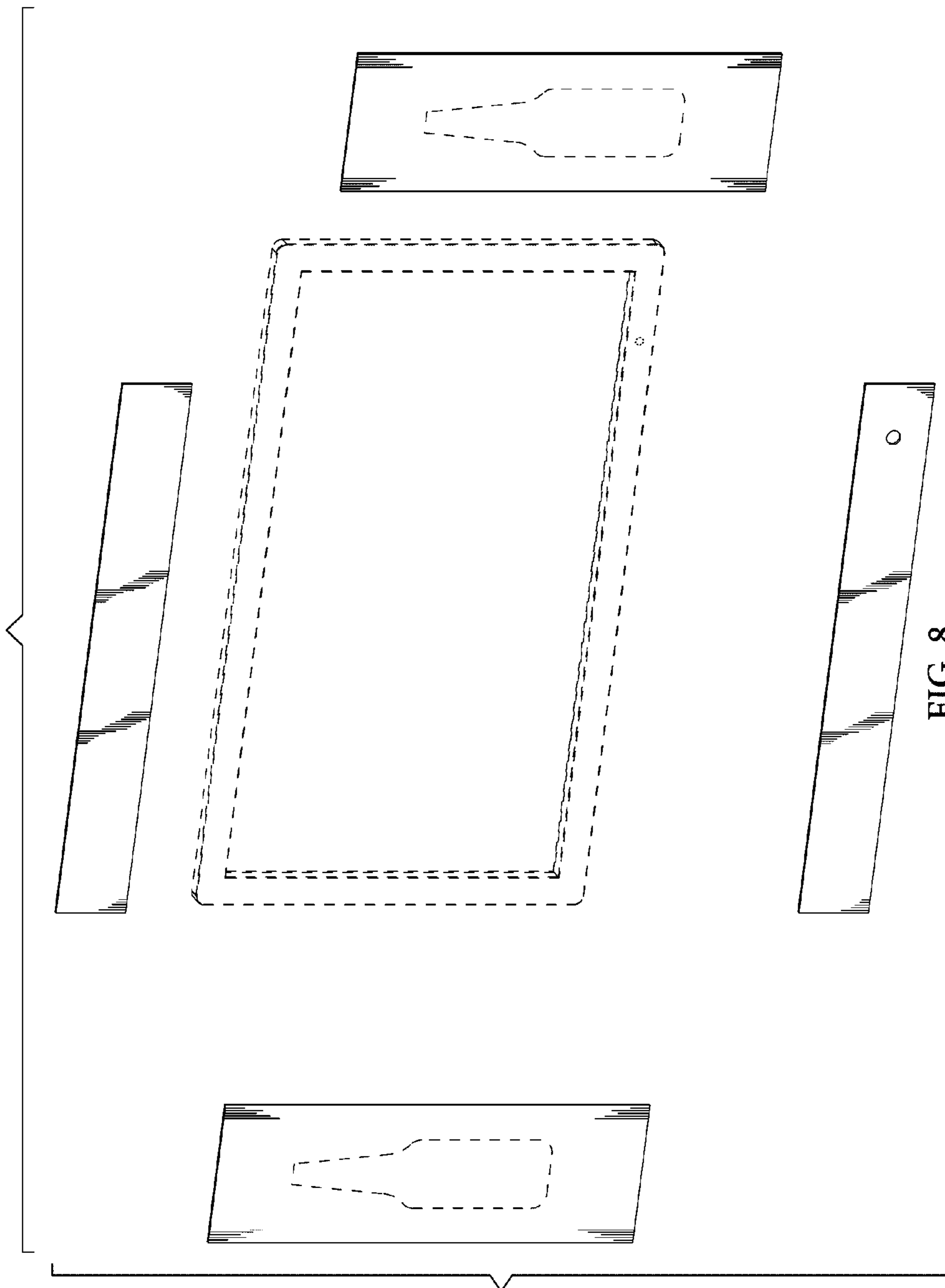


FIG. 8

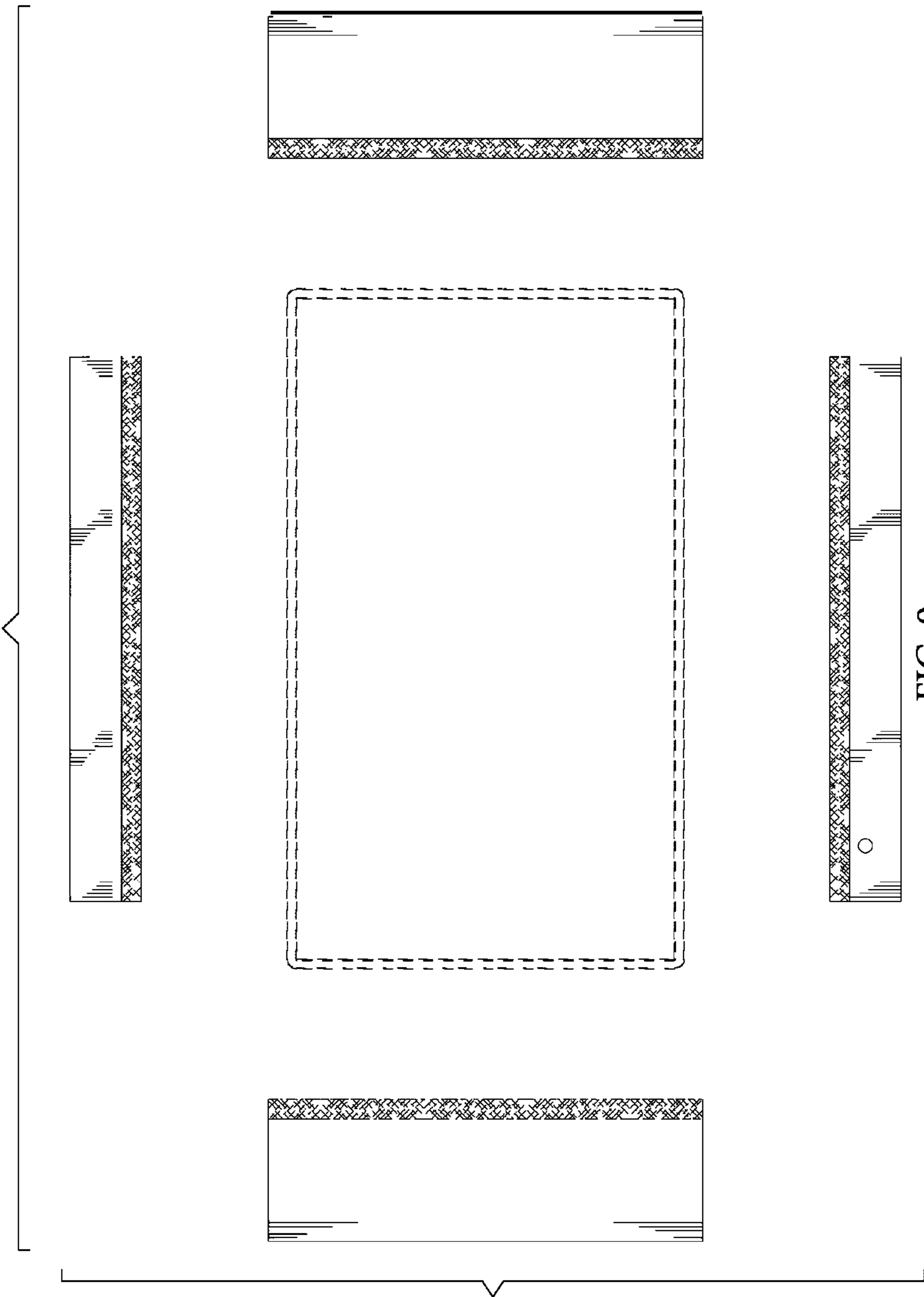


FIG. 9