



US00D654499S

(12) **United States Design Patent**
Wesolek

(10) **Patent No.:** **US D654,499 S**
(45) **Date of Patent:** **** Feb. 21, 2012**

(54) **TABLET COMPUTER**

(75) Inventor: **Bryan J. Wesolek**, Chesterton, IN (US)

(73) Assignee: **Data Ltd., Inc.**, LaPorte, IN (US)

(**) Term: **14 Years**

(21) Appl. No.: **29/338,316**

(22) Filed: **Jun. 9, 2009**

(51) **LOC (9) Cl.** **14-02**

(52) **U.S. Cl.** **D14/346; D14/341**

(58) **Field of Classification Search** D14/341,
D14/342, 343, 344, 345, 346, 347, 426, 427,
D14/428, 430, 431, 496, 125, 126, 129, 130,
D14/137, 203.1, 203.3, 203.4, 203.5, 203.6,
D14/203.7, 138 R, 138 AA, 138 AB, 138 AC,
D14/138 C, 138 AD, 138 G; D21/324, 329,
D21/330, 331, 333; D18/7; D10/65; 455/556.1,
455/556.2, 575.4, 575.1; 345/901; 361/679.55,
361/679.56; 348/552; 379/428.01, 433.04,
379/433.12, 908, 910, 916

See application file for complete search history.

(56) **References Cited**

U.S. PATENT DOCUMENTS

4,387,297 A	6/1983	Swartz et al.
4,460,120 A	7/1984	Shepard et al.
4,593,186 A	6/1986	Swartz et al.
4,758,717 A	7/1988	Shepard et al.
4,806,742 A	2/1989	Swartz et al.
4,816,660 A	3/1989	Swartz et al.
4,825,057 A	4/1989	Swartz et al.
4,835,374 A	5/1989	Swartz et al.
4,896,026 A	1/1990	Krichever et al.
4,897,532 A	1/1990	Swartz et al.
D305,884 S	2/1990	Krichever et al.
D305,885 S	2/1990	Barkan et al.
D315,549 S	3/1991	Clough et al.
5,012,389 A	4/1991	Perry
5,015,833 A	5/1991	Shepard et al.

5,017,765 A	5/1991	Shepard et al.
5,019,677 A	5/1991	Menen
5,021,641 A	6/1991	Swartz et al.
D320,013 S	9/1991	Siemiatkowski et al.
5,075,538 A	12/1991	Swartz et al.
5,080,456 A	1/1992	Katz et al.
D325,573 S	4/1992	Glegg et al.
D325,574 S	4/1992	Carver
5,107,100 A	4/1992	Shepard et al.
5,130,520 A	7/1992	Shepard et al.
5,142,684 A	8/1992	Perry et al.

(Continued)

Primary Examiner — Angela J Lee

(74) *Attorney, Agent, or Firm* — Barnes & Thornburg LLP

(57) **CLAIM**

I claim the ornamental design for a tablet computer, as shown and described.

DESCRIPTION

FIG. 1 is a front perspective view of a tablet computer of the present invention.

FIG. 2 is a rear perspective view of the tablet computer depicted in FIG. 1.

FIG. 3 is a front view of the tablet computer depicted in FIG. 1.

FIG. 4 is a rear view of the tablet computer depicted in FIG. 1.

FIG. 5 is a top view of the tablet computer depicted in FIG. 1.

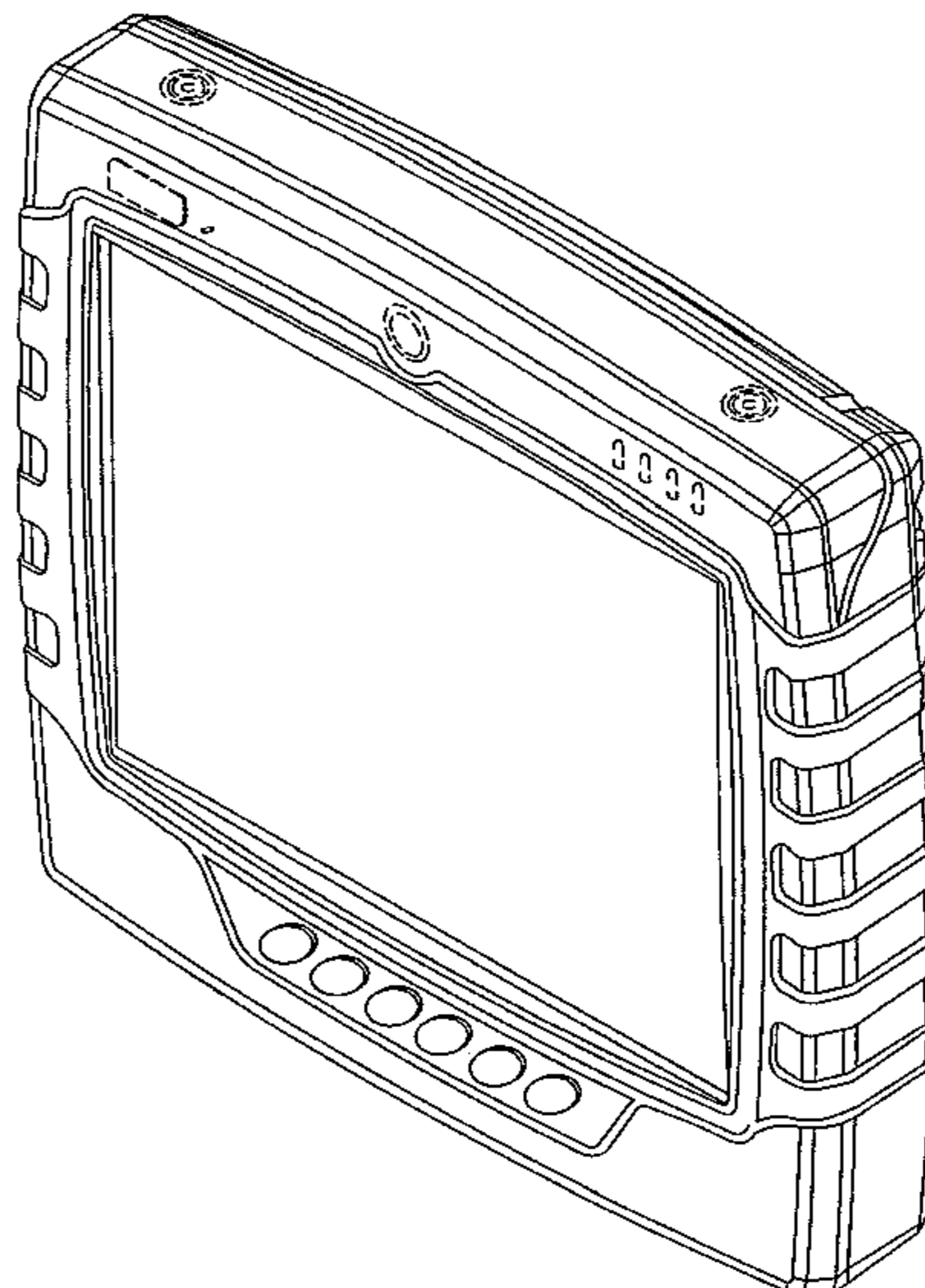
FIG. 6 is a bottom view of the tablet computer depicted in FIG. 1.

FIG. 7 is a right side view of the tablet computer depicted in FIG. 1; and,

FIG. 8 is a left side view of the tablet computer depicted in FIG. 1.

The broken lines shown in the drawings are for purposes of illustrating portions of the tablet computer and form no part of the claimed design.

1 Claim, 6 Drawing Sheets



US D654,499 S

U.S. PATENT DOCUMENTS					
5,149,950 A	9/1992	Swartz et al.	5,659,761 A	8/1997	DeArras et al.
D330,707 S	11/1992	Whitaker	5,661,291 A	8/1997	Ahearn et al.
D330,708 S	11/1992	LaManna et al.	D383,124 S	9/1997	Lanzaro et al.
5,180,904 A	1/1993	Shepard et al.	5,665,954 A	9/1997	Bard et al.
5,200,597 A	4/1993	Eastman et al.	5,675,362 A	10/1997	Clough et al.
5,212,371 A	5/1993	Boles et al.	D386,489 S	11/1997	Goldman et al.
5,212,372 A	5/1993	Quick et al.	D387,752 S	12/1997	Stewart et al.
D336,464 S	6/1993	Clough et al.	D387,753 S	12/1997	Stewart et al.
D337,316 S	7/1993	Ruiten	D387,754 S	12/1997	Stewart et al.
5,247,657 A	9/1993	Myers	D388,076 S	12/1997	Swift et al.
D340,038 S	10/1993	Venne et al.	5,710,417 A	1/1998	Joseph et al.
D340,236 S	10/1993	Sandor	D391,234 S	2/1998	Chacon et al.
D340,237 S	10/1993	Swartz	D391,555 S	3/1998	Schlieffers et al.
D340,238 S	10/1993	Swartz	D392,282 S	3/1998	Ahearn et al.
D340,239 S	10/1993	Swartz	5,729,003 A	3/1998	Briggs, III
D340,707 S	10/1993	Swartz	5,742,475 A	4/1998	Riddiford
5,250,792 A	10/1993	Swartz	D394,848 S	6/1998	Riddiford
D341,584 S	11/1993	Shepard	D394,855 S	6/1998	Ahearn et al.
5,262,628 A	11/1993	Shepard et al.	5,763,865 A	6/1998	Swift et al.
D342,244 S	12/1993	Swartz	D396,033 S	7/1998	Ahearn et al.
D342,245 S	12/1993	Krichever et al.	5,777,281 A	7/1998	Riddiford
D342,491 S	12/1993	Doran et al.	5,786,581 A	7/1998	Eastman et al.
D343,170 S	1/1994	Gilpin et al.	5,786,585 A	7/1998	Eastman et al.
5,281,800 A	1/1994	Pelton et al.	D397,085 S	8/1998	Blase
D344,494 S	2/1994	Cardenas	5,793,967 A	8/1998	Simciak et al.
D344,501 S	2/1994	Gong et al.	D398,002 S	9/1998	Chacon et al.
D344,936 S	3/1994	Gilpin et al.	D398,903 S	9/1998	Chacon et al.
D346,162 S	4/1994	Bennett et al.	5,801,371 A	9/1998	Kahn et al.
5,306,900 A	4/1994	Metlitsky et al.	5,801,918 A	9/1998	Ahearn et al.
5,319,184 A	6/1994	Gilpin et al.	5,805,474 A *	9/1998	Danielson et al. 361/679.56
5,321,246 A	6/1994	Shepard et al.	5,808,287 A	9/1998	Shepard et al.
D349,109 S	7/1994	Karlin	5,814,827 A	9/1998	Katz
D350,735 S	9/1994	Karlin et al.	5,818,027 A	10/1998	Paratore
D352,936 S	11/1994	Karlin	5,828,052 A	10/1998	Reynolds et al.
D352,937 S	11/1994	Karlin	D400,872 S	11/1998	Ahearn et al.
D352,938 S	11/1994	Karlin	D404,761 S	1/1999	Tarpenning et al.
D352,939 S	11/1994	Karlin	D405,075 S	2/1999	Ahearn et al.
5,369,262 A	11/1994	Dvorkis et al.	D405,076 S	2/1999	Ahearn et al.
5,373,458 A	12/1994	Bishay et al.	D405,077 S	2/1999	Urushihata et al.
5,379,057 A	1/1995	Clough et al.	D405,256 S	2/1999	Chacon et al.
D355,904 S	2/1995	Swartz et al.	5,869,840 A	2/1999	Helton
5,396,055 A	3/1995	Shepard et al.	D406,581 S	3/1999	Bhatia et al.
D358,588 S	5/1995	LaManna et al.	D407,388 S	3/1999	Liao
D359,483 S	6/1995	Saunders et al.	5,886,338 A	3/1999	Arackellian et al.
D361,565 S	8/1995	LaManna et al.	5,907,145 A	5/1999	Krichever et al.
5,440,111 A	8/1995	Eastman et al.	5,912,450 A	6/1999	Katz et al.
D362,435 S	9/1995	Charych et al.	5,912,452 A	6/1999	Wiklof et al.
5,457,309 A	10/1995	Pelton	5,920,060 A	7/1999	Marom
5,468,949 A	11/1995	Swartz et al.	D414,171 S	9/1999	Swift et al.
5,471,042 A	11/1995	Kirkeby et al.	D414,172 S	9/1999	Hetfield et al.
5,477,044 A	12/1995	Aragon	D414,470 S	9/1999	Chacon et al.
D366,220 S *	1/1996	Sakamoto D10/65	D414,760 S	10/1999	Hetfield et al.
5,502,297 A	3/1996	Sherman	5,969,328 A	10/1999	Kunert
5,504,367 A	4/1996	Arackellian et al.	5,973,645 A	10/1999	Zigler et al.
5,508,504 A	4/1996	Dvorkis et al.	5,979,764 A	11/1999	Swyst et al.
5,508,505 A	4/1996	Walts et al.	5,979,770 A	11/1999	Schlieffers et al.
D370,478 S	6/1996	Swift et al.	5,992,750 A	11/1999	Chadima, Jr. et al.
D372,234 S	7/1996	LaManna et al.	D417,445 S	12/1999	Chacon et al.
5,532,469 A	7/1996	Shepard et al.	6,003,775 A	12/1999	Ackley
5,541,397 A	7/1996	Walts	D418,500 S	1/2000	Giordano et al.
5,550,362 A	8/1996	Sherman	D419,548 S	1/2000	Jones et al.
D374,869 S	10/1996	Karlin	6,023,147 A	2/2000	Cargin, Jr. et al.
5,565,671 A	10/1996	Kirkeby et al.	6,028,765 A *	2/2000	Swindler et al. 361/679.55
D375,493 S	11/1996	Karlin	6,031,524 A	2/2000	Kunert
5,572,007 A	11/1996	Aragon et al.	6,036,093 A	3/2000	Schultz
5,576,981 A	11/1996	Parker et al.	6,036,094 A	3/2000	Goldman et al.
D376,357 S	12/1996	Ferland et al.	6,042,414 A	3/2000	Kunert
5,581,243 A	12/1996	Ouellette et al.	6,049,813 A	4/2000	Danielson et al.
D377,345 S	1/1997	Karlin	6,052,279 A	4/2000	Friend et al.
D377,346 S	1/1997	Karlin	D424,035 S	5/2000	Steiner et al.
D377,347 S	1/1997	Karlin	D425,558 S	5/2000	Tarpenning et al.
D377,348 S	1/1997	Karlin	6,056,199 A	5/2000	Wiklof et al.
5,598,007 A	1/1997	Bunce et al.	D430,158 S	8/2000	Bhatia et al.
D377,790 S	2/1997	Ober et al.	D430,159 S	8/2000	Bhatia et al.
D378,519 S	3/1997	Ober et al.	6,102,266 A	8/2000	Chacon et al.
5,635,700 A	6/1997	Fazekas	6,123,265 A	9/2000	Schlieffers et al.
5,637,851 A	6/1997	Swartz et al.	D431,562 S	10/2000	Bhatia et al.
5,637,856 A	6/1997	Bridgelall et al.	6,149,062 A	11/2000	Danielson et al.
			6,149,063 A	11/2000	Reynolds et al.

US D654,499 S

6,158,661 A	12/2000	Chadima, Jr. et al.	6,648,228 B2	11/2003	Dvorkis
6,158,662 A	12/2000	Kahn et al.	6,651,888 B1	11/2003	Gurevich et al.
6,163,359 A	12/2000	Smith et al.	D484,131 S	12/2003	Olson et al.
6,164,545 A	12/2000	Danielson	D484,133 S	12/2003	Liu et al.
D436,104 S	1/2001	Bhatia et al.	6,659,350 B2	12/2003	Schwartz et al.
6,177,926 B1	1/2001	Kunert	D484,878 S	1/2004	Wightman et al.
6,186,400 B1	2/2001	Dvorkis et al.	6,698,656 B2	3/2004	Parker et al.
6,195,053 B1	2/2001	Kodukula et al.	6,719,201 B2	4/2004	Tamburrini et al.
D439,898 S	4/2001	Ober et al.	6,722,566 B1	4/2004	Drzymak et al.
6,216,951 B1	4/2001	Swift et al.	6,724,618 B1	4/2004	Jenkins et al.
6,234,395 B1	5/2001	Chadima, Jr. et al.	D490,421 S	5/2004	Everett et al.
6,243,258 B1	6/2001	Paratore	6,745,943 B2	6/2004	Schlieffers et al.
6,244,512 B1	6/2001	Koenck et al.	6,752,319 B2	6/2004	Ehrhart et al.
6,244,513 B1	6/2001	Schlieffers et al.	D492,681 S	7/2004	Ahearn et al.
6,259,044 B1	7/2001	Paratore et al.	D493,802 S	8/2004	Berentzen et al.
6,266,685 B1	7/2001	Danielson et al.	D494,179 S	8/2004	Berentzen et al.
D446,524 S	8/2001	Bontly et al.	D494,584 S	8/2004	Schlieffers et al.
6,308,892 B1	10/2001	Swartz et al.	D494,593 S	8/2004	Wulff et al.
6,321,990 B1	11/2001	Giordano et al.	6,783,072 B2	8/2004	Acosta et al.
6,330,975 B1	12/2001	Bunte et al.	D496,366 S	9/2004	Croley et al.
D453,757 S	2/2002	Maio et al.	D497,165 S	10/2004	Borsboom
D454,563 S	3/2002	Brown et al.	6,812,862 B1	11/2004	Dempsey
RE37,635 E	4/2002	Clark et al.	6,814,290 B2	11/2004	Longacre
6,373,579 B1	4/2002	Ober et al.	6,824,060 B2	11/2004	Barkan
6,375,075 B1	4/2002	Ackley et al.	6,832,725 B2	12/2004	Gardiner et al.
6,375,076 B1	4/2002	Massieu et al.	6,834,807 B2	12/2004	Ehrhart et al.
D456,806 S	5/2002	Ahearn et al.	D501,007 S	1/2005	Heng
6,394,355 B1	5/2002	Schlieffers et al.	6,856,506 B2	2/2005	Doherty et al.
D458,264 S	6/2002	MacGregor	6,870,730 B2	3/2005	Riddiford
D458,265 S	6/2002	Fitch	D504,472 S	4/2005	Liu et al.
D458,910 S	6/2002	Kita	6,882,524 B2	4/2005	Ulla et al.
6,405,929 B1	6/2002	Ehrhart et al.	6,883,713 B2	4/2005	Schlieffers et al.
6,409,341 B1	6/2002	Goldfain et al.	D504,686 S	5/2005	Hsu Li
6,410,931 B1	6/2002	Dvorkis et al.	D505,423 S	5/2005	Ahearn et al.
D459,728 S	7/2002	Roberts et al.	6,899,273 B2	5/2005	Hussey et al.
D460,075 S	7/2002	Destefano et al.	D506,195 S	6/2005	Leveridge et al.
6,412,697 B1	7/2002	Bridgelall et al.	6,909,424 B2	6/2005	Liebenow et al.
6,412,698 B2	7/2002	Bontly	6,922,557 B2	7/2005	Fantaske
6,419,157 B1	7/2002	Ehrhart et al.	D509,788 S	9/2005	Schlieffers et al.
D461,189 S	8/2002	Bontly et al.	D509,829 S	9/2005	MacGregor
D462,074 S	8/2002	Kim	6,947,612 B2	9/2005	Helms et al.
6,431,451 B1	8/2002	Koenck et al.	D523,468 S	6/2006	Umeda et al.
6,435,411 B1	8/2002	Massieu et al.	D528,146 S	9/2006	Fitch
D462,357 S	9/2002	Jenkins	D533,552 S	12/2006	Kuroiwa et al.
D462,688 S	9/2002	Schieffers et al.	D537,441 S	2/2007	Bruker
D462,964 S	9/2002	Croley et al.	D540,705 S *	4/2007	Shubin D10/65
D463,421 S	9/2002	Lanzaro et al.	7,236,356 B2	6/2007	Ulla et al.
D463,425 S	9/2002	Jenkins	D548,207 S *	8/2007	Hsiung D14/129
6,473,519 B1	10/2002	Pidhirny et al.	D548,245 S	8/2007	Liang et al.
D466,511 S	12/2002	Croley et al.	D551,189 S	9/2007	Chu
D467,918 S	12/2002	Fitch et al.	D560,369 S	1/2008	Chiang
6,491,223 B1	12/2002	Longacre, Jr. et al.	D561,713 S	2/2008	Chu
6,497,368 B1	12/2002	Friend et al.	D572,675 S *	7/2008	Qiu et al. D14/126
D469,433 S	1/2003	Liao	D595,290 S	6/2009	Takemasa
D469,434 S	1/2003	Lin	D595,291 S	6/2009	Takemasa
6,502,754 B1	1/2003	Bhatia et al.	D598,015 S	8/2009	Busri
D470,145 S	2/2003	Schlieffers et al.	D601,139 S *	9/2009	Huang et al. D14/341
D473,872 S	4/2003	Ausems et al.	D601,557 S	10/2009	Wesolek
6,543,695 B1	4/2003	Hamilton et al.	D602,933 S	10/2009	Huang et al.
6,550,679 B2	4/2003	Hennick et al.	D608,358 S *	1/2010	Ong D14/345
6,561,428 B2	5/2003	Meier et al.	2004/0140966 A1	7/2004	Marggraff et al.
6,568,596 B1	5/2003	Shaw	2005/0200608 A1	9/2005	Ulla et al.
D476,007 S	6/2003	Crawford et al.	2005/0213297 A1	9/2005	Ulla et al.
D476,330 S	6/2003	Ahearn et al.	2005/0213298 A1	9/2005	Doherty et al.
6,578,767 B1	6/2003	Barkan et al.	2006/0017706 A1	1/2006	Cutherell et al.
6,592,040 B2	7/2003	Barkan et al.	2006/0044288 A1	3/2006	Nakamura et al.
D479,237 S	9/2003	Juan	2006/0221565 A1	10/2006	Doherty et al.
D480,730 S	10/2003	Doherty et al.			
6,641,046 B2	11/2003	Durbin			

* cited by examiner

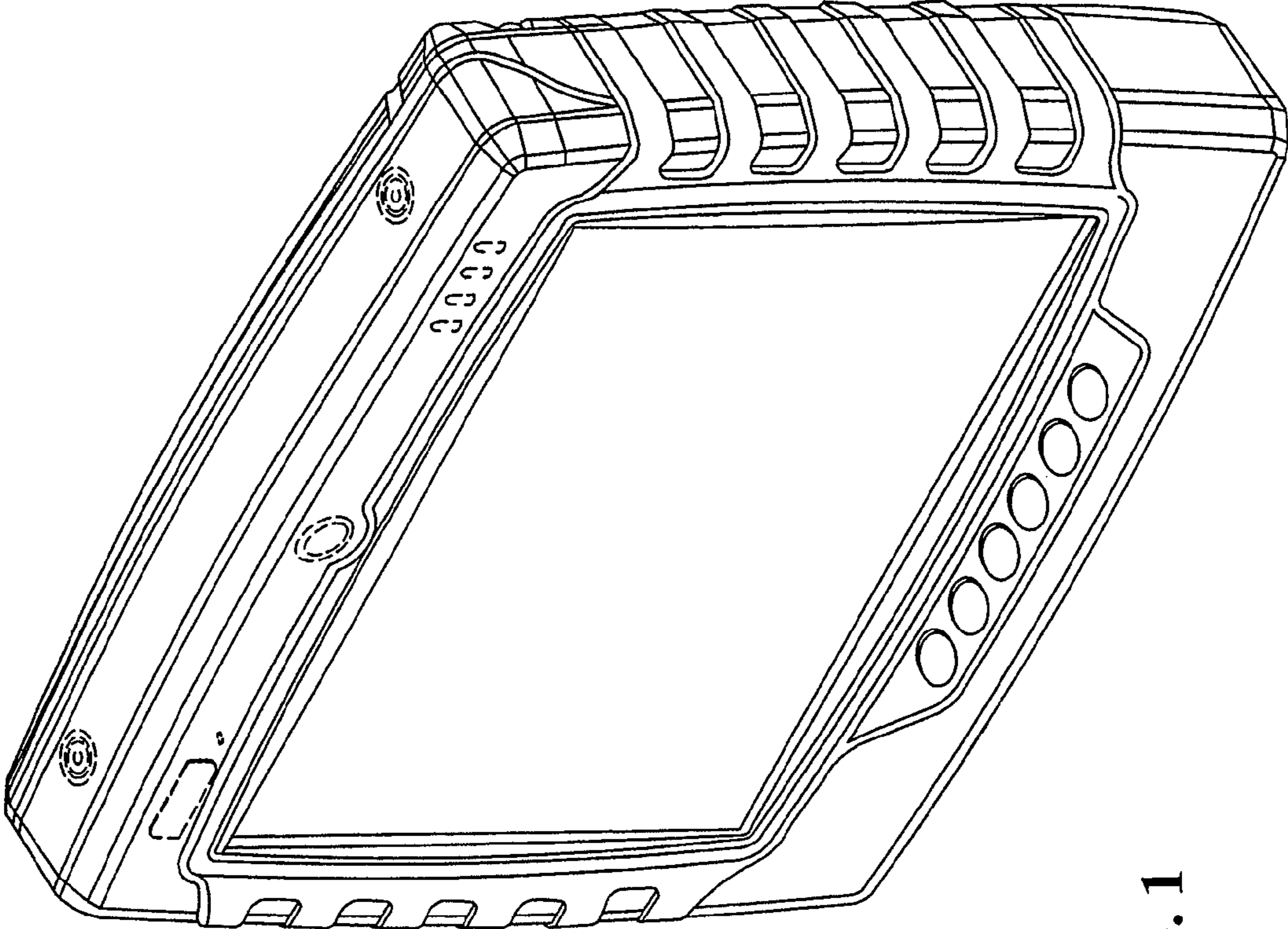


FIG. 1

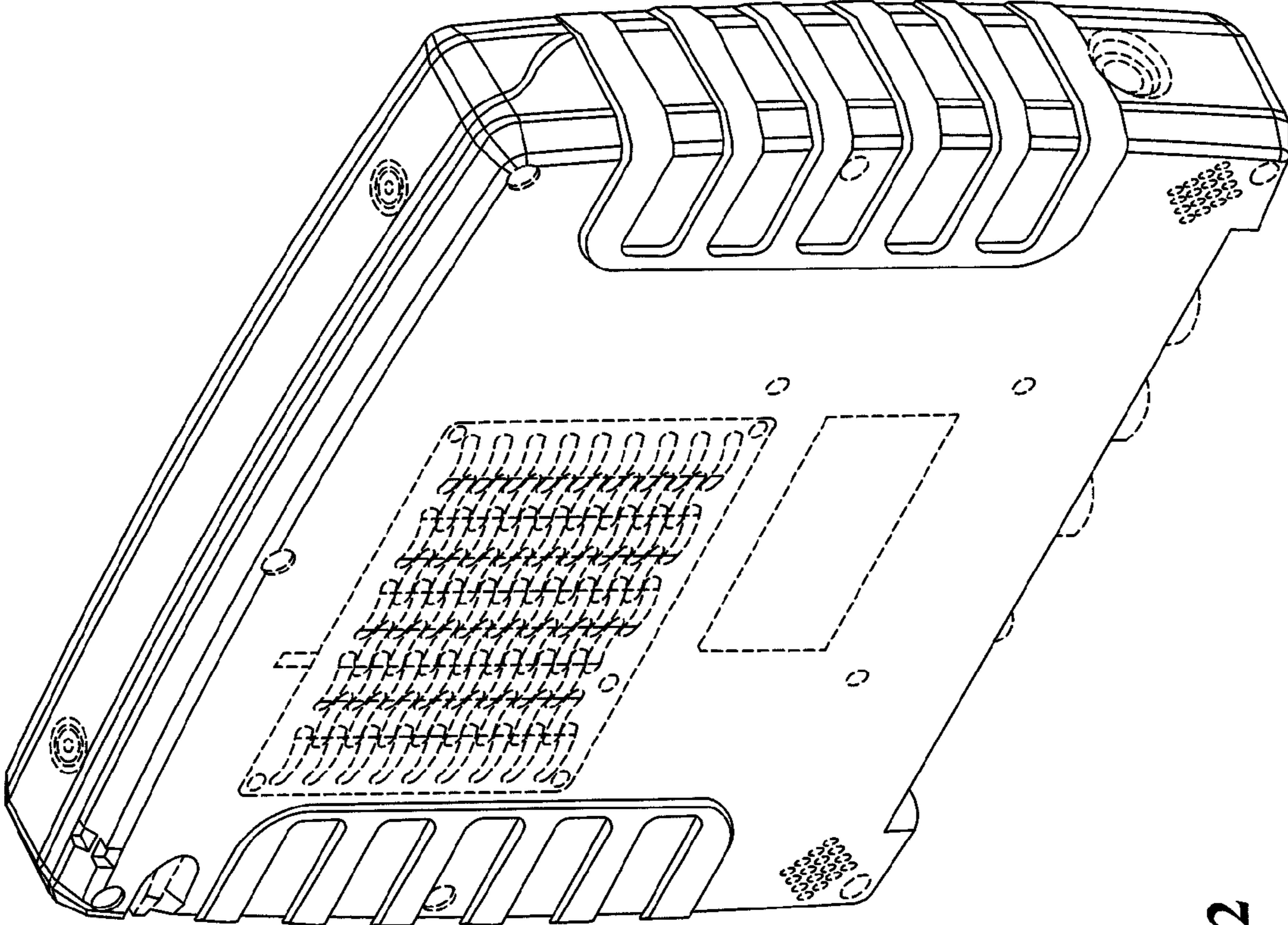


FIG. 2

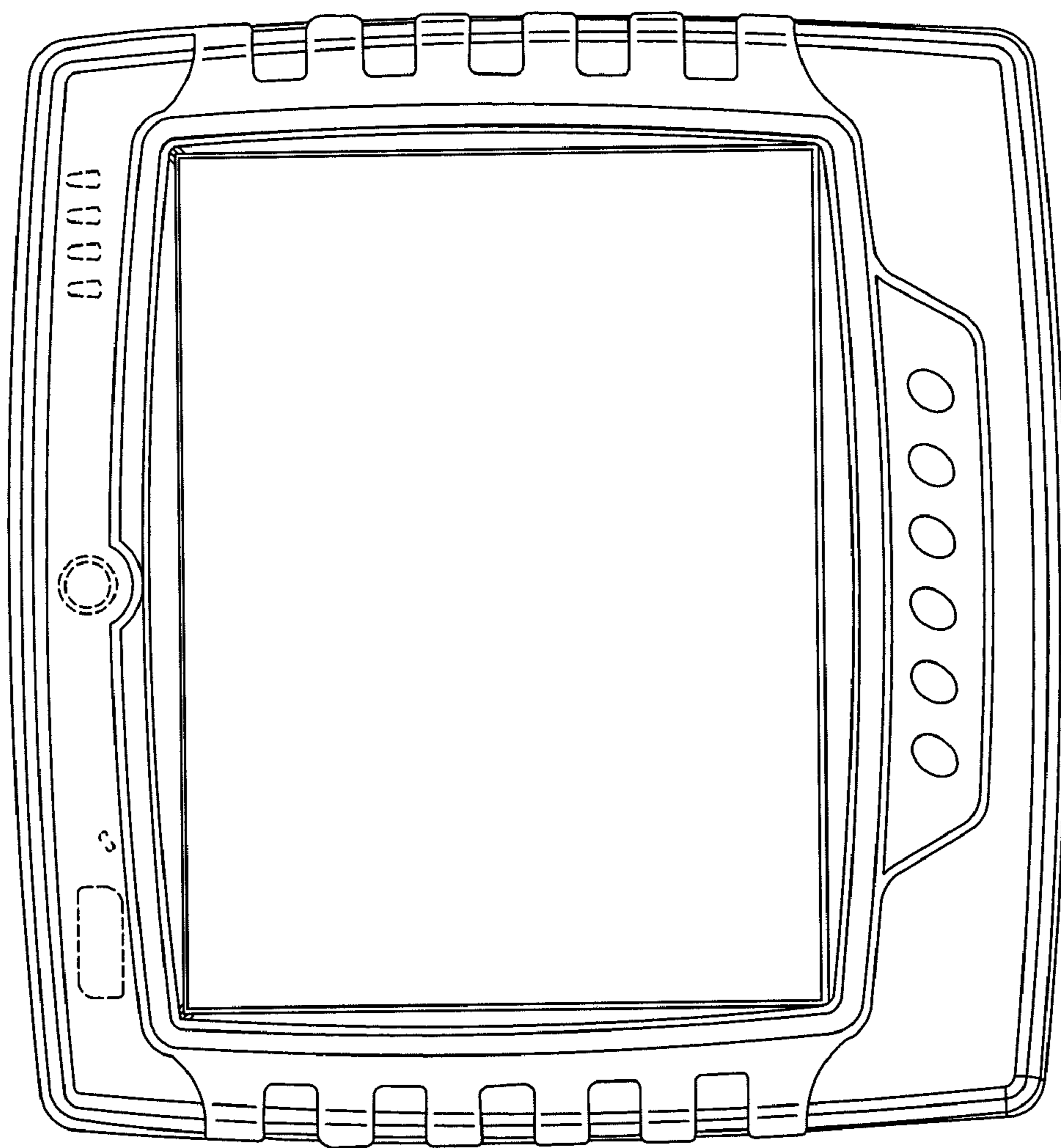


FIG. 3

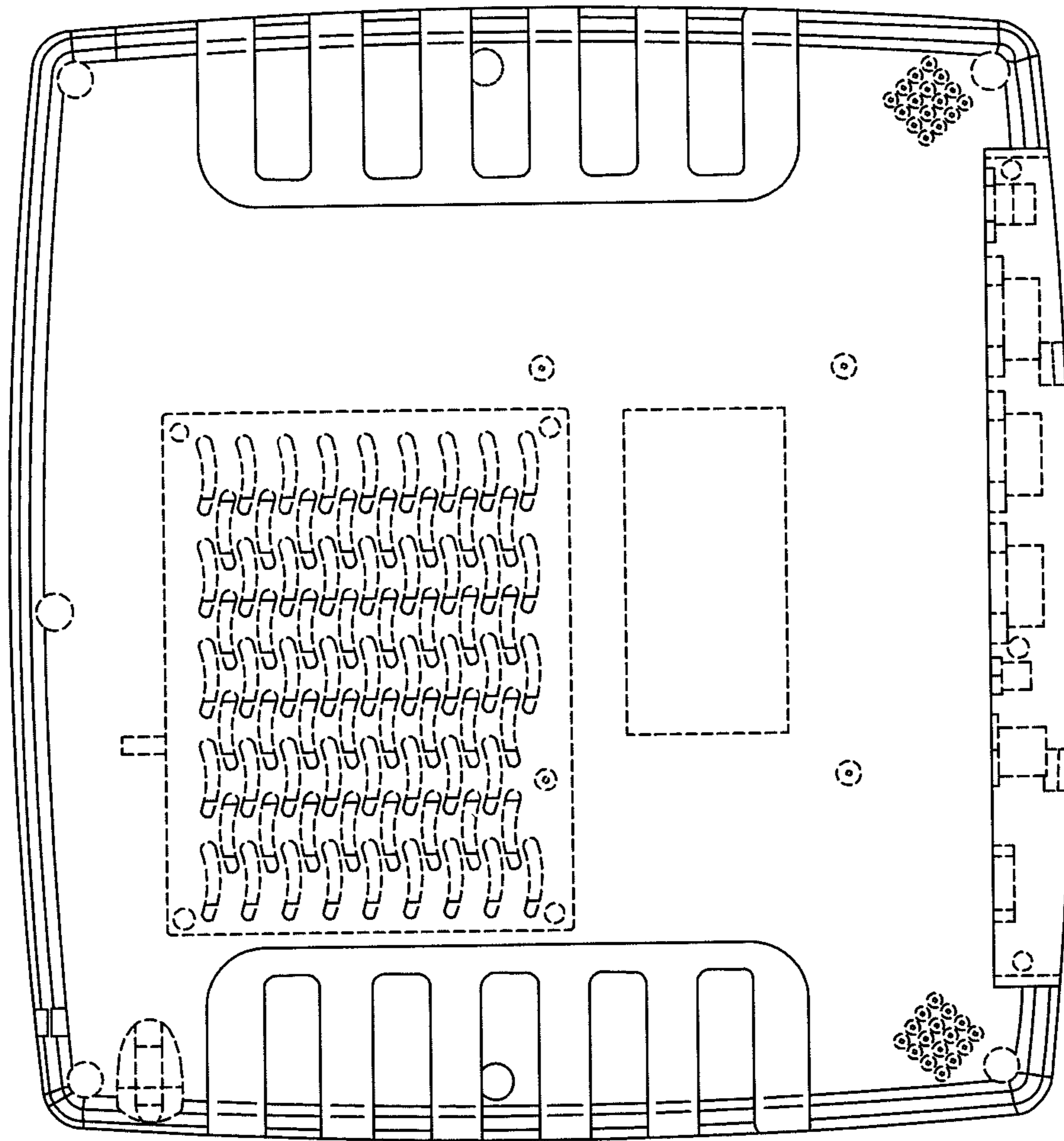


FIG. 4

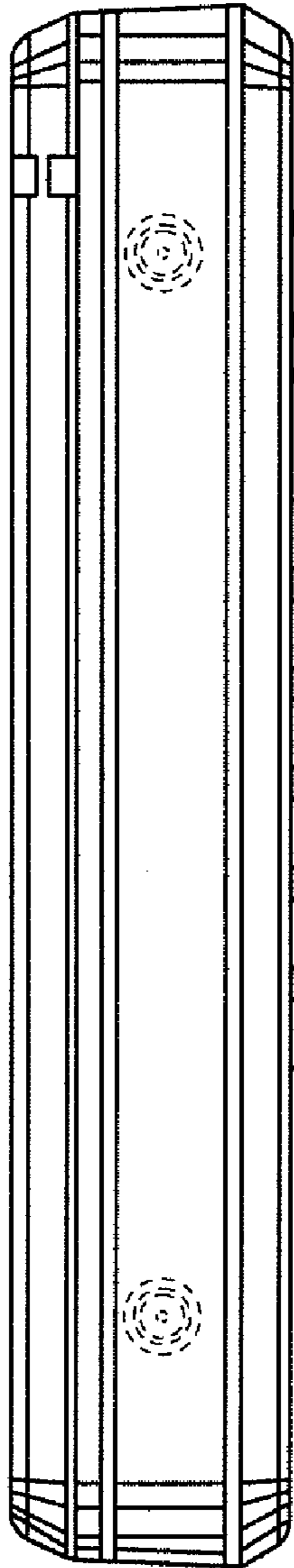


FIG. 5

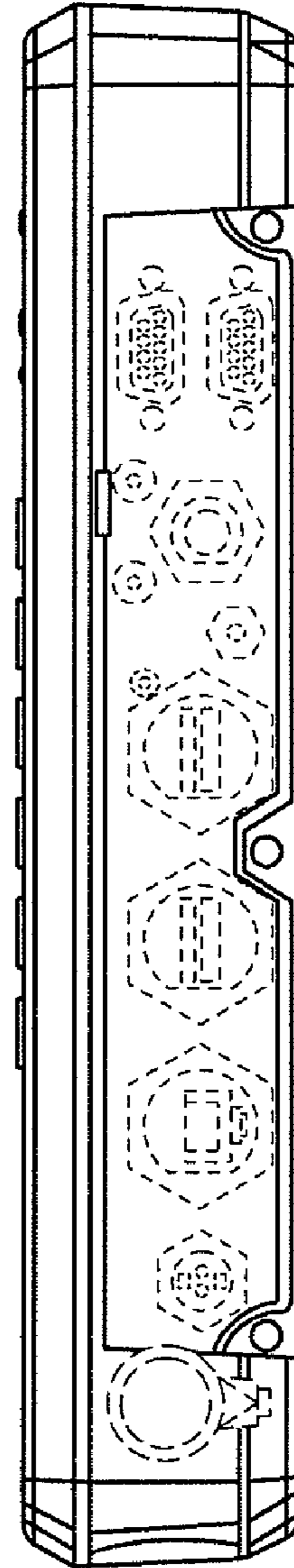


FIG. 6

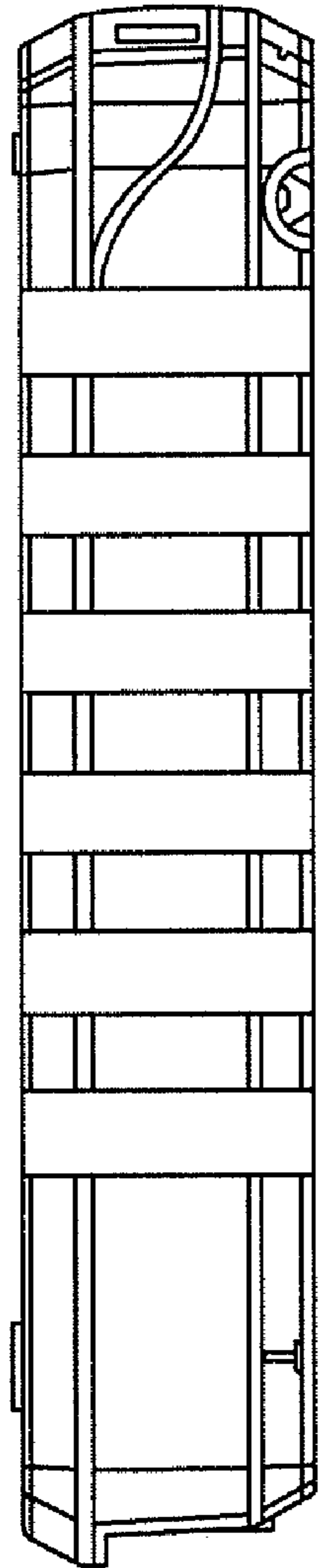


FIG. 7

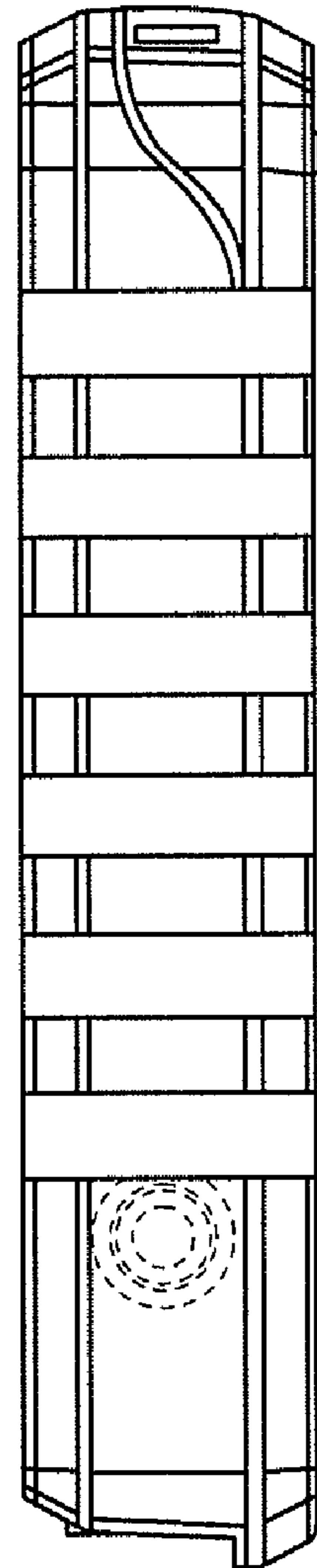


FIG. 8