



US00D654498S

(12) **United States Design Patent**
Hwang et al.

(10) **Patent No.:** **US D654,498 S**
(45) **Date of Patent:** **** Feb. 21, 2012**

(54) **TABLET COMPUTER DEVICE**

(75) Inventors: **Steven Hwang**, San Francisco, CA (US);
Christopher C. Jones, San Francisco,
CA (US)

(73) Assignee: **Cisco Technology, Inc.**, San Jose, CA
(US)

(**) Term: **14 Years**

(21) Appl. No.: **29/391,983**

(22) Filed: **May 16, 2011**

Related U.S. Application Data

(62) Division of application No. 29/364,777, filed on Jun.
28, 2010, now Pat. No. Des. 639,804.

(51) **LOC (9) Cl.** **14-02**

(52) **U.S. Cl.** **D14/341**

(58) **Field of Classification Search** D14/341-347,
D14/137, 138, 138.1, 138 AA, 138 R, 138 AB,
D14/138 G, 138 A, 496, 426, 429, 129, 130,
D14/420, 439-441, 448, 125, 147, 156, 218,
D14/250, 336, 203.1, 203.3, 203.4, 203.7,
D14/315, 388-390; D21/324, 329, 330;
D10/65, 104; D18/6-7; 345/169, 901, 905,
345/156, 157, 168, 173; 361/680, 686, 679.27,
361/679.3; 379/433.04, 433.07, 433.11,
379/916, 433.01, 433.06

See application file for complete search history.

(56) **References Cited**

U.S. PATENT DOCUMENTS

D438,201 S 2/2001 Ogawa et al.
D490,420 S * 5/2004 Solomon et al. D14/341
D492,698 S 7/2004 Tsai
D518,007 S * 3/2006 Peng D14/129
D541,799 S * 5/2007 Andre et al. D14/375
D547,282 S 7/2007 Hsiung

D548,207 S 8/2007 Hsiung
D551,196 S 9/2007 Hsiung
D554,086 S 10/2007 Hsiung
D554,640 S * 11/2007 Ponnert et al. D14/388
D560,231 S * 1/2008 Lee D14/496
D571,560 S 6/2008 Liu et al.
D572,213 S 7/2008 Shih
D579,930 S 11/2008 Maskatia
D581,379 S 11/2008 Chiu
D582,875 S 12/2008 Haspil et al.
D600,690 S * 9/2009 Miyaji D14/341
D606,071 S * 12/2009 Wu et al. D14/336

(Continued)

Primary Examiner — Barbara Fox

(74) *Attorney, Agent, or Firm* — Edell, Shapiro & Finnan,
LLC

(57) **CLAIM**

The ornamental design for a tablet computer device, as shown
and described.

DESCRIPTION

FIG. 1 is a front perspective view of a tablet computer device
according to the new design;

FIG. 2 is a rear perspective view of the tablet computer device
of FIG. 1;

FIG. 3 is a front view of the tablet computer device of FIG. 1;

FIG. 4 is a rear view of the tablet computer device of FIG. 1;

FIG. 5 is a top view of the tablet computer device of FIG. 1;

FIG. 6 is a bottom view of the table computer device of FIG.

1.

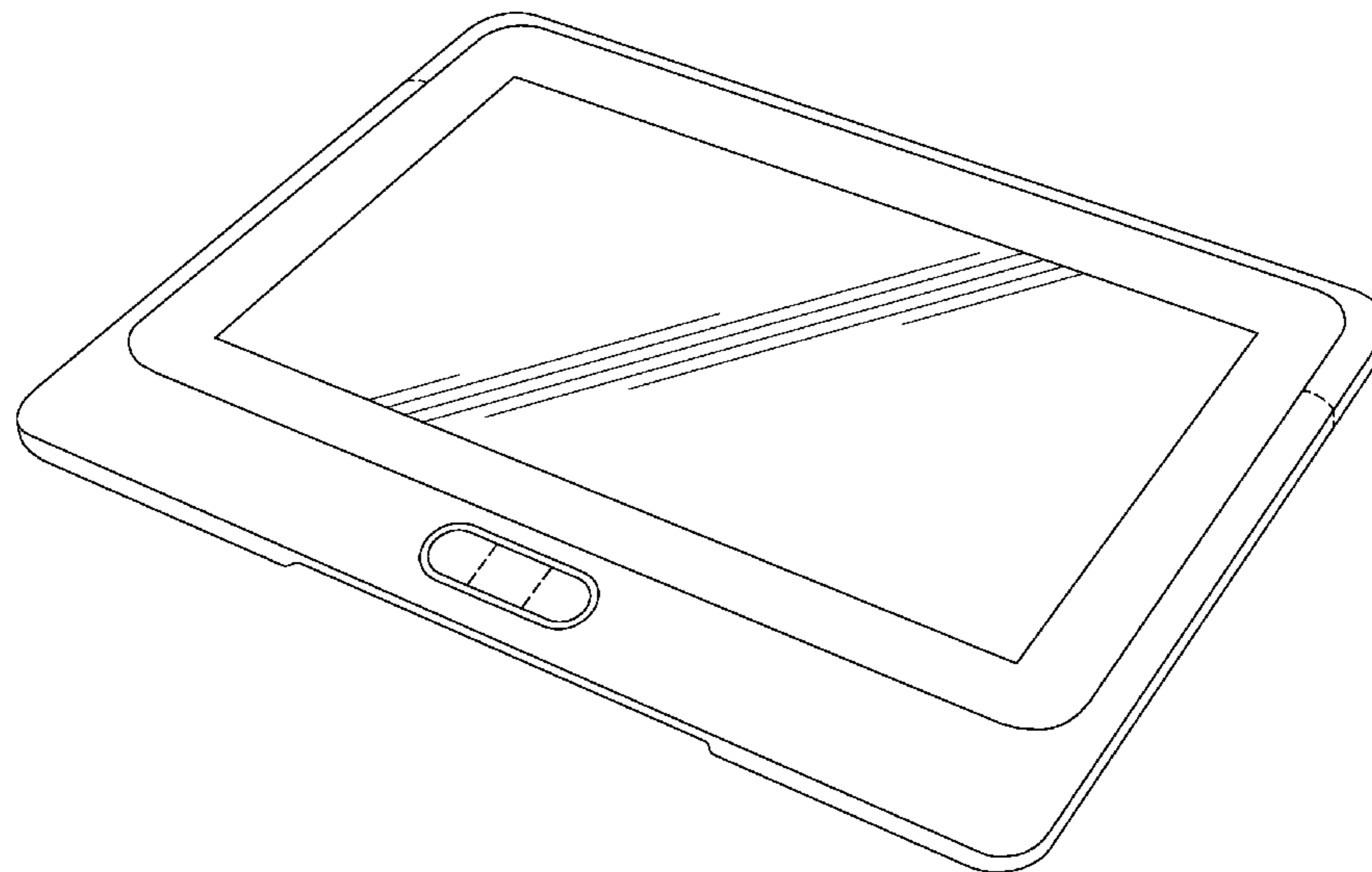
FIG. 7 is a right side view of the tablet computer device of
FIG. 1; and,

FIG. 8 is a left side view of the tablet computer device of FIG.

1.

The broken lines in the drawings are for the purpose of illus-
trating unclaimed portions of the tablet computer device and
form no part of the claimed design.

1 Claim, 8 Drawing Sheets



US D654,498 S

Page 2

U.S. PATENT DOCUMENTS

D611,364 S *	3/2010	Lenz et al.	D10/65	D636,391 S *	4/2011	Shen et al.	D14/341
D611,500 S *	3/2010	Byle et al.	D14/496	D636,769 S *	4/2011	Wood et al.	D14/341
D614,182 S	4/2010	Busri		D638,014 S *	5/2011	Chong et al.	D14/383
D615,527 S	5/2010	Hwang		D638,015 S *	5/2011	Chong et al.	D14/383
D618,192 S	6/2010	Huang et al.		D639,804 S *	6/2011	Hwang et al.	D14/341
D619,553 S	7/2010	Katsumata		D640,252 S *	6/2011	Kuroda et al.	D14/307
D621,826 S *	8/2010	Cheng et al.	D14/327	D641,018 S *	7/2011	Lee et al.	D14/341
D621,827 S *	8/2010	Cheng et al.	D14/327	D644,538 S *	9/2011	Lenz et al.	D10/10
D624,542 S	9/2010	Tang		D645,036 S *	9/2011	Jones et al.	D14/341
D625,307 S *	10/2010	Cheng	D14/341	D645,435 S *	9/2011	Kim et al.	D14/138 G

* cited by examiner

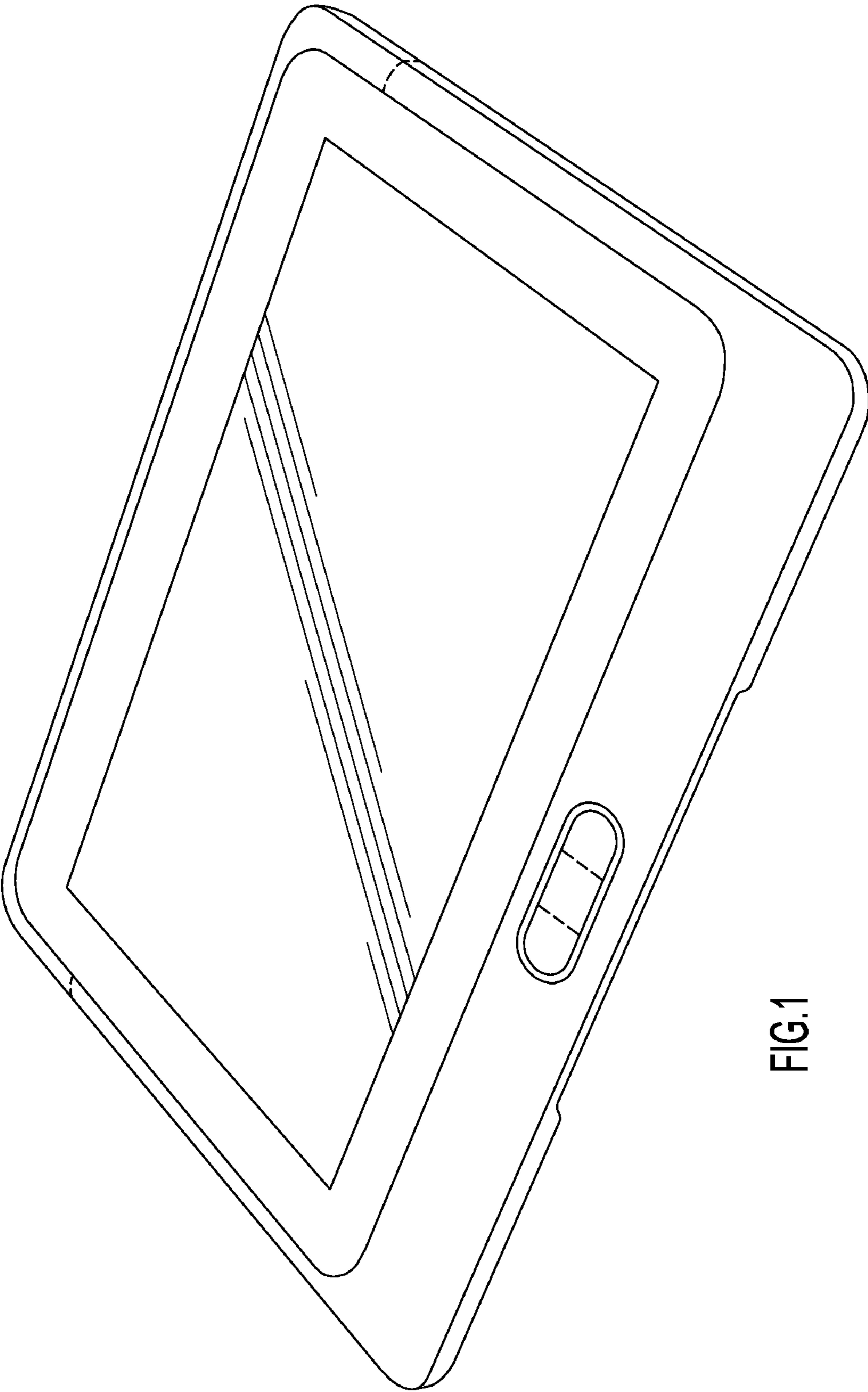


FIG.1

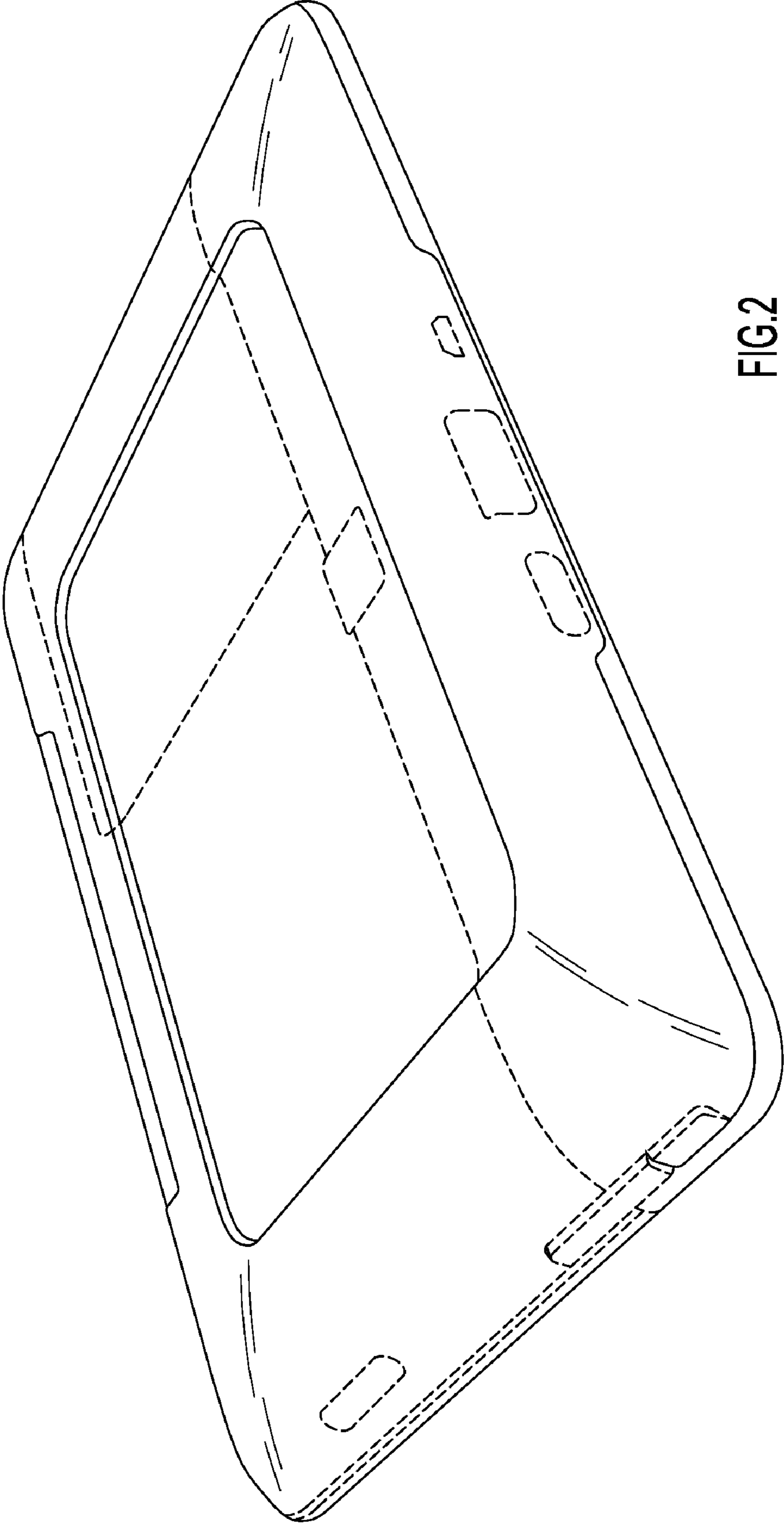


FIG.2

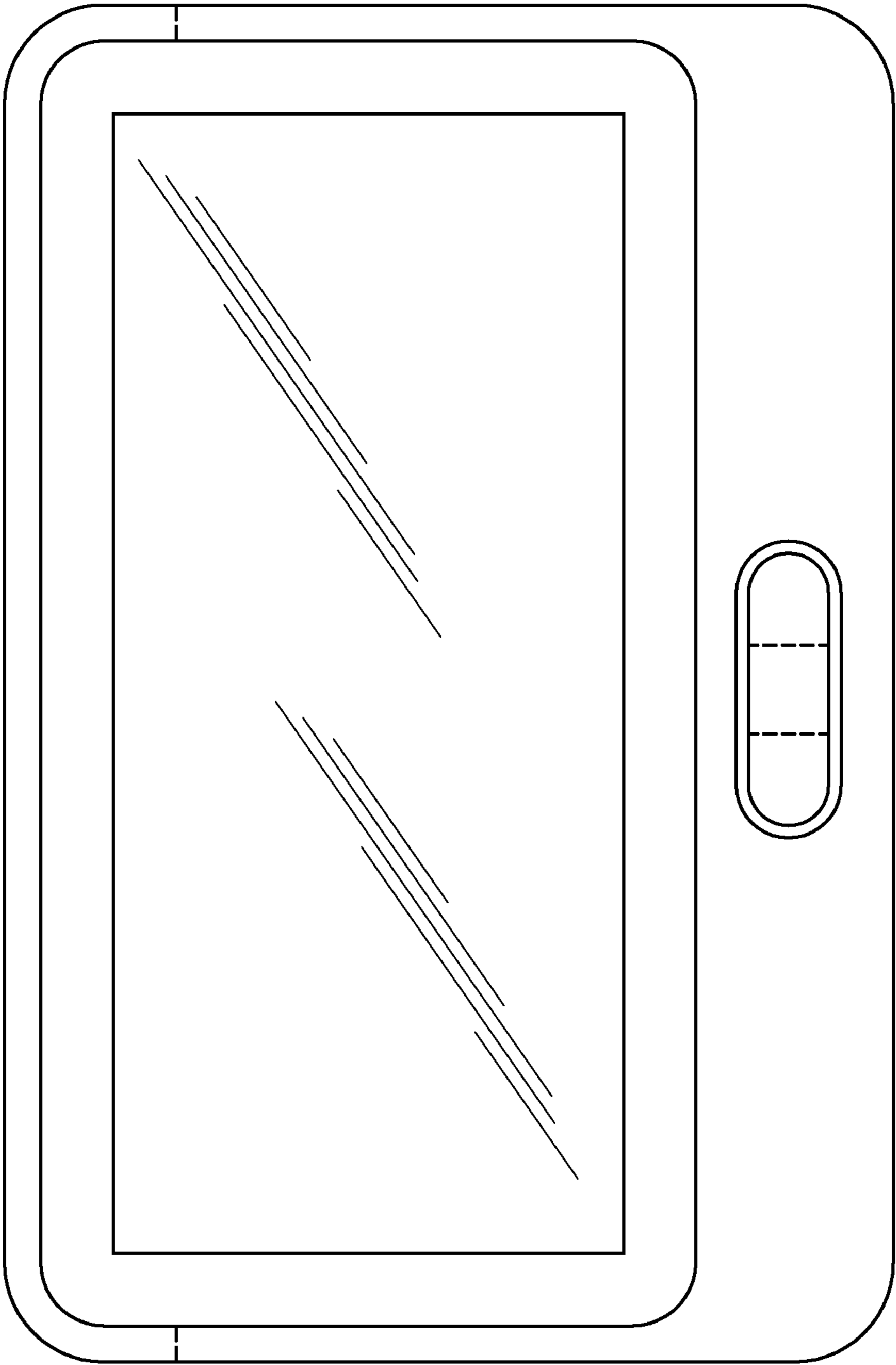


FIG.3

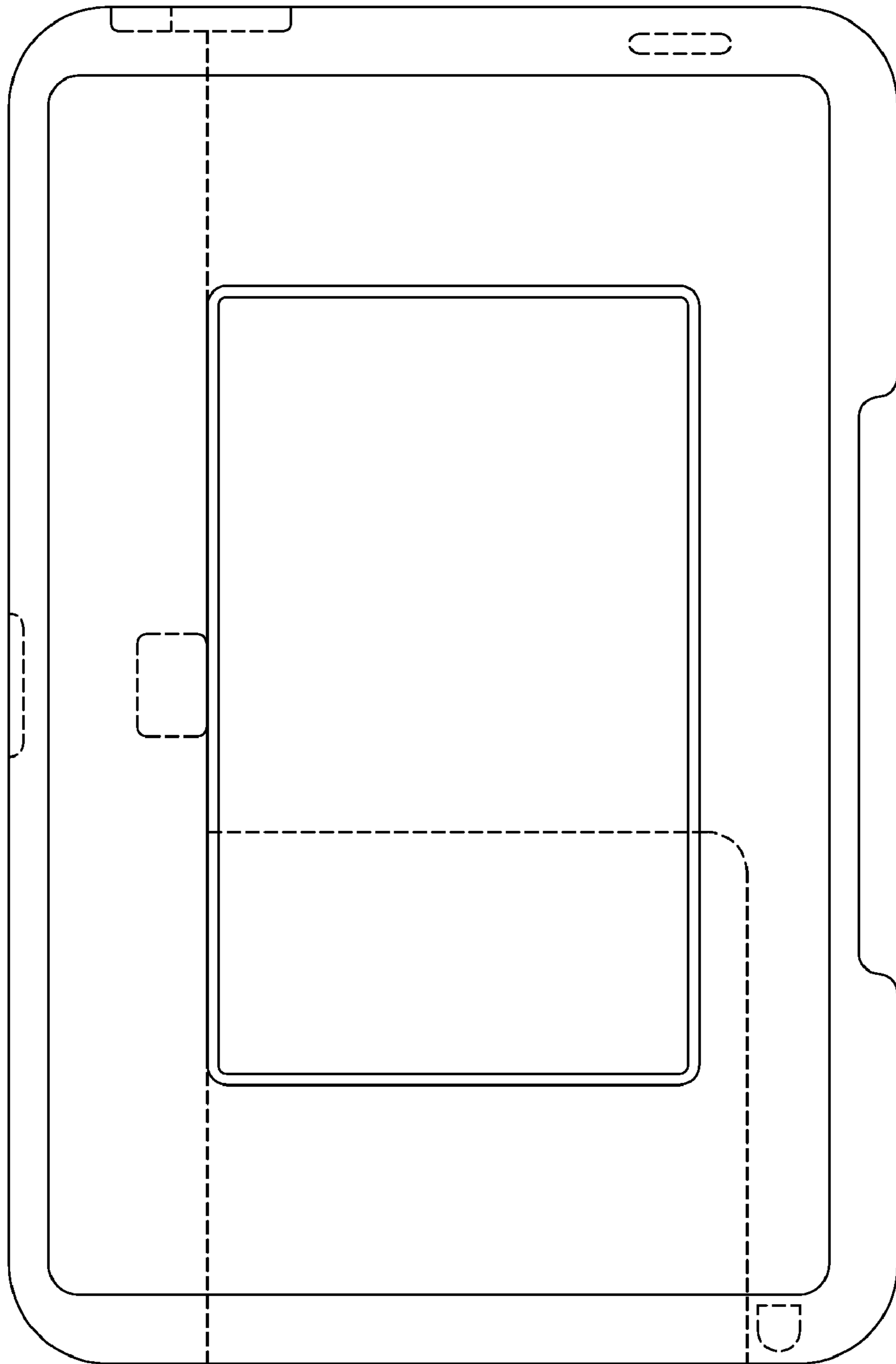


FIG. 4

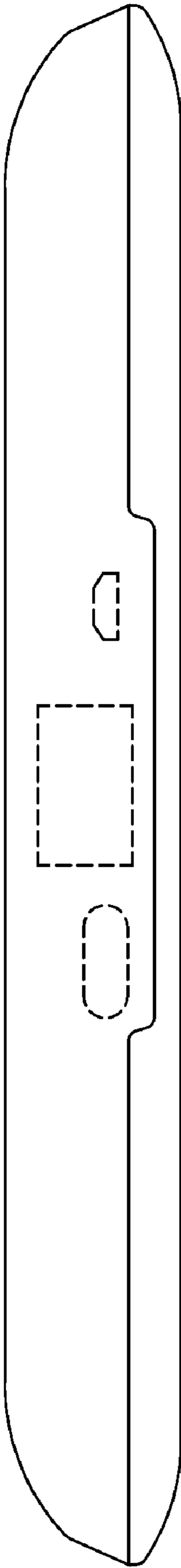


FIG.5

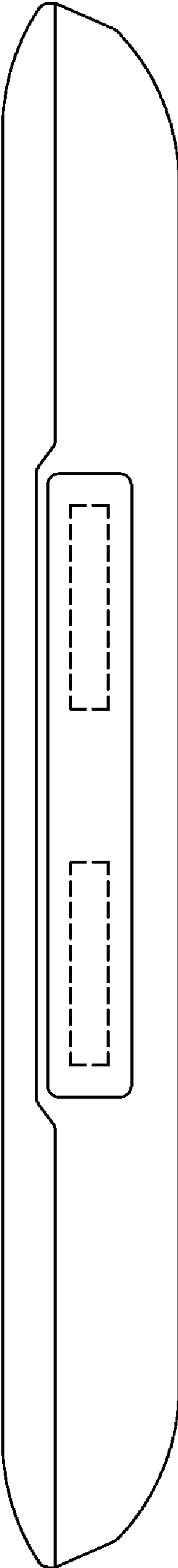


FIG.6

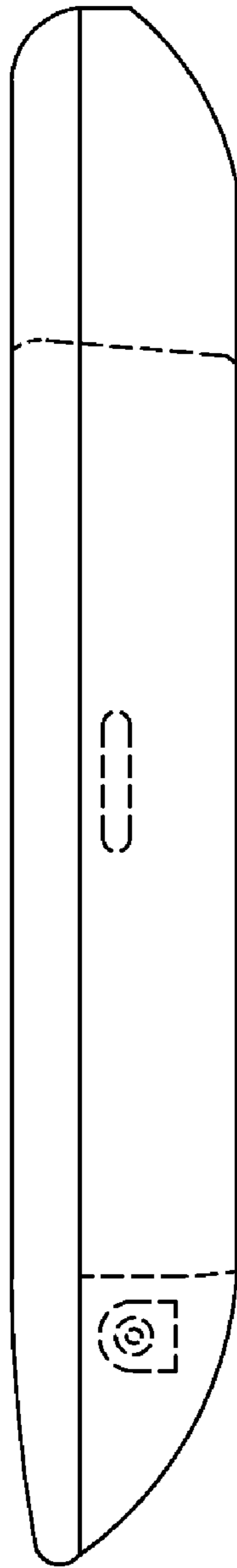


FIG.7

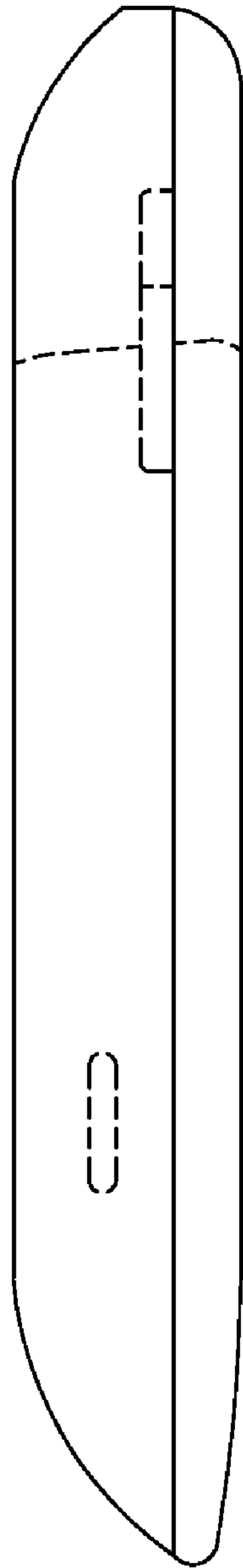


FIG.8