



US00D654496S

(12) **United States Design Patent**  
**Chen et al.**

(10) **Patent No.:** **US D654,496 S**

(45) **Date of Patent:** **\*\* Feb. 21, 2012**

(54) **COMPUTER ENCLOSURE**

(75) Inventors: **Yun-Lung Chen**, Taipei Hsien (TW);  
**Hong-Jin Wu**, Shenzhen (CN); **Qun Wang**, Shenzhen (CN)

(73) Assignee: **Hon Hai Precision Industry Co., Ltd.**,  
Tu-Cheng, New Taipei (TW)

(\*\*) Term: **14 Years**

(21) Appl. No.: **29/381,767**

(22) Filed: **Dec. 22, 2010**

(51) **LOC (9) Cl.** ..... **14-02**

(52) **U.S. Cl.** ..... **D14/314**

(58) **Field of Classification Search** ..... D14/300–303,  
D14/308, 314, 349, 351, 337, 355, 172, 218,  
D14/240; D13/184, 199; D6/432, 436; D9/414,  
D9/432; 312/223.1–223.2; 361/679.55,  
361/679.6

See application file for complete search history.

(56) **References Cited**

**U.S. PATENT DOCUMENTS**

D186,945 S *	12/1959	Smith	.....	D13/107
D223,096 S *	3/1972	Gilson	.....	D14/365
D265,989 S *	8/1982	Harris et al.	.....	D13/184
D387,727 S *	12/1997	Settsu et al.	.....	D13/103
5,777,854 A *	7/1998	Welch et al.	.....	361/800
D488,798 S *	4/2004	Ishii et al.	.....	D14/168
D508,916 S *	8/2005	Lee	.....	D14/447
7,099,150 B2 *	8/2006	Lee	.....	361/679.02
D530,341 S *	10/2006	Maruyama et al.	.....	D14/356
D539,264 S *	3/2007	Kim et al.	.....	D14/188
D541,272 S *	4/2007	Wang	.....	D14/356
D552,549 S *	10/2007	Hsu	.....	D13/133
D555,169 S *	11/2007	Shimizu et al.	.....	D14/496
D556,199 S *	11/2007	Song	.....	D14/357
D563,334 S *	3/2008	Wang	.....	D14/125

D566,710 S *	4/2008	Chun et al.	.....	D14/358
D574,834 S *	8/2008	Chen	.....	D14/432
D589,914 S *	4/2009	Wang et al.	.....	D14/125
D593,082 S *	5/2009	Jeon	.....	D14/240
D604,254 S *	11/2009	Lanfear et al.	.....	D13/162
D634,296 S *	3/2011	Tani et al.	.....	D14/149
D641,019 S *	7/2011	Chen et al.	.....	D14/356

**OTHER PUBLICATIONS**

DataStor Technology Co. Ltd @ Global Sources Online—Supplier Homepage, [online], [retrieved on Nov. 14, 2006]. Retrieved from the Internet <URL: [http://datastor.manufacturerglobalsources.com/si/6008800307...Compact-Case-for/product\\_id-1001596989/action-GetProduct.htm](http://datastor.manufacturerglobalsources.com/si/6008800307...Compact-Case-for/product_id-1001596989/action-GetProduct.htm)>.\*

LG GSA-5120D Enlarge Image—LG Global Site, [online], [retrieved on Nov. 14, 2006]. Retrieved from the Internet <URL: <http://www.lge.com/products/model/enlarge/gsa-5169d.jhtml>>.\*

\* cited by examiner

*Primary Examiner* — Karen E Kearney

(74) *Attorney, Agent, or Firm* — Altis Law Group, Inc.

(57) **CLAIM**

The ornamental design for a computer enclosure, as shown and described.

**DESCRIPTION**

FIG. 1 is a perspective view of the computer enclosure showing our new design;

FIG. 2 is a front elevational view thereof;

FIG. 3 is a rear elevational view thereof;

FIG. 4 is a left side elevational view thereof;

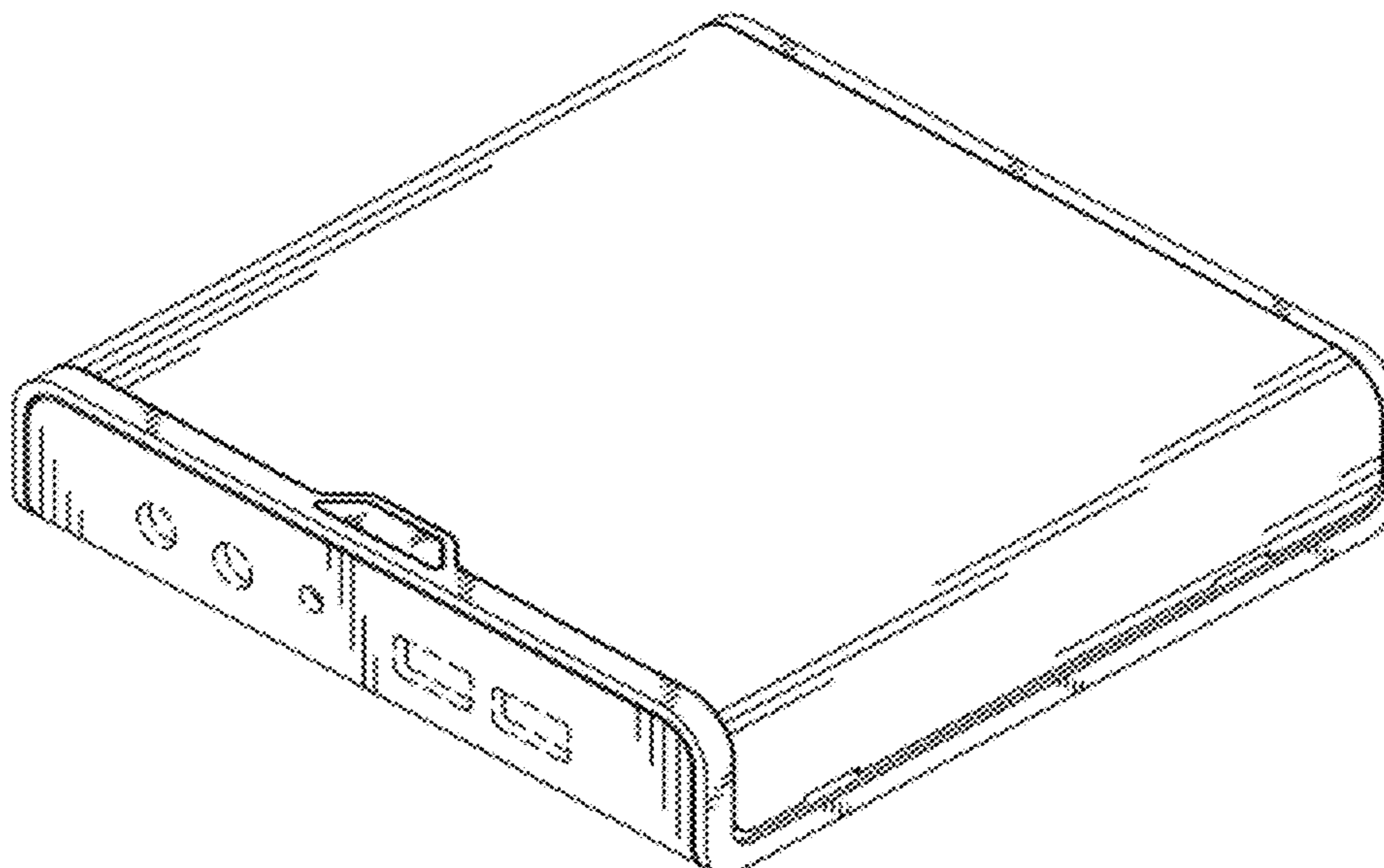
FIG. 5 is a right side elevational view thereof;

FIG. 6 is a top plan view thereof; and,

FIG. 7 is a bottom plan view thereof.

The broken lines showing of portions of the computer enclosure are for the purpose of illustrating environmental structure and form no part of the claimed design.

**1 Claim, 7 Drawing Sheets**



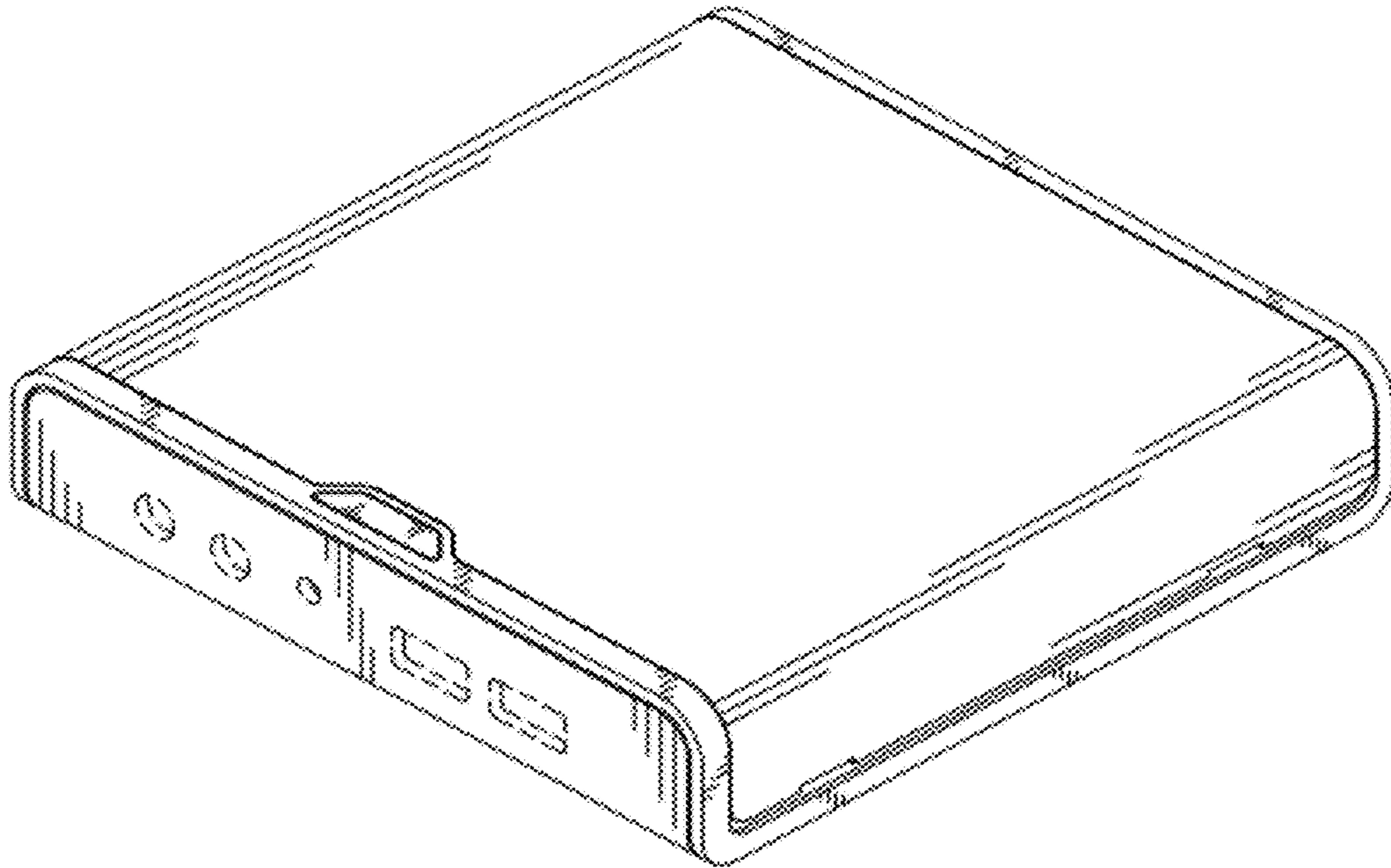


FIG. 1

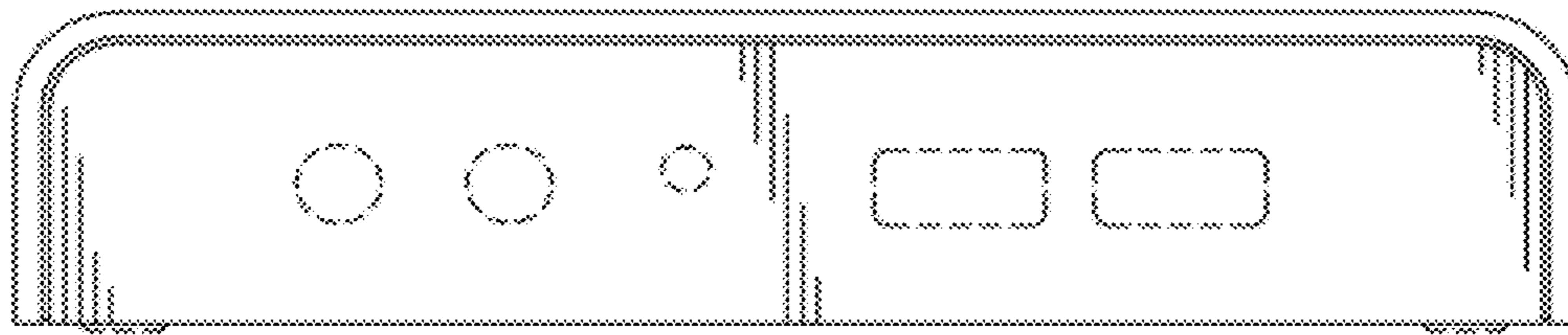


FIG. 2

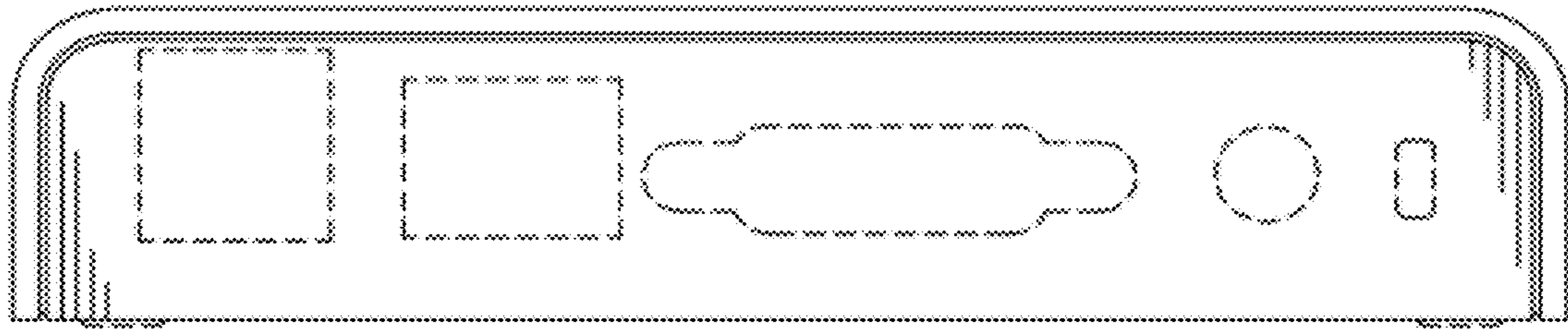


FIG. 3



FIG. 4



FIG. 5

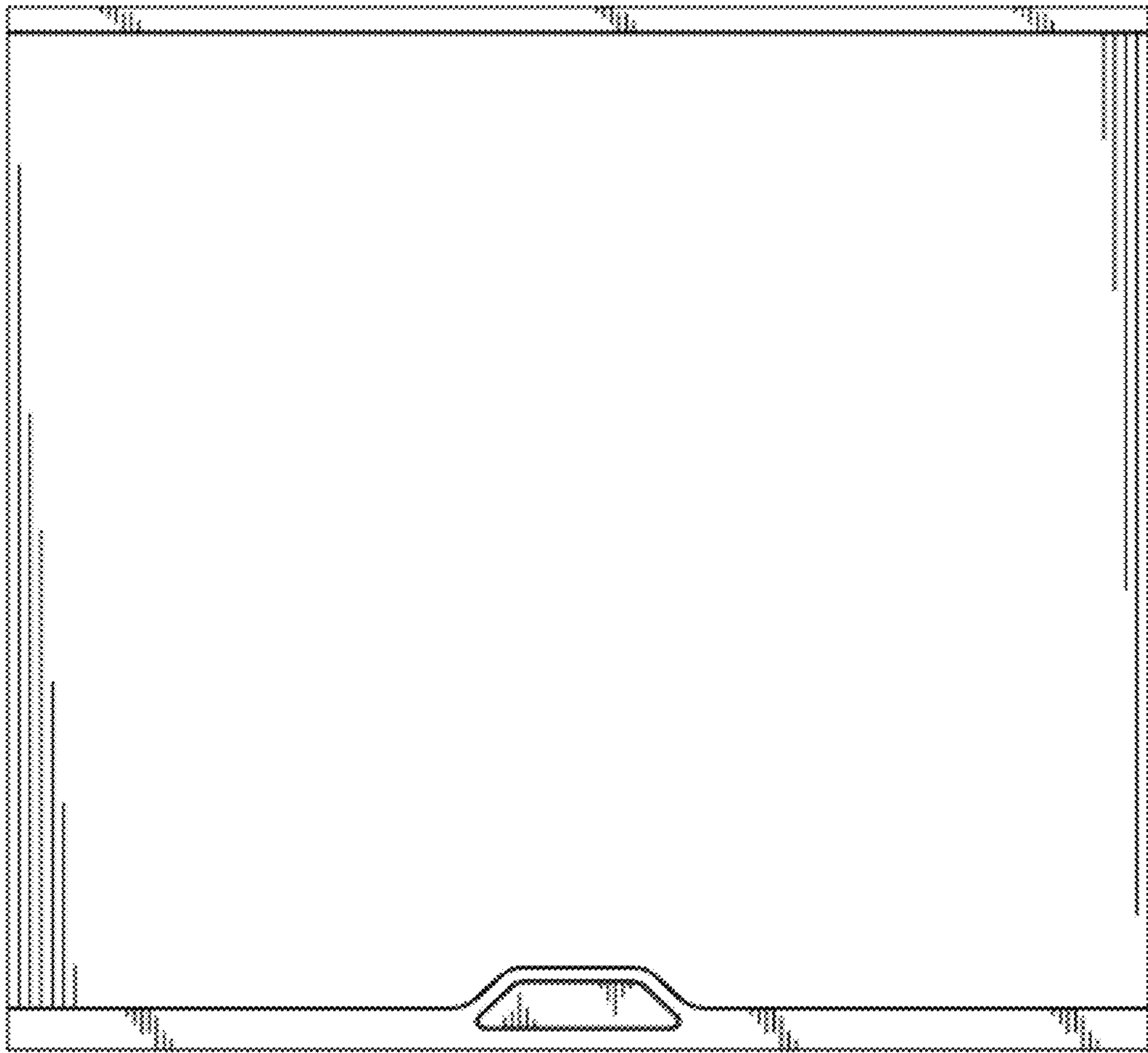


FIG. 6



FIG. 7