



US00D654495S

(12) **United States Design Patent**
Barron

(10) **Patent No.:** **US D654,495 S**

(45) **Date of Patent:** **** *Feb. 21, 2012**

(54) **COMPUTER**

(75) Inventor: **Peter B. Barron**, Tucker, GA (US)

(73) Assignee: **NCR Corporation**, Duluth, GA (US)

(*) Notice: This patent is subject to a terminal disclaimer.

(**) Term: **14 Years**

(21) Appl. No.: **29/364,537**

(22) Filed: **Jun. 24, 2010**

(51) **LOC (9) Cl.** **14-02**

(52) **U.S. Cl.** **D14/314; D14/349**

(58) **Field of Classification Search** D14/308,
D14/313, 349-361, 300, 388; D13/162,
D13/184, 199; 312/223.1-223.3; 360/99.01-99.12;
361/816, 679.6; 369/34.01, 36.01; 358/496
See application file for complete search history.

(56) **References Cited**

U.S. PATENT DOCUMENTS

D404,726 S * 1/1999 Murphy et al. D14/308
D412,889 S * 8/1999 Brunner D14/348
6,549,397 B1 * 4/2003 Diaz et al. 361/679.6

D520,994 S * 5/2006 Weiher et al. D14/356
D540,318 S * 4/2007 Wang D14/300
D566,668 S * 4/2008 Whittaker et al. D14/125
D577,693 S * 9/2008 King et al. D14/125
D590,389 S * 4/2009 Musgrave et al. D14/349
D609,704 S * 2/2010 Sin et al. D14/363
2003/0122457 A1 * 7/2003 Diaz et al. 312/223.2
2008/0062636 A1 * 3/2008 Liu 361/685

* cited by examiner

Primary Examiner — Freda Nunn

(74) *Attorney, Agent, or Firm* — Paul W. Martin

(57) **CLAIM**

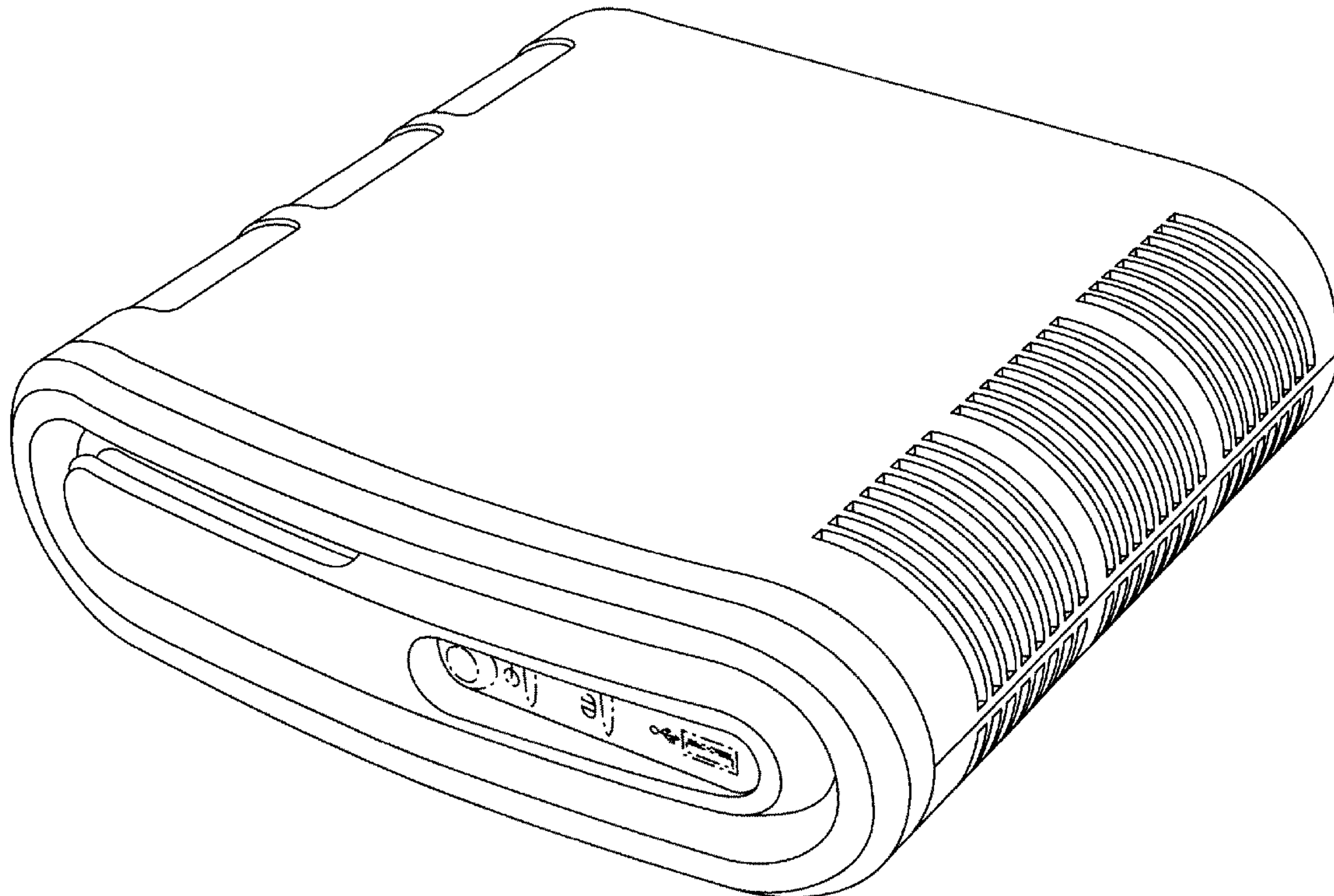
The ornamental design for a computer, as shown and described.

DESCRIPTION

FIG. 1 is a front view;
FIG. 2 is a rear view;
FIG. 3 is a right side view;
FIG. 4 is a left side view;
FIG. 5 is a top view; and,
FIG. 6 is a perspective view.

Broken lines shown in the drawings illustrate portions of the computer, and form no part of the claimed design.

1 Claim, 4 Drawing Sheets



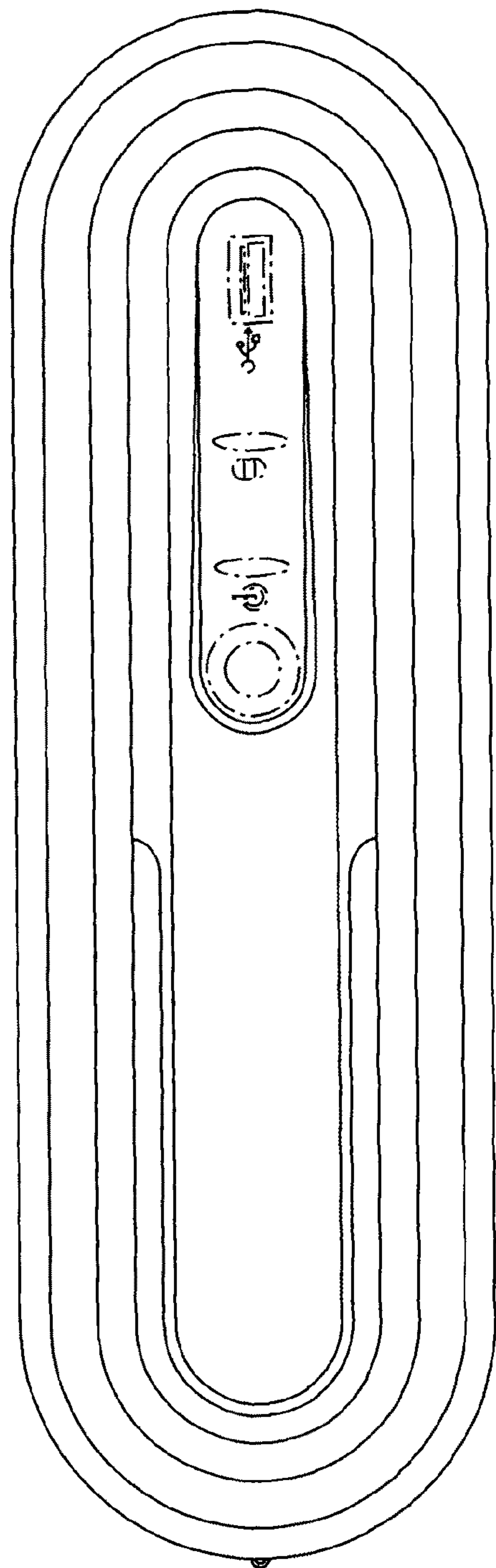


FIG. 1

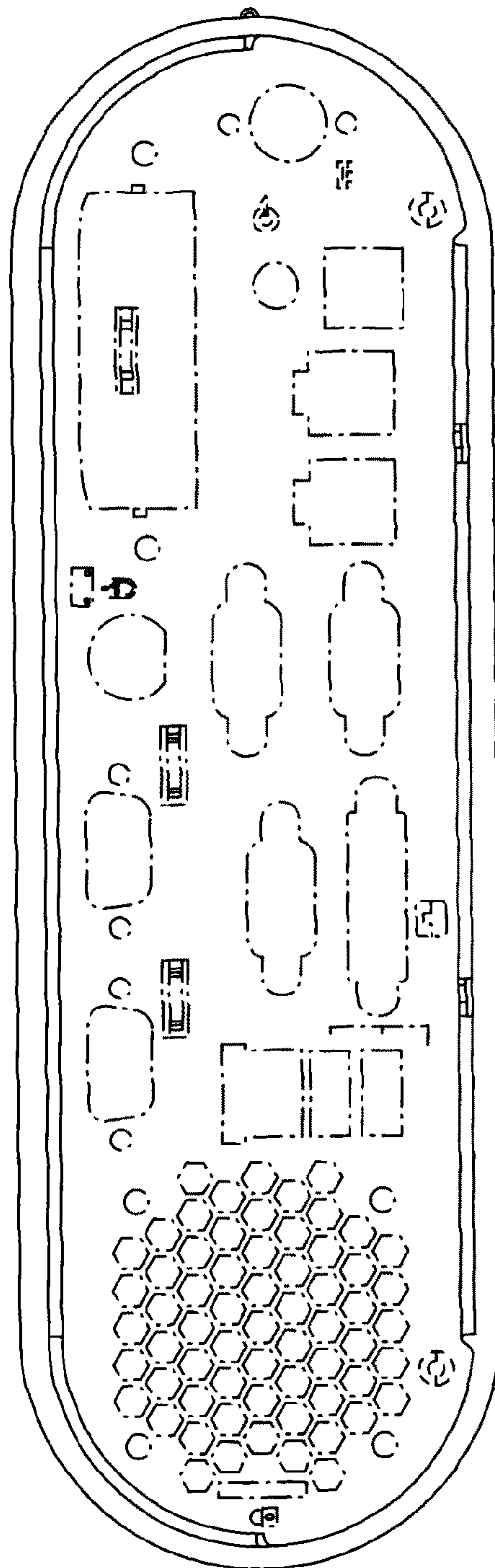


FIG. 2

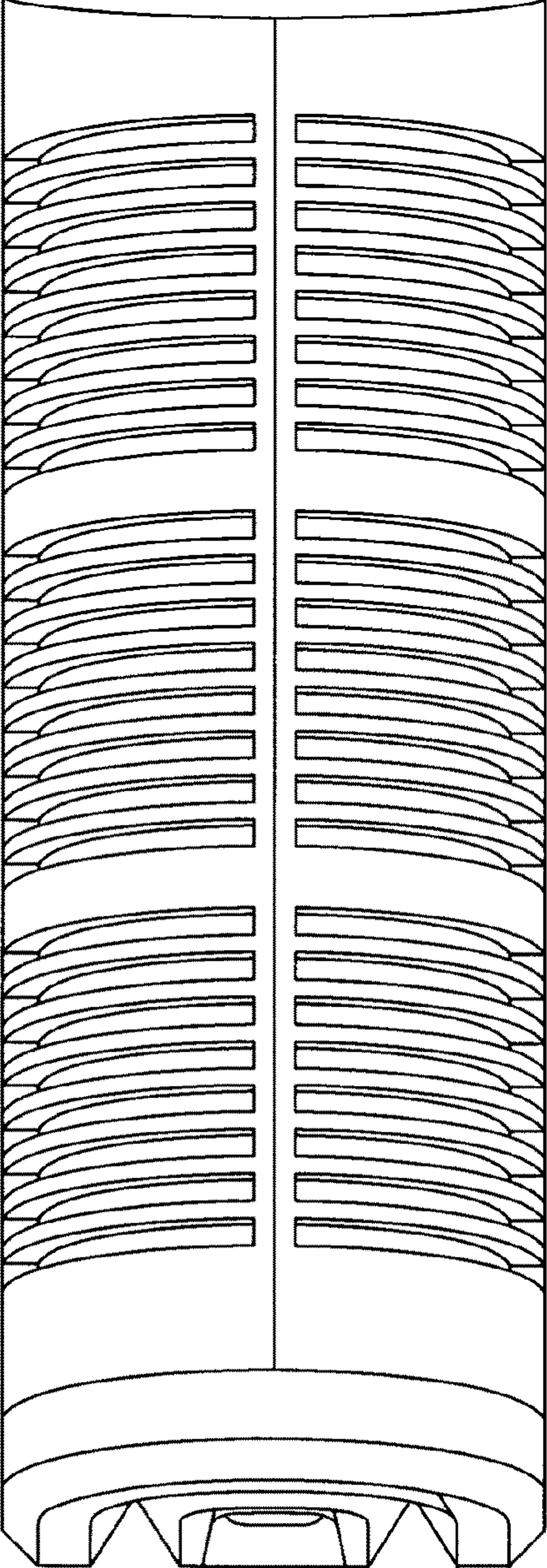


FIG. 3

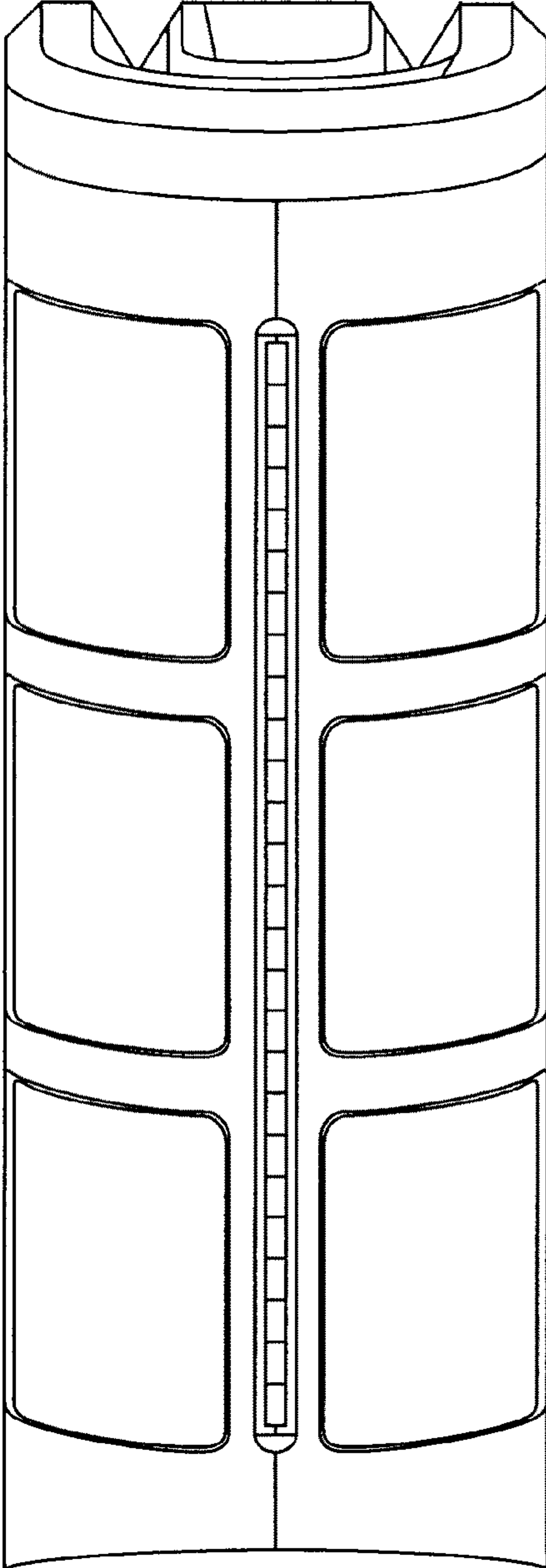
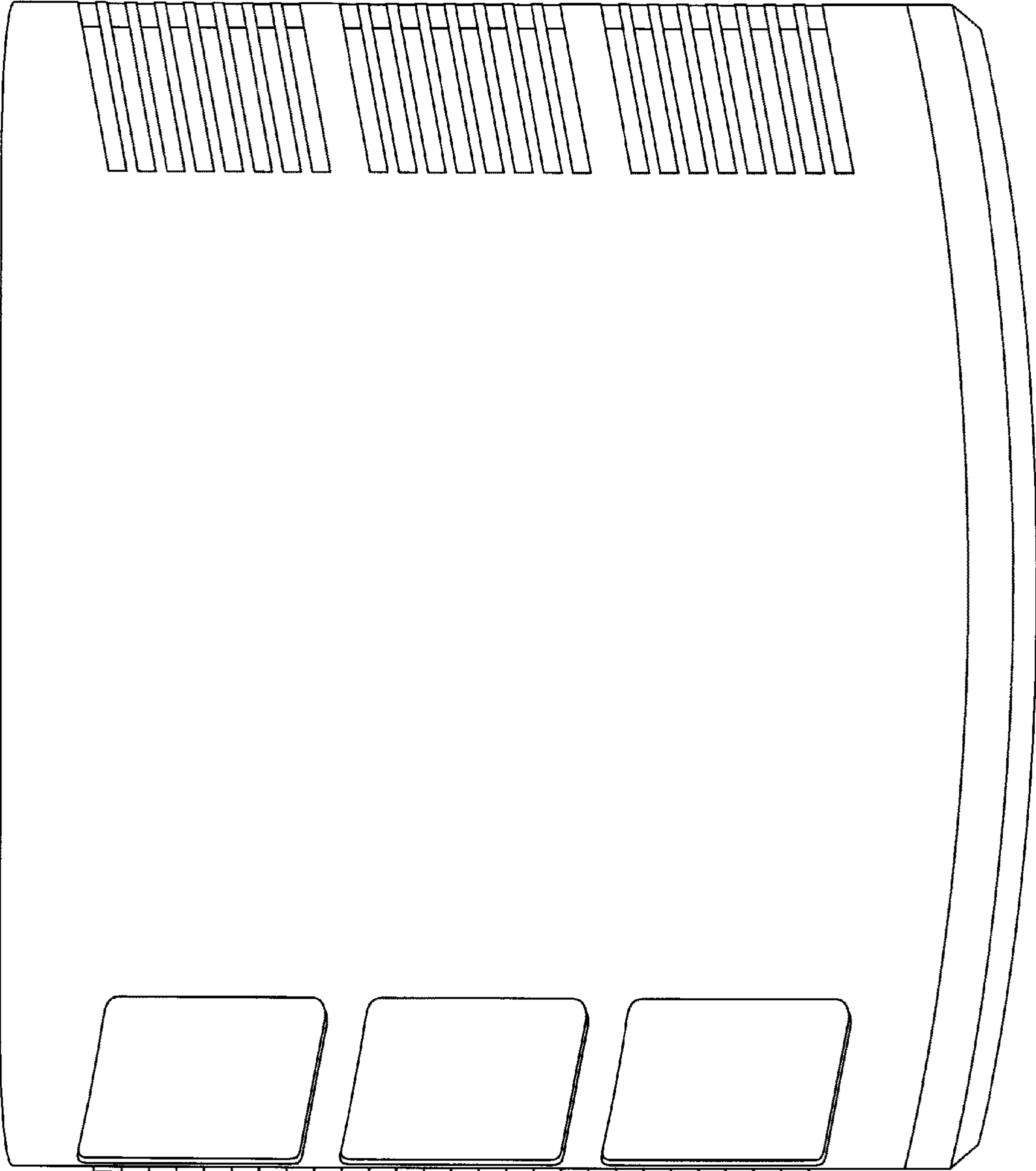


FIG. 4

FIG. 5



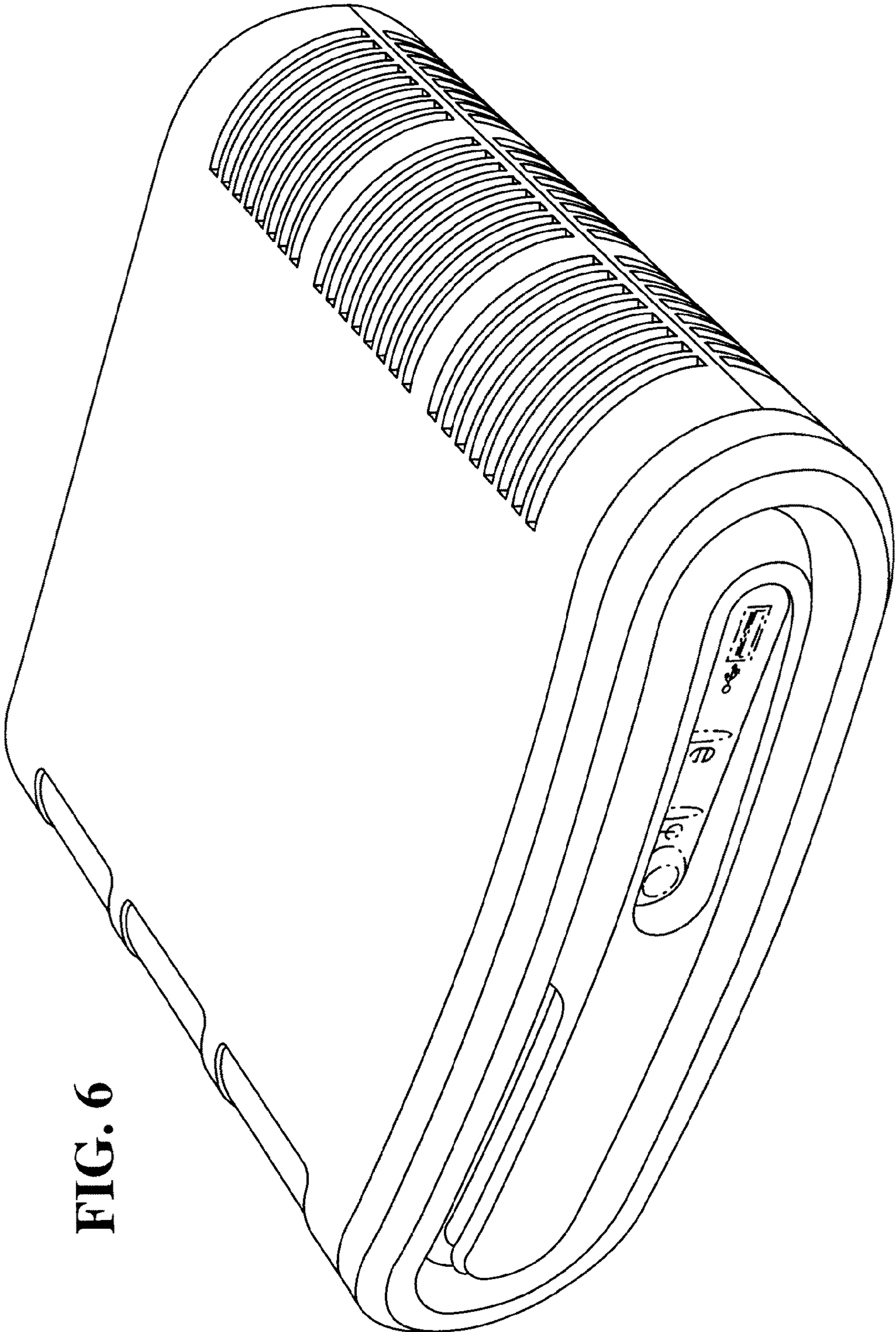


FIG. 6