



US00D654493S

(12) **United States Design Patent**  
**Baumann et al.**

(10) **Patent No.:** **US D654,493 S**  
(45) **Date of Patent:** **\*\* Feb. 21, 2012**

(54) **MOUNTABLE STAND**

(75) Inventors: **Scott Baumann**, Anacortes, WA (US);  
**Brian Wheeler**, Bellingham, WA (US);  
**Brian Johnson**, Anacortes, WA (US)

(73) Assignee: **Clingo.com LLC**, Ferndale, WA (US)

(\*\*) Term: **14 Years**

(21) Appl. No.: **29/348,214**

(22) Filed: **Dec. 8, 2009**

(51) **LOC (9) Cl.** ..... **14-03**

(52) **U.S. Cl.** ..... **D14/253**

(58) **Field of Classification Search** ..... D14/140,  
D14/217, 224, 224.1, 229, 240, 243, 250-253,  
D14/299, 344, 434, 447, 451-452, 483, 496;  
D13/108; 361/679.41; 439/534; 320/115,  
320/116, 107; D8/355, 363; D12/415, 418;  
379/449, 455, 165; 248/122.1, 127, 157,  
248/205.8, 206.2, 279.1, 205.5, 309.1, 309.3,  
248/352; D3/201, 218, 269, 273, 301; D11/79;  
63/26

See application file for complete search history.

(56) **References Cited**

**U.S. PATENT DOCUMENTS**

D406,591 S *	3/1999	Richter	.....	D14/253
D533,054 S *	12/2006	Brassard	.....	D8/373
D602,025 S *	10/2009	Richter	.....	D14/447
D606,065 S *	12/2009	Rihu	.....	D14/253
D613,731 S *	4/2010	Yeo	.....	D14/253
D619,586 S *	7/2010	Richter	.....	D14/447

D619,587 S *	7/2010	Richter	.....	D14/447
D626,541 S *	11/2010	Kim et al.	.....	D14/253
D627,624 S *	11/2010	Brassard	.....	D8/363
D638,008 S *	5/2011	Richter	.....	D14/253
D640,247 S *	6/2011	Baumann et al.	.....	D14/253
D645,462 S *	9/2011	Choi	.....	D14/253

\* cited by examiner

*Primary Examiner* — Raphael Barkai

*Assistant Examiner* — Randall Gholson

(74) *Attorney, Agent, or Firm* — Tejpal S. Hansra

(57) **CLAIM**

The ornamental design for a mountable stand, as shown and described.

**DESCRIPTION**

FIG. 1 is an isometric view of a mountable stand showing our new design with a handheld mobile electronic device in broken lines;

FIG. 2 is a front view thereof with a handheld mobile electronic device in broken lines;

FIG. 3 is a right side view thereof with a handheld mobile electronic device in broken lines;

FIG. 4 is a left side view thereof;

FIG. 5 is a back view thereof;

FIG. 6 is a top view thereof; and,

FIG. 7 is a bottom view thereof.

The broken lines in the drawing are for illustrative purposes only and form no part of the claimed design. Specifically, the broken lines are provided to illustrate the environment in which the mobile stand may be used.

**1 Claim, 4 Drawing Sheets**

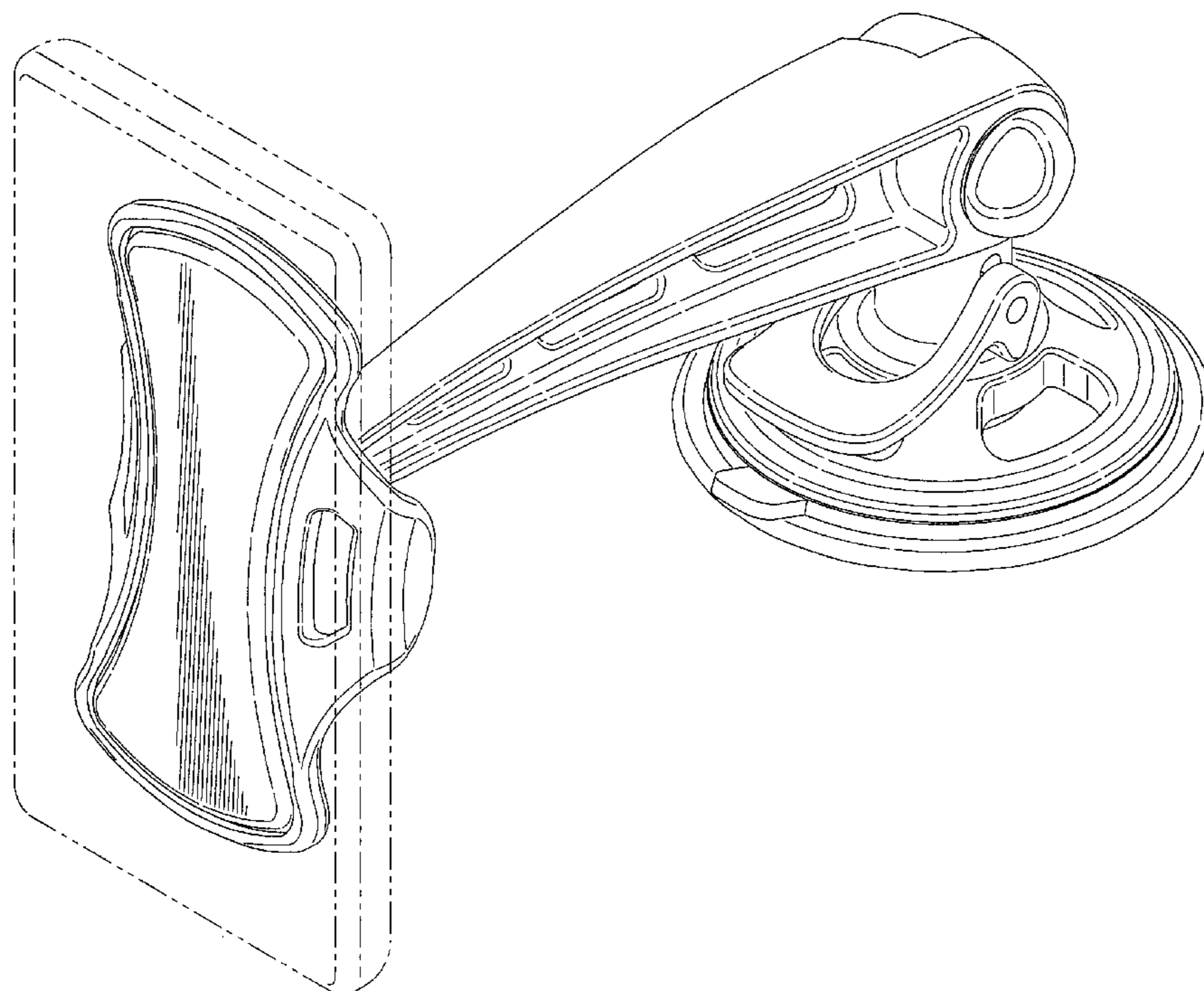


FIG. 1

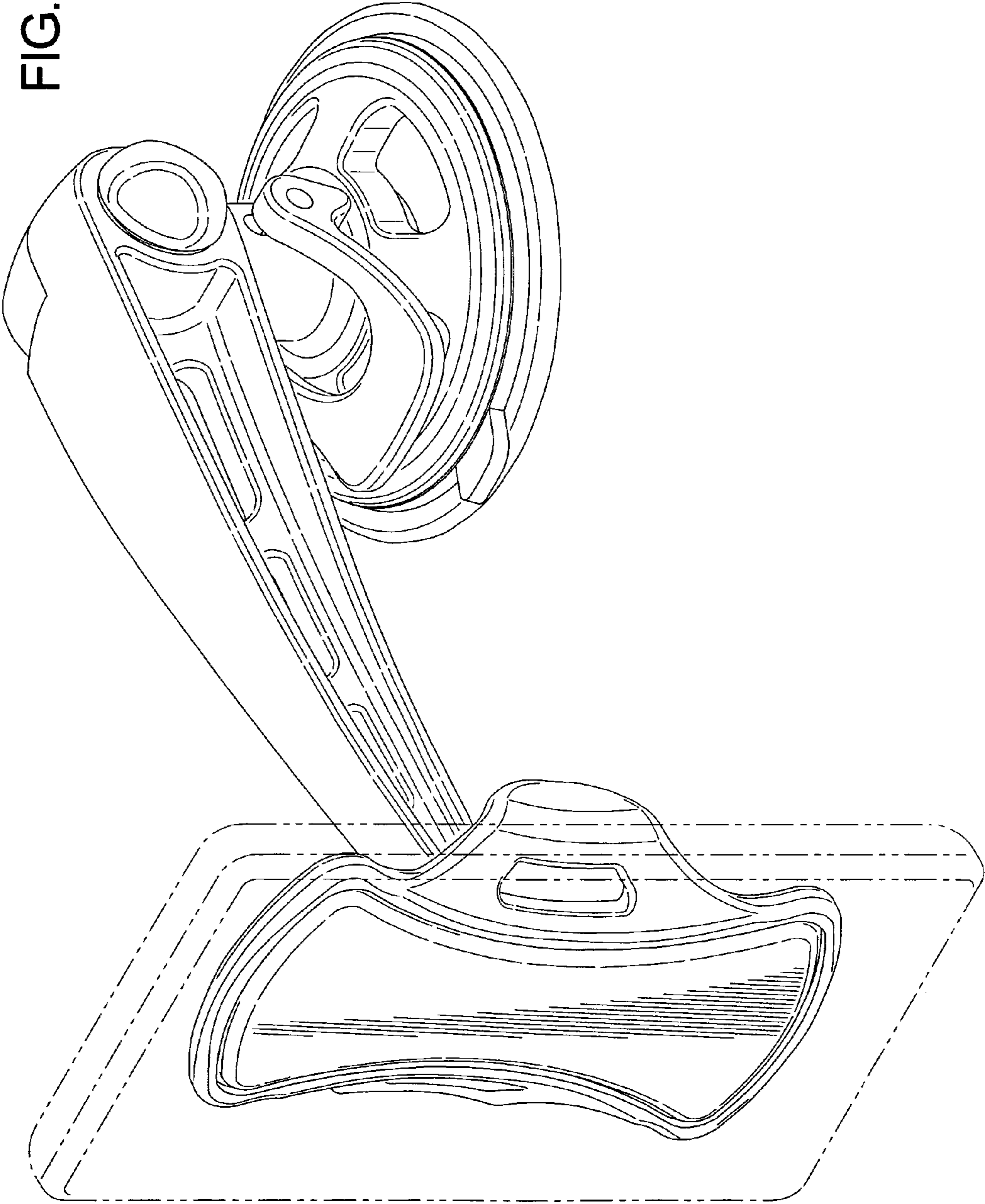


FIG. 2

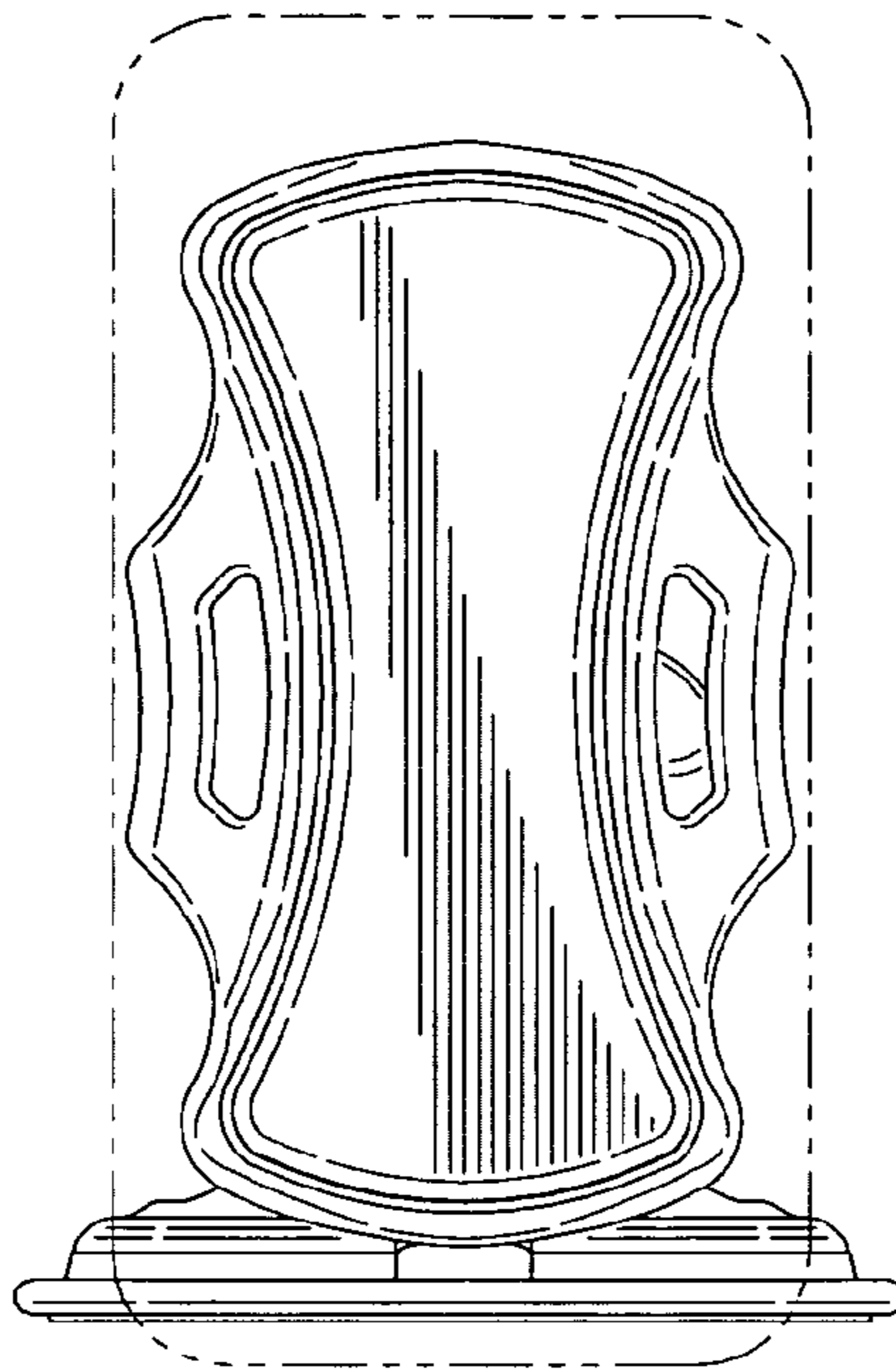


FIG. 3

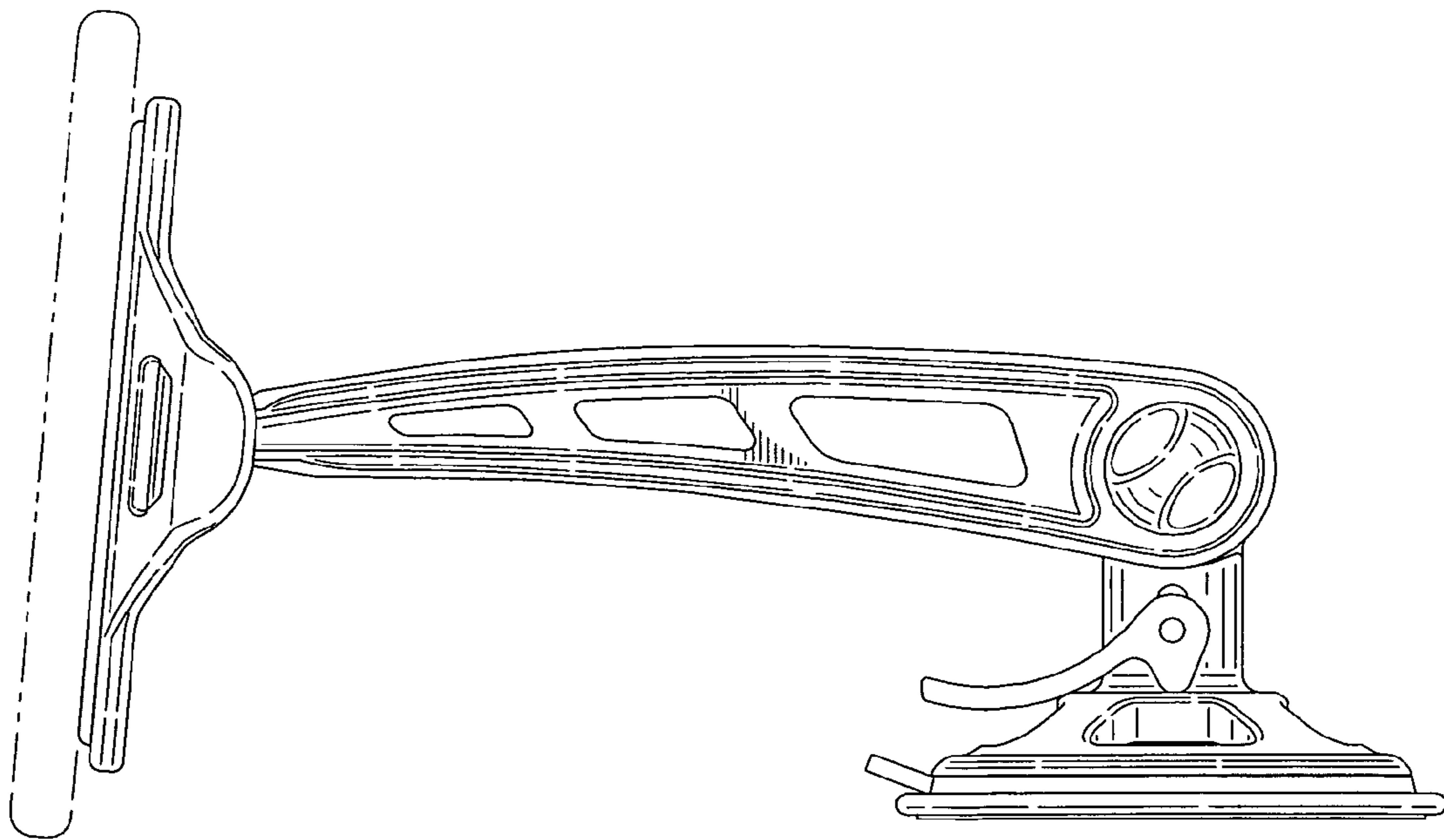


FIG. 4

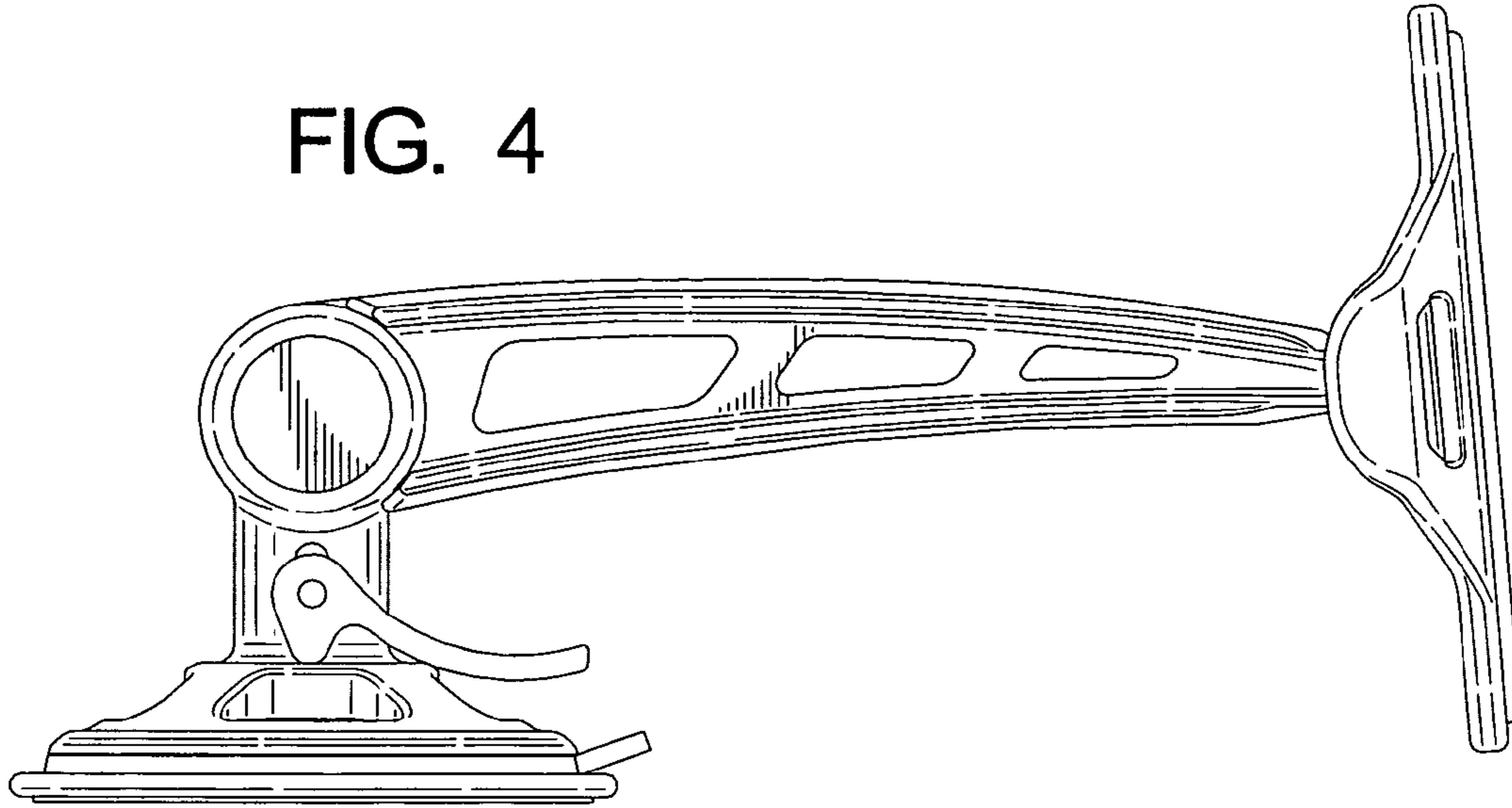


FIG. 5

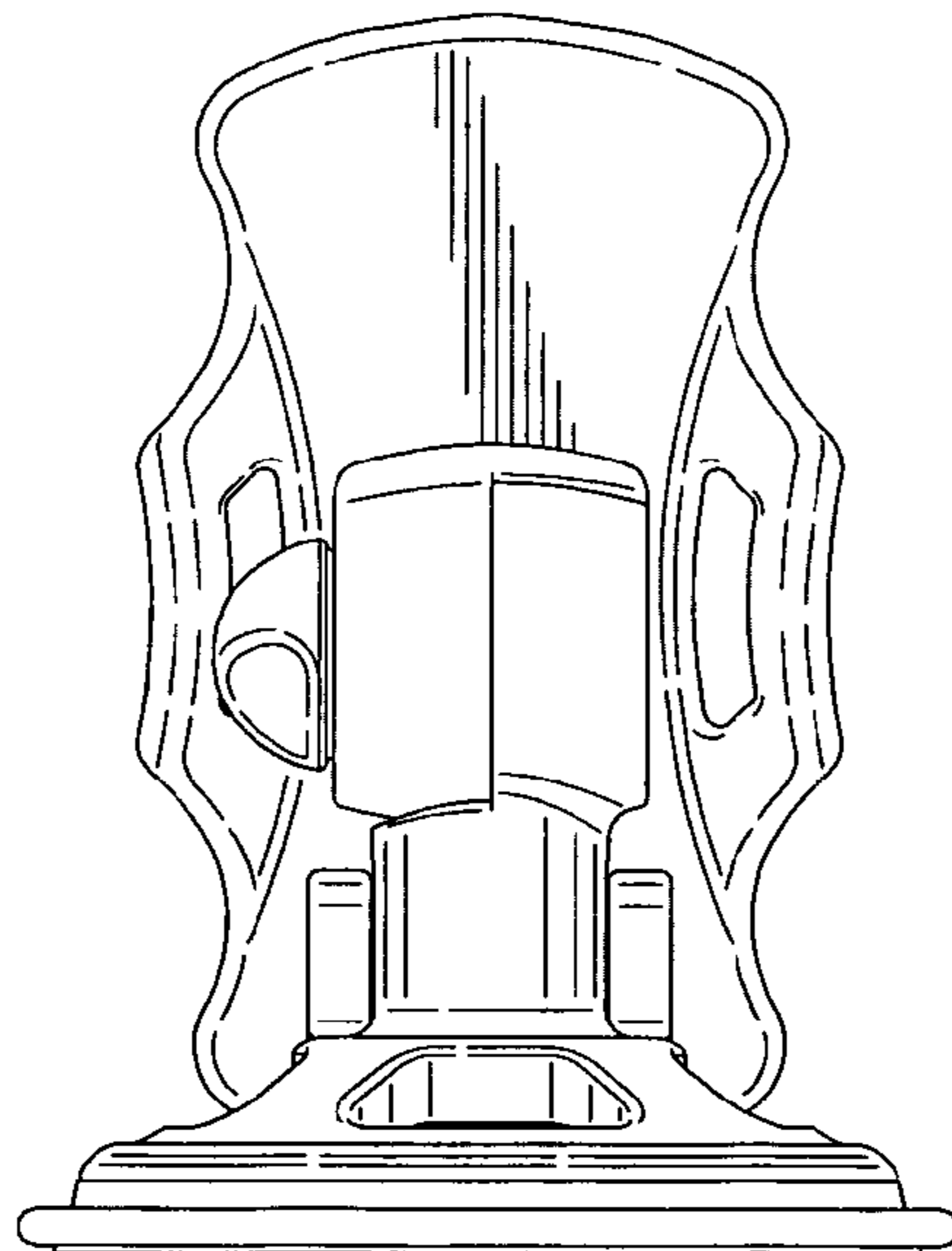


FIG. 6

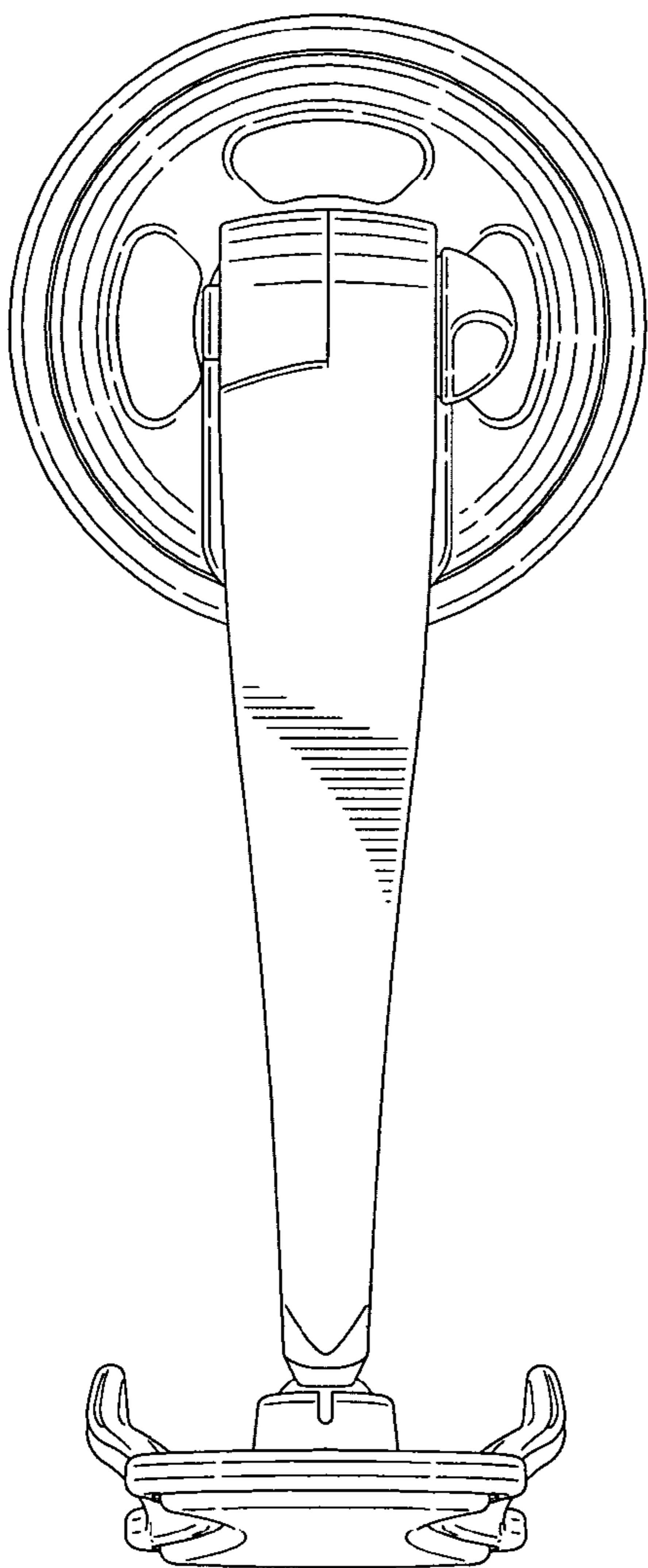


FIG. 7

