



US00D654478S

(12) **United States Design Patent**
Noh et al.

(10) **Patent No.:** **US D654,478 S**
(45) **Date of Patent:** **** Feb. 21, 2012**

(54) **REMOTE CONTROLLER FOR TV RECEIVER**

(75) Inventors: **Chang-Soo Noh**, Kyunggi-do (KR);
You-Sun Ji, Kyunggi-do (KR); **Se-Ra Park**, Seoul (KR); **Sang-On Choi**,
Kyunggi-do (KR); **Eun-Seok Choi**,
Kyunggi-do (KR)

(73) Assignee: **Samsung Electronics Co., Ltd.**, Suwon,
Kyunggi-Do (KR)

(**) Term: **14 Years**

(21) Appl. No.: **29/405,087**

(22) Filed: **Oct. 28, 2011**

(30) **Foreign Application Priority Data**

Jul. 1, 2011 (KR) 30-2011-0027281

(51) **LOC (9) Cl.** **14-03**

(52) **U.S. Cl.** **D14/218**

(58) **Field of Classification Search** D14/218,
D14/455; D13/168; D21/566; D10/104,
D10/106; 345/169; 348/14.05, 114, 211.99,
348/734; 340/825.24; 341/22; 455/92, 95,
455/128, 151.1-151.4, 352, 355, FOR. 121;
700/65

See application file for complete search history.

(56) **References Cited**

U.S. PATENT DOCUMENTS

D409,201 S	5/1999	Barraza et al.	
D501,200 S *	1/2005	Tsai et al.	D14/218
D515,041 S	2/2006	Yun et al.	
D521,459 S	5/2006	Yun et al.	
D524,279 S *	7/2006	Lai	D14/138 AA
D525,212 S	7/2006	Kim	
D531,993 S	11/2006	Choi et al.	
D532,777 S *	11/2006	Yu et al.	D14/218
D532,779 S	11/2006	Kim et al.	
D545,303 S *	6/2007	Chang	D14/218
D546,320 S	7/2007	Choi	
D546,807 S *	7/2007	Lee	D14/138 AA
D549,666 S *	8/2007	Tan et al.	D13/168

D551,632 S	9/2007	Kim	
D552,601 S *	10/2007	Oota	D14/218
D555,107 S	11/2007	Choi et al.	
D559,201 S	1/2008	Oh et al.	
D559,202 S	1/2008	Sim et al.	
D564,977 S	3/2008	Youn et al.	
D577,713 S	9/2008	Kim et al.	
D583,363 S	12/2008	Song et al.	
D585,052 S *	1/2009	Mamane et al.	D14/218
D591,711 S *	5/2009	Bai et al.	D14/138 AA
D597,082 S	7/2009	Bang et al.	
D602,474 S *	10/2009	Hansen et al.	D14/218
D602,915 S	10/2009	Song et al.	
D602,916 S	10/2009	Won et al.	
D609,221 S	2/2010	Kim et al.	
D609,222 S	2/2010	Shin	

(Continued)

OTHER PUBLICATIONS

U.S. Appl. No. 29/349,413, Applicant: Kyoung-Hoon Kim, et al.,
entitled Remote Controller for Television Receiver.

(Continued)

Primary Examiner — John Windmuller

(74) *Attorney, Agent, or Firm* — Flynn, Thiel, Boutell &
Tanis, P.C.

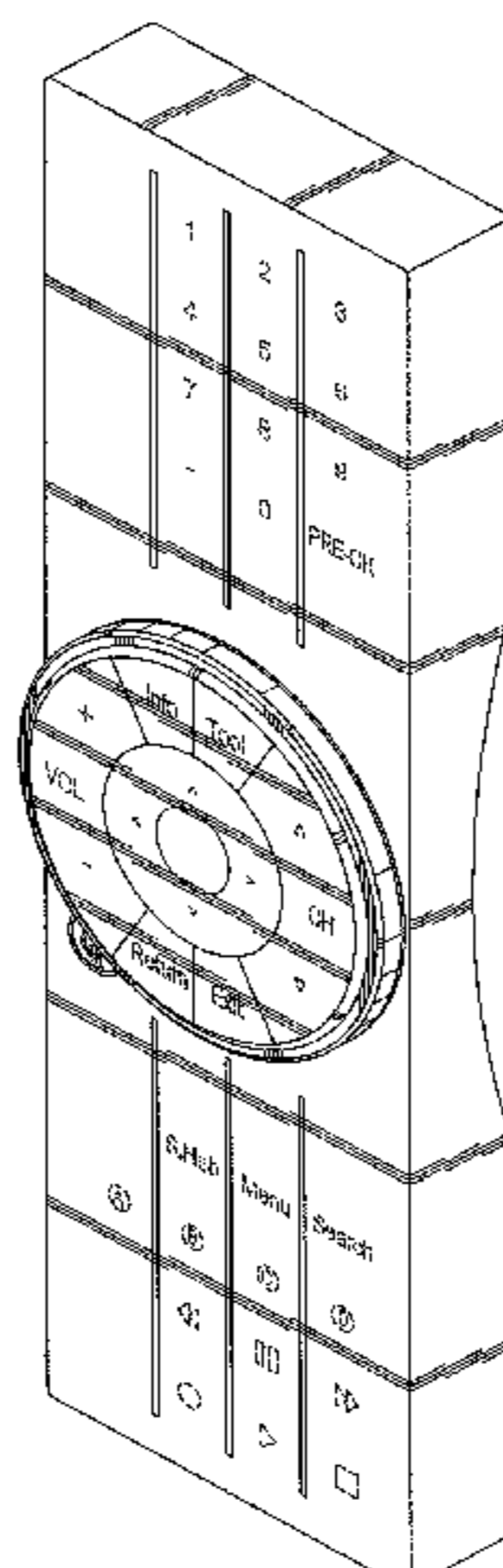
(57) **CLAIM**

The ornamental design for a remote controller for TV
receiver, as shown and described.

DESCRIPTION

FIG. 1 is a top front perspective view of a remote controller
for TV receiver showing our new design;
FIG. 2 is a front elevational view thereof;
FIG. 3 is a rear elevational view thereof;
FIG. 4 is a left side elevational view thereof;
FIG. 5 is a right side elevational view thereof;
FIG. 6 is a top plan view thereof; and,
FIG. 7 is a bottom plan view thereof.
The broken lines depict environmental subject matter only
and form no part of the claimed design.

1 Claim, 4 Drawing Sheets



US D654,478 S

Page 2

U.S. PATENT DOCUMENTS

D614,605 S * 4/2010 Teh et al. D14/218
D615,965 S * 5/2010 Yokota D14/218
D618,666 S 6/2010 Shin
D621,372 S 8/2010 Won et al.
D622,703 S * 8/2010 Cheng Teh et al. D14/218
D624,907 S * 10/2010 Komiya et al. D14/247
D625,276 S 10/2010 Won et al.
D625,296 S * 10/2010 Chiu D14/218
D629,792 S * 12/2010 Jones D14/218
D632,264 S 2/2011 Choi et al.
D632,265 S 2/2011 Choi et al.
D634,715 S 3/2011 Choi et al.
D634,734 S * 3/2011 Cho D14/218
D636,353 S 4/2011 Choi et al.

D639,782 S 6/2011 Kim
D643,659 S 8/2011 Choi et al.
D647,882 S 11/2011 Kim et al.
D647,883 S 11/2011 Kim et al.
D647,884 S 11/2011 Moon et al.
D647,885 S 11/2011 Choi et al.
D648,326 S 11/2011 Sung et al.
2006/0017857 A1 * 1/2006 Sata et al. 348/734

OTHER PUBLICATIONS

U.S. Appl. No. 29/404,268, Applicant: Jin-Ho Choi, et al., entitled
Remote Controller.

* cited by examiner

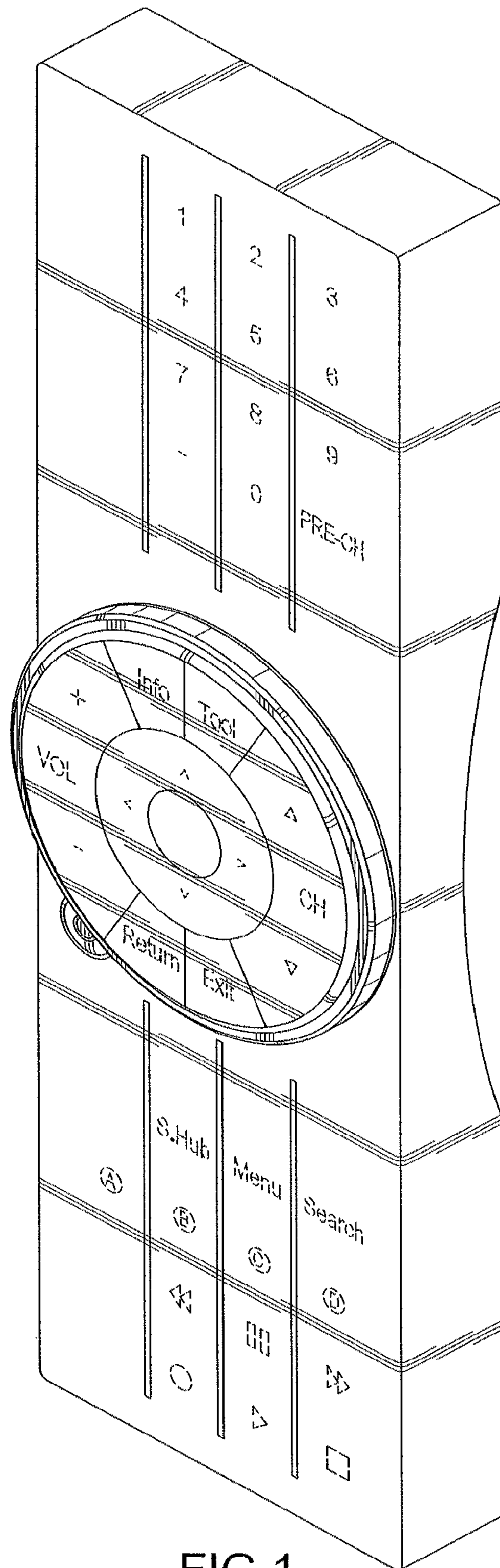


FIG.1

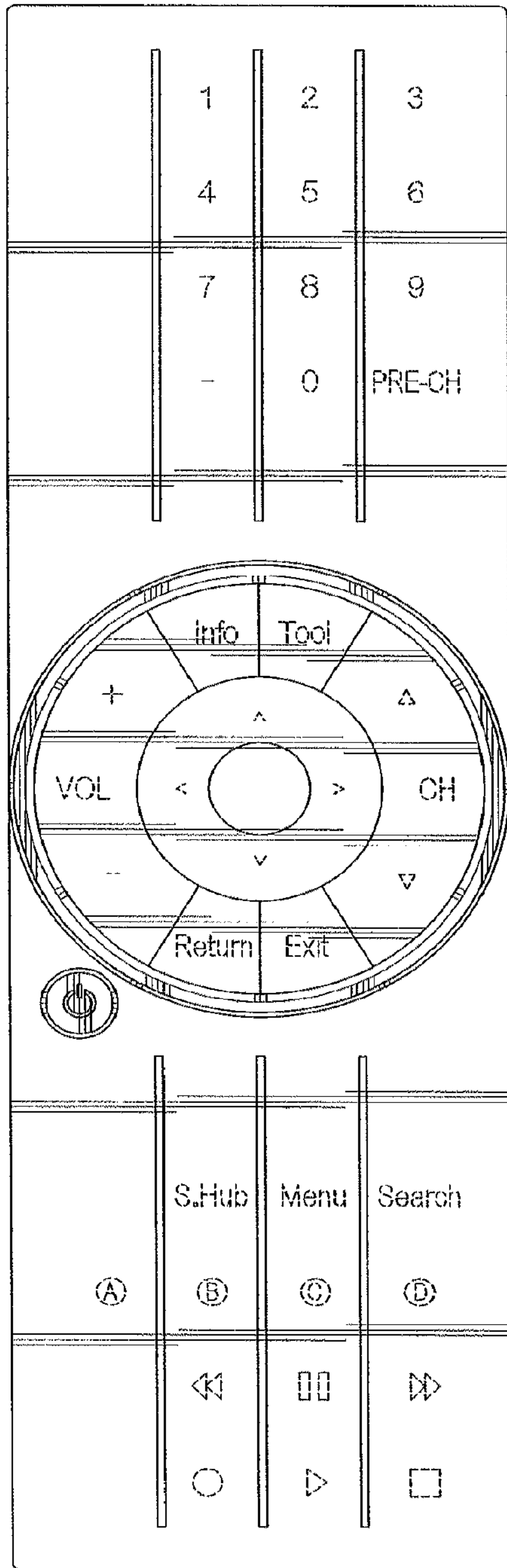


FIG.2

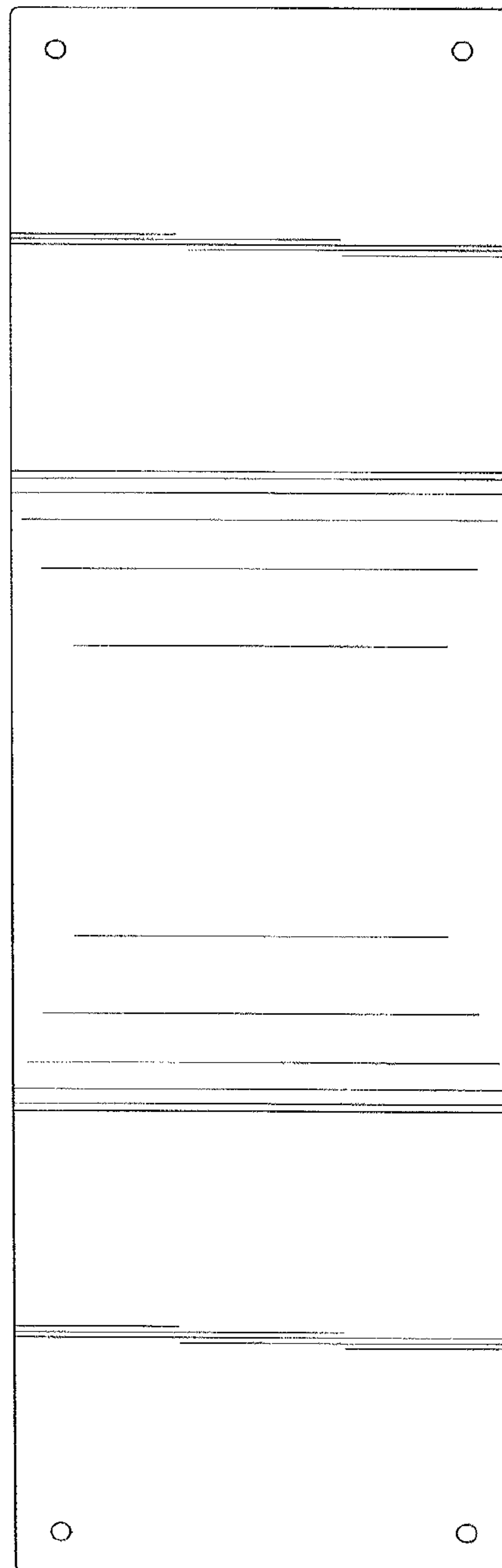


FIG.3

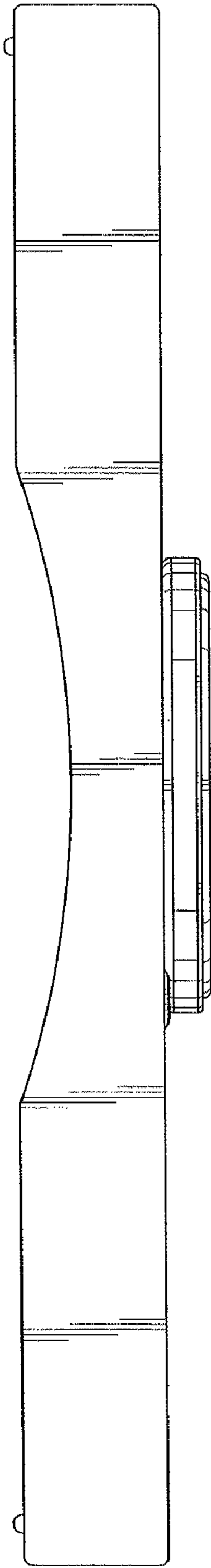


FIG. 4

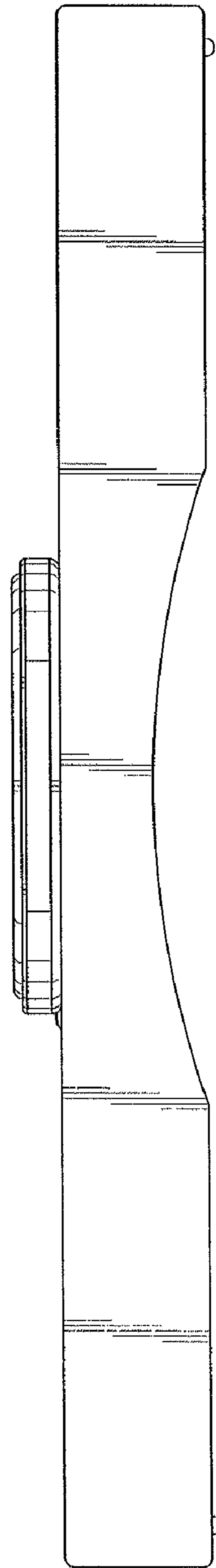


FIG. 5

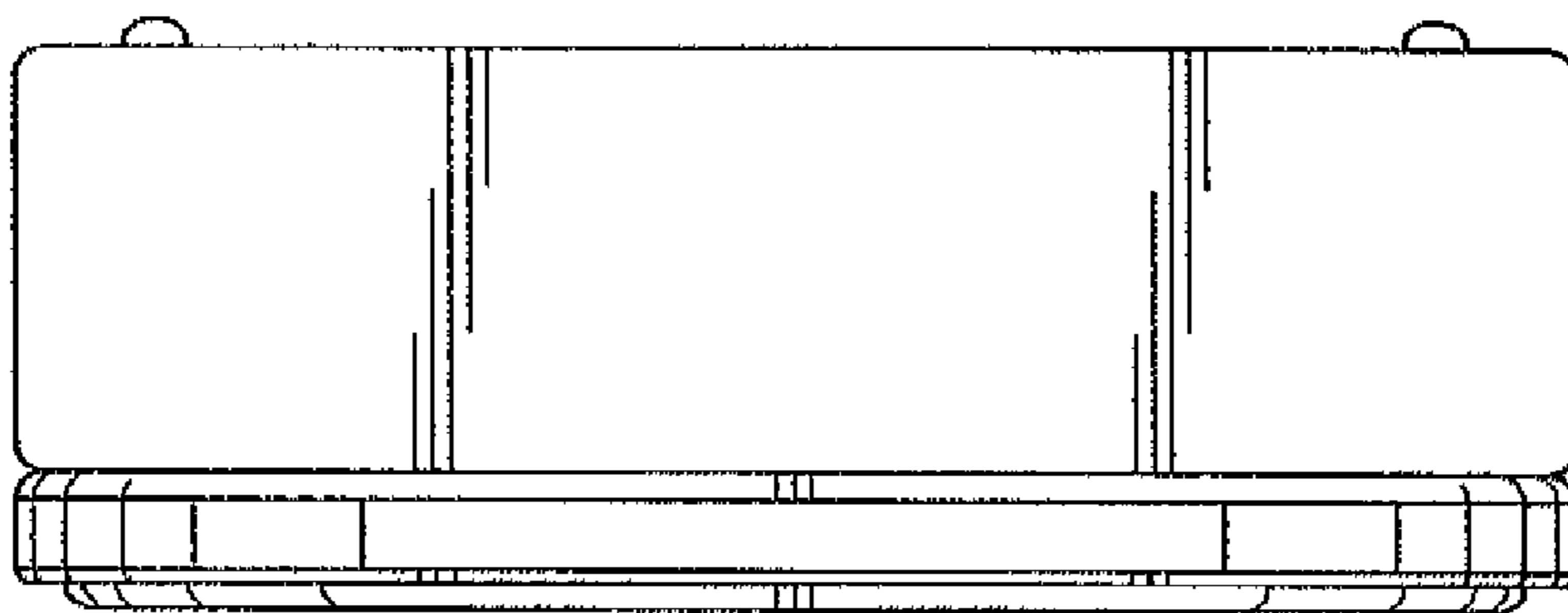


FIG. 6

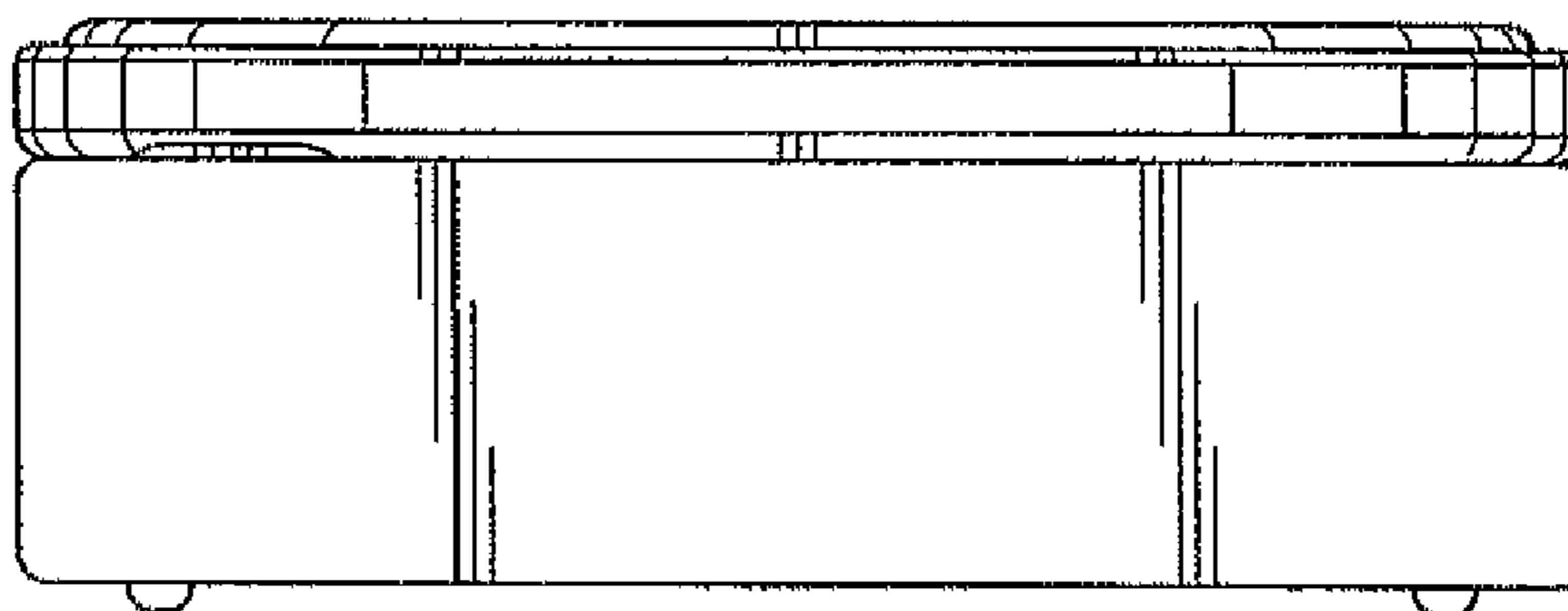


FIG. 7