



US00D654474S

(12) **United States Design Patent**
Hawkins et al.

(10) **Patent No.:** **US D654,474 S**

(45) **Date of Patent:** **** Feb. 21, 2012**

(54) **LOUDSPEAKER**

(75) Inventors: **Bernard Francis Hawkins**, Long Beach, CA (US); **Lorenzo Barrios**, Covina, CA (US)

(73) Assignee: **QSC Audio Products, Inc.**

(**) Term: **14 Years**

(21) Appl. No.: **29/382,408**

(22) Filed: **Jan. 3, 2011**

(51) **LOC (9) Cl.** **14-01**

(52) **U.S. Cl.** **D14/214**

(58) **Field of Classification Search** D14/204,
D14/210–216, 172; 181/143–145, 147–148,
181/150–153, 157, 198–199; 381/300–303,
381/306, 332–333, 336, 345, 361–364, 370,
381/386–388

See application file for complete search history.

(56) **References Cited**

U.S. PATENT DOCUMENTS

5,781,645 A * 7/1998 Beale 381/370

6,016,353 A * 1/2000 Gunness 181/145
D442,942 S * 5/2001 Tsuge D14/214
D582,892 S * 12/2008 Baird et al. D14/214

* cited by examiner

Primary Examiner — Nanda Bondade

(74) *Attorney, Agent, or Firm* — Dickstein Shapiro LLP

(57) **CLAIM**

The ornamental design for a loudspeaker, as shown and described.

DESCRIPTION

FIG. 1 is a perspective view of a loudspeaker of the present invention;

FIG. 2 is a front view of the loudspeaker of FIG. 1;

FIG. 3 is a side view of the loudspeaker of FIG. 1;

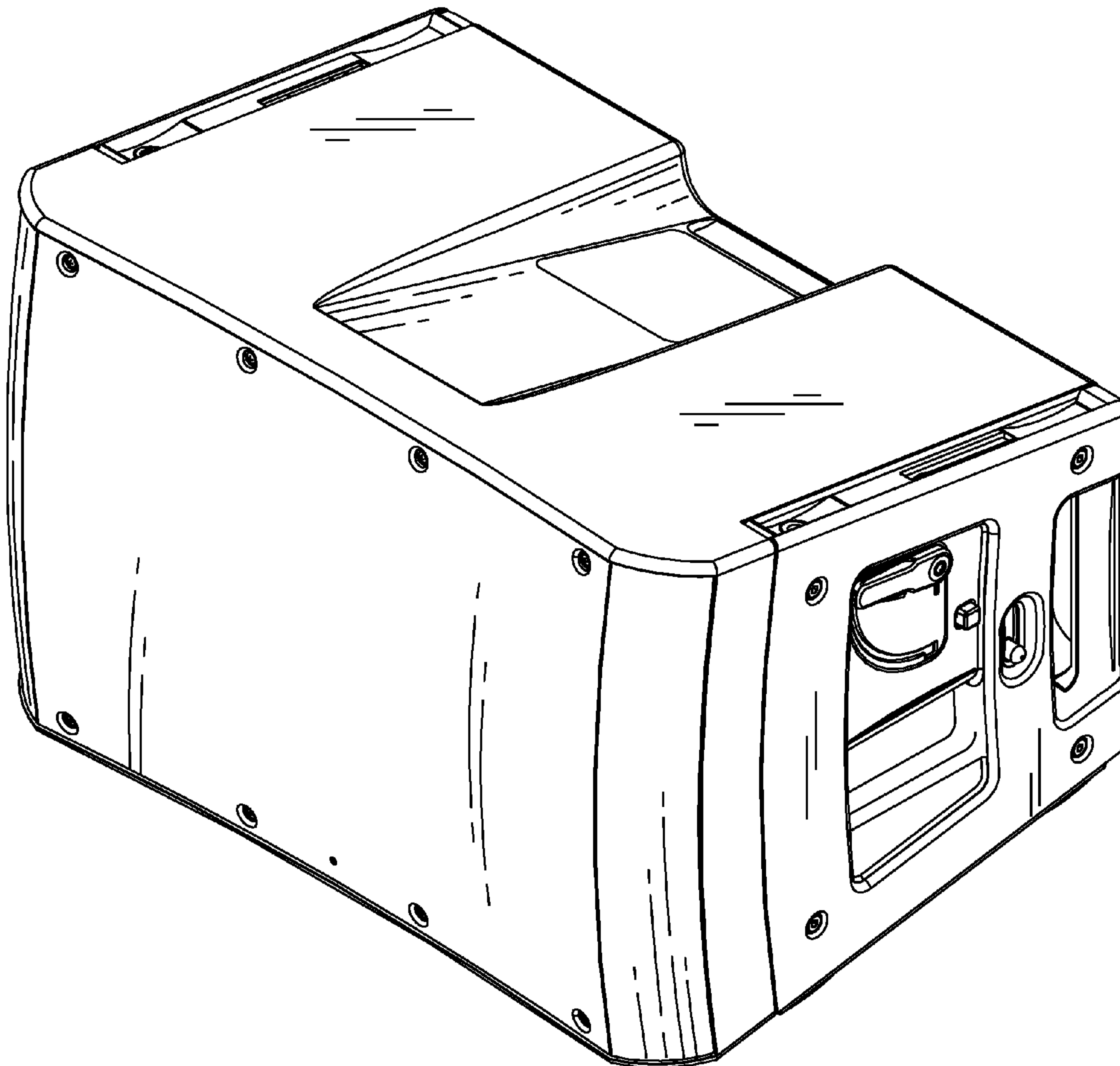
FIG. 4 is a rear view of the loudspeaker of FIG. 1;

FIG. 5 is an opposite side view of the loudspeaker of FIG. 1;

FIG. 6 is a top view of the loudspeaker of FIG. 1; and,

FIG. 7 is a bottom view of the loudspeaker of FIG. 1.

1 Claim, 7 Drawing Sheets



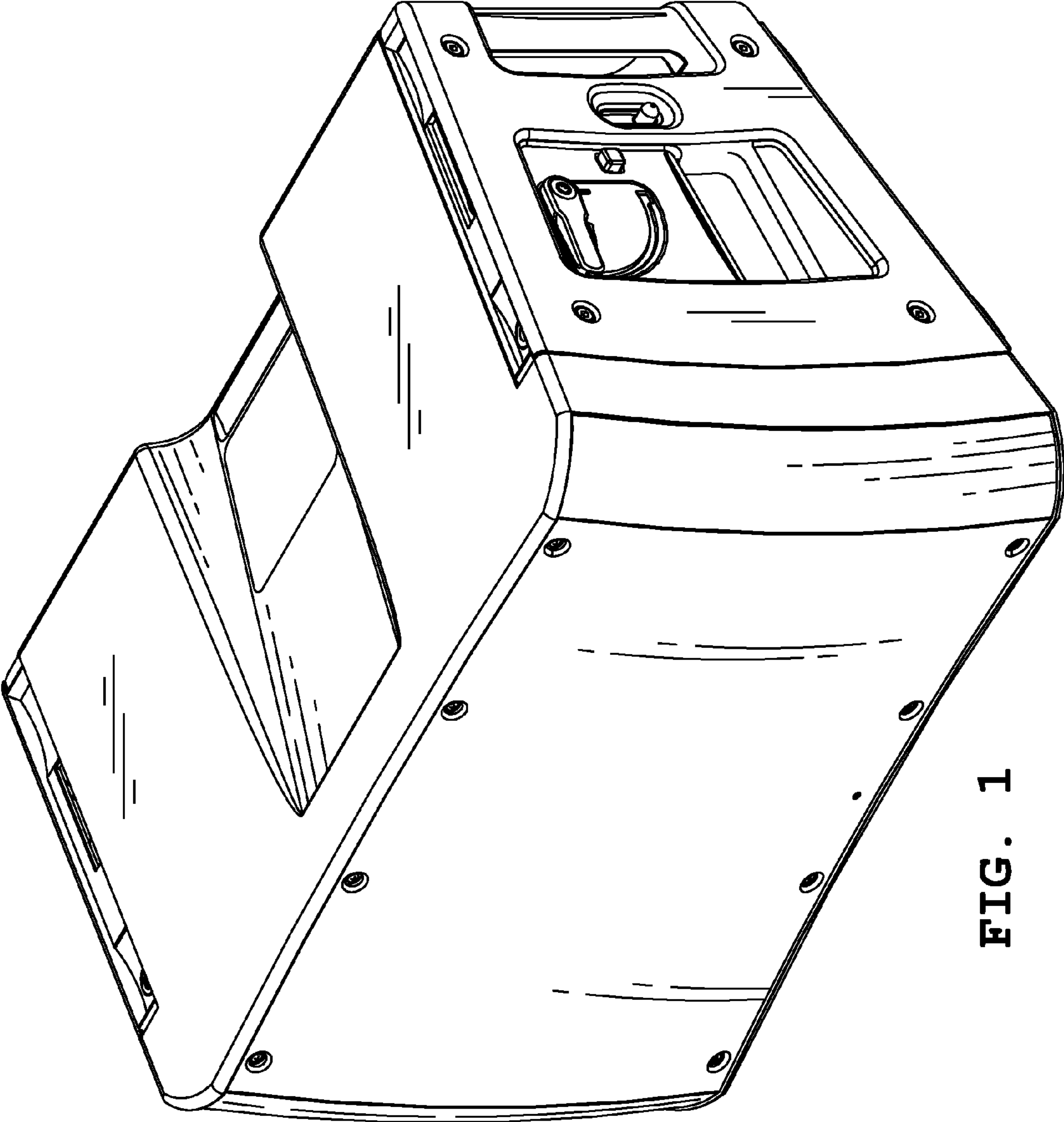


FIG. 1

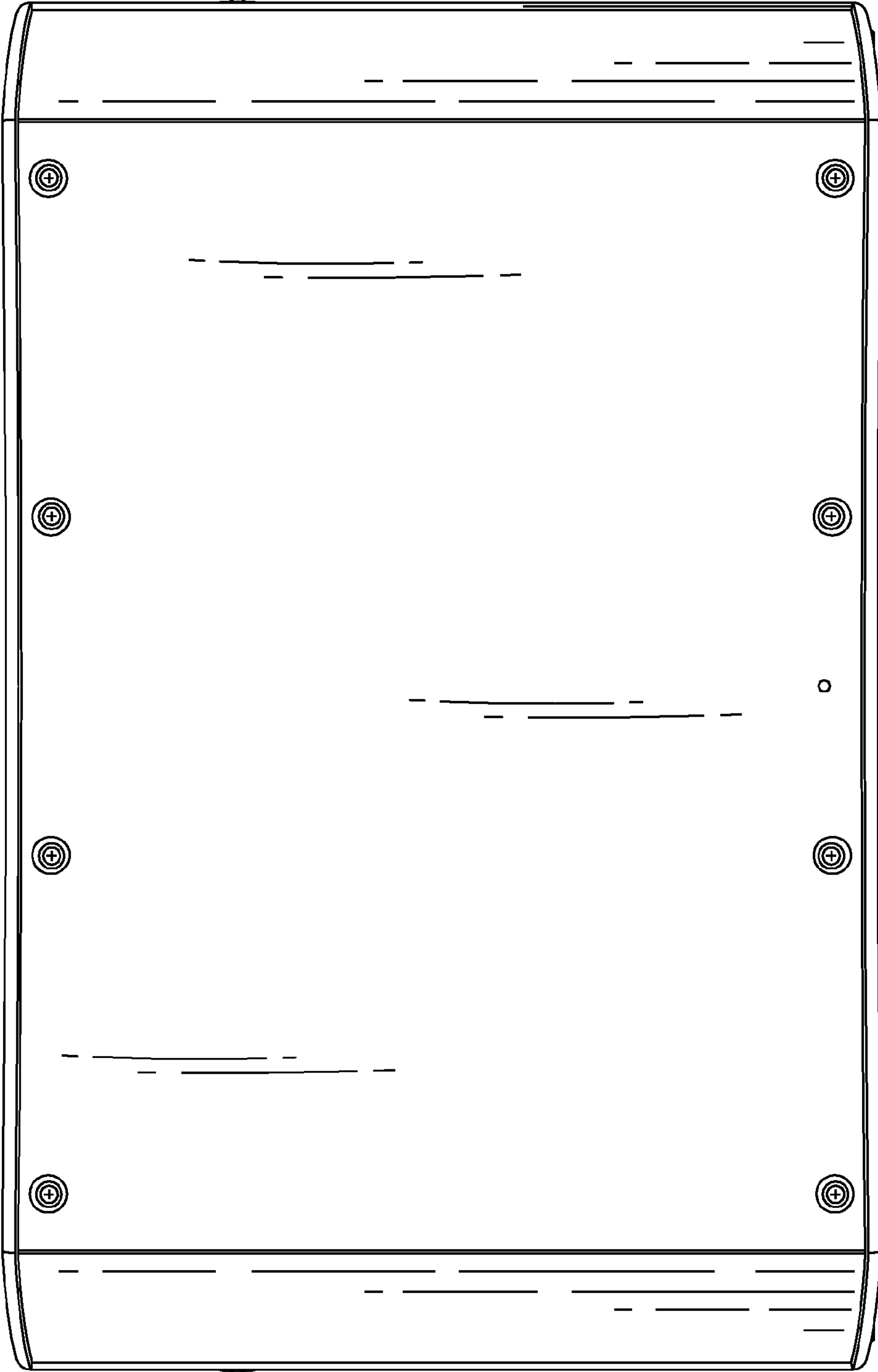


FIG. 2

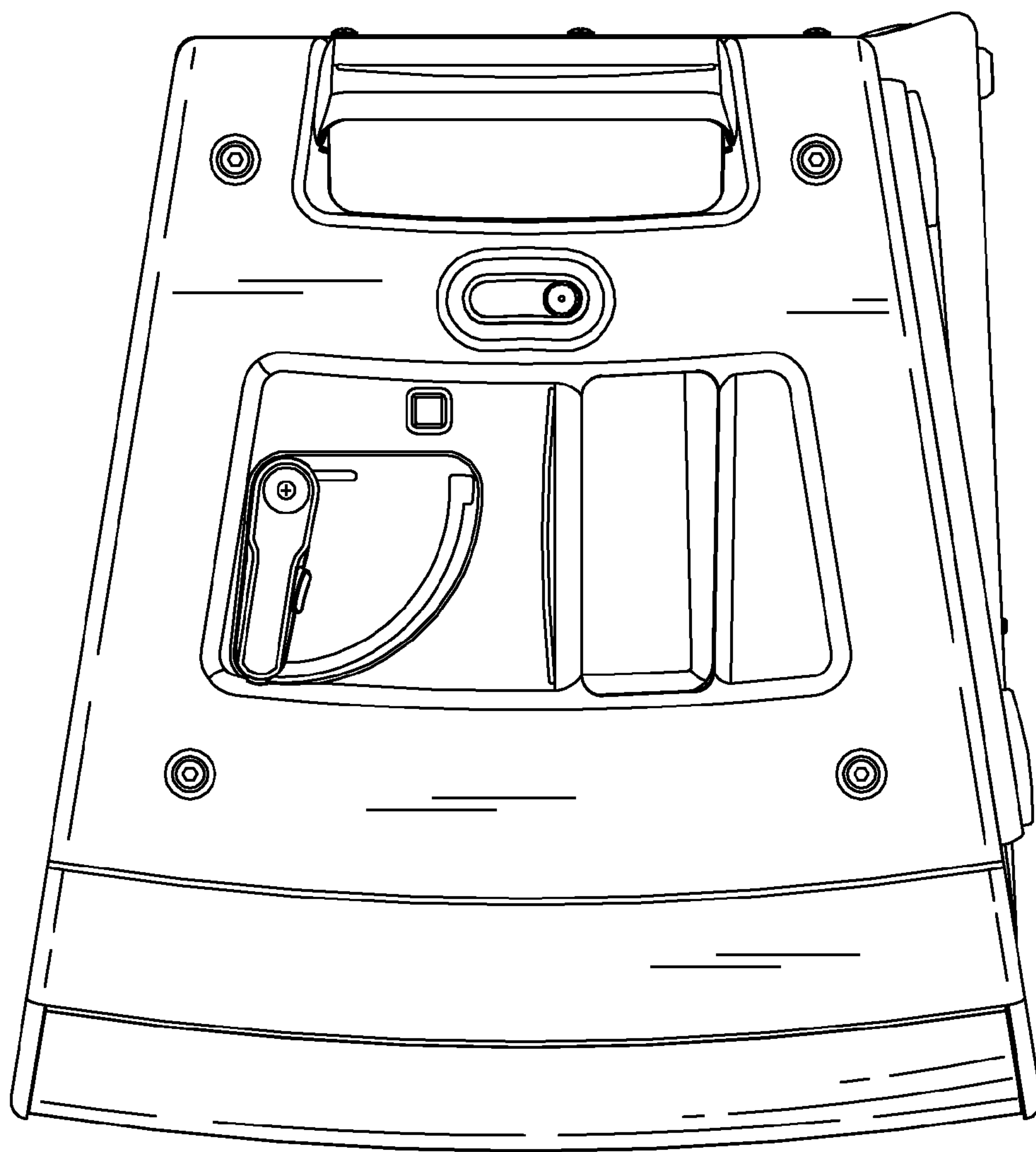


FIG. 3

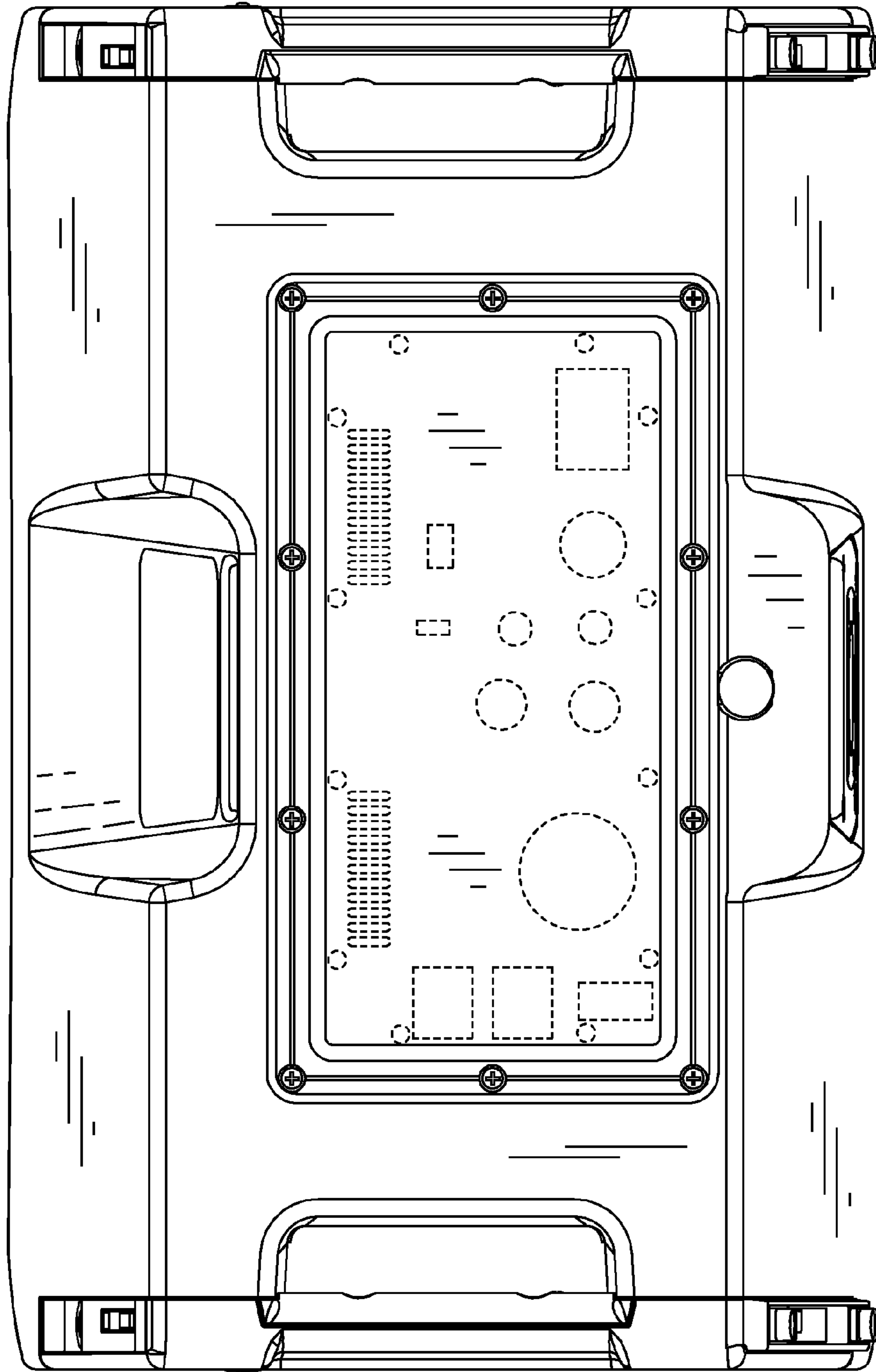


FIG. 4

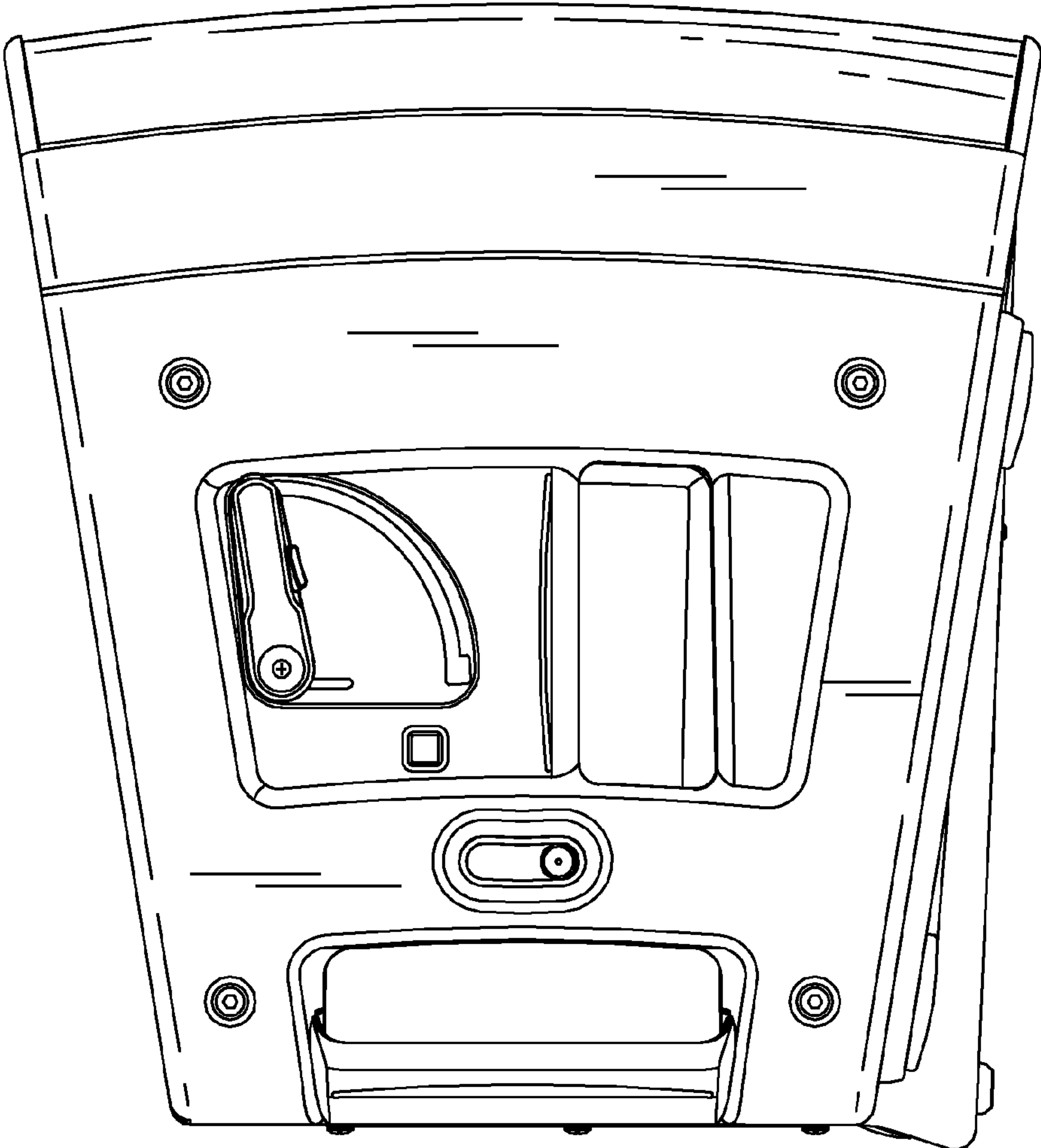


FIG. 5

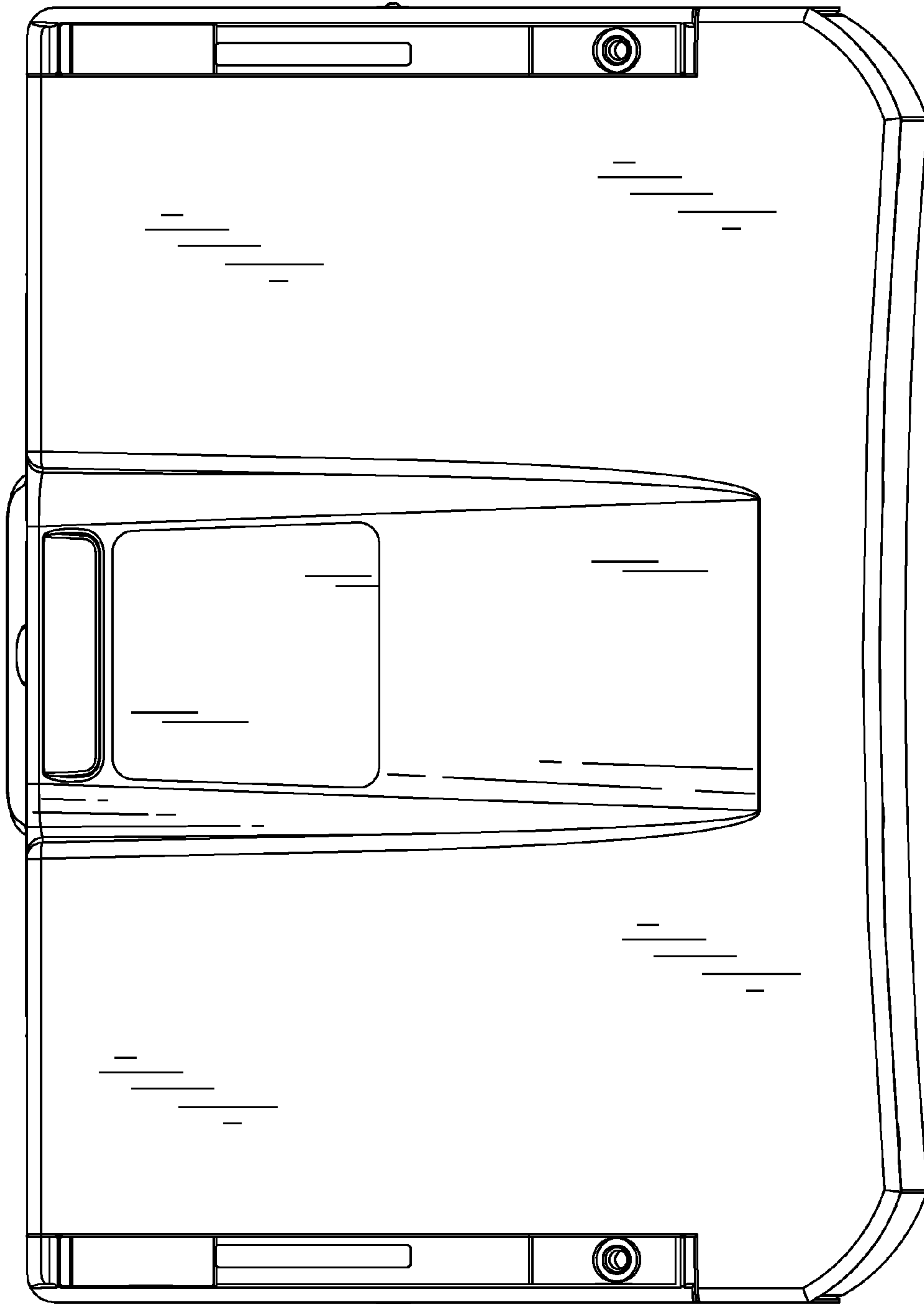


FIG. 6

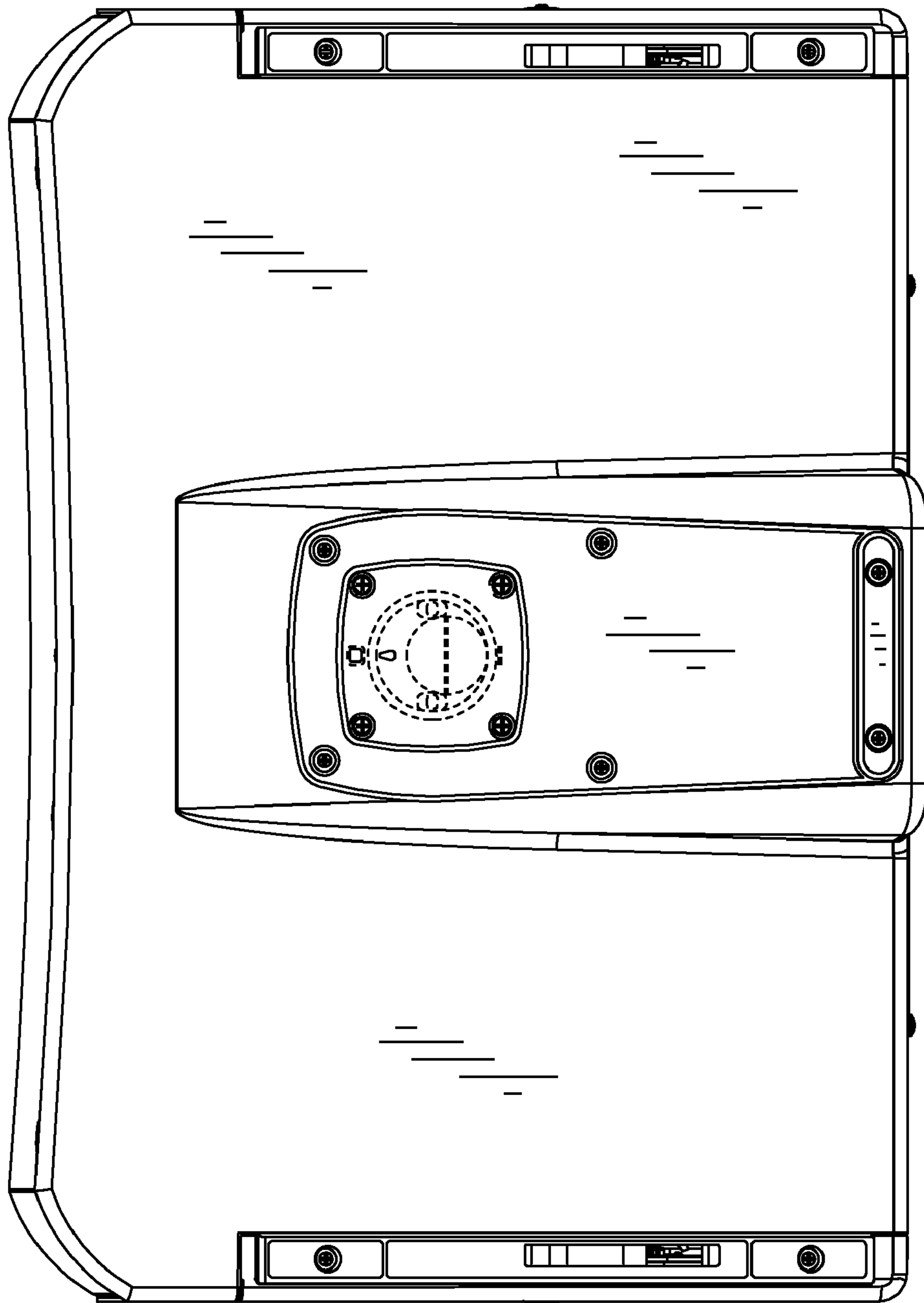


FIG. 7