



US00D654473S

(12) **United States Design Patent**
Paddock

(10) **Patent No.:** **US D654,473 S**

(45) **Date of Patent:** **** Feb. 21, 2012**

(54) **SUB-WOOFER**

(75) Inventor: **Thomas L. Paddock**, Truckee, CA (US)

(73) Assignee: **Sound Research Corporation**, Truckee, CA (US)

(**) Term: **14 Years**

(21) Appl. No.: **29/369,680**

(22) Filed: **Sep. 10, 2010**

Related U.S. Application Data

(63) Continuation-in-part of application No. 29/365,310, filed on Jul. 7, 2010.

(51) **LOC (9) Cl.** **14-01**

(52) **U.S. Cl.** **D14/214**

(58) **Field of Classification Search** D14/204,
D14/209.1, 210–216, 172; 181/143–144,
181/147–148, 150–153, 157, 198–199;
381/300–303, 306, 332–333, 336, 345, 361–364,
381/386–388

See application file for complete search history.

(56) **References Cited**

U.S. PATENT DOCUMENTS

D277,277 S *	1/1985	Matsuda	D14/214
D460,437 S *	7/2002	Lancaster et al.	D14/214
D512,412 S *	12/2005	Tsuge	D14/214
D538,262 S *	3/2007	Chen et al.	D14/214
D545,299 S *	6/2007	Tsuge	D14/214
D568,867 S *	5/2008	Parikh	D14/214

D571,356 S *	6/2008	Smith	D14/214
D587,239 S *	2/2009	Raisanen et al.	D14/188
D595,693 S *	7/2009	Hussey et al.	D14/214

* cited by examiner

Primary Examiner — Nanda Bondade

(74) *Attorney, Agent, or Firm* — Edward B. Weller

(57) **CLAIM**

The ornamental design for a sub-woofer, as shown and described.

DESCRIPTION

A portion of the disclosure of this patent document contains material to which a claim for copyright is made. The copyright owner has no objection to the facsimile reproduction by anyone of the patent document or the patent disclosure, as it appears in the Patent and Trademark Office patent file or records, but reserves all other copyrights whatsoever.

FIG. 1 is a perspective view of the right side and back of a sub-woofer showing my new design;

FIG. 2 is a right side elevational view thereof;

FIG. 3 is a left side elevational view;

FIG. 4 is a top view thereof;

FIG. 5 is a front elevational view;

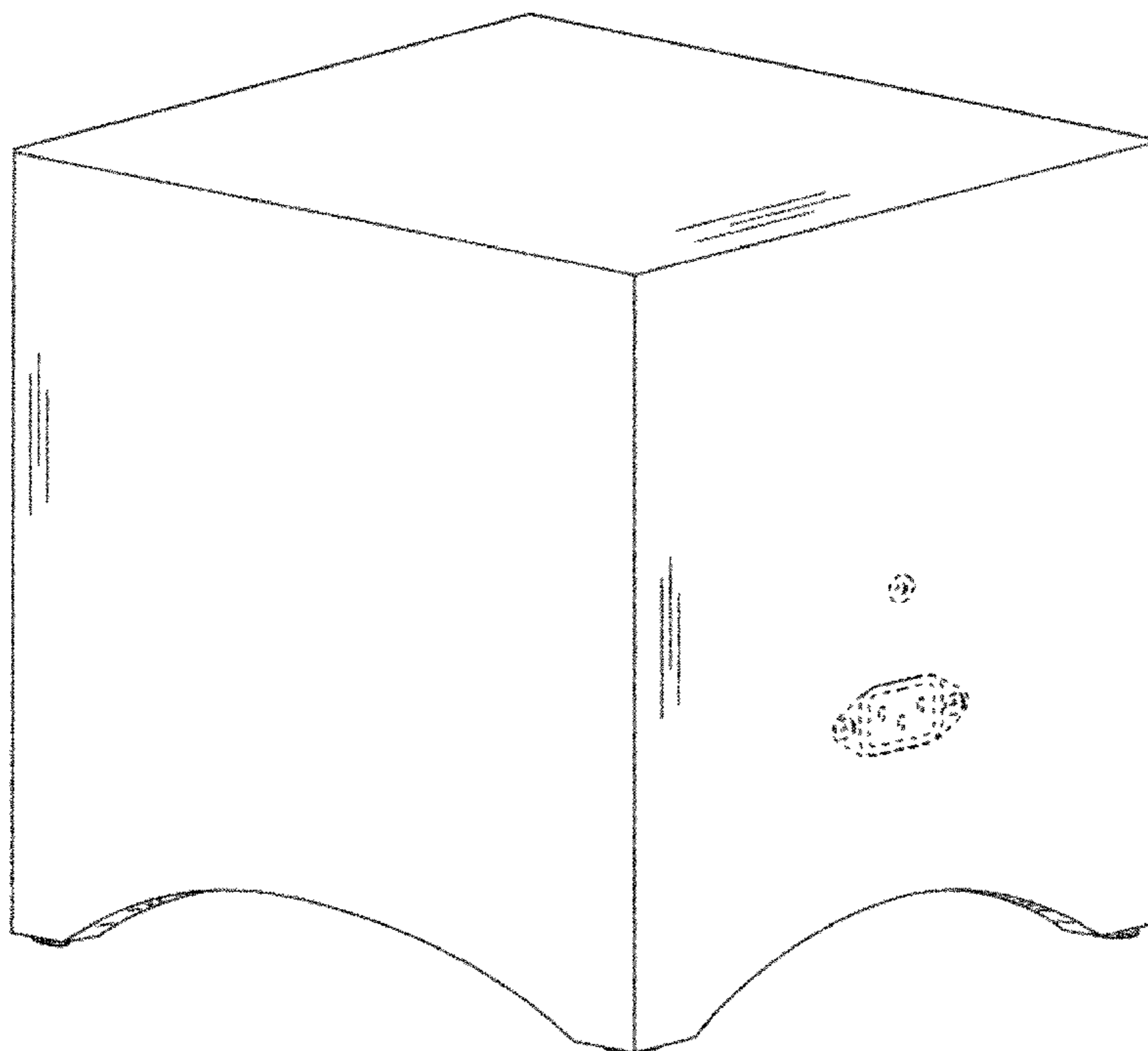
FIG. 6 is a back elevational view thereof;

FIG. 7 is a bottom elevational view thereof; and,

FIG. 8 a perspective view of the right side, front, and bottom thereof.

The broken line showing on the drawing disclosure is for illustrative purposes only and forms no part of the claimed design.

1 Claim, 8 Drawing Sheets



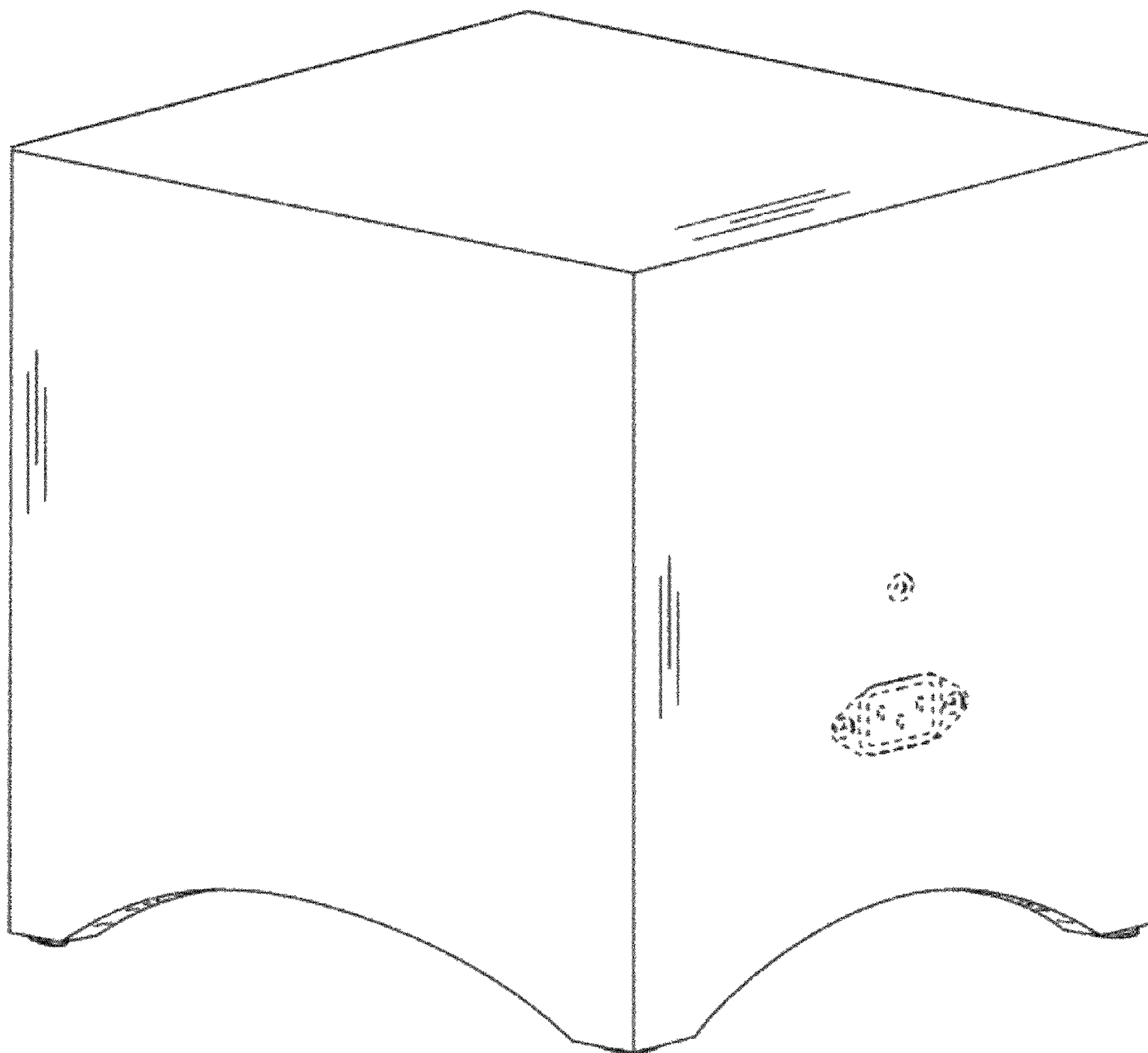


FIG. 1

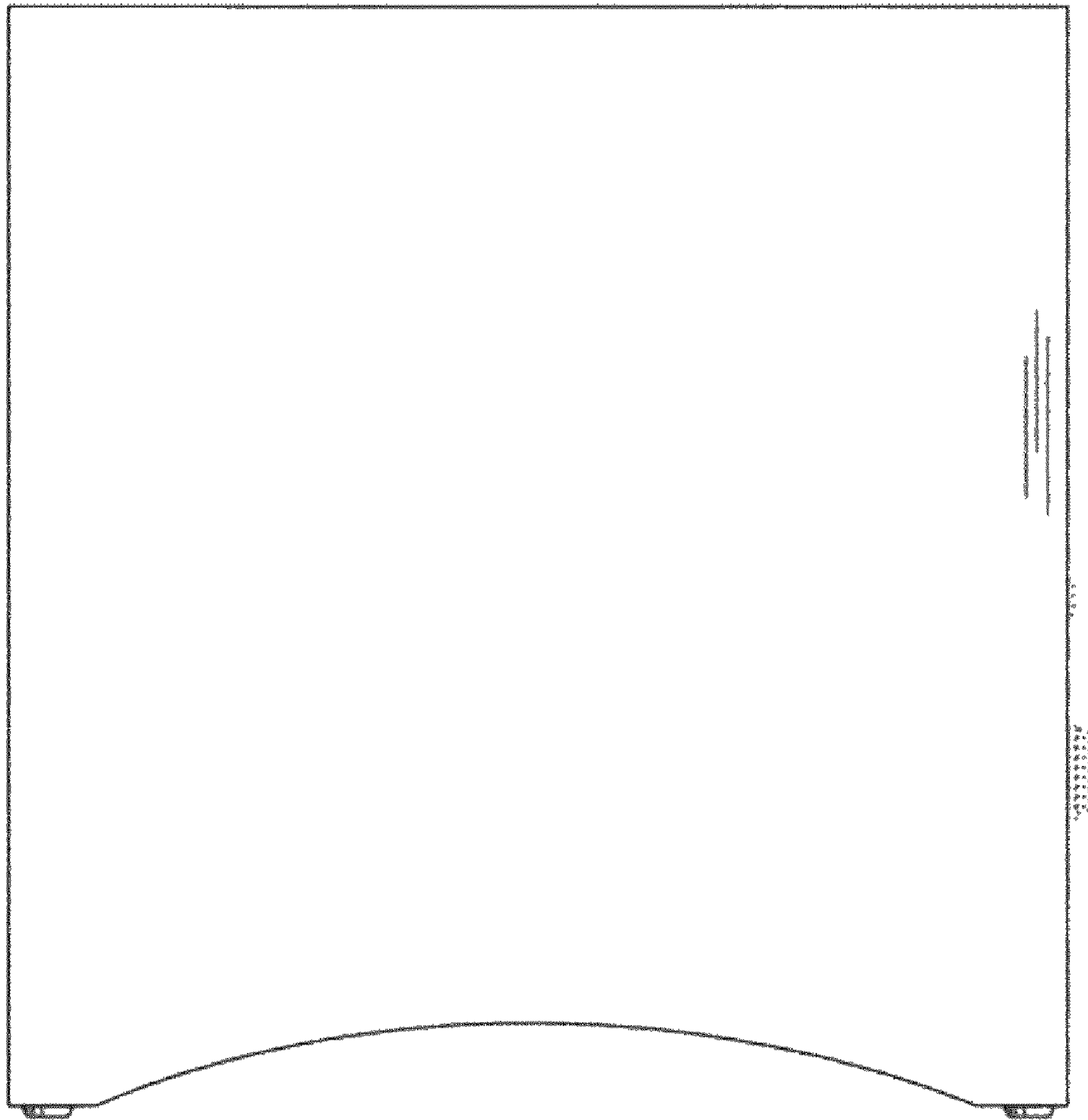


FIG. 2

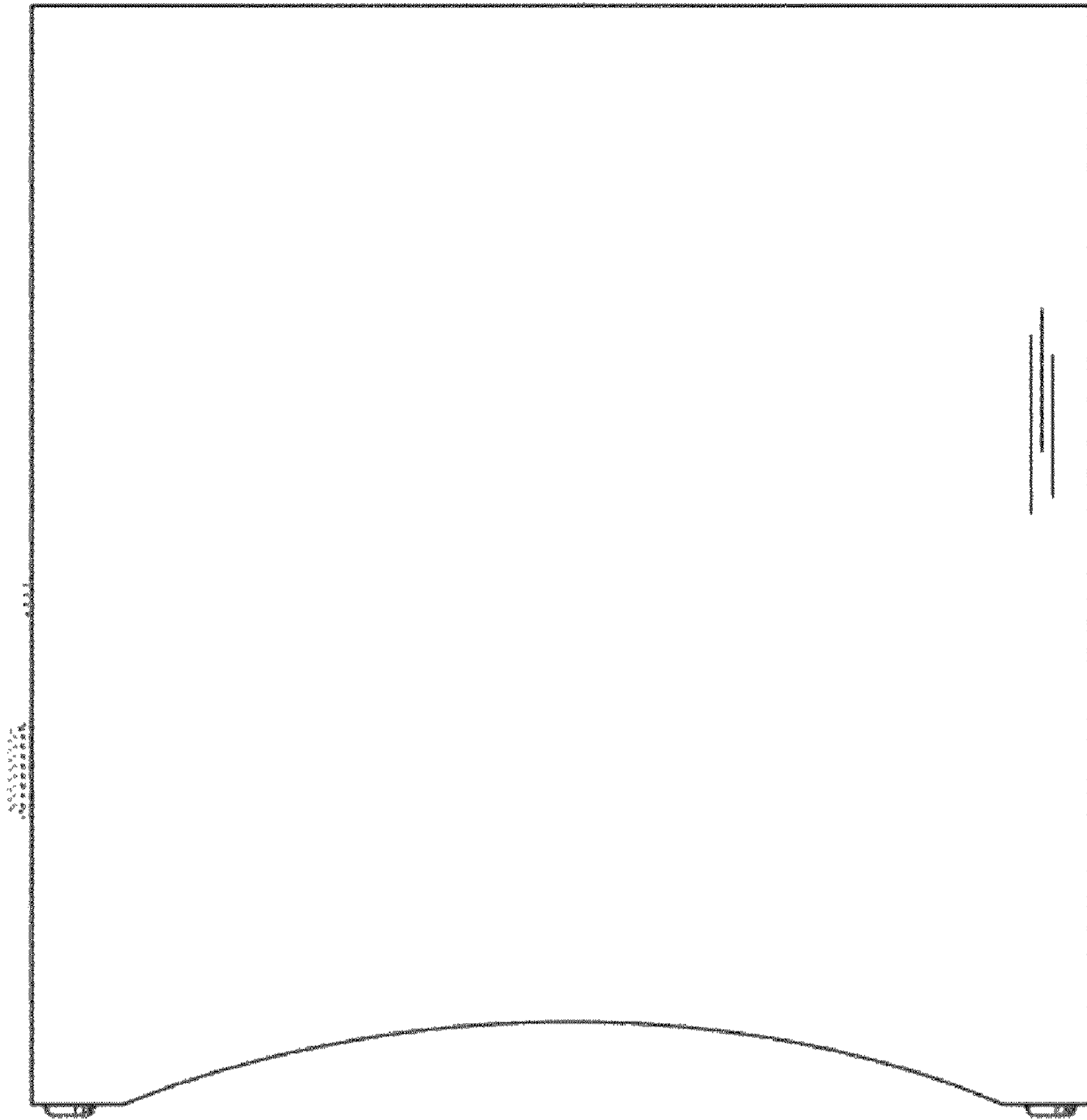


FIG. 3

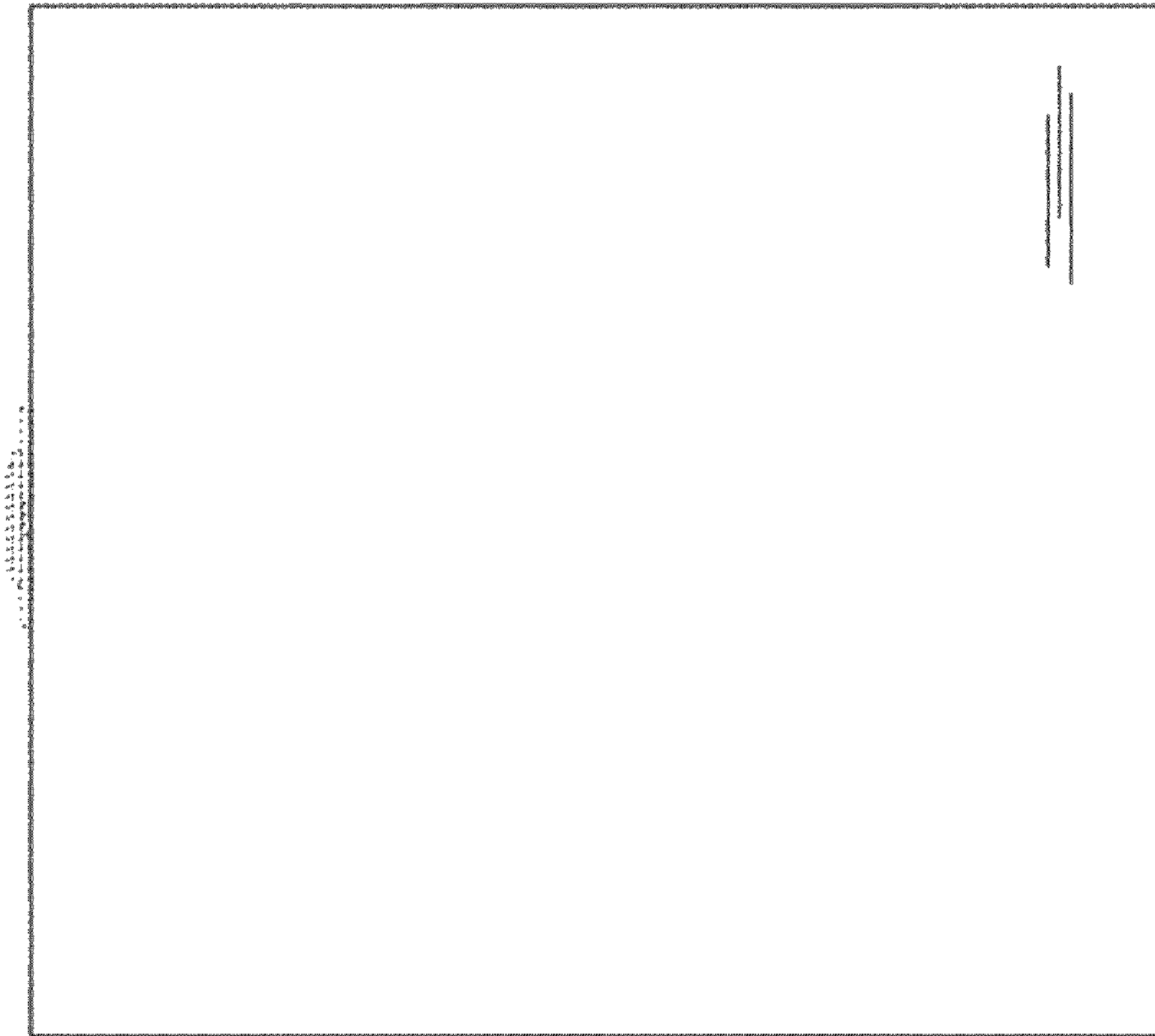


FIG. 4

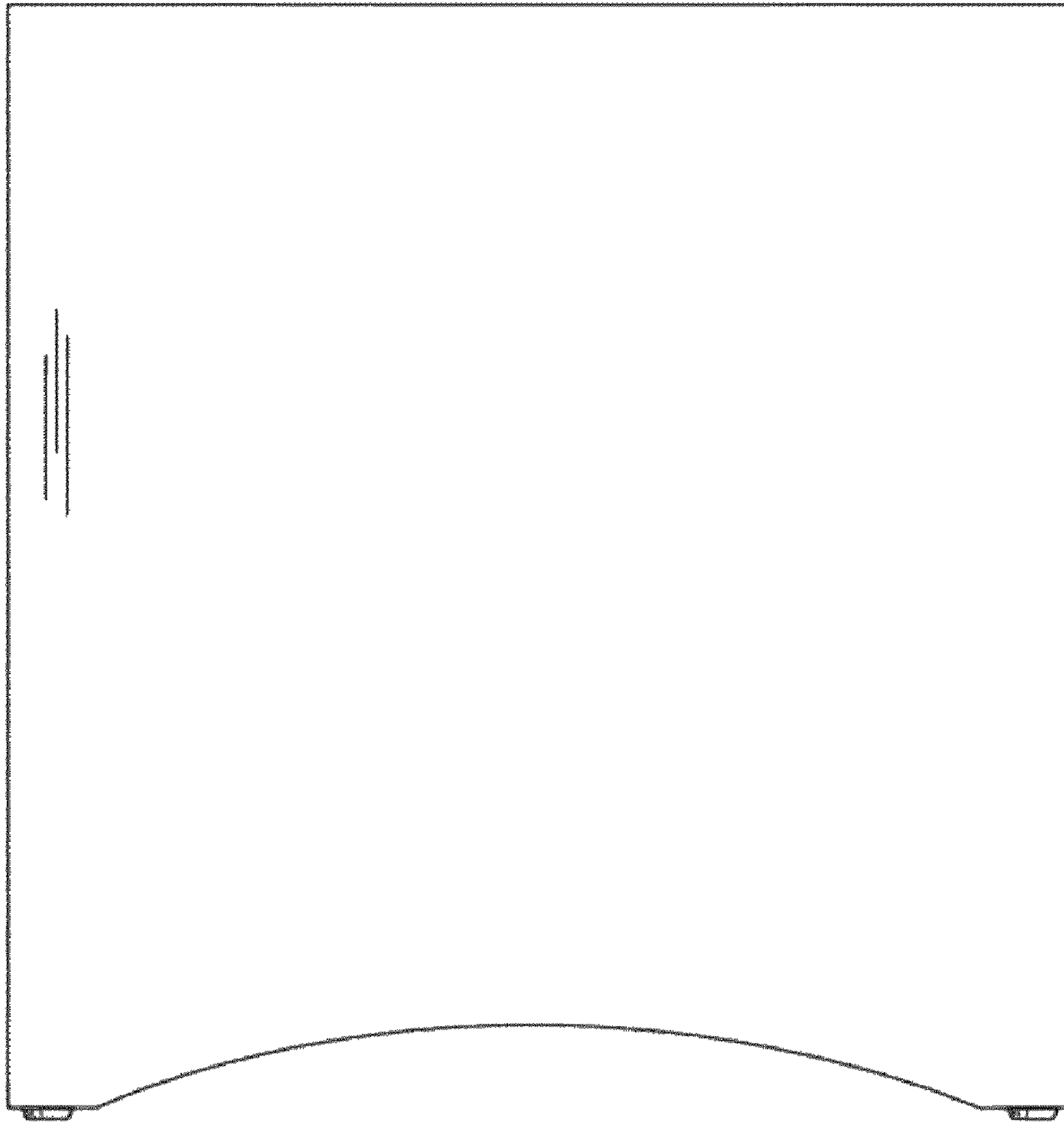


FIG. 5

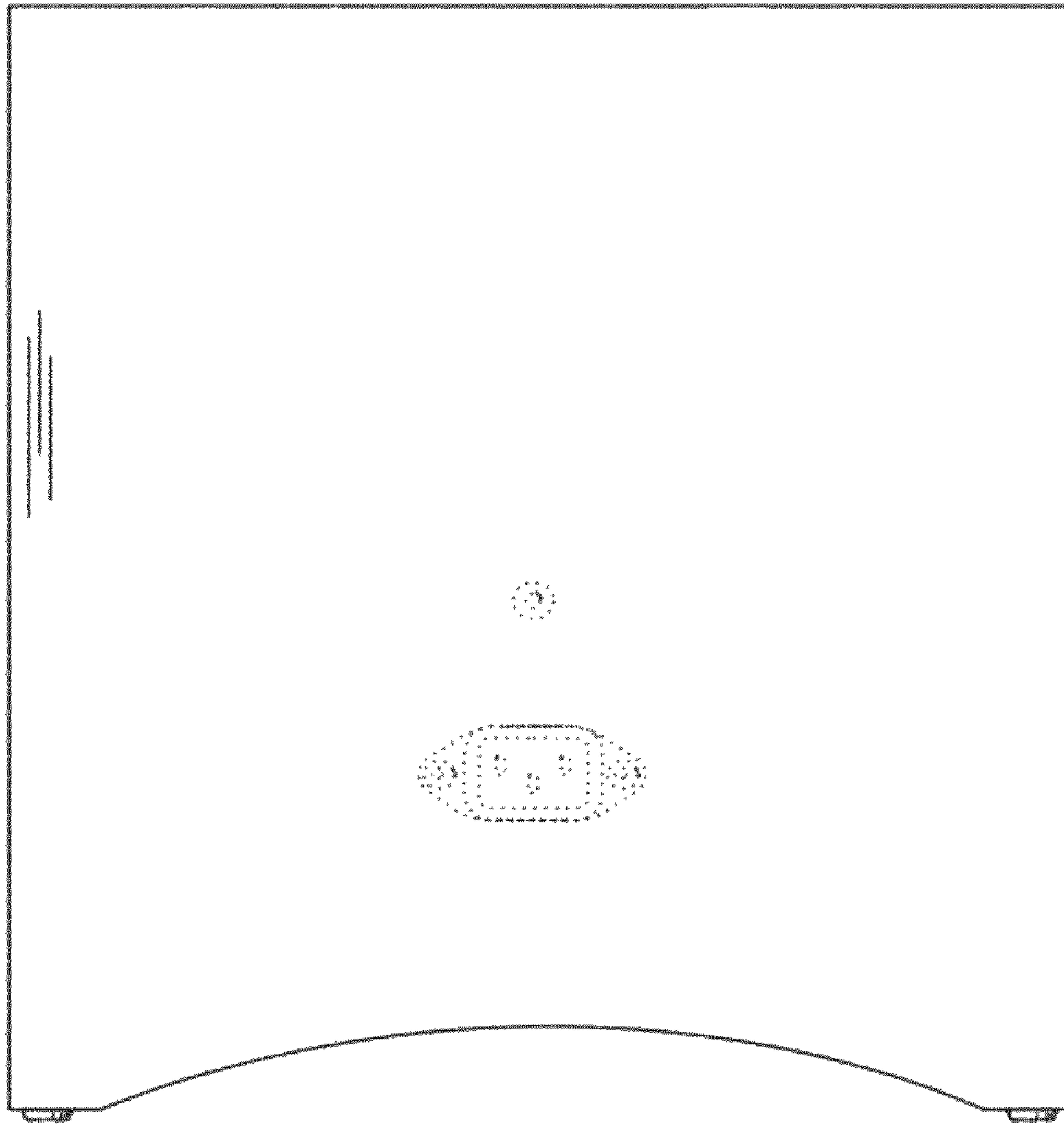


FIG. 6

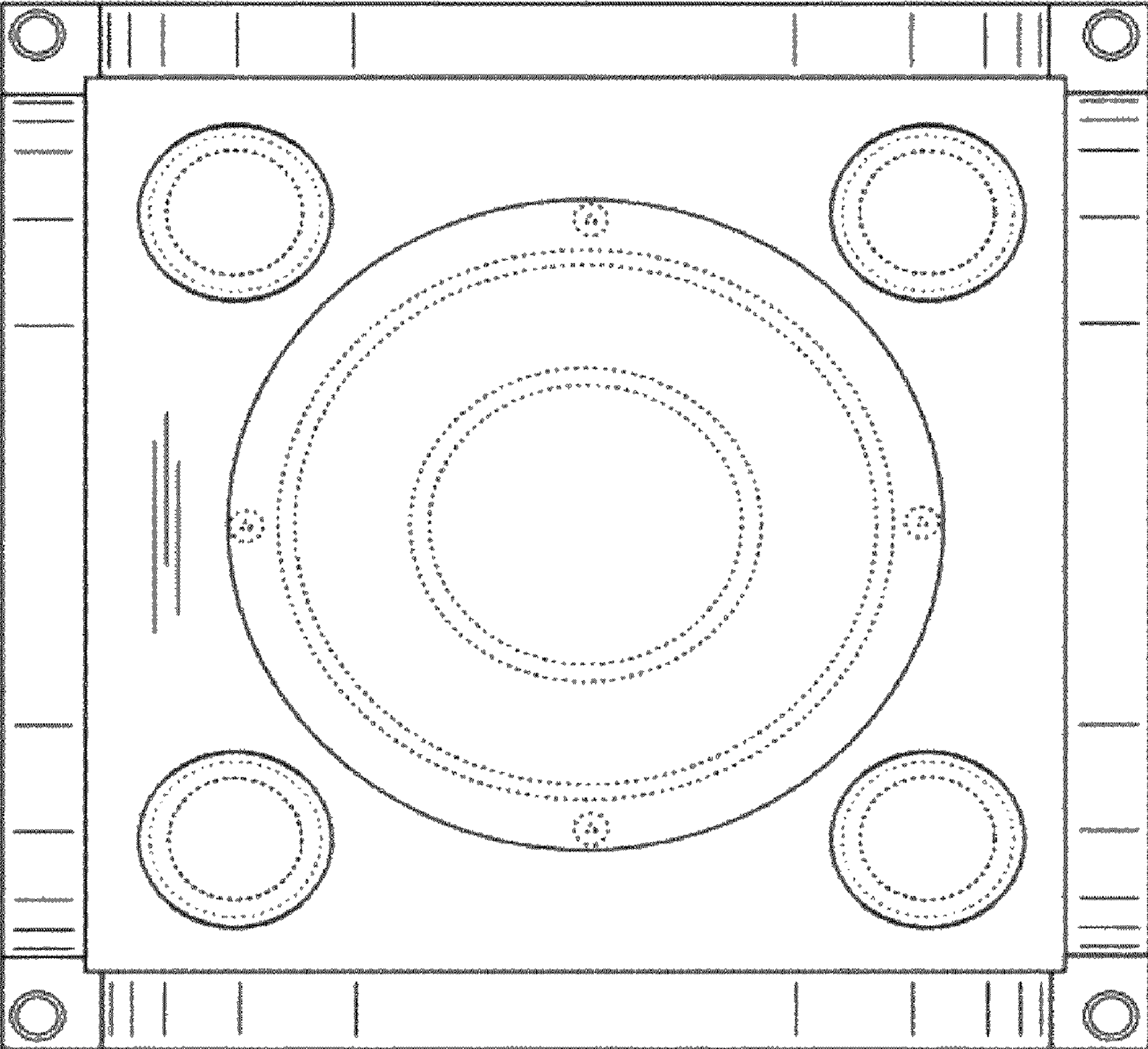


FIG. 7

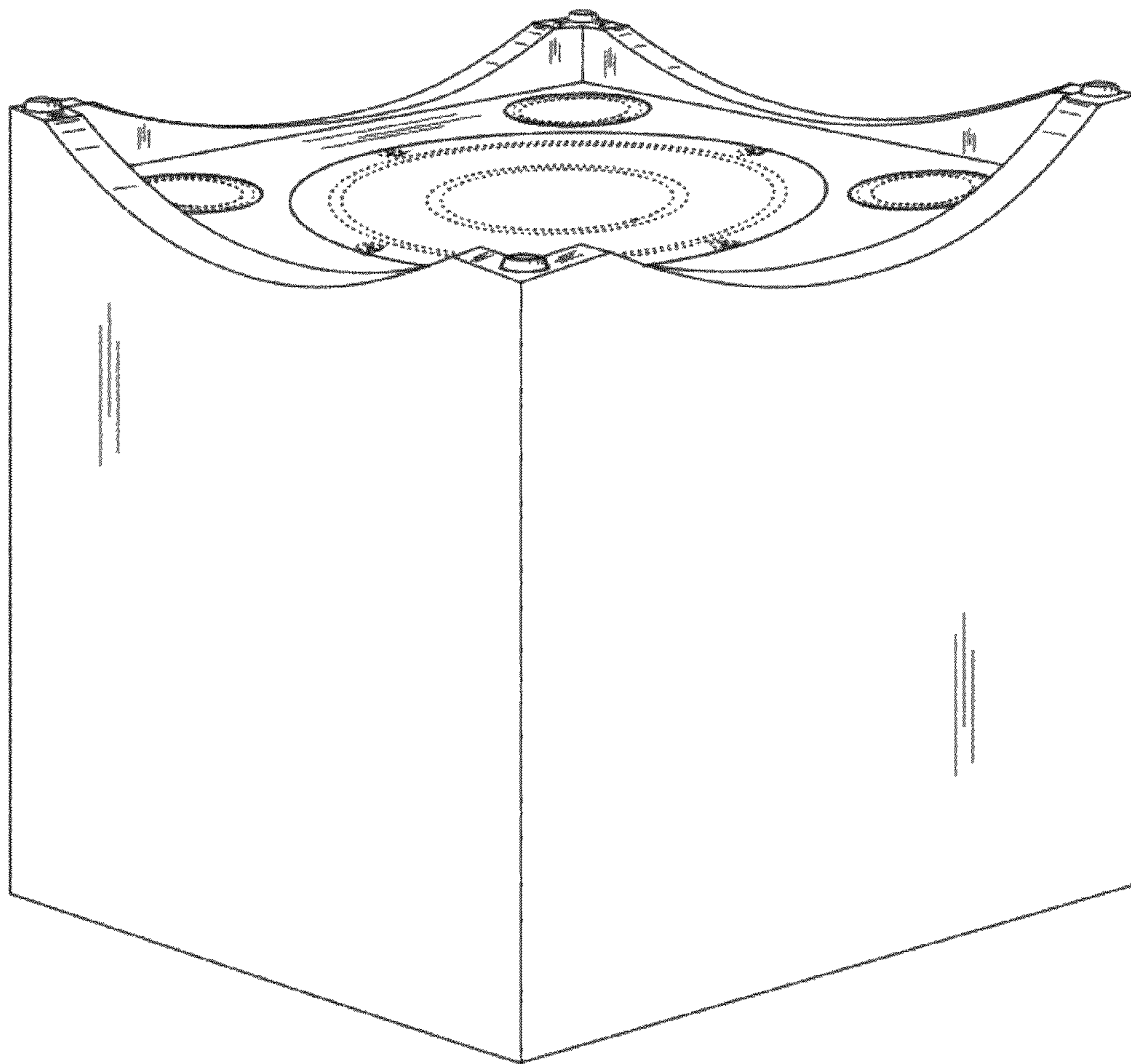


FIG. 8