



US00D654470S

(12) **United States Design Patent**  
**Nathan et al.**

(10) **Patent No.:** **US D654,470 S**  
(45) **Date of Patent:** **\*\* Feb. 21, 2012**

- (54) **SPEAKER ARRAY FOR JUKEBOX**
- (75) Inventors: **Guy Nathan**, Verdun (CA); **Eric Ferry**, Laval (CA)
- (73) Assignee: **TouchTones Music Corporation**, New York, NY (US)
- (\*\*) Term: **14 Years**
- (21) Appl. No.: **29/396,664**
- (22) Filed: **Jul. 5, 2011**

D316,858 S	5/1991	Gobindram	
D324,240 S	2/1992	Huang	
D328,202 S	7/1992	Tippit	
D329,852 S *	9/1992	Lee	D14/165
5,146,618 A *	9/1992	Wenner	455/345
D334,191 S *	3/1993	Yun	D14/165
D340,407 S	10/1993	Rahe et al.	
5,630,357 A	5/1997	Akiyama	
D381,983 S *	8/1997	Nagai	D14/168
5,771,778 A	6/1998	MacLean, IV	
D408,410 S *	4/1999	Zeitman	D14/162
D425,508 S *	5/2000	Fiebel et al.	D14/194
6,079,985 A	6/2000	Wohl et al.	
6,086,380 A	7/2000	Chu et al.	
6,346,951 B1	2/2002	Mastronardi	
D459,336 S *	6/2002	Ito et al.	D14/168
6,708,812 B2	3/2004	Greim	
6,714,489 B2	3/2004	Kalis et al.	
D494,188 S	8/2004	Huang	

**Related U.S. Application Data**

- (62) Division of application No. 29/371,159, filed on Nov. 2, 2010, now Pat. No. Des. 642,553, which is a division of application No. 29/347,706, filed on Apr. 15, 2010, now Pat. No. Des. 629,382, which is a division of application No. 29/300,065, filed on Feb. 15, 2008, now Pat. No. Des. 616,414.

- (51) **LOC (9) Cl.** ..... **14-01**
- (52) **U.S. Cl.** ..... **D14/173; D14/496; D14/217; D14/224**
- (58) **Field of Classification Search** ..... D14/496, D14/401, 435, 474, 483, 217, 137, 138, 160, D14/168, 356, 203.1-203.8, 507, 184, 173, D14/221, 224, 432, 497, 188, 194, 172, 183, D14/219, 265, 900; 345/156, 169, 173-179, 345/905; 715/727-729, 864; 710/1, 5, 8; 713/1, 600; 455/1.1, 1.7, 73, 344-347, 93, 455/95, 3.01-3.06, 550.1, 573.1; 370/342-344; 369/1, 2, 6-12; 463/43-47; 273/148 B  
See application file for complete search history.

(56) **References Cited**

**U.S. PATENT DOCUMENTS**

D146,176 S	1/1947	Fuller
4,336,935 A	6/1982	Goldfarb

(Continued)

**OTHER PUBLICATIONS**

U.S. Appl. No. 29/371,159, Nathan et al., filed Nov. 2, 2010.

*Primary Examiner* — Prabhakar Deshmukh

(74) *Attorney, Agent, or Firm* — Nixon & Vanderhye PC

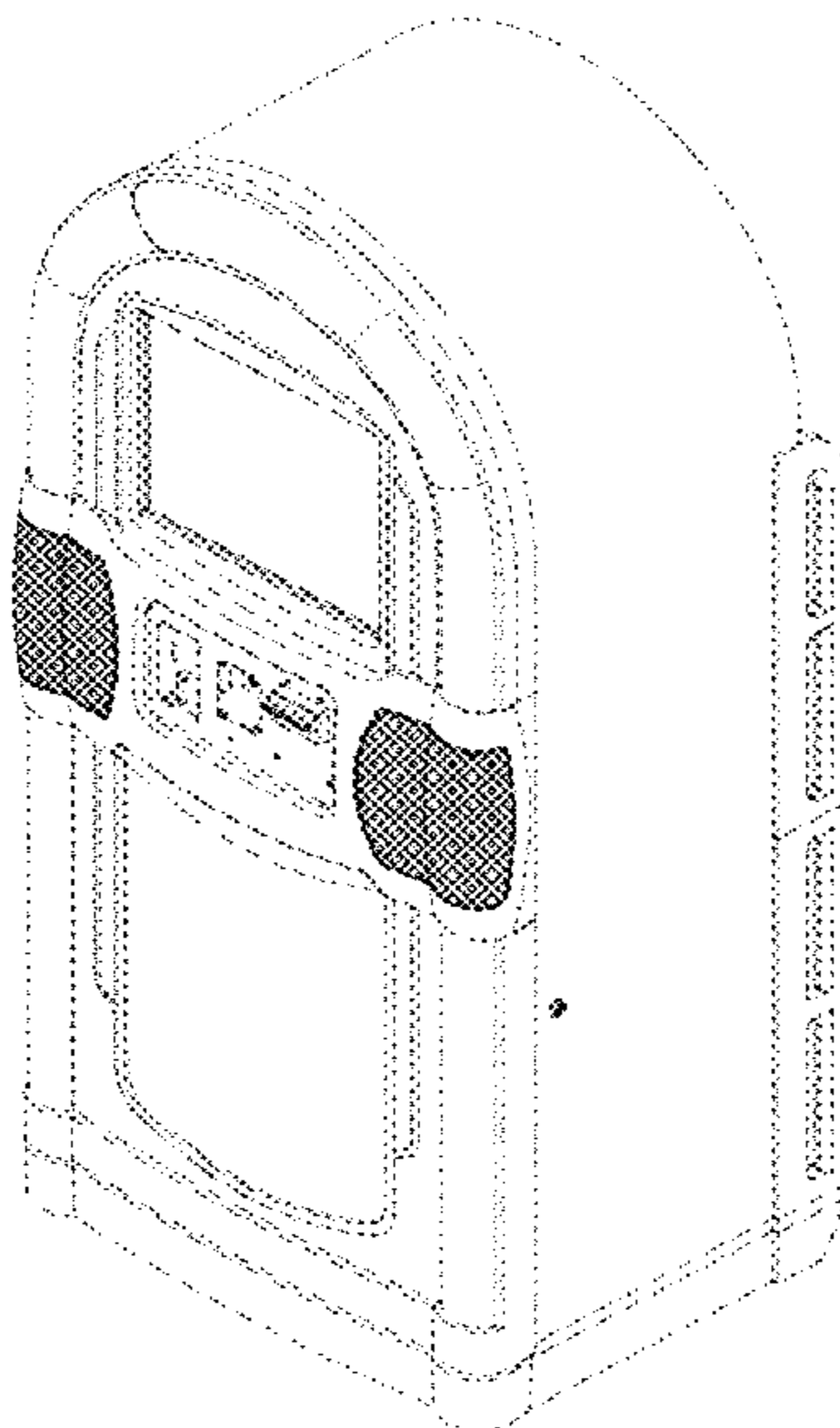
(57) **CLAIM**

The ornamental design for a speaker array for a jukebox, as shown and described.

**DESCRIPTION**

FIG. 1 is a front perspective view of a speaker array for a jukebox showing our new design; FIG. 2 is a front elevation view thereof; and, FIG. 3 is a right side elevation view thereof, the left side elevation view being a mirror image thereof. The dashed lines shown represent environmental structure and form no part of the claimed design.

**1 Claim, 3 Drawing Sheets**



# US D654,470 S

Page 2

---

## U.S. PATENT DOCUMENTS

6,779,904 B1 8/2004 Van Dyk  
D498,558 S 11/2004 Kwok  
D499,083 S \* 11/2004 Tanaka ..... D14/168  
D524,287 S \* 7/2006 Hibi ..... D14/168  
7,152,739 B1 12/2006 Burleson

D547,299 S \* 7/2007 Obata ..... D14/168  
D616,414 S 5/2010 Nathan et al.  
D629,382 S 12/2010 Nathan et al.  
D642,553 S \* 8/2011 Nathan et al. .... D14/173

\* cited by examiner

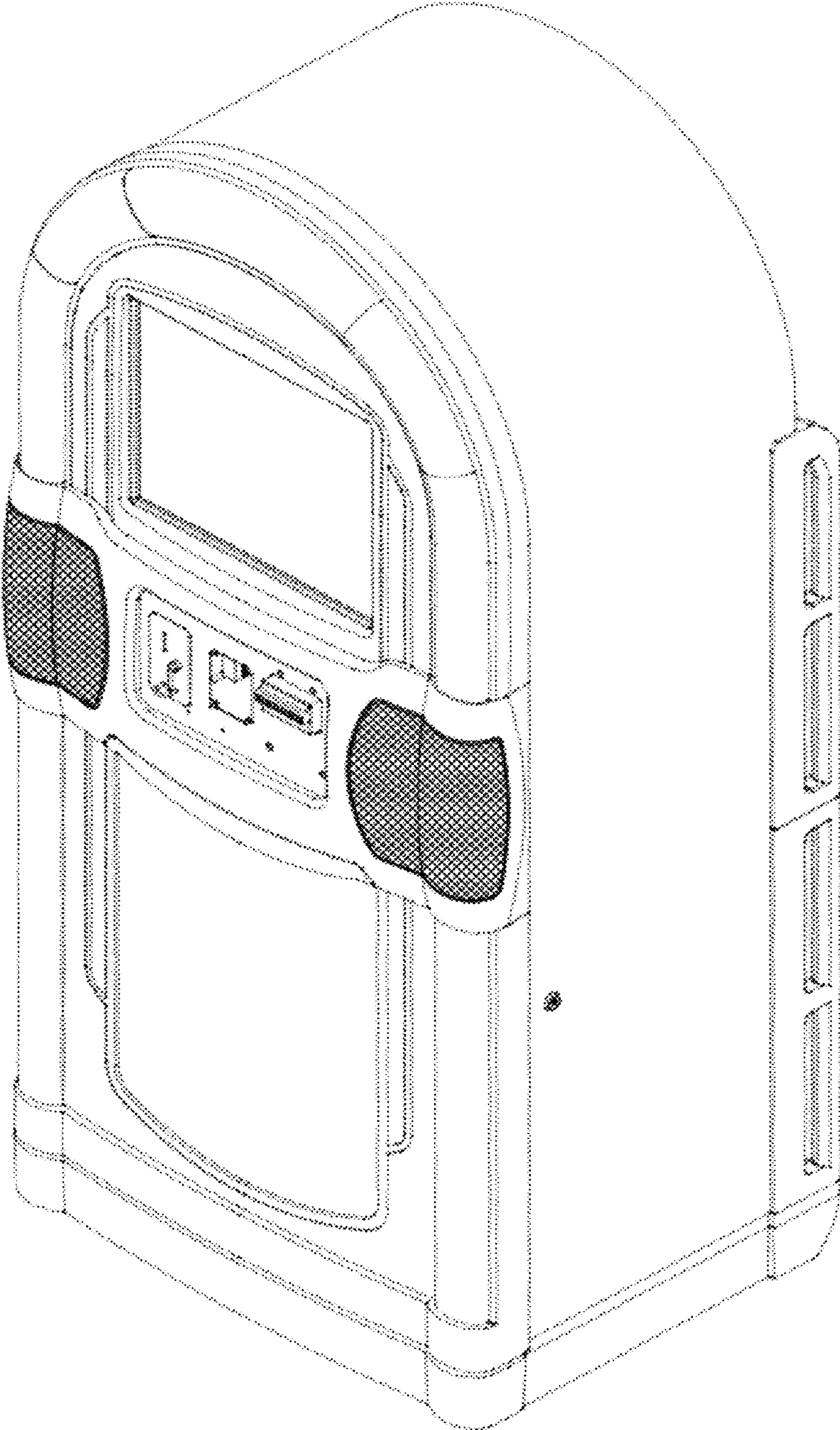


Fig. 1

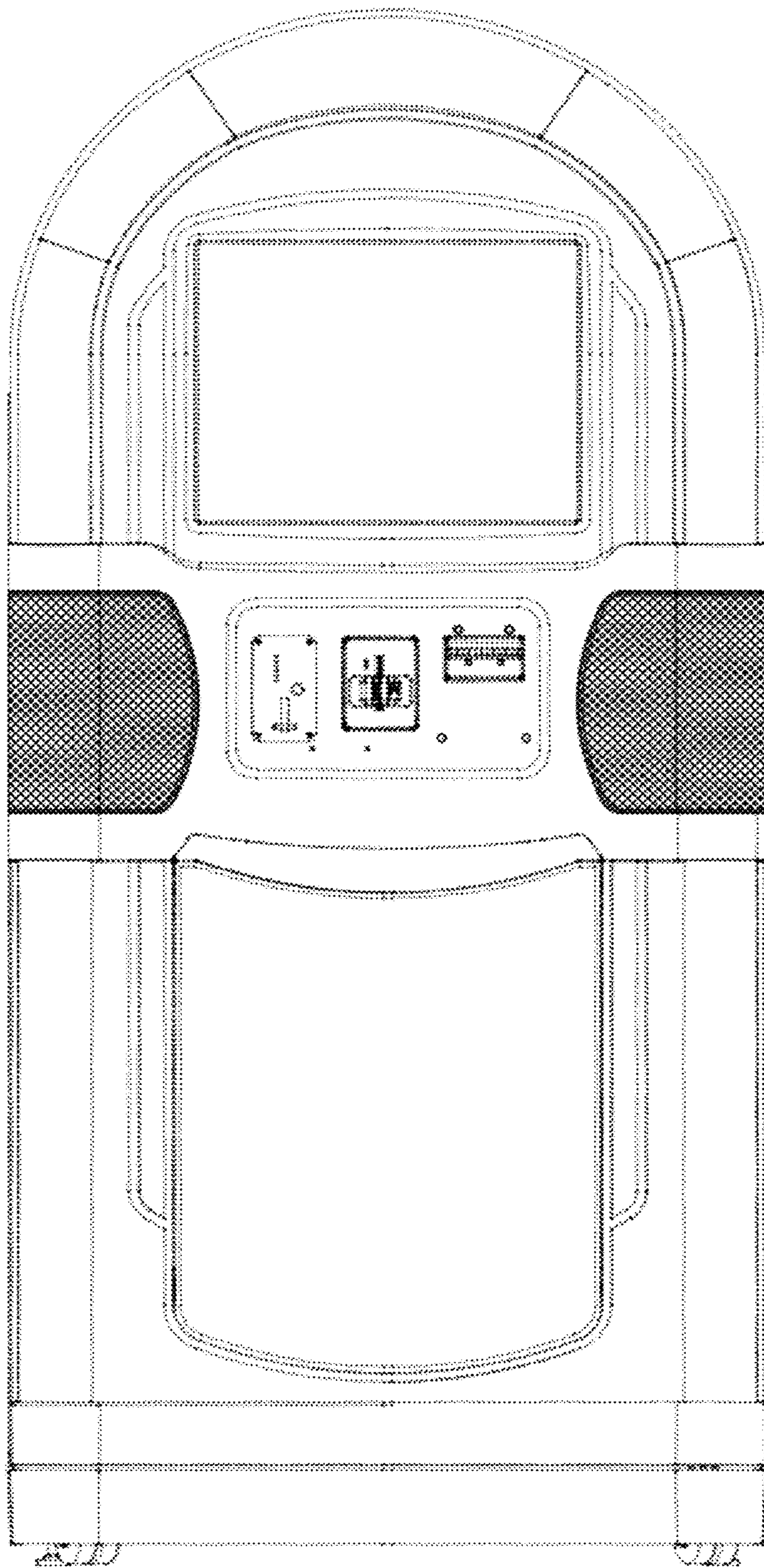


Fig. 2

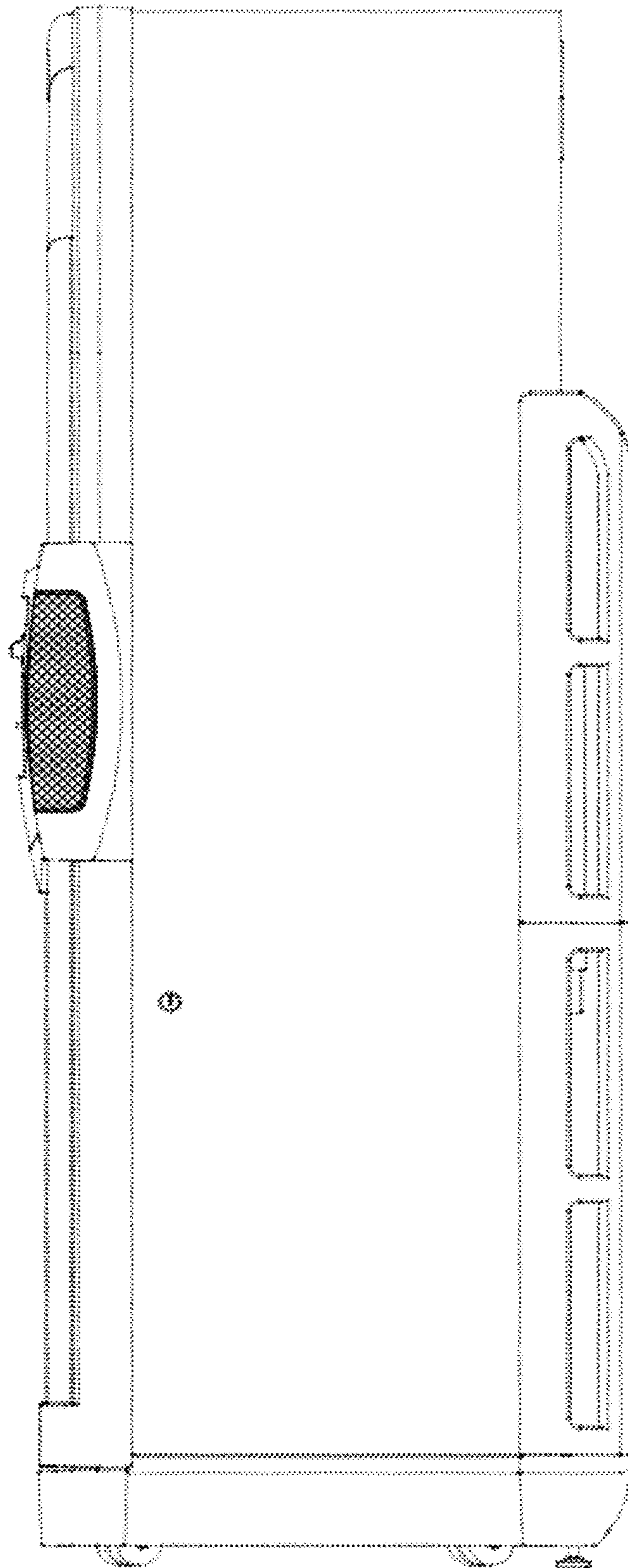


Fig. 3