



US00D654469S

(12) **United States Design Patent**  
**Kawase**

(10) **Patent No.:** **US D654,469 S**  
(45) **Date of Patent:** **\*\* Feb. 21, 2012**

(54) **PORTABLE RADIO WITH FLASHLIGHT**

*Primary Examiner* — Nanda Bondade

(75) Inventor: **Tomonori Kawase**, Anjo (JP)

(74) *Attorney, Agent, or Firm* — Global IP Counselors, LLP

(73) Assignee: **Makita Corporation**, Anjo-shi (JP)

(\*\*) Term: **14 Years**

(57) **CLAIM**

(21) Appl. No.: **29/385,971**

The ornamental design for a portable radio with flashlight, as shown and described.

(22) Filed: **Feb. 23, 2011**

(30) **Foreign Application Priority Data**

**DESCRIPTION**

Nov. 26, 2010 (JP) ..... 2010-028280

(51) **LOC (9) Cl.** ..... **14-01**

(52) **U.S. Cl.** ..... **D14/168; D26/38**

(58) **Field of Classification Search** ..... D14/204,  
D14/210–216, 168, 172; 181/143–144, 147–148,  
181/150–153, 157, 198–199; 381/300–303,  
381/306, 332–333, 336, 345, 361–364, 386–388;  
D26/38–52

See application file for complete search history.

FIG. 1 is a perspective view of a portable radio with flashlight in accordance with my new design;

FIG. 2 is a left side elevational view of the portable radio with flashlight in accordance with my new design;

FIG. 3 is a right side elevational view of the portable radio with flashlight in accordance with my new design;

FIG. 4 is a front elevational view of the portable radio with flashlight in accordance with my new design;

FIG. 5 is a rear elevational view of the portable radio with flashlight in accordance with my new design;

FIG. 6 is a top plan view of the portable radio with flashlight in accordance with my new design; and,

FIG. 7 is a bottom plan view of the portable radio with flashlight in accordance with my new design.

The broken line showing of environment in FIGS. 1-7 is for illustrative purposes only and forms no part of the claimed design.

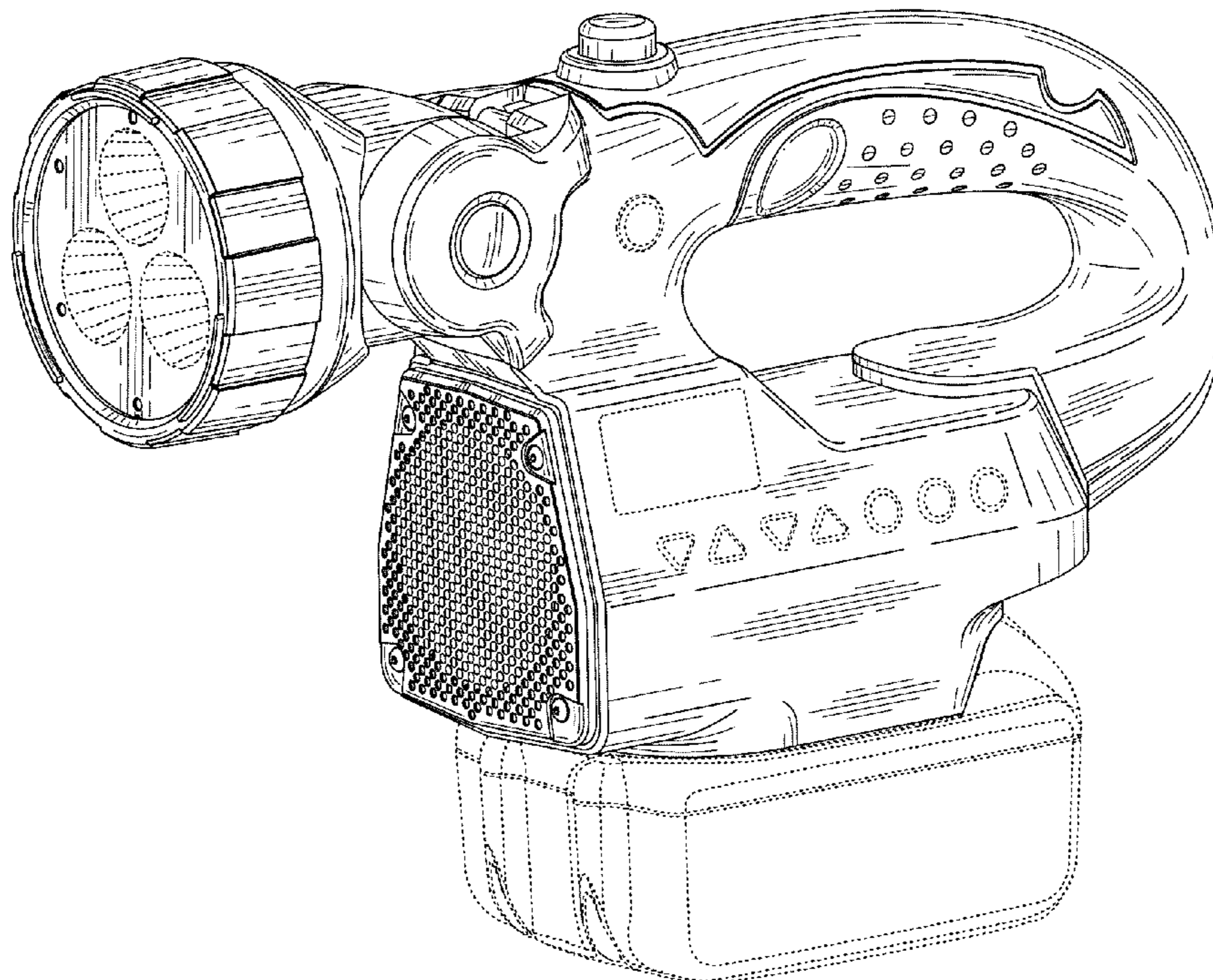
(56) **References Cited**

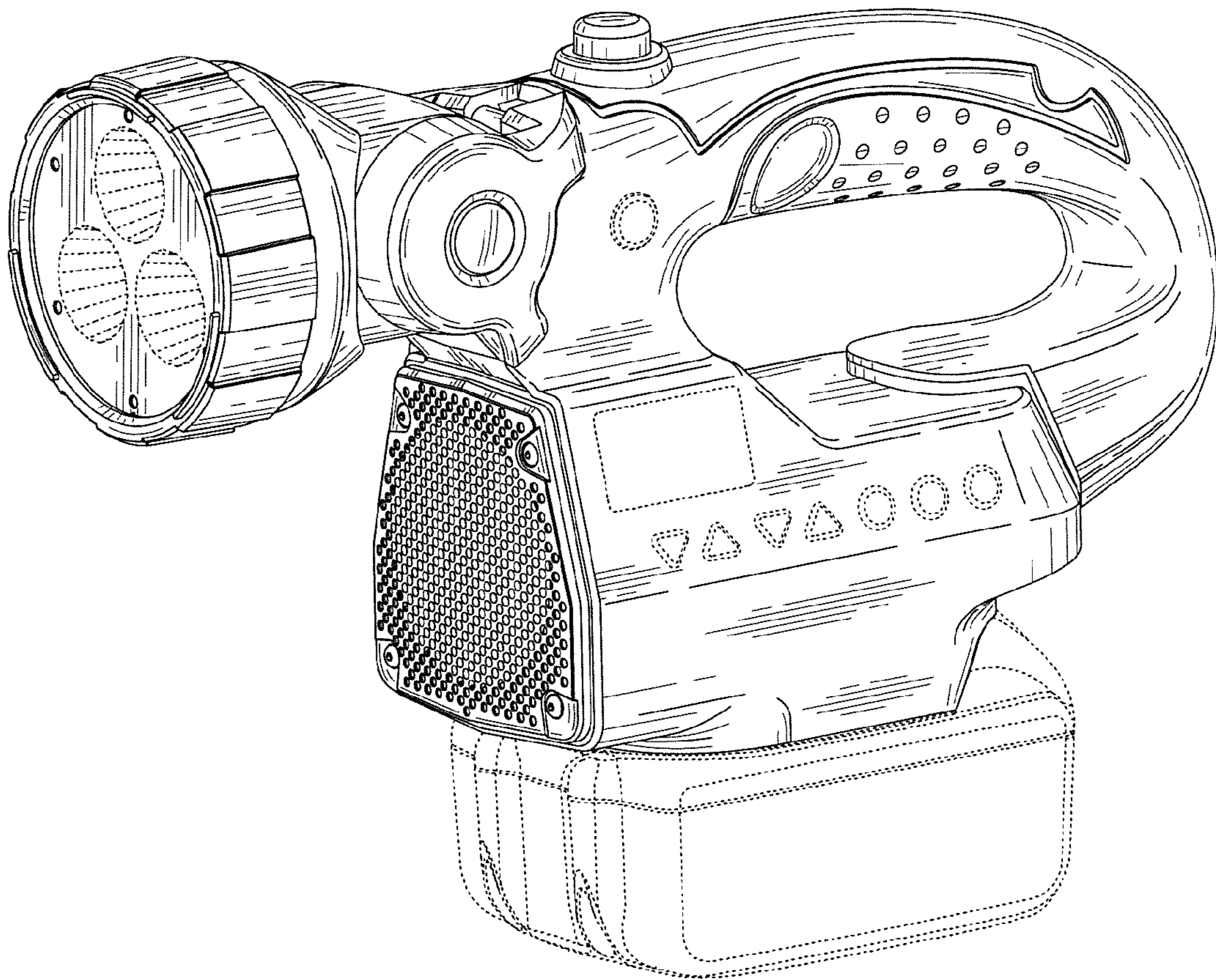
**U.S. PATENT DOCUMENTS**

D449,899 S	10/2001	Hayakawa et al.	
D468,038 S *	12/2002	Poon	D26/38
D474,552 S *	5/2003	Poon	D26/38
D533,528 S *	12/2006	Krieger et al.	D26/38
D599,924 S *	9/2009	Schoch	D26/44
D623,784 S	9/2010	Yamamoto	

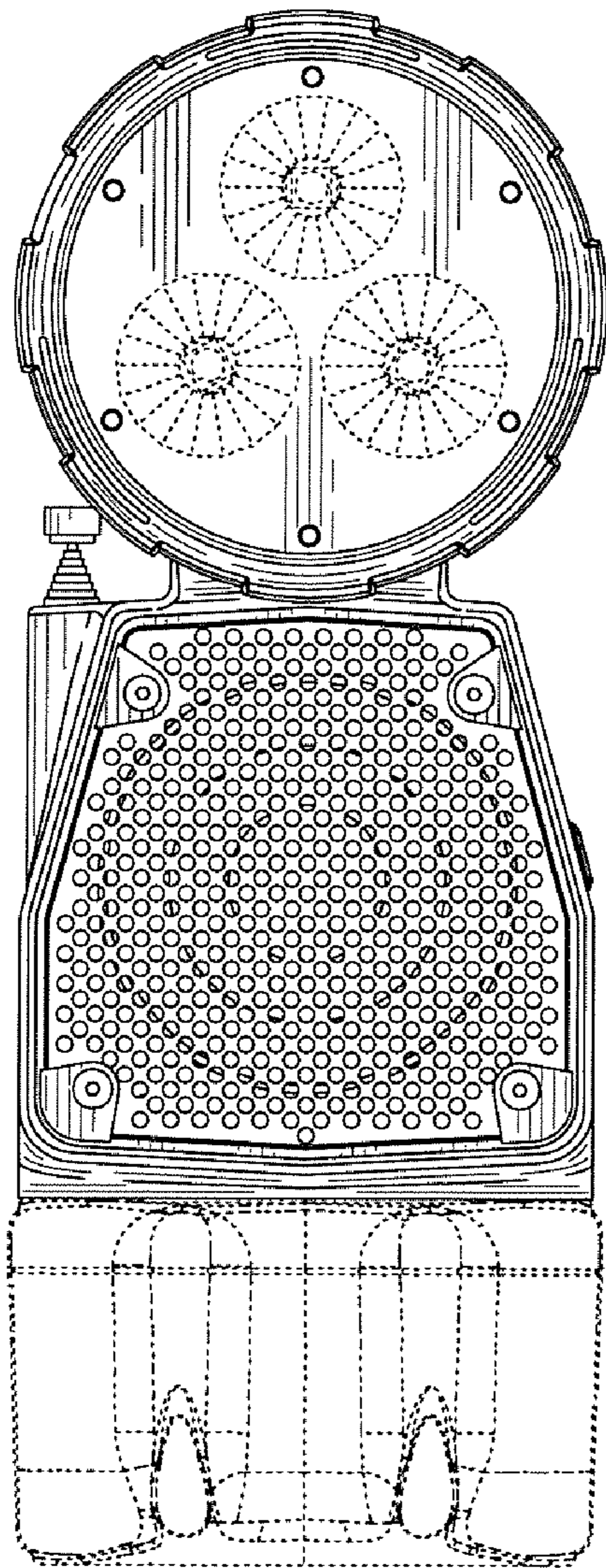
\* cited by examiner

**1 Claim, 5 Drawing Sheets**

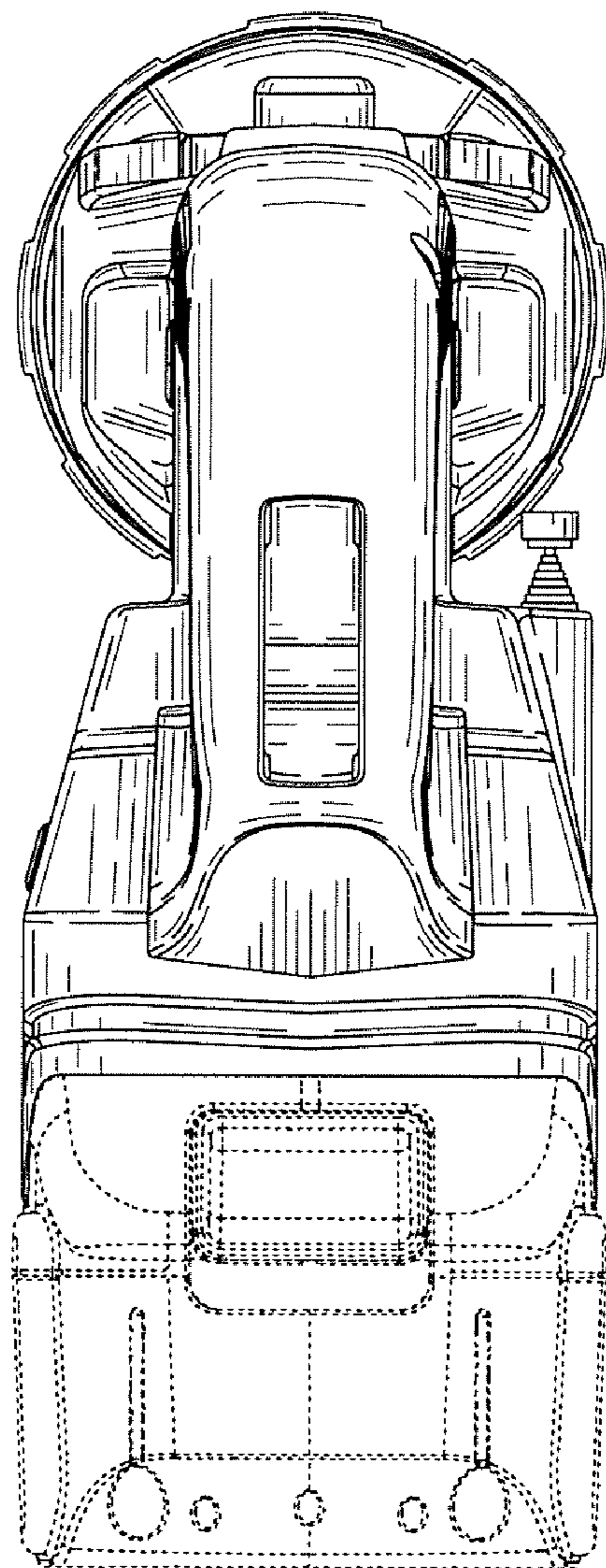




**FIG. 1**



**FIG. 2**



**FIG. 3**

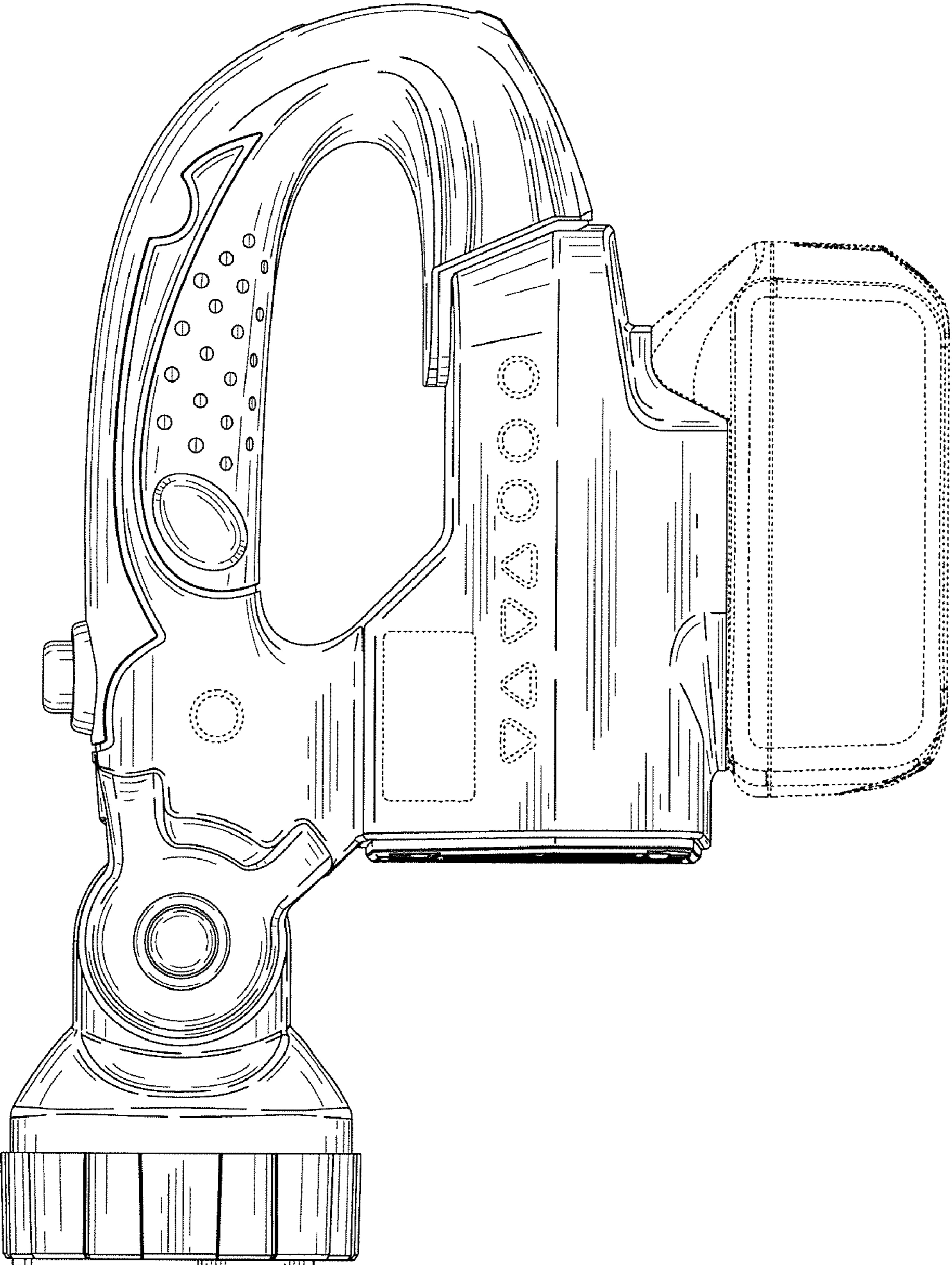


FIG. 4

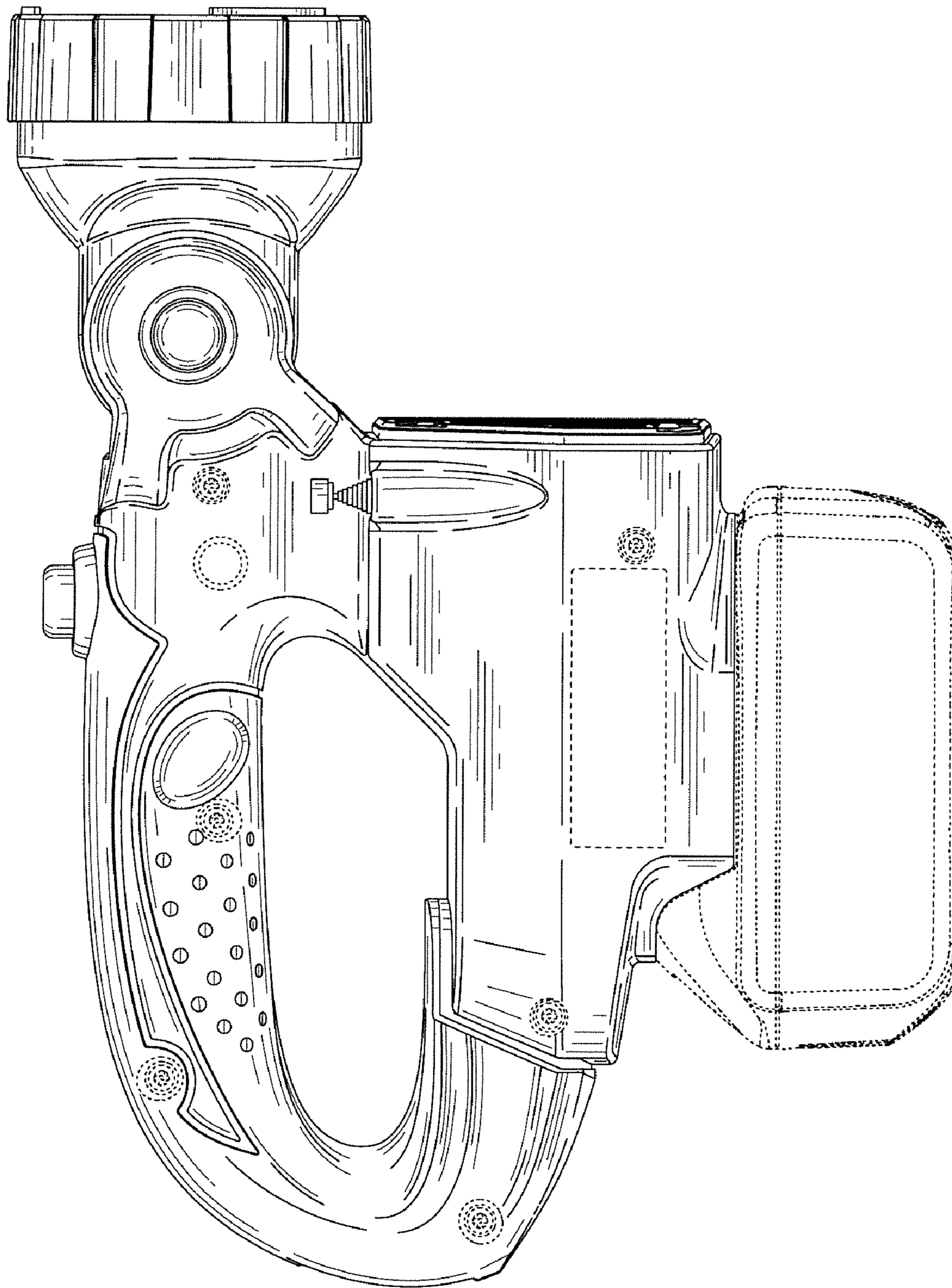
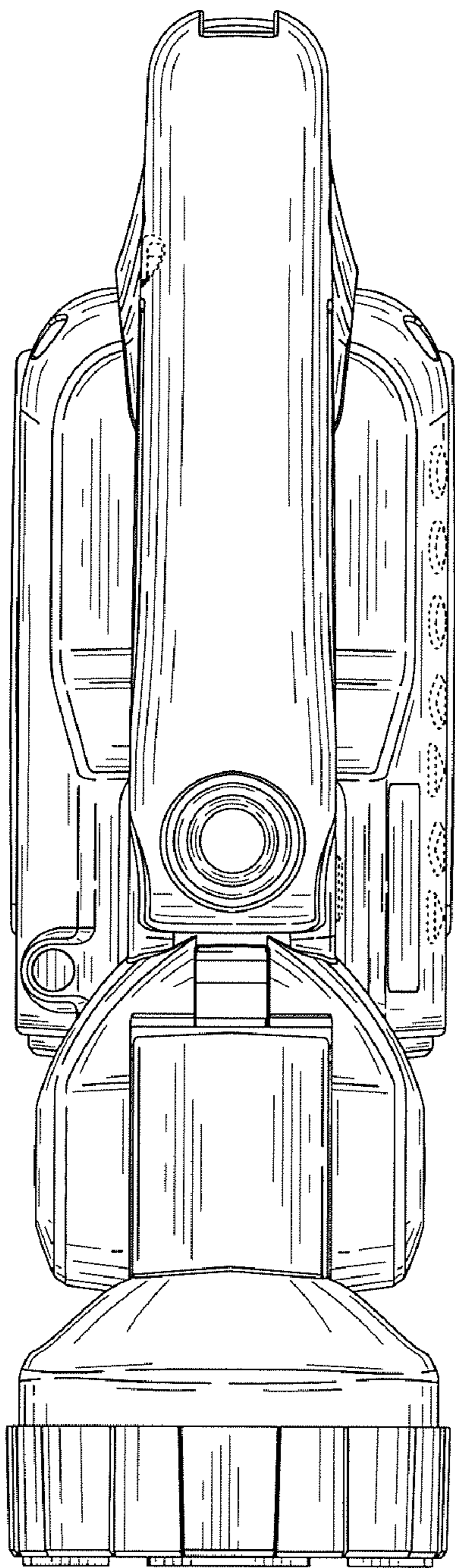
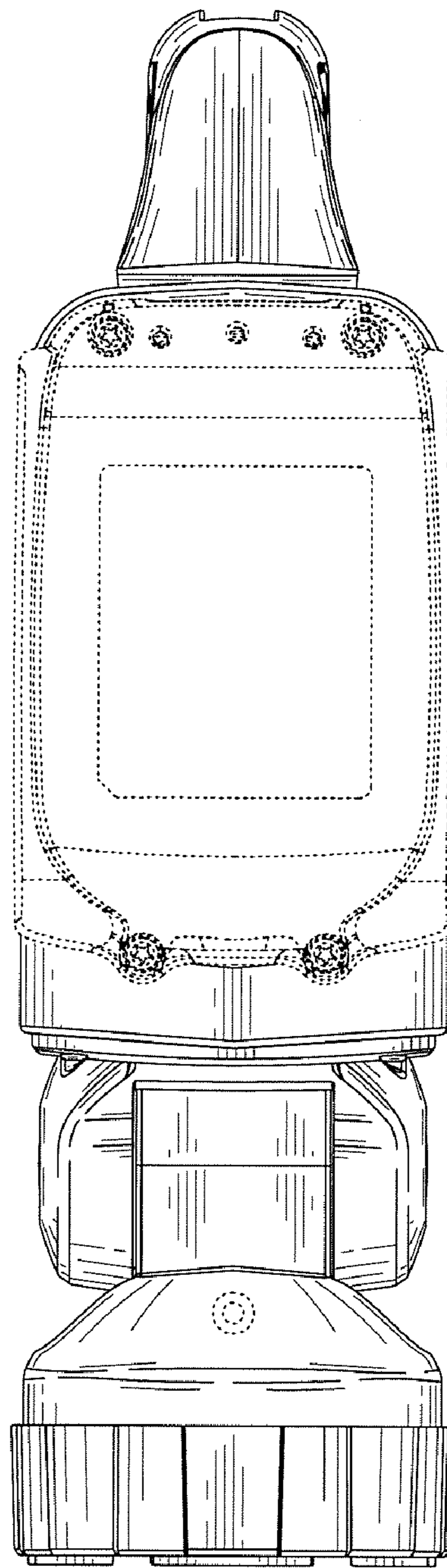


FIG. 5



**FIG. 6**



**FIG. 7**